



US00D852203S

(12) **United States Design Patent**
Rui

(10) **Patent No.:** **US D852,203 S**

(45) **Date of Patent:** **** Jun. 25, 2019**

(54) **TABLET SUPPORT**

(71) Applicant: **WIN 2000 TELECOM CO., LTD.**,
Dongguan (CN)

(72) Inventor: **Yajun Rui**, Dongguan (CN)

(73) Assignee: **WIN 2000 TELECOM CO., LTD.**,
Dongguan (CN)

(**) Term: **15 Years**

(21) Appl. No.: **29/613,493**

(22) Filed: **Aug. 10, 2017**

(51) **LOC (11) Cl.** **08-07**

(52) **U.S. Cl.**
USPC **D14/447**

(58) **Field of Classification Search**
USPC D14/447, 432, 434, 439, 440, 451, 452,
D14/457, 239; D8/363, 373, 380;
D6/406.3, 406.4, 406.5, 406.6; D12/415;
D13/108, 144

See application file for complete search history.

(56) **References Cited**

U.S. PATENT DOCUMENTS

D643,843 S * 8/2011 Hsieh D14/440
D672,353 S * 12/2012 Liu D14/440
D676,449 S * 2/2013 Probst D14/440

D677,668 S * 3/2013 Phillips D14/440
D687,439 S * 8/2013 May D14/447
D687,832 S * 8/2013 Edwards D14/447
D706,783 S * 6/2014 Almodova D14/440
D732,545 S * 6/2015 Apter D14/447
D733,154 S * 6/2015 Armstrong D14/440
D750,089 S * 2/2016 Langhein H04M 1/04
D14/447
D761,263 S * 7/2016 Brinkman D14/440
D763,853 S * 8/2016 Pearce D14/440
D770,458 S * 11/2016 Corcoran D14/440

* cited by examiner

Primary Examiner — Angela J Lee

(74) *Attorney, Agent, or Firm* — Muncy, Geissler, Olds & Lowe, P.C.

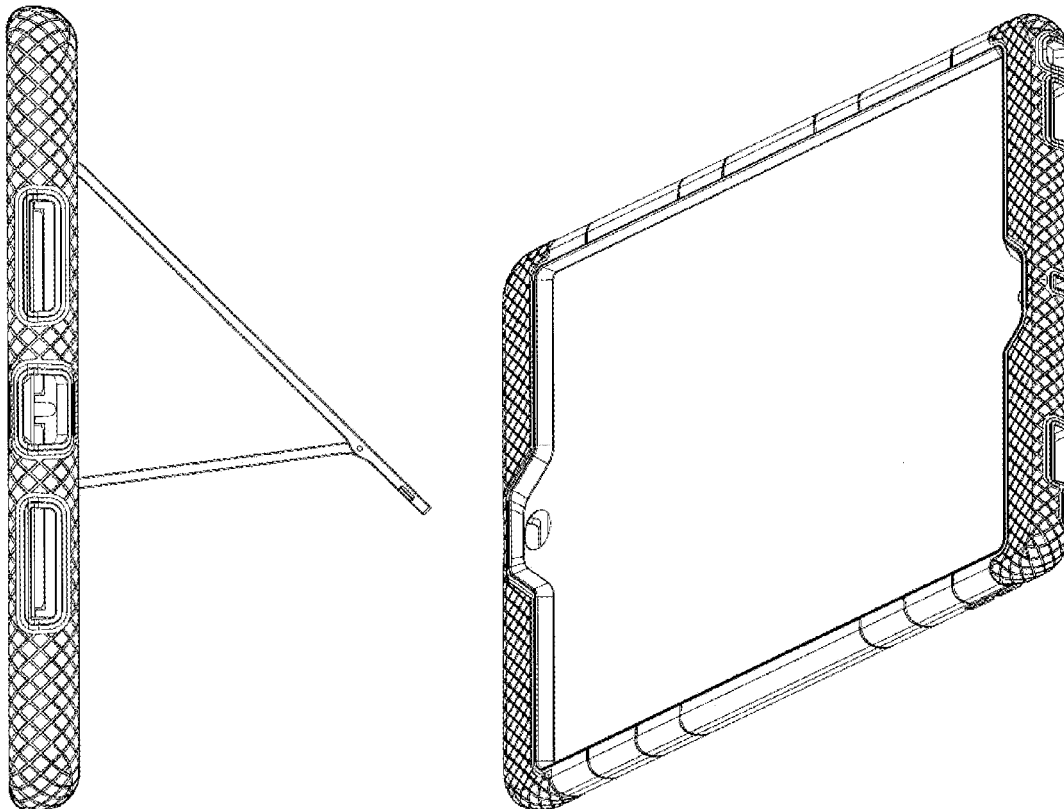
(57) **CLAIM**

The ornamental design for a tablet support, as shown and described.

DESCRIPTION

FIG. 1 is a Front elevational view of a tablet support showing my new design;
FIG. 2 is a Left side view thereof;
FIG. 3 is a Right side view thereof;
FIG. 4 is a Top plan view view thereof;
FIG. 5 is a Bottom plan view thereof; and,
FIG. 6 is a Perspective view thereof.

1 Claim, 6 Drawing Sheets



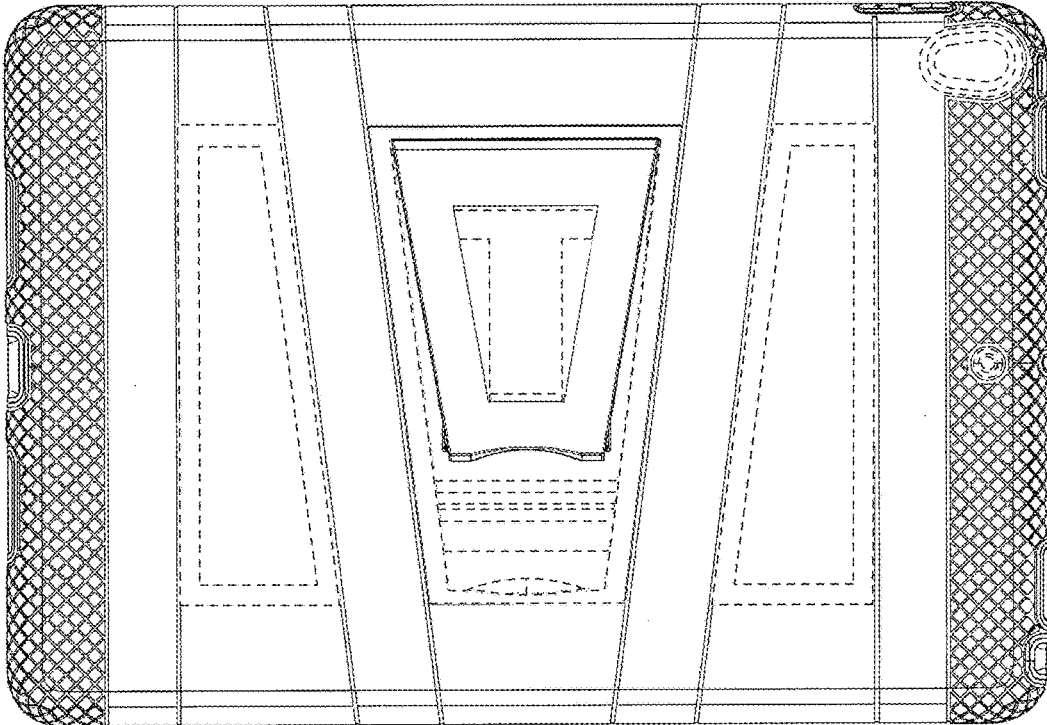


FIG.1

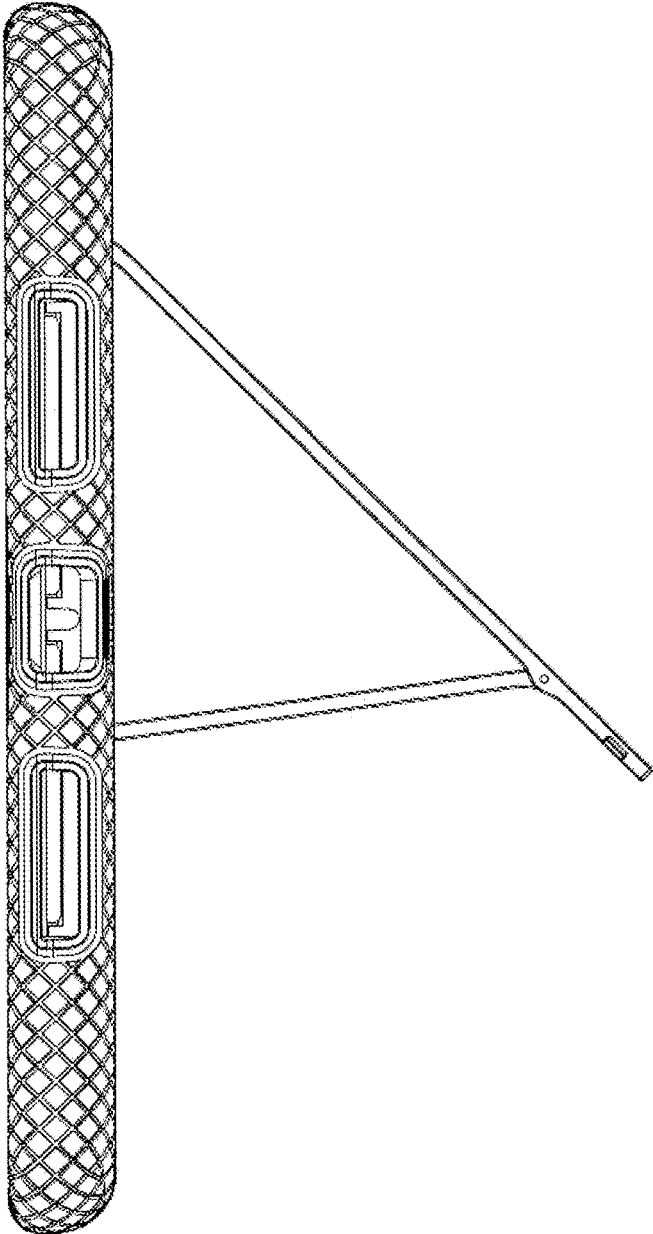


FIG.2

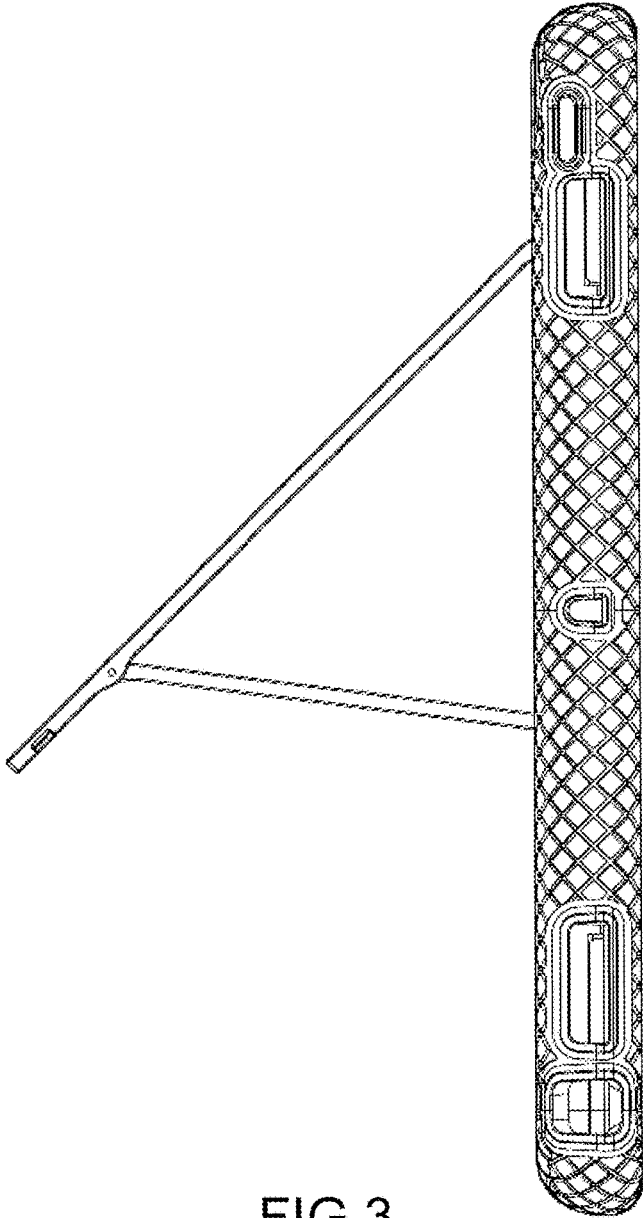


FIG.3

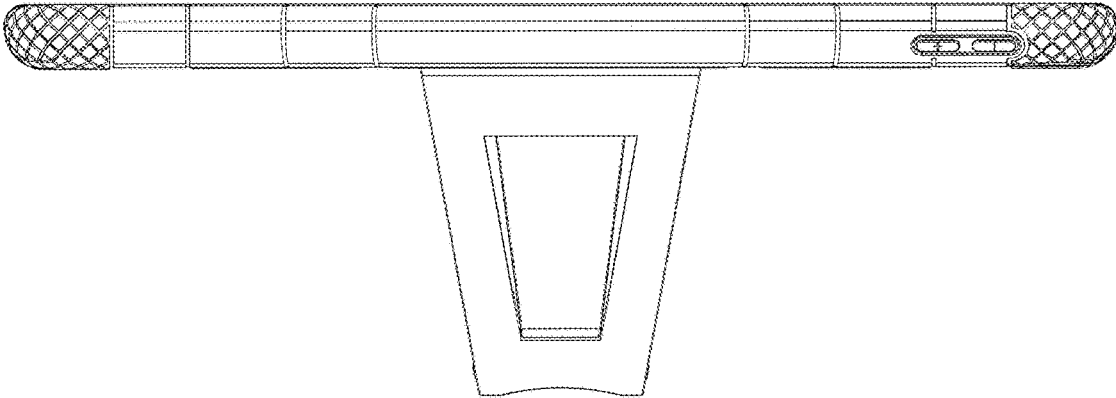


FIG.4

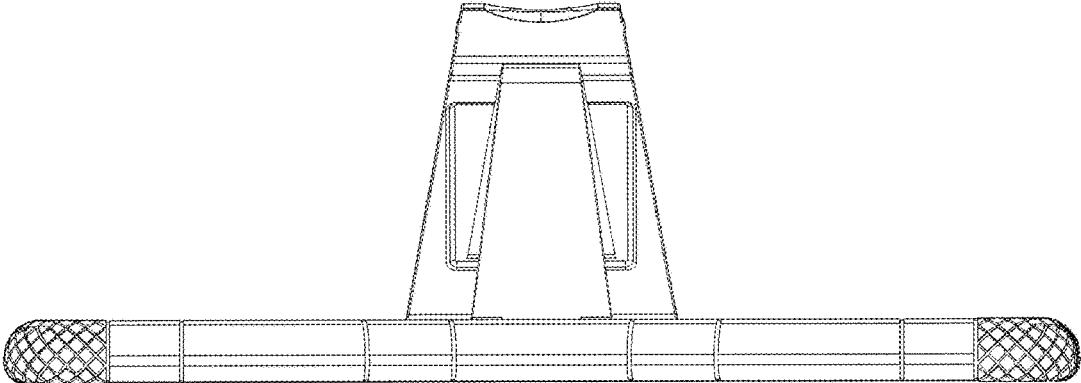


FIG. 5

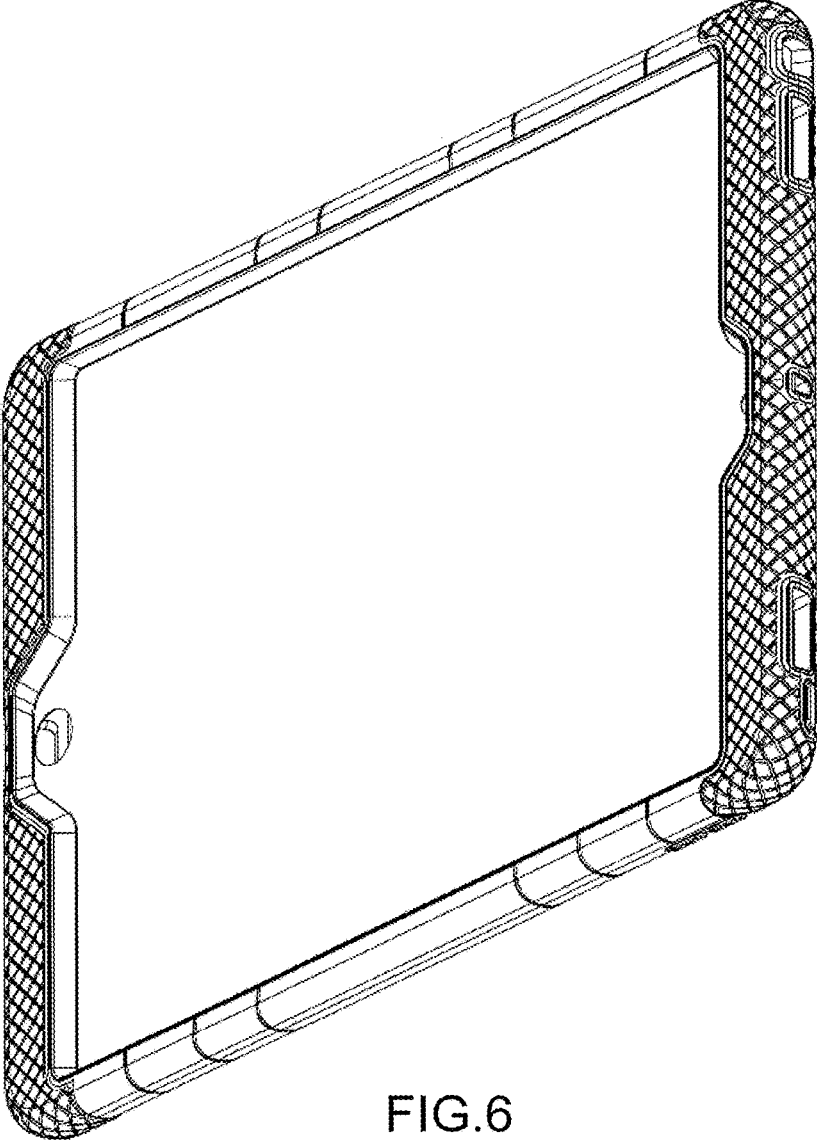


FIG. 6