



US00D897370S

(12) **United States Design Patent**  
Ueta et al.

(10) **Patent No.:** US D897,370 S

(45) **Date of Patent:** \*\* Sep. 29, 2020

(54) **DISPLAY SCREEN WITH GRAPHICAL USER INTERFACE**

H04N 2005/44547; H04N 2005/44556;  
H04N 2005/4456; H04N 2005/44565;  
H04N

(71) Applicant: **KOBELCO CONSTRUCTION MACHINERY CO., LTD.**,  
Hiroshima-shi, Hiroshima (JP)

(Continued)

(56) **References Cited**

(72) Inventors: **Toshiro Ueta**, Hiroshima (JP); **Yuta Suzuki**, Hiroshima (JP); **Jun Tsuruda**, Hiroshima (JP)

U.S. PATENT DOCUMENTS

D605,201 S \* 12/2009 Lorenz ..... D14/488  
D783,053 S \* 4/2017 Haase ..... D14/492

(Continued)

(73) Assignee: **KOBELCO CONSTRUCTION MACHINERY CO., LTD.**,  
Hiroshima-Shi, Hiroshima (JP)

FOREIGN PATENT DOCUMENTS

JP 1456883 S 12/2012

(\*\*) Term: **15 Years**

OTHER PUBLICATIONS

(21) Appl. No.: **29/674,996**

Simpson, Nicola. "Business Insurance." iconfinder.com. Added Aug. 13, 2015. Accessed Feb. 27, 2020. Available online at URL: <https://www.iconfinder.com/iconsets/business-insurance-1> (Year: 2015).\*

(22) Filed: **Dec. 27, 2018**

(Continued)

(30) **Foreign Application Priority Data**

Jul. 2, 2018 (JP) ..... 2018-014568

(51) **LOC (12) Cl.** ..... **14-04**

(52) **U.S. Cl.**  
USPC ..... **D14/492**

(58) **Field of Classification Search**  
USPC .... D14/485-495; 345/1.1, 1.2, 2.1-2.3, 3.1,  
345/902; 715/763, 810, 836, 837, 846,  
715/847, 977

CPC .... G06F 3/048; G06F 3/0481; G06F 3/04812;  
G06F 3/04817; G06F 3/0482; G06F  
3/0483; G06F 3/0484; G06F 3/04847;  
G06F 3/0485; G06F 3/04855; G06F  
3/04886; G06Q 30/00; H03J 1/00; H03J  
1/0008; H03J 1/0016; H03J 1/0025;  
H04N 5/00; H04N 5/08; H04N 5/14;  
H04N 5/222; H04N 5/225; H04N 5/232;  
H04N 5/445; H04N 5/44543; H04N 5/45;  
H04N 2005/44517; H04N 2005/44521;  
H04N 2005/44526; H04N 2005/4453;  
H04N 2005/44534; H04N 2005/44539;

*Primary Examiner* — Cathron C Brooks

*Assistant Examiner* — Christian P. McLean

(74) *Attorney, Agent, or Firm* — Birch, Stewart, Kolasch & Birch, LLP

(57) **CLAIM**

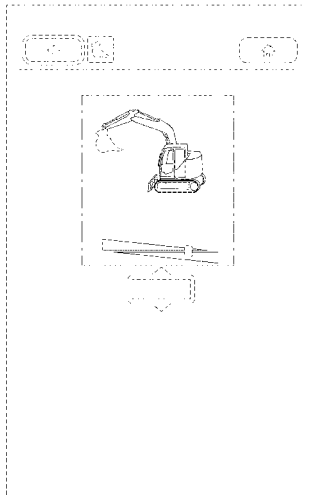
The ornamental design for a display screen with graphical user interface, as shown and described.

**DESCRIPTION**

The FIGURE is a front view of a display screen with graphical user interface.

The outermost broken line illustrates a display screen and forms no part of the claimed design. The long-dash/short-dash broken line illustrates the boundary of the design and forms no part of the claim. The remaining broken lines illustrate portions of the graphical user interface that form no part of the claimed design.

**1 Claim, 1 Drawing Sheet**



(58) **Field of Classification Search**

CPC ..... 2005/44569; H04N 2005/44573; H04N  
21/00; H04N 21/234; H04N 21/431;  
H04N 21/4312; H04N 21/4314; H04N  
21/4316

See application file for complete search history.

D871,446 S \* 12/2019 Binder ..... D14/489  
D871,448 S \* 12/2019 Binder ..... D14/489  
D871,449 S \* 12/2019 Binder ..... D14/489  
D871,450 S \* 12/2019 Binder ..... D14/489  
2017/0024110 A1\* 1/2017 Xu ..... G06F 3/04883

OTHER PUBLICATIONS

(56)

**References Cited**

U.S. PATENT DOCUMENTS

D786,305 S \* 5/2017 Haase ..... D14/492  
D794,679 S \* 8/2017 Dragoi ..... D14/492  
D834,064 S \* 11/2018 Sikkema ..... D14/492  
D834,591 S \* 11/2018 Lehmann ..... D14/485  
D851,677 S \* 6/2019 Juhlin ..... D14/492  
D854,048 S \* 7/2019 Shook ..... D14/492  
10,370,822 B2\* 8/2019 Yamashita ..... E02F 9/2033  
D858,574 S \* 9/2019 Brinker ..... D14/492  
D864,249 S \* 10/2019 Shook ..... D14/492

“Construction Tools Set.” iconfinder.com. Added Apr. 27, 2019. Accessed Feb. 27, 2020. Available online at URL: <https://www.iconfinder.com/iconsets/construction-tools-set-4> (Year: 2019).\*

U.S. Trademark Serial No. 88483145 to Sandhills Global, Inc. Filed Jun. 21, 2019. Accessed Feb. 27, 2020. Available online via Trademark Electronic Search System (TESS). (Year: 2019).\*

U.S. Trademark Serial No. 86747373 to Ready Decks Franchise Systems, Inc. Filed Sep. 3, 2015. Accessed Feb. 27, 2020. Available online at URL: <http://tmsearch.uspto.gov/bin/gate.exe?f=doc&state=4807:a7pww9.3.55> (Year: 2015).\*

\* cited by examiner

