



US00D570069S

(12) **United States Design Patent**
Leonard

(10) **Patent No.:** **US D570,069 S**

(45) **Date of Patent:** **** May 27, 2008**

(54) **TILTING CART FOR PAINT SPRAYER**

(75) Inventor: **Brian T. Leonard**, Minnetonka, MN (US)

(73) Assignee: **Titan Tool, Inc.**, Oakland, NJ (US)

(**) Term: **14 Years**

(21) Appl. No.: **29/281,247**

(22) Filed: **Jun. 19, 2007**

(51) **LOC (8) Cl.** **12-02**

(52) **U.S. Cl.** **D34/24**

(58) **Field of Classification Search** D34/12-27;
280/47.29, 655, 79.3, 47.19, 33.993, 33.991,
280/33.996, 47.18, 47.28, 47.27, 47.34, 654
See application file for complete search history.

(56) **References Cited**

U.S. PATENT DOCUMENTS

3,179,270	A	*	4/1965	Taragos	414/446
D238,749	S	*	2/1976	Back et al.	D8/359
5,026,089	A	*	6/1991	Grimmonpre	280/655
D356,199	S	*	3/1995	Samuelsson	D34/24
5,464,244	A	*	11/1995	Tsai	280/655
D424,771	S	*	5/2000	Sivells et al.	D34/14
D441,935	S	*	5/2001	Cook	D34/24

D473,990	S	*	4/2003	Hittle	D34/18
D481,511	S	*	10/2003	Lee	D34/24
D492,076	S	*	6/2004	Kollen	D34/21
D553,325	S	*	10/2007	Miller et al.	D34/24
D558,948	S	*	1/2008	Miller et al.	D34/24
2002/0101065	A1	*	8/2002	McCollum et al.	280/655

* cited by examiner

Primary Examiner—Cynthia E Ramirez

(74) *Attorney, Agent, or Firm*—Faegre & Benson LLP

(57) **CLAIM**

The ornamental design for a tilting cart for paint sprayer, as shown.

DESCRIPTION

FIG. 1 is perspective view of the tilting cart for paint sprayer of the present invention.

FIG. 2 is a top plan view of the cart of the present invention.

FIG. 3 is a bottom plan view thereof.

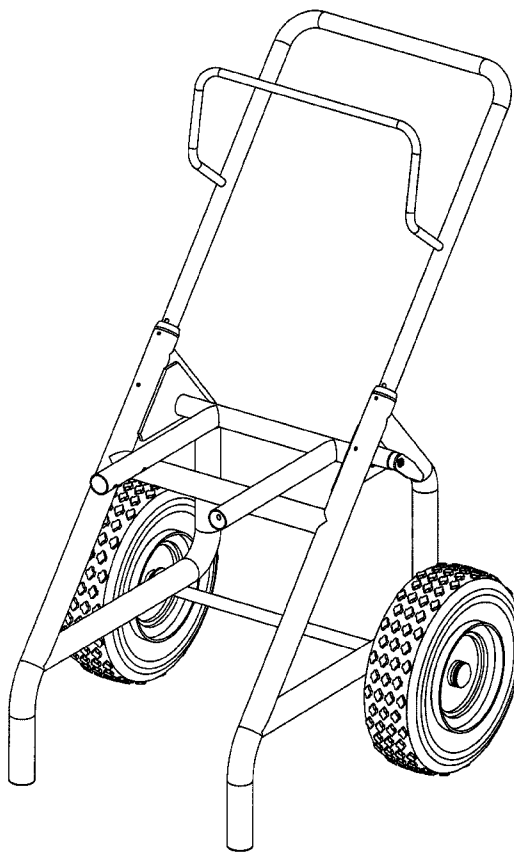
FIG. 4 is a rear elevation view thereof.

FIG. 5 is a right side elevation view thereof.

FIG. 6 is a left side elevation view thereof; and,

FIG. 7 is a front elevation view thereof.

1 Claim, 5 Drawing Sheets



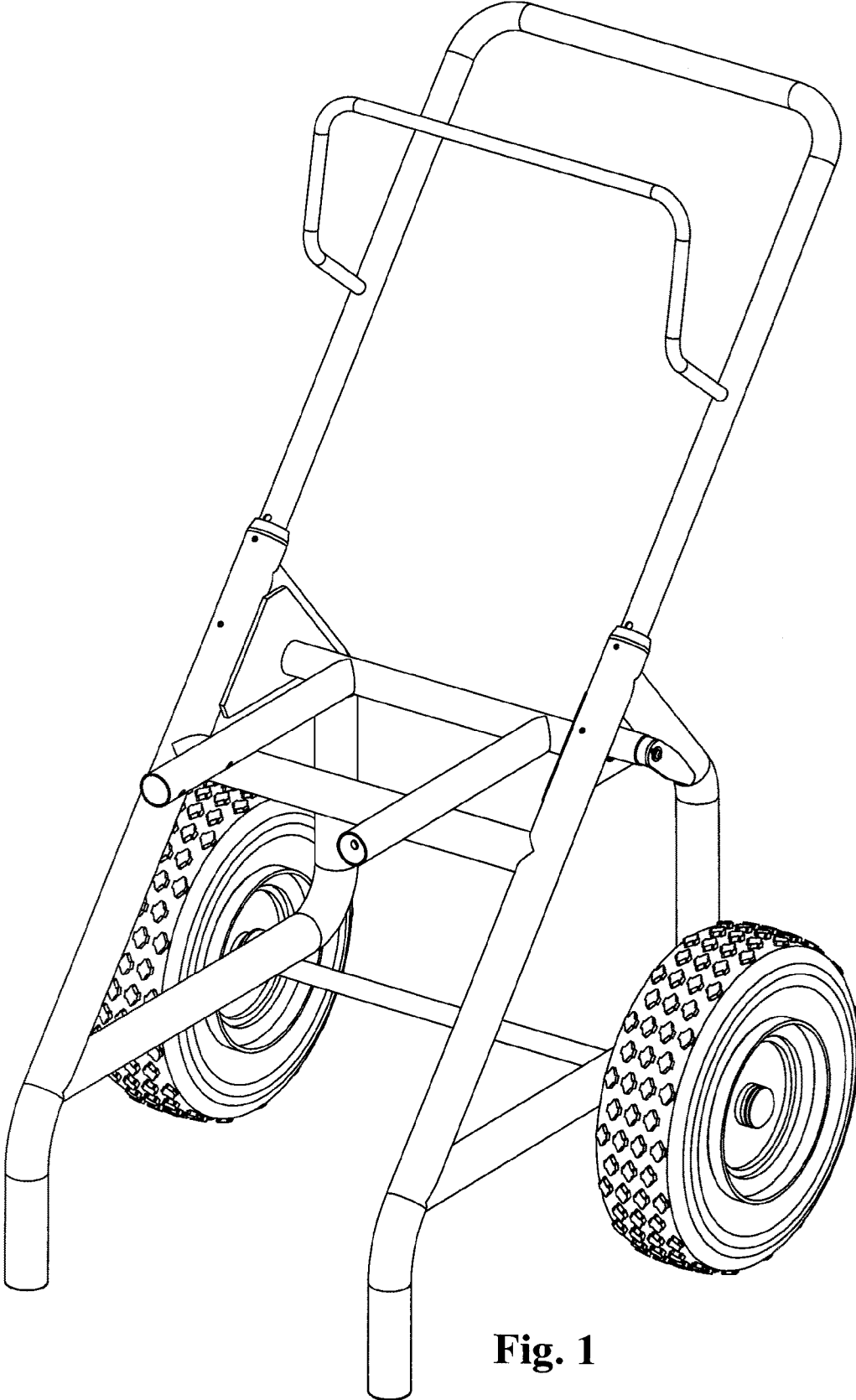


Fig. 1

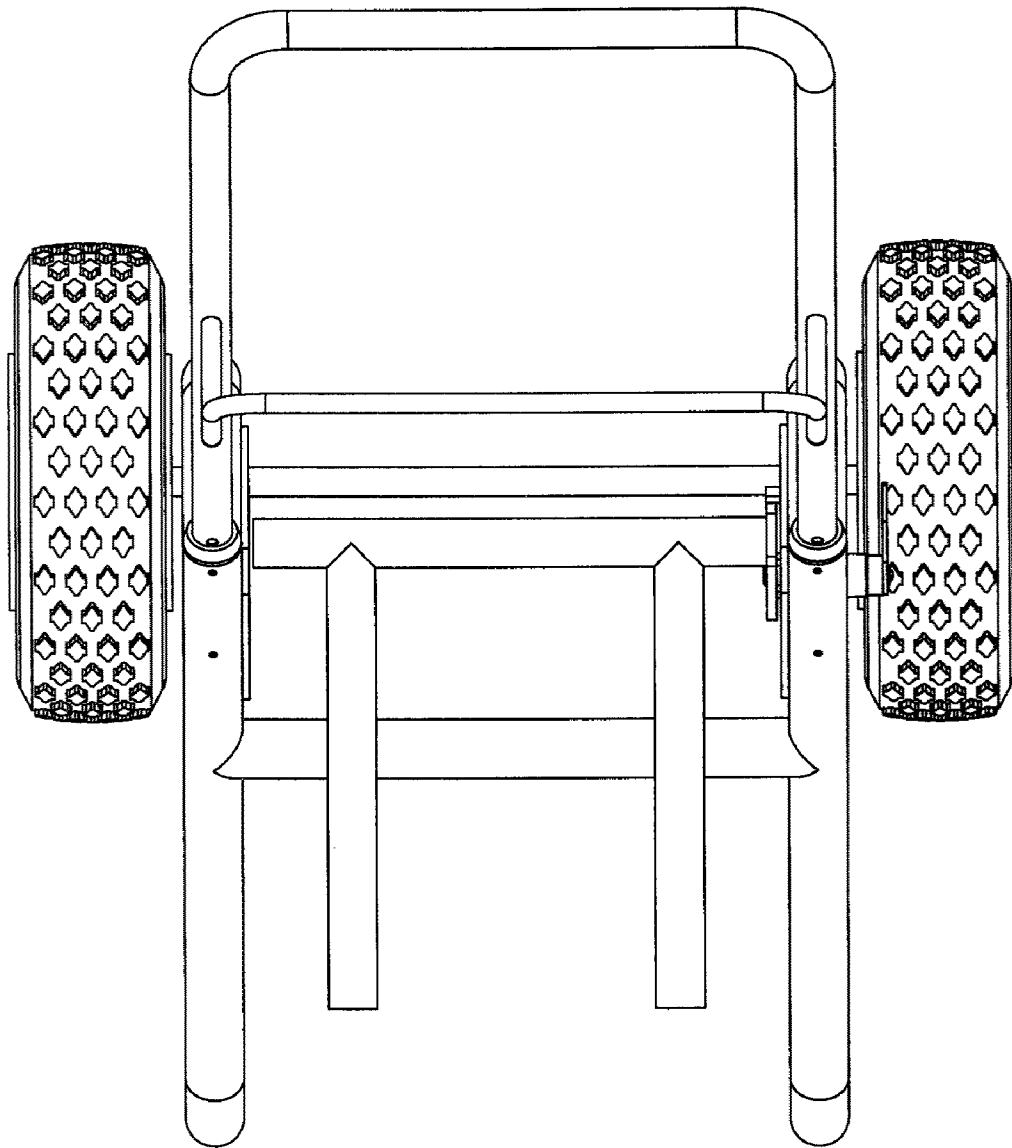


Fig. 2

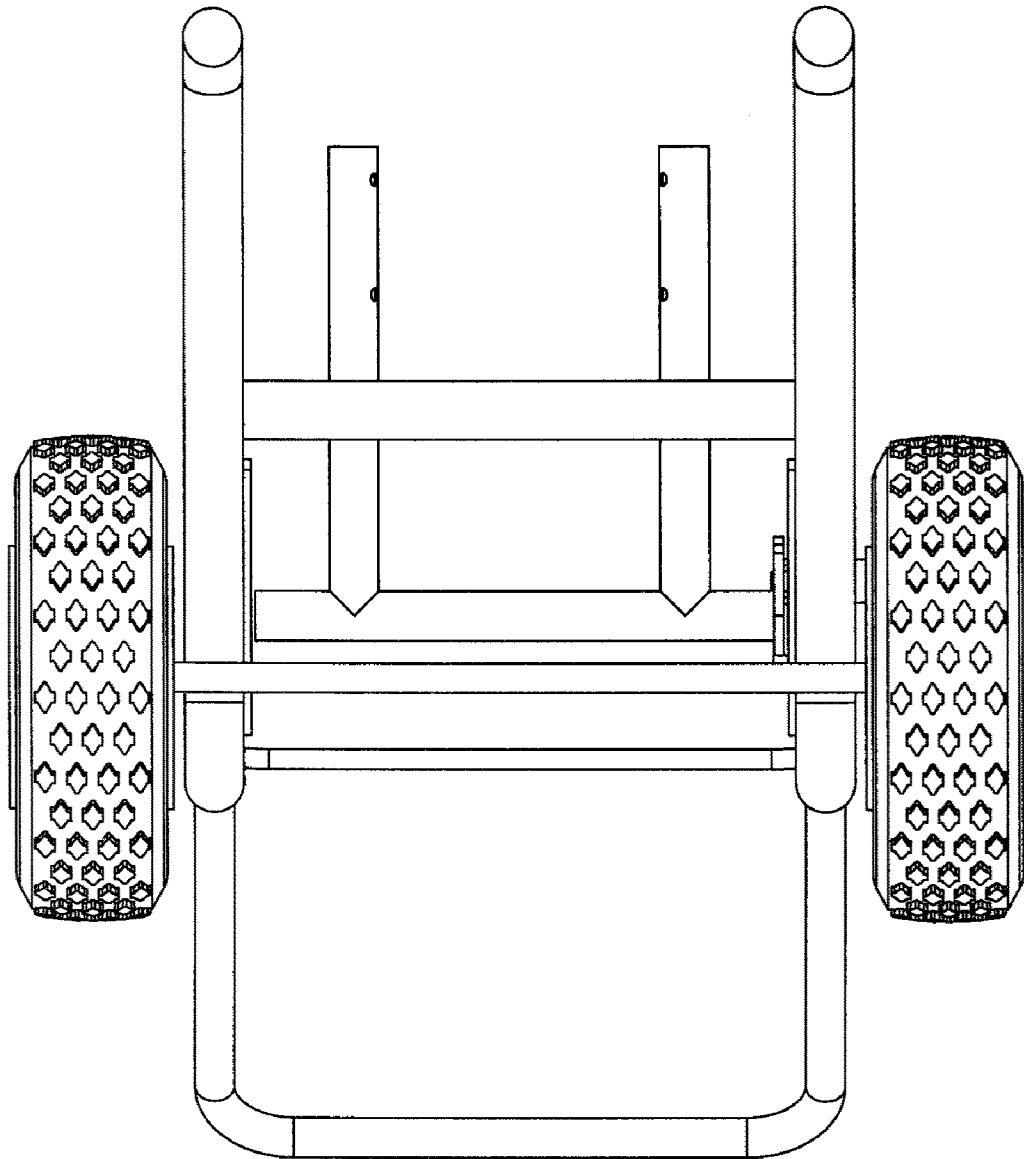


Fig. 3

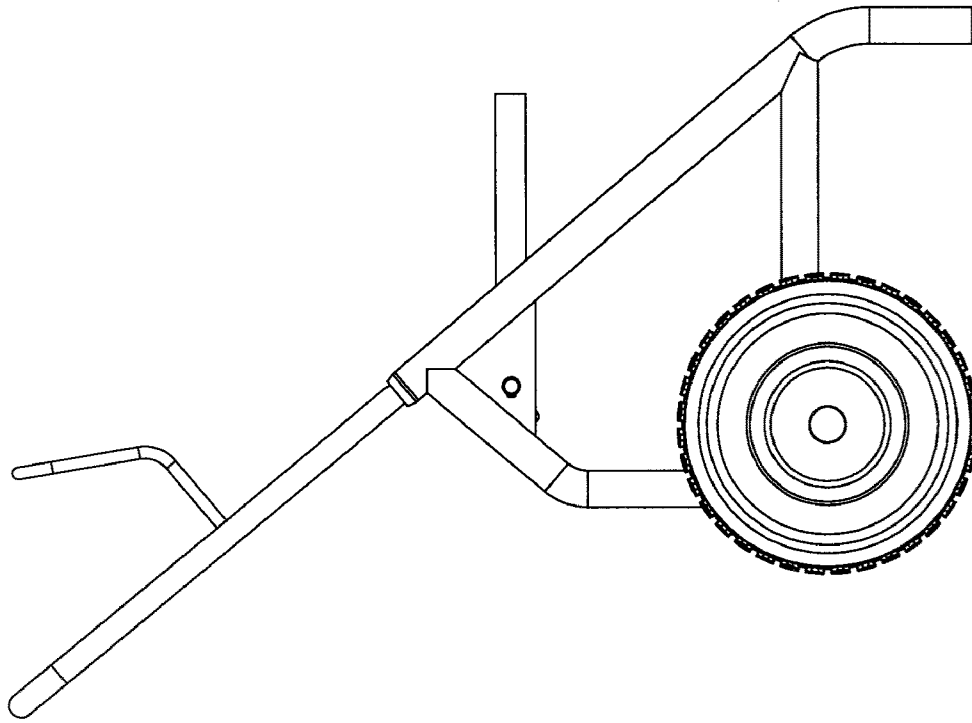


Fig. 5

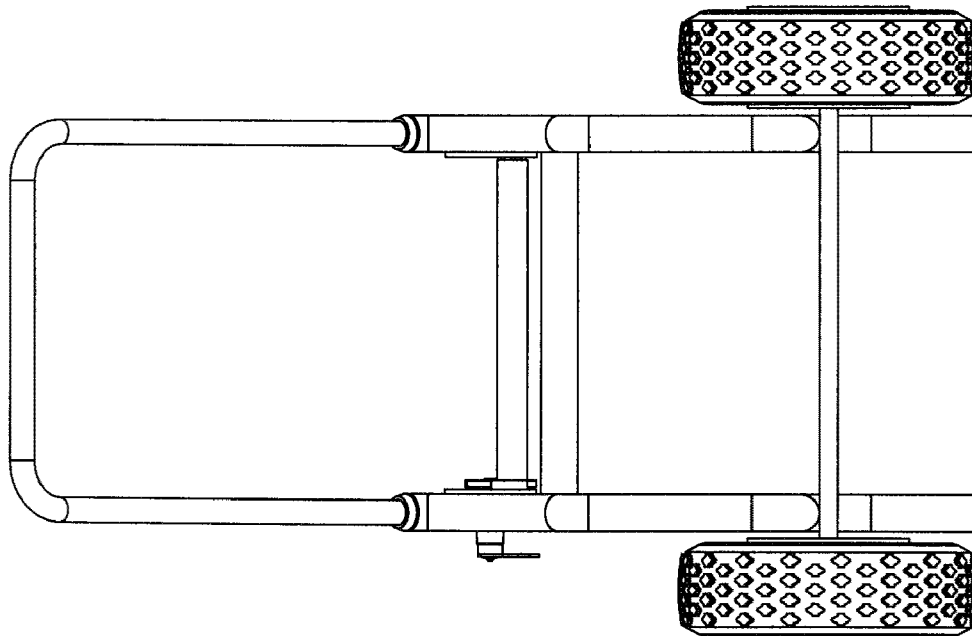


Fig. 4

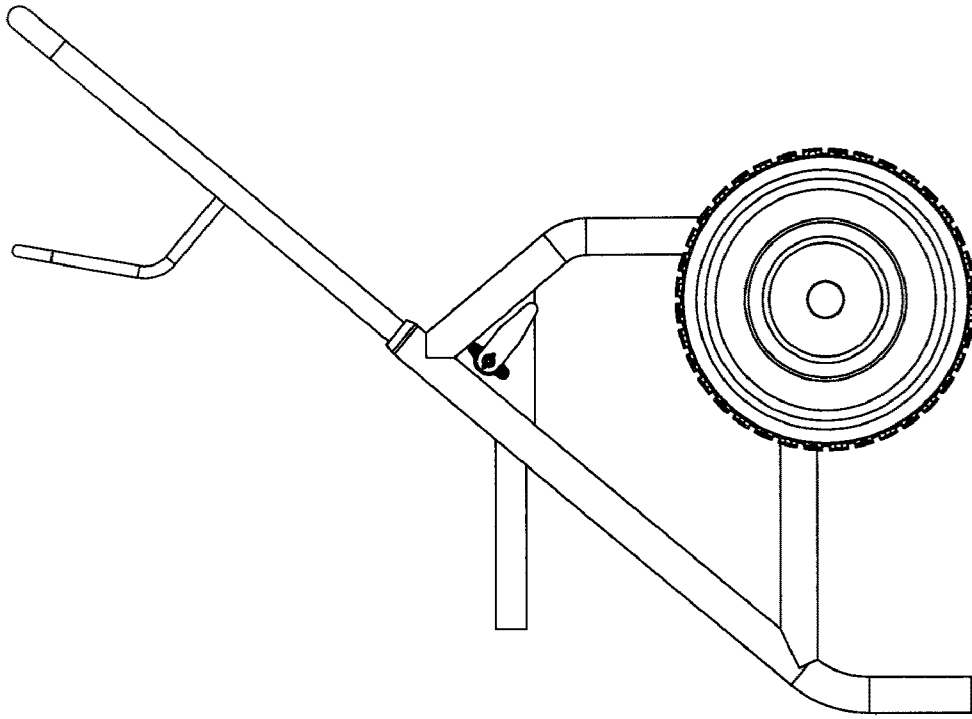


Fig. 6

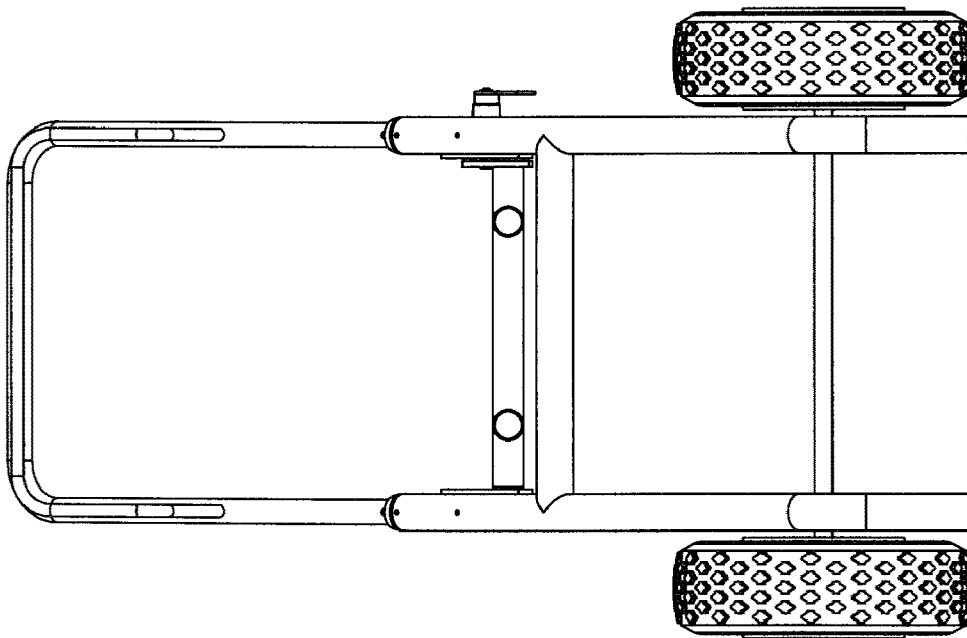


Fig. 7