



(12) **United States Design Patent**  
**Moller et al.**

(10) **Patent No.:** **US D929,551 S**  
(45) **Date of Patent:** **\*\* Aug. 31, 2021**

- (54) **SINK**
- (71) Applicant: **Kohler Co.**, Kohler, WI (US)
- (72) Inventors: **Adam M. Moller**, Grafton, WI (US);  
**Shawn J. Booth**, Sheboygan, WI (US);  
**Richard C. Kong**, Sheboygan, WI (US)
- (73) Assignee: **Kohler Co.**, Kohler, WI (US)
- (\*\*) Term: **15 Years**

D609,315 S 2/2010 Soulier  
 D710,978 S 8/2014 Spangler  
 D854,129 S 7/2019 Kluck  
 D890,311 S 7/2020 Belozerova  
 D912,225 S \* 3/2021 Moller ..... D23/284  
 2021/0015307 A1\* 1/2021 Oberholzer ..... E03C 1/182

\* cited by examiner

*Primary Examiner* — Robert A Delehanty  
(74) *Attorney, Agent, or Firm* — Lempia Summerfield  
Katz LLC

- (21) Appl. No.: **29/768,110**
- (22) Filed: **Jan. 27, 2021**

(57) **CLAIM**

We claim the ornamental design for a sink, as shown and described.

**Related U.S. Application Data**

- (62) Division of application No. 29/692,255, filed on May 23, 2019, now Pat. No. Des. 912,224.
- (51) **LOC (13) Cl.** ..... **23-02**
- (52) **U.S. Cl.**  
USPC ..... **D23/308**
- (58) **Field of Classification Search**  
USPC ..... D23/284, 286, 293.1, 308  
CPC ..... A47B 77/06  
See application file for complete search history.

**DESCRIPTION**

FIG. 1 is a perspective view of another embodiment of the claimed design;  
FIG. 2 is a top view of the embodiment of FIG. 1;  
FIG. 3 is a cross-sectional view taken along line 15-15 in FIG. 2; and,  
FIG. 4 is a cross-sectional view taken along line 16-16 in FIG. 2.

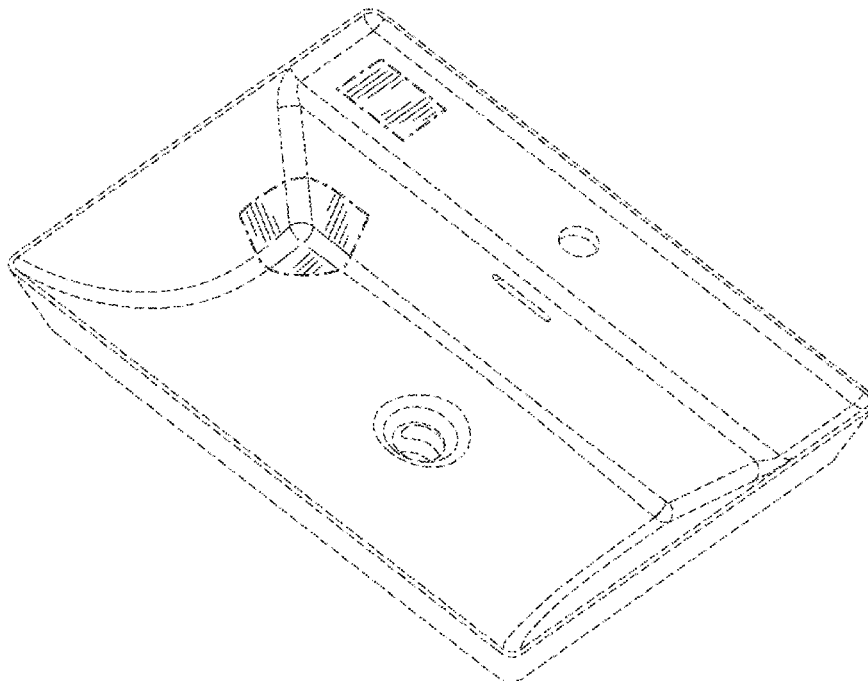
The ornamental design that is claimed is shown in the drawings as solid lines and surfaces having surface shading. The broken lines in the drawings are for illustrative purposes only and form no part of the claimed design. For example, broken lines formed by equal length dashes show unclaimed portions of the design. Broken lines formed of unequal length dashes (i.e., dash-dot) show boundaries between either claimed and unclaimed portions of the design or between unclaimed and unclaimed portions of the design.

(56) **References Cited**

**U.S. PATENT DOCUMENTS**

- D274,642 S 7/1984 Doman
- D282,201 S 1/1986 Doman
- D295,669 S 5/1988 Kolada
- D295,670 S 5/1988 Reid
- D319,691 S 9/1991 Yvetot
- D337,376 S 7/1993 Ragonot
- D507,334 S 7/2005 Ferrer

**1 Claim, 3 Drawing Sheets**



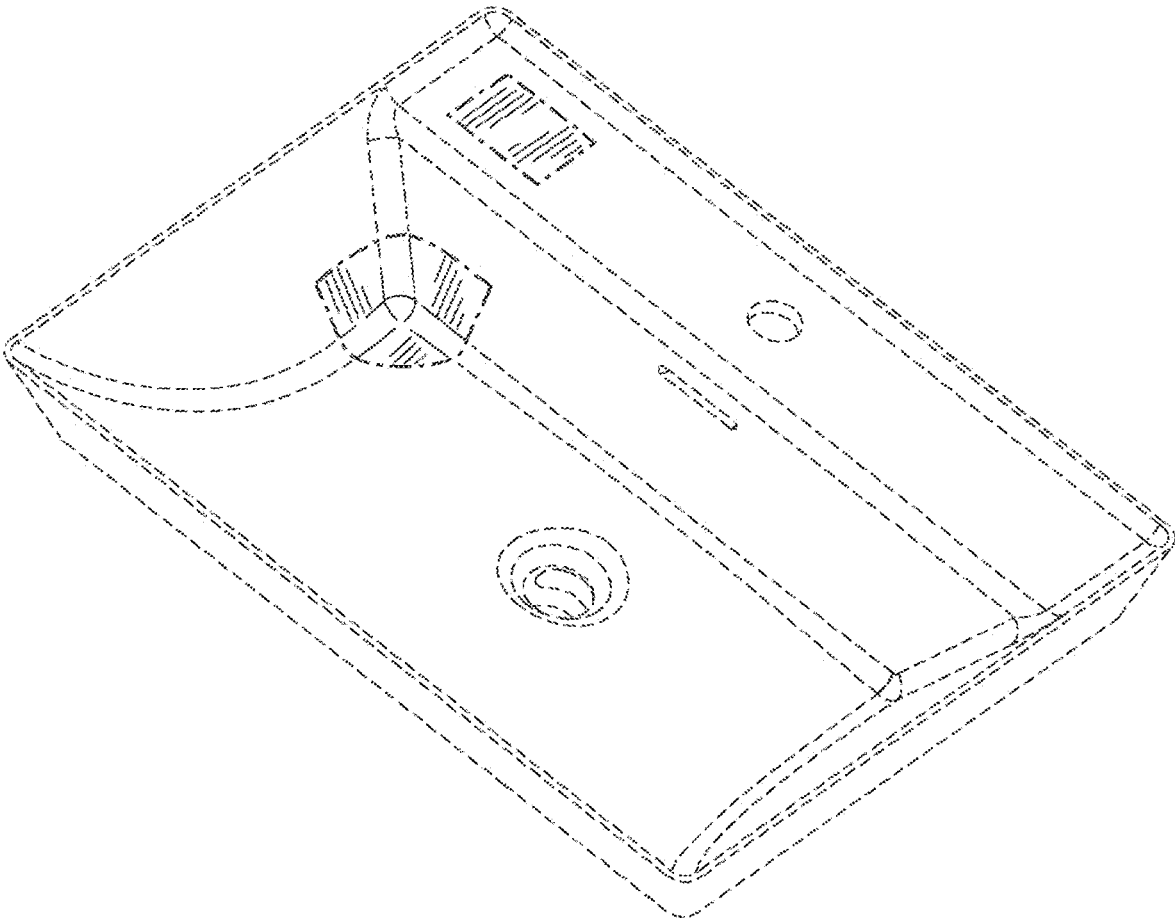


FIG. 1

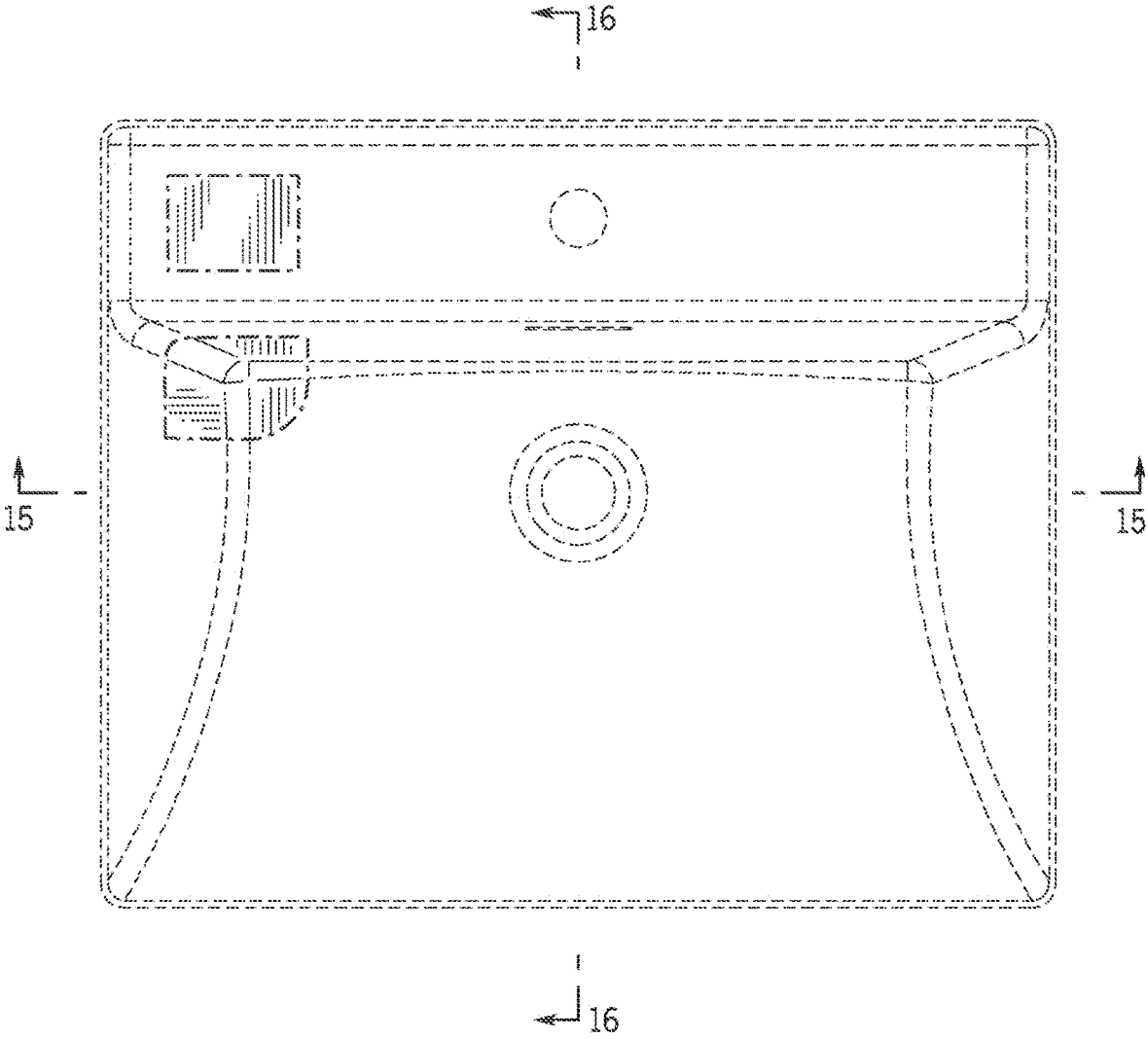


FIG. 2

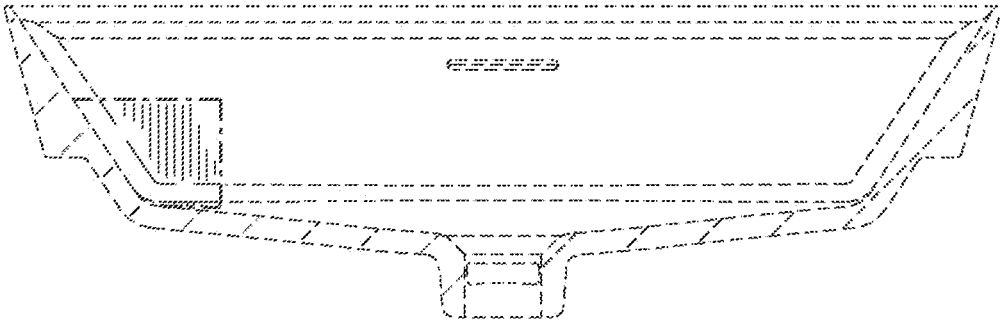


FIG. 3

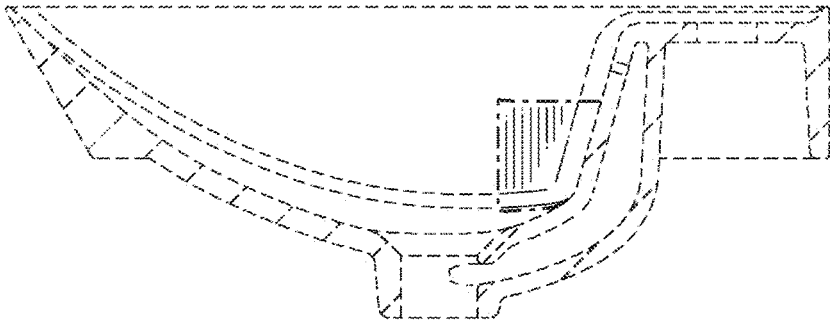


FIG. 4