



US00D481482S

(12) **United States Design Patent**  
**Mah**

(10) **Patent No.:** **US D481,482 S**

(45) **Date of Patent:** **\*\* Oct. 28, 2003**

(54) **FLASHLIGHT**

*Primary Examiner*—Marcus A. Jackson

(74) *Attorney, Agent, or Firm*—Curtis L. Harrington

(76) **Inventor:** **Pat Y. Mah**, 8C Leroy Plaza, 15  
Cheung Shun Street, Cheung Sha Wan,  
Kowloon, Hong Kong (CN)

(57) **CLAIM**

The ornamental design for an flashlight, as shown and described.

(\*\*) **Term:** **14 Years**

(21) **Appl. No.:** **29/173,405**

**DESCRIPTION**

(22) **Filed:** **Dec. 27, 2002**

FIG. 1 is a perspective view of the flashlight;

(51) **LOC (7) Cl.** ..... **26-02**

FIG. 2 is a left side view, the right side view being a mirror image of the left side view;

(52) **U.S. Cl.** ..... **D26/37**

FIG. 3 is a top view, the bottom view being a mirror image of the top view;

(58) **Field of Search** ..... D26/37-50; 362/157,  
362/158, 171, 172, 173, 183-208

FIG. 4 is a front end view; and,

(56) **References Cited**

**U.S. PATENT DOCUMENTS**

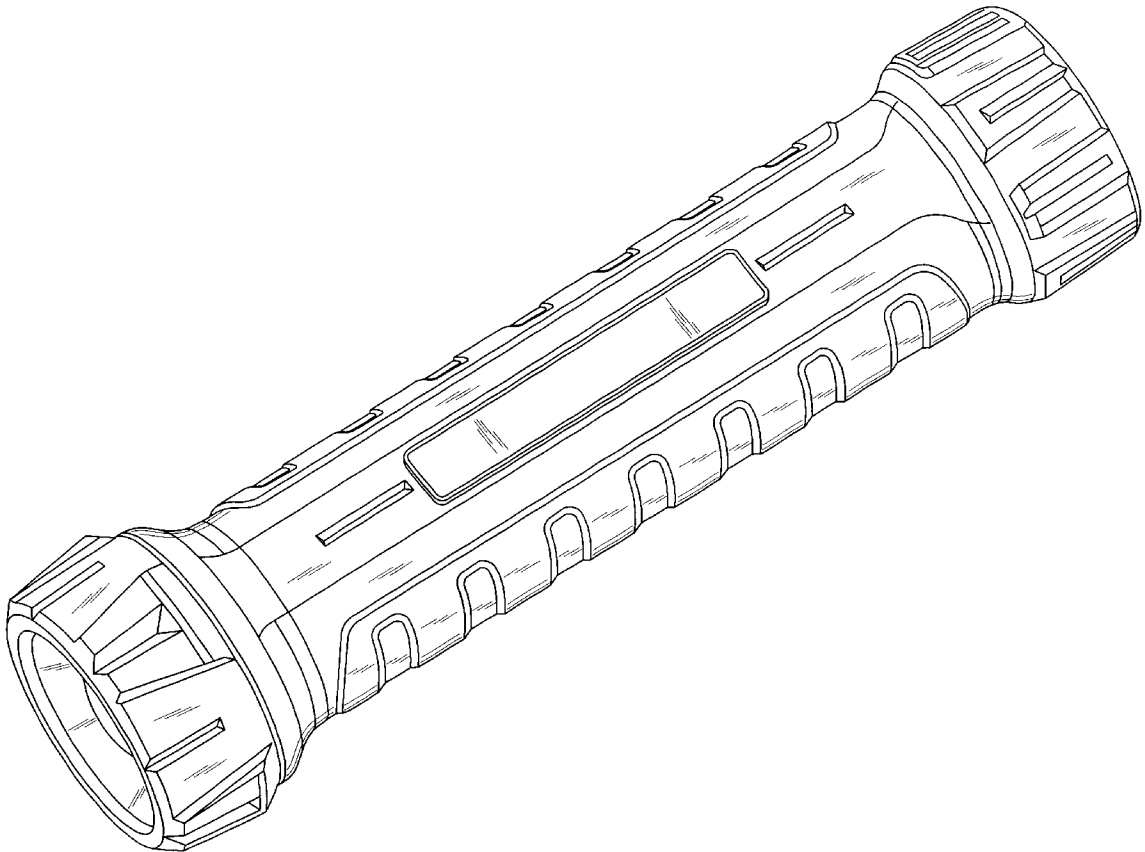
FIG. 5 is a rear end view.

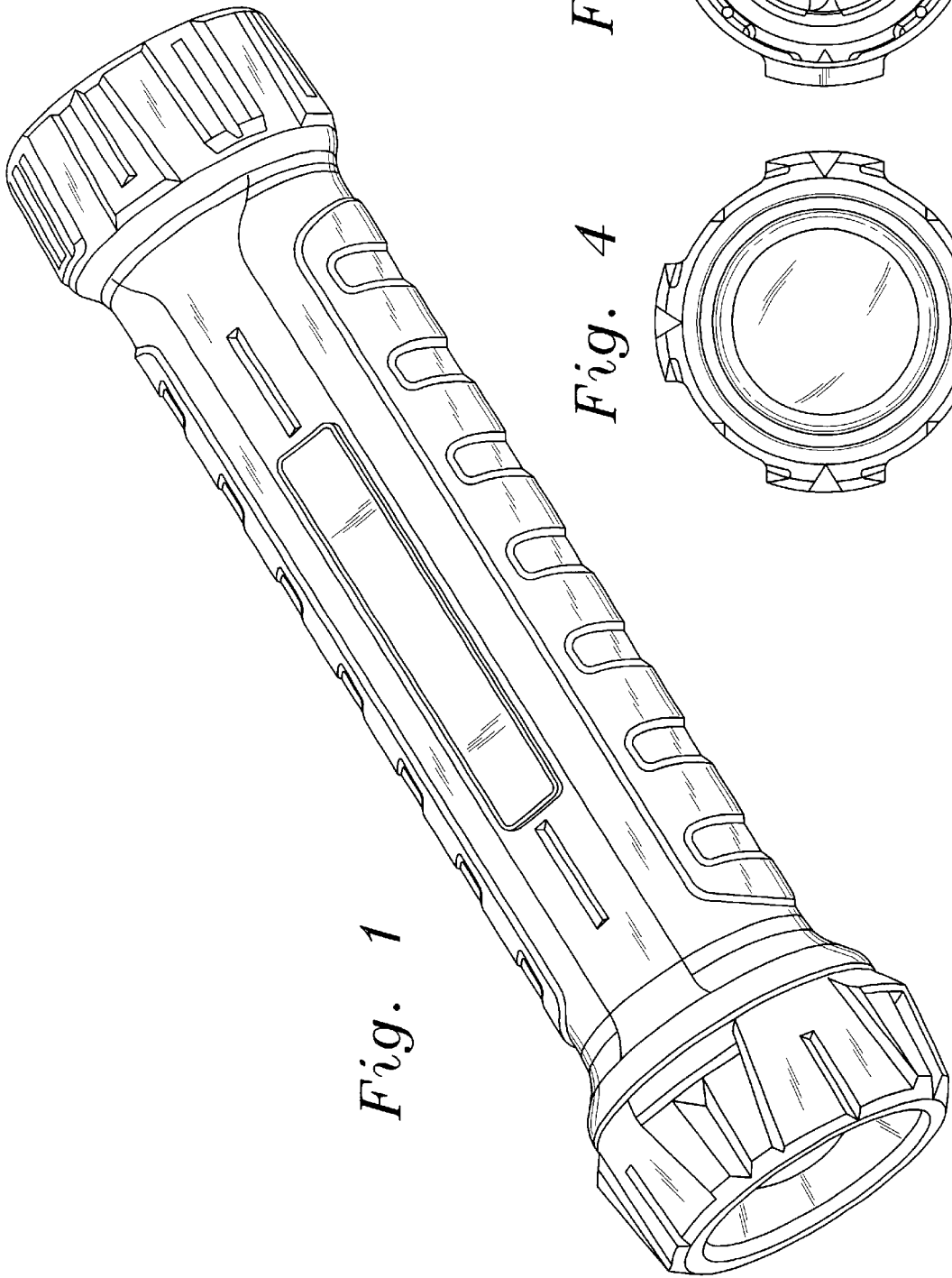
D429,831 S \* 8/2000 Ting ..... D26/37

D474,551 S \* 5/2003 Gohl et al. .... D26/37

\* cited by examiner

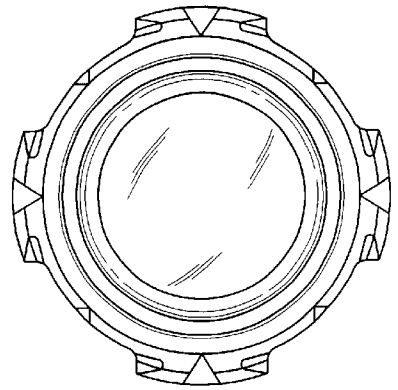
**1 Claim, 2 Drawing Sheets**



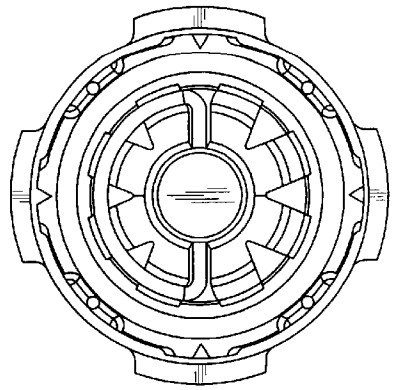


*Fig. 1*

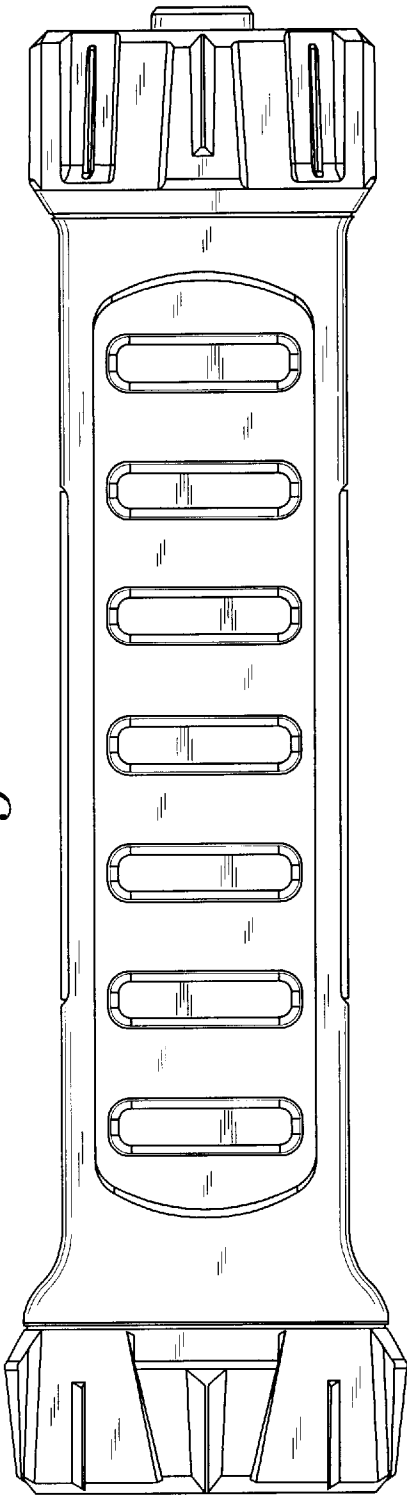
*Fig. 4*



*Fig. 5*



*Fig. 2*



*Fig. 3*

