

(21) Application No: 1522859.6  
(22) Date of Filing: 28.04.2014  
Date Lodged: 24.12.2015  
(30) Priority Data:  
(31) 13/912,409 (32) 07.06.2013 (33) US  
(86) International Application Data:  
PCT/US2014/035625 En 28.04.2014  
(87) International Publication Data:  
WO2014/197135 En 11.12.2014

(51) INT CL:  
G01L 11/02 (2006.01) G01L 1/24 (2006.01)  
G01L 5/00 (2006.01) G01L 7/08 (2006.01)  
G01L 9/00 (2006.01) G01L 19/14 (2006.01)  
(56) Documents Cited:  
US 7322247 B2 US 6820489 B2  
US 20090226128 A1 US 20080232745 A1  
US 20080161794 A1  
(58) Field of Search:  
INT CL A61B, B29C, B29D, G01L, G02B  
Other: eKOMPASS

(71) Applicant(s):  
Baker Hughes Incorporated  
(Incorporated in USA - Delaware)  
PO Box 4740, 3900 Essex Lane, Suite 1200, Houston,  
Texas 77210-4740, United States of America  
(72) Inventor(s):  
Carl W Stoesz  
Sydnee Marie Hammond  
(74) Agent and/or Address for Service:  
Dehns  
St. Bride's House, 10 Salisbury Square, LONDON,  
EC4Y 8JD, United Kingdom

(54) Title of the Invention: Pressure sensing system and method of housing a pressure sensor  
Abstract Title: Pressure sensing system and method of housing a pressure sensor

(57) A pressure sensing system includes a pressure sensor, an optical fiber in operable communication with the pressure sensor, and a body having a diaphragm integrally formed therein and separated a distance from the optical fiber.

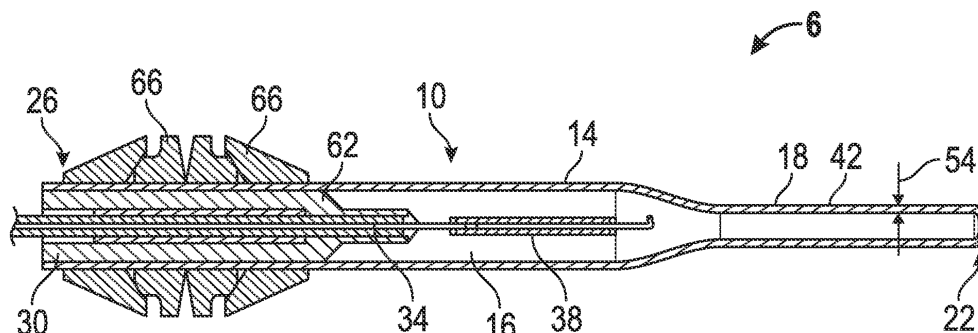


FIG. 2