



(12) **United States Design Patent**  
**Li**

(10) **Patent No.:** **US D935,637 S**  
(45) **Date of Patent:** **\*\* Nov. 9, 2021**

(54) **MESSAGE GUN**  
(71) Applicant: **SHENZHEN GREATANT INNOVATION R&D LIMITED,**  
Shenzhen (CN)  
(72) Inventor: **Zhiqiang Li,** Shenzhen (CN)  
(\*\*) Term: **15 Years**  
(21) Appl. No.: **29/767,797**

D907,229 S \* 1/2021 Zhang ..... D24/215  
D907,230 S \* 1/2021 Zhang ..... D24/215  
D908,908 S \* 1/2021 Xu ..... D24/215  
D910,194 S \* 2/2021 Radtke ..... D24/215  
D911,535 S \* 2/2021 Yu ..... D24/200  
D912,267 S \* 3/2021 Tang ..... D24/215  
D913,516 S \* 3/2021 Zhang ..... D24/215  
D913,517 S \* 3/2021 Yu ..... D24/215  
D916,307 S \* 4/2021 Xiong ..... D24/215  
D917,060 S \* 4/2021 Hu ..... D24/215

(Continued)

(22) Filed: **Jan. 26, 2021**  
(51) **LOC (13) Cl.** ..... **28-03**  
(52) **U.S. Cl.**  
USPC ..... **D24/215**  
(58) **Field of Classification Search**  
USPC ..... D24/200, 211, 212, 213, 214, 215;  
D8/14.1; D28/13  
CPC . A61H 2201/1635; A61H 23/006; A61H 1/00  
See application file for complete search history.

**OTHER PUBLICATIONS**

Amazon, "AOBEN Massage Gun", Aug. 26, 2019. [https://www.amazon.com/dp/B07SQ6TXZ7/ref=sspa\\_dk\\_detail\\_1?psc=1&pd\\_rd\\_i=B07SQ6TXZ7&pd\\_rd\\_w=CmsFq&pf\\_rd\\_p=cbc856ed-1371-4f23-b89d-d3fb30edf66d&pd\\_rd\\_wg=JcOrt&pf\\_rd\\_r=SDMNNHRFPQ42KN9MJERY&pd\\_rd\\_r=f7da7747-1632-4a76-b50d-0446b53d3140&spLa=ZW5jcnlwdGVkUXVhbGlma.](https://www.amazon.com/dp/B07SQ6TXZ7/ref=sspa_dk_detail_1?psc=1&pd_rd_i=B07SQ6TXZ7&pd_rd_w=CmsFq&pf_rd_p=cbc856ed-1371-4f23-b89d-d3fb30edf66d&pd_rd_wg=JcOrt&pf_rd_r=SDMNNHRFPQ42KN9MJERY&pd_rd_r=f7da7747-1632-4a76-b50d-0446b53d3140&spLa=ZW5jcnlwdGVkUXVhbGlma.) (Year: 2019).\*

*Primary Examiner* — Cynthia Ramirez  
*Assistant Examiner* — Michael A Maharajh

(56) **References Cited**

**U.S. PATENT DOCUMENTS**

D616,558 S \* 5/2010 Tsai ..... D24/200  
D847,364 S \* 4/2019 Lee ..... D24/215  
10,314,762 B1 \* 6/2019 Marton ..... A61H 23/006  
D855,822 S \* 8/2019 Marton ..... D24/215  
D863,571 S \* 10/2019 Yang ..... D24/200  
D866,790 S \* 11/2019 Lee ..... D24/215  
D873,432 S \* 1/2020 Duan ..... D24/214  
D874,015 S \* 1/2020 Marton ..... D24/215  
D884,205 S \* 5/2020 Zhuang ..... D24/215  
D884,207 S \* 5/2020 Ma ..... D24/215  
D886,317 S \* 6/2020 Marton ..... D24/215  
D895,132 S \* 9/2020 Hu ..... D24/215  
D895,133 S \* 9/2020 Xu ..... D24/215  
D895,135 S \* 9/2020 Xu ..... D24/215  
D895,829 S \* 9/2020 Hu ..... D24/215  
D895,831 S \* 9/2020 Chen ..... D24/215  
D898,209 S \* 10/2020 Xu ..... D24/214  
D898,933 S \* 10/2020 Xu .....  
D899,620 S \* 10/2020 Huang ..... D24/215  
D905,863 S \* 12/2020 Lin ..... D24/215  
D906,533 S \* 12/2020 Xu ..... D24/215

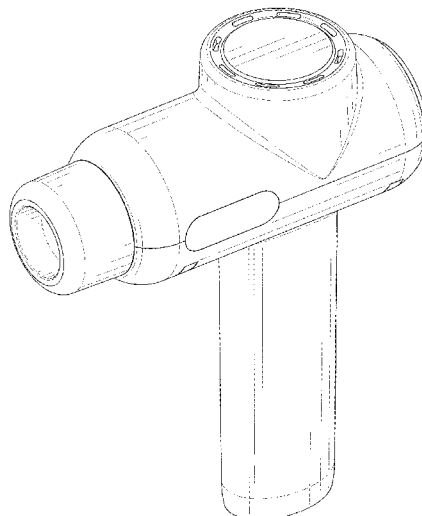
(57) **CLAIM**

The ornamental design for a massage gun, as shown and described.

**DESCRIPTION**

FIG. 1 is a front and top perspective view of a massage gun, showing my new design;  
FIG. 2 is a rear and bottom perspective view thereof;  
FIG. 3 is a front elevation view thereof;  
FIG. 4 is a rear elevation view thereof;  
FIG. 5 is a left side elevation view thereof;  
FIG. 6 is a right side elevation view thereof;  
FIG. 7 is a top plan view thereof; and,  
FIG. 8 is a bottom plan view thereof.  
The broken lines in the figures illustrate portions of the massage gun that form no part of the claimed design.

**1 Claim, 8 Drawing Sheets**



(56)

**References Cited**

U.S. PATENT DOCUMENTS

2016/0338899 A1\* 11/2016 Howson ..... A61H 7/001  
2019/0254921 A1\* 8/2019 Marton ..... A61H 23/006  
2020/0085675 A1\* 3/2020 Lee ..... A61H 1/00  
2020/0390644 A1\* 12/2020 Yang ..... G16H 20/30  
2021/0113427 A1\* 4/2021 Liu ..... A61H 23/0254

\* cited by examiner

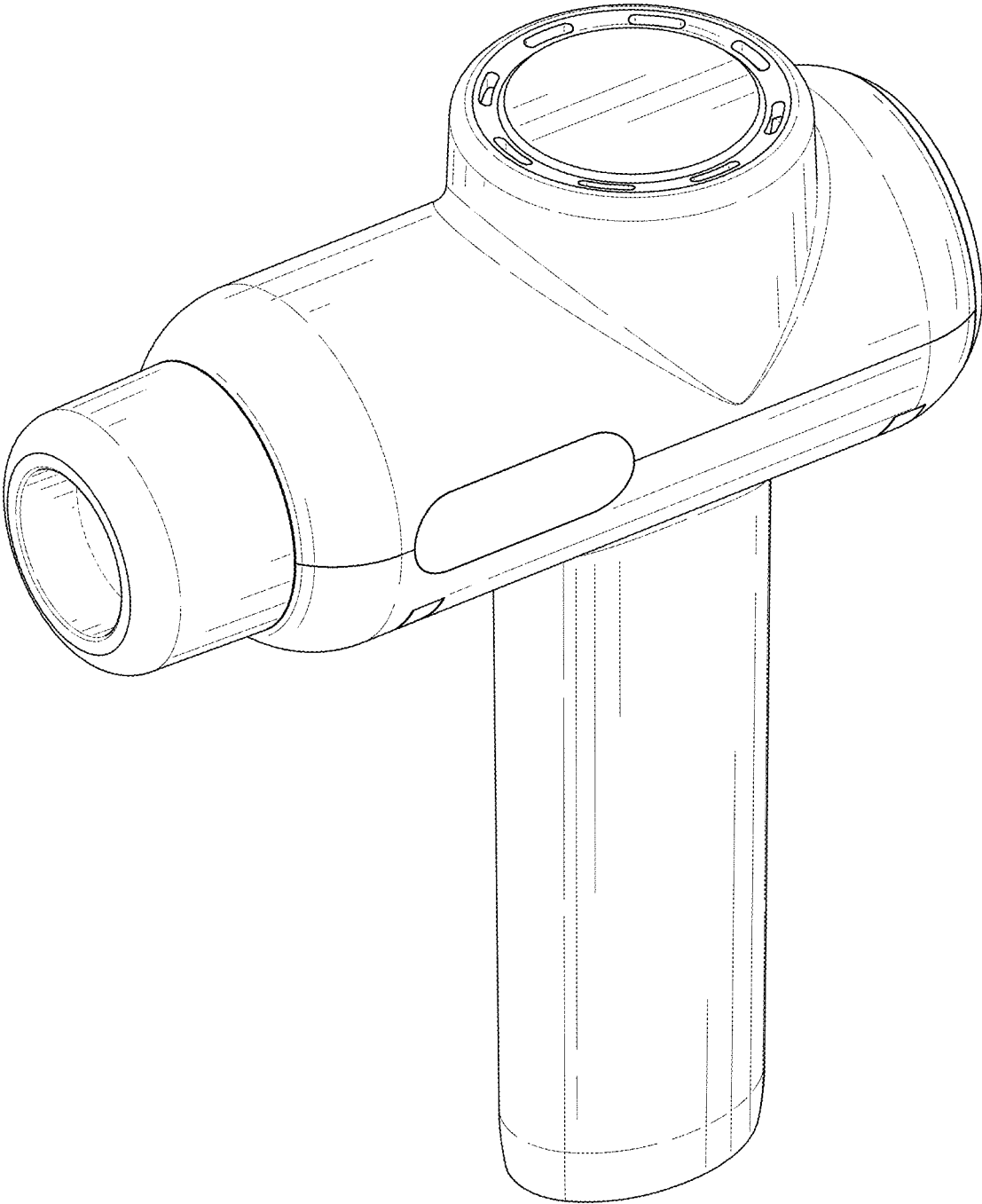


FIG. 1

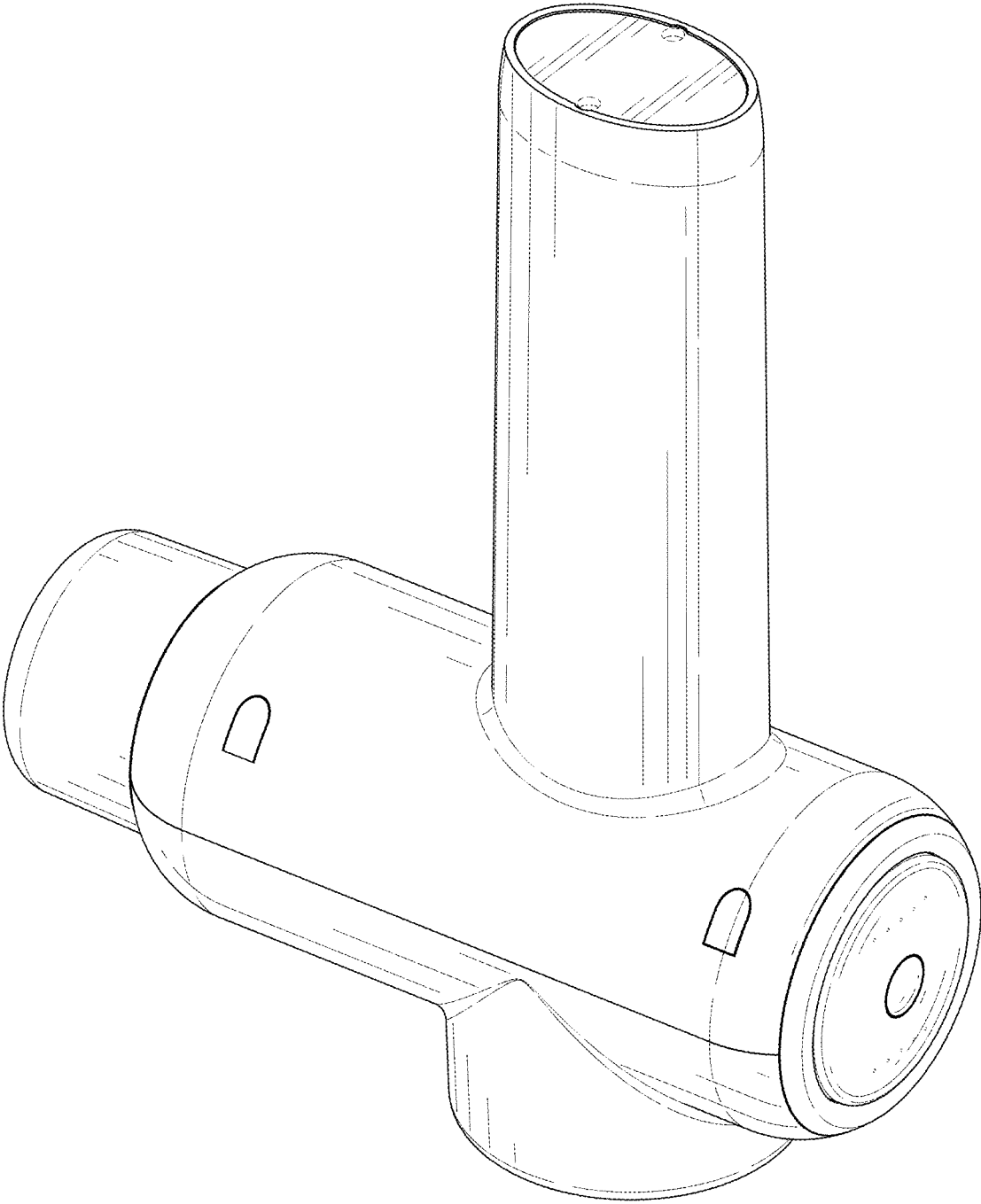


FIG. 2

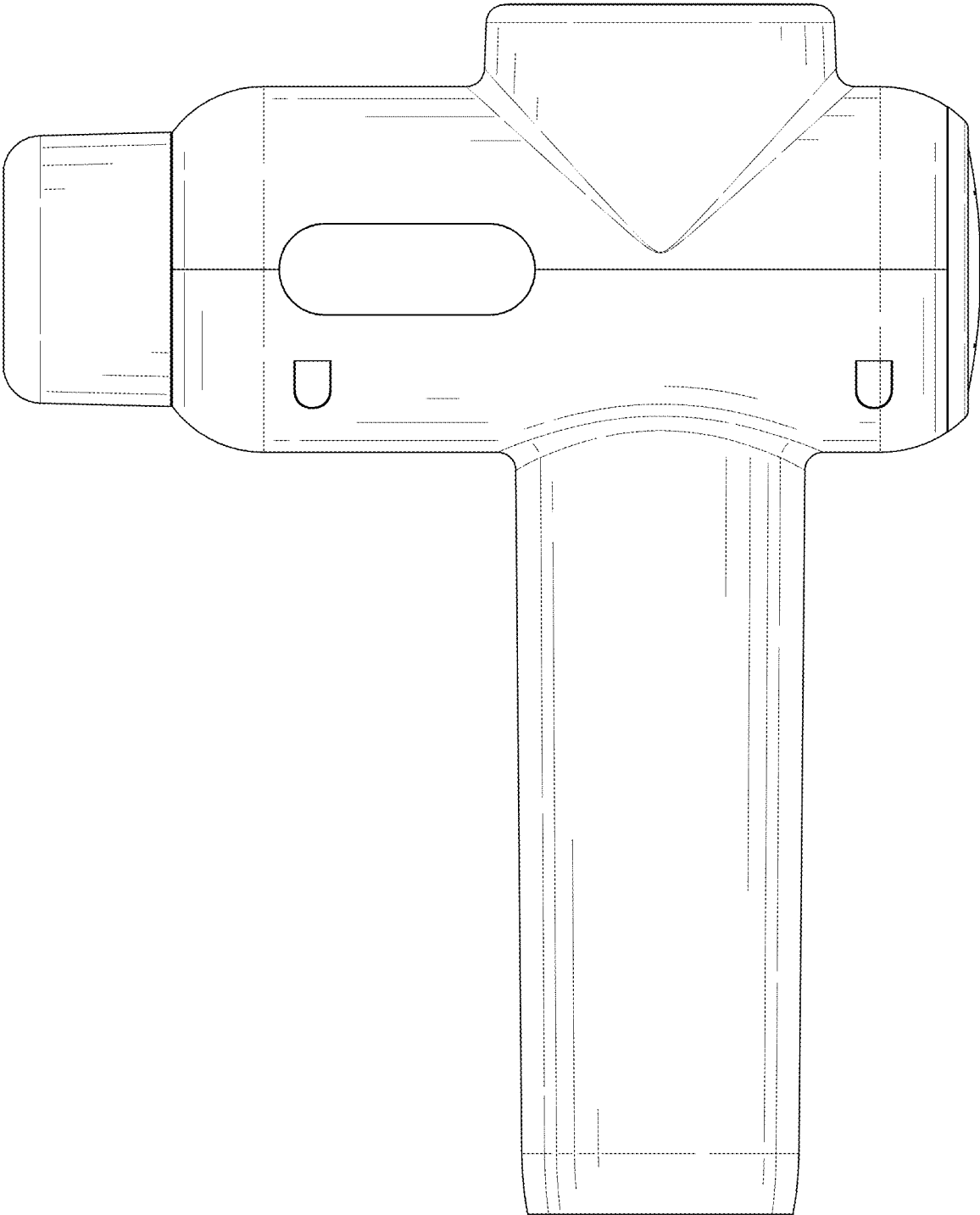


FIG. 3

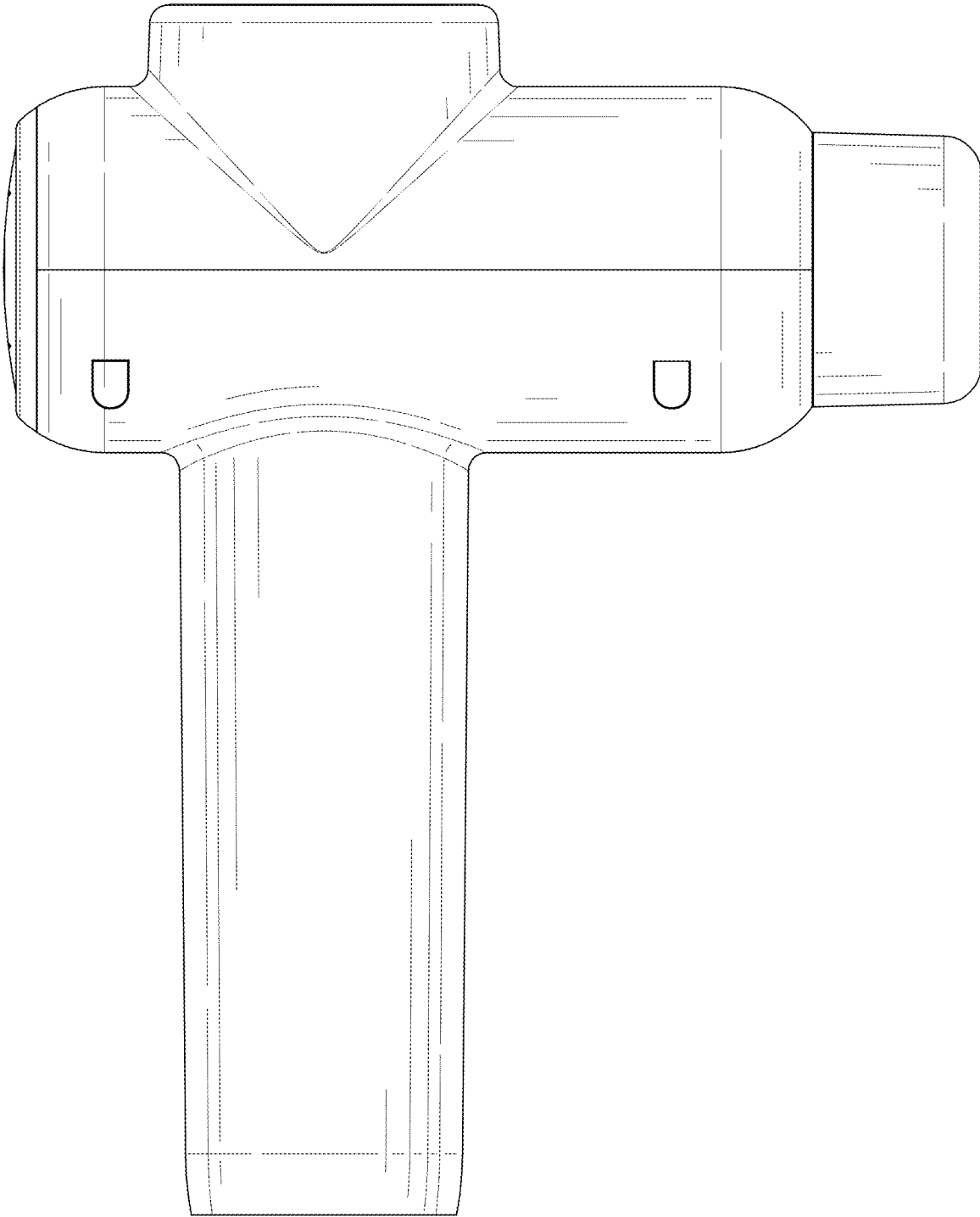


FIG. 4

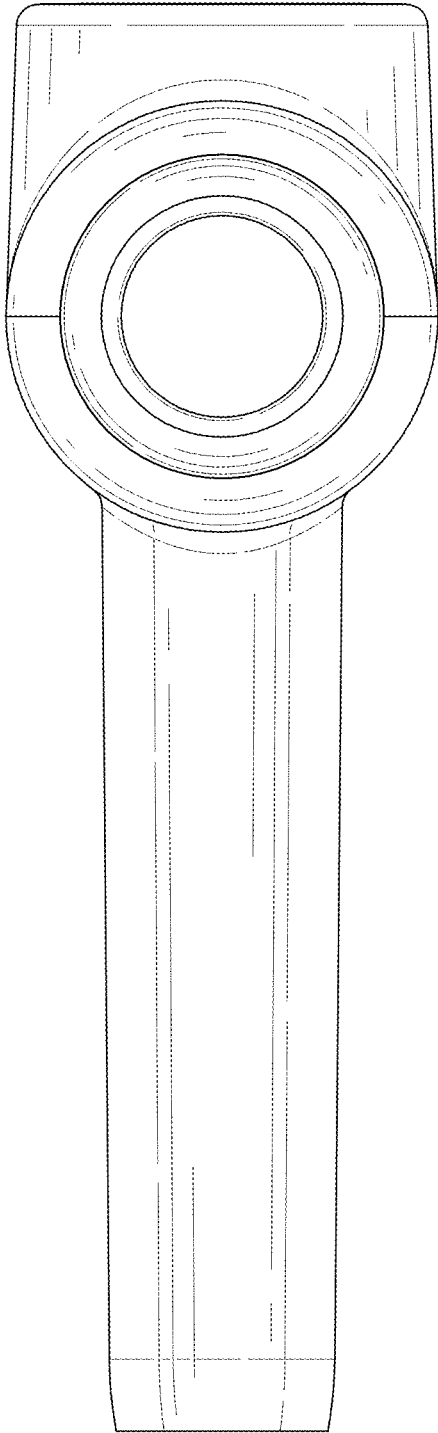


FIG. 5

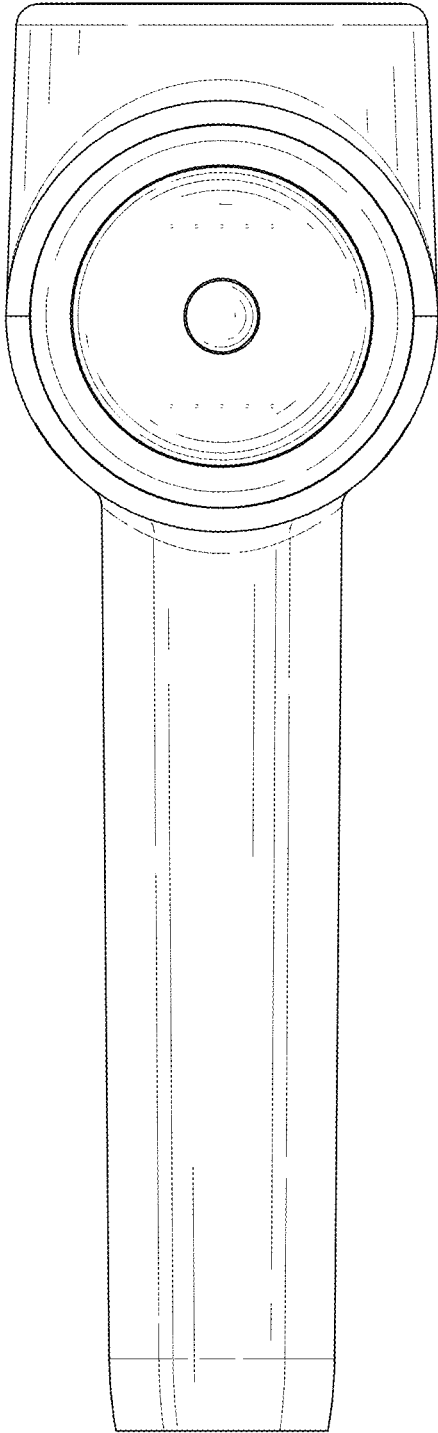


FIG. 6



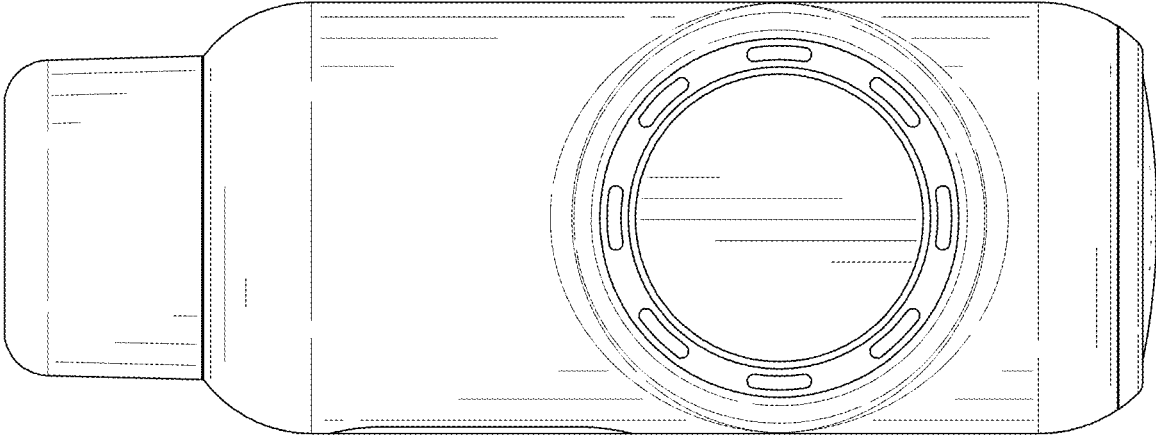


FIG. 7

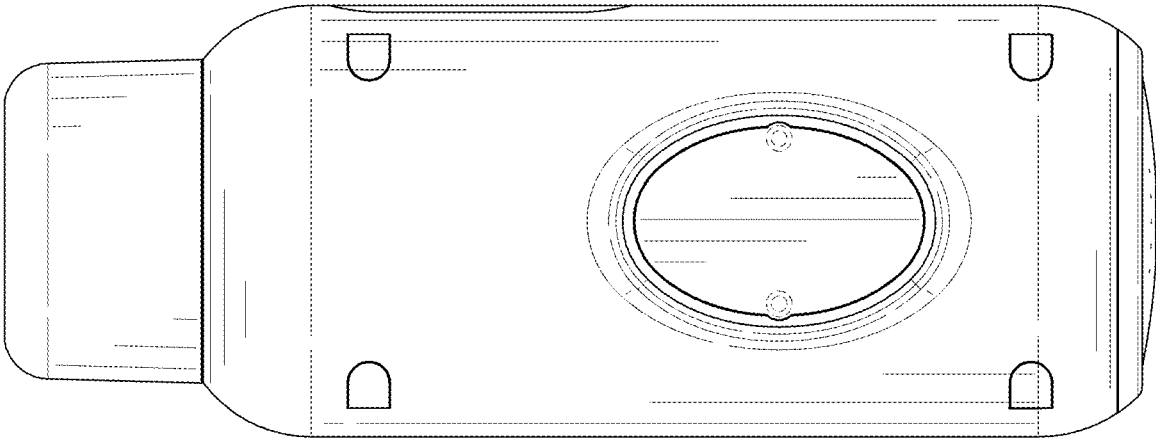


FIG. 8