



US00D708669S

(12) **United States Design Patent**
Sharma

(10) **Patent No.:** **US D708,669 S**
(45) **Date of Patent:** **** Jul. 8, 2014**

- (54) **COACHING BOARD**
 - (71) Applicant: **Rohan Sharma**, Lexington, MA (US)
 - (72) Inventor: **Rohan Sharma**, Lexington, MA (US)
 - (**) Term: **14 Years**
 - (21) Appl. No.: **29/476,715**
 - (22) Filed: **Dec. 16, 2013**
 - (51) **LOC (10) Cl.** **19-06**
 - (52) **U.S. Cl.**
USPC **D19/113**
 - (58) **Field of Classification Search**
USPC D6/300–314, 700; D19/88, 90, 91, 113;
D20/10, 27, 39, 40, 42; 40/538, 584,
40/607.01, 611.01; 248/441.1, 444.1;
312/230; 434/408, 410, 415, 416;
D3/284, 304, 310–314, 901, 903;
D9/418, 420, 432
- See application file for complete search history.

- 6,464,507 B1 * 10/2002 Bailey 434/247
- D484,542 S * 12/2003 Hassell D19/75
- D605,718 S * 12/2009 Jenkins D21/781
- D615,773 S * 5/2010 Fojtasek D6/467
- D639,563 S * 6/2011 Chilewich et al. D3/313
- D696,725 S * 12/2013 Sasken-Duff et al. D19/91
- 2012/0196269 A1 * 8/2012 Ureles et al. 434/415
- 2013/0101979 A1 4/2013 Shanbour, II et al.
- 2013/0106055 A1 5/2013 Knox

* cited by examiner

Primary Examiner — Elizabeth Albert

(74) *Attorney, Agent, or Firm* — Beacon Patent Intelligence;
Eugene H. Nahm

(57) **CLAIM**

The ornamental design for a coaching board, as shown and described.

DESCRIPTION

FIG. 1 is a top, front and left side perspective view of the coaching board showing my new design;
 FIG. 2 is a top plan view of FIG. 1;
 FIG. 3 is a bottom plan view of FIG. 1;
 FIG. 4 is a right side elevation view of FIG. 1;
 FIG. 5 is a left side elevation view of FIG. 1;
 FIG. 6 is a front elevation view of FIG. 1;
 FIG. 7 is a rear elevation view of FIG. 1;
 FIG. 8 is a top, front and left side perspective view of FIG. 1 in an open position;
 FIG. 9 is a top plan view of FIG. 8;
 FIG. 10 is a bottom plan view of FIG. 8;
 FIG. 11 is a right side elevation view of FIG. 8;
 FIG. 12 is a left side elevation view of FIG. 8;
 FIG. 13 is a front elevation view of FIG. 8; and,
 FIG. 14 is a rear elevation view of FIG. 8.

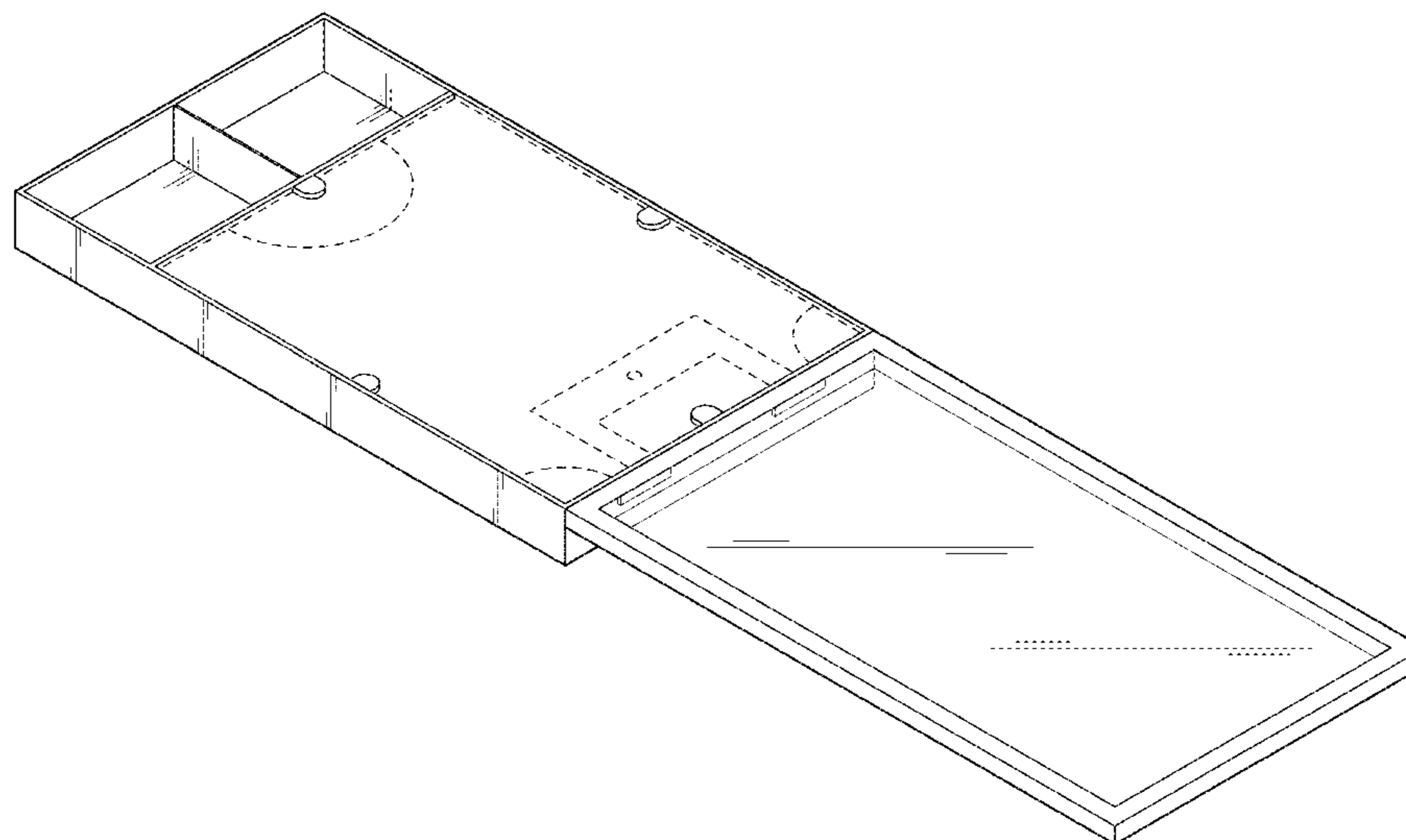
The broken lines in FIGS. 1, 2, 8 and 9 are included to show features on the coaching board that form no part of the claimed design.

1 Claim, 7 Drawing Sheets

(56) **References Cited**

U.S. PATENT DOCUMENTS

- D169,577 S * 5/1953 Burtchaell D3/313
- 3,685,170 A * 8/1972 Fairleigh 434/248
- 3,703,291 A * 11/1972 Lutz 273/317.3
- 3,785,254 A * 1/1974 Mann 493/148
- D235,785 S * 7/1975 Collister D24/226
- D263,561 S * 3/1982 Wong D3/295
- D292,249 S * 10/1987 Stade D6/406.3
- D308,609 S * 6/1990 Handler et al. D6/436
- D318,419 S * 7/1991 Jensen et al. D9/737
- 5,163,547 A * 11/1992 Hsieh 206/1.7
- D334,308 S * 3/1993 Verina D3/284
- 5,263,866 A * 11/1993 Campbell 434/416
- D375,620 S * 11/1996 Chan D3/20
- 5,807,195 A * 9/1998 Westbrook 473/447
- 5,827,072 A * 10/1998 Neuffer et al. 434/416
- D460,984 S * 7/2002 McGowan D19/90
- D461,318 S * 8/2002 Ueno D6/302



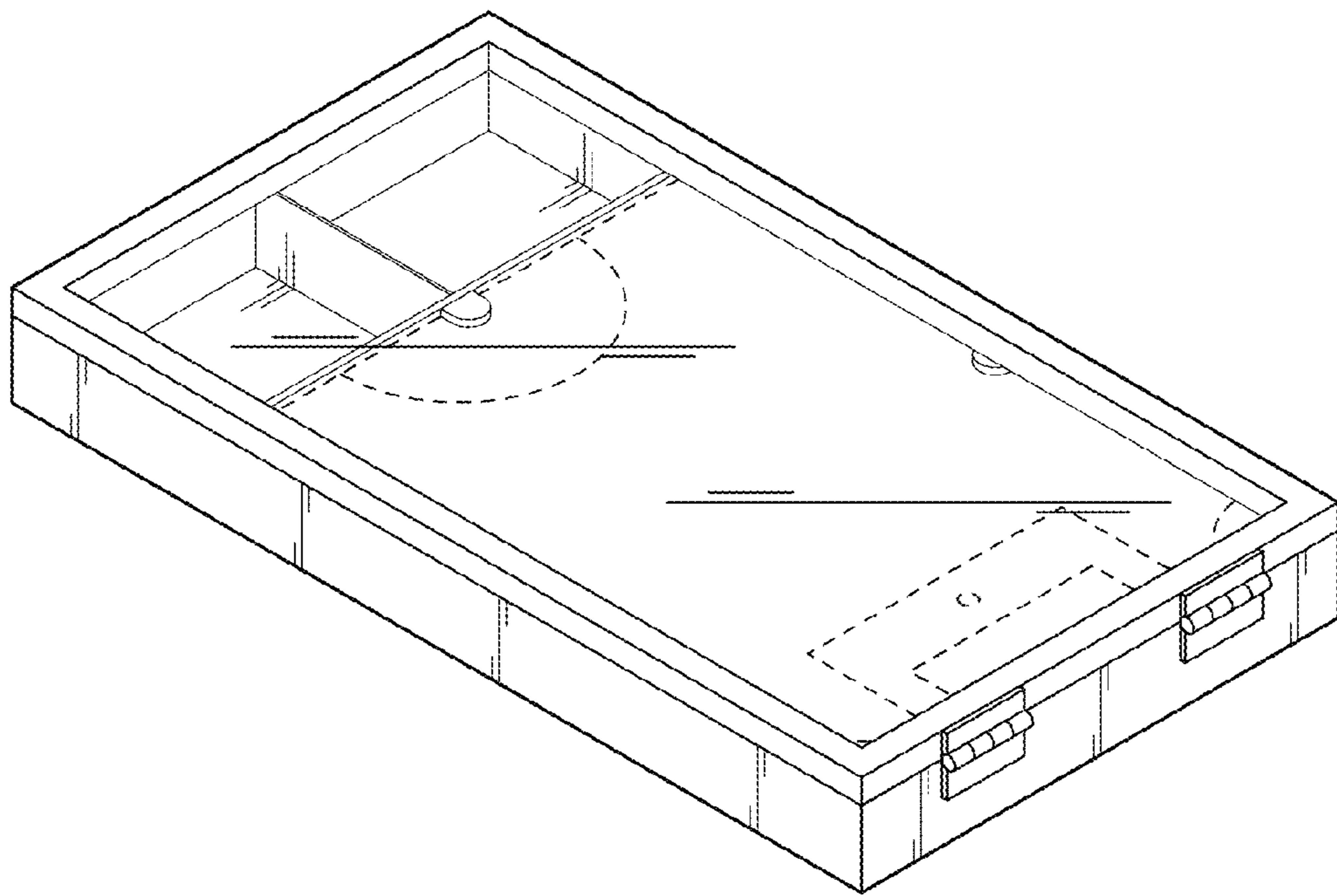


FIG. 1

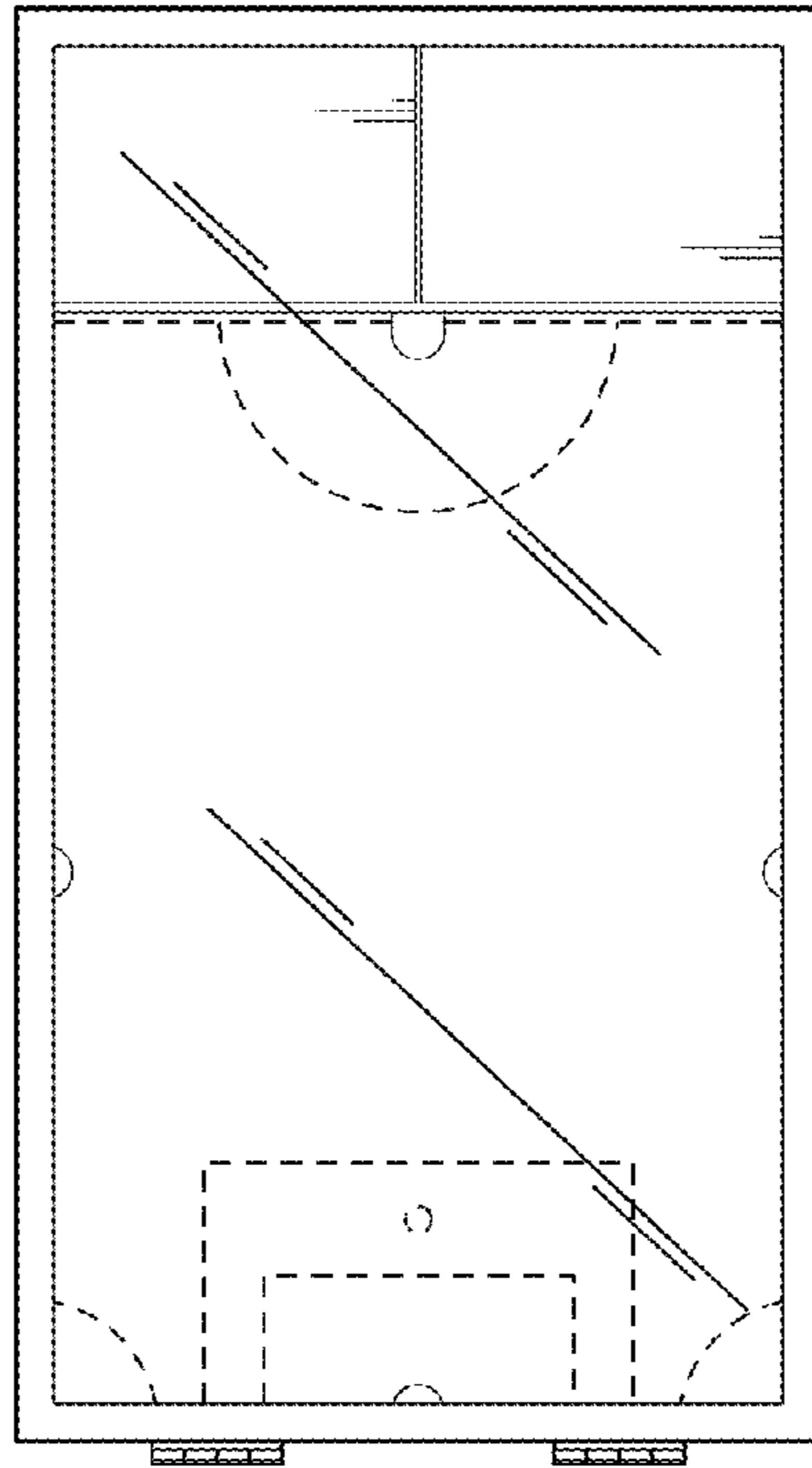


FIG. 2

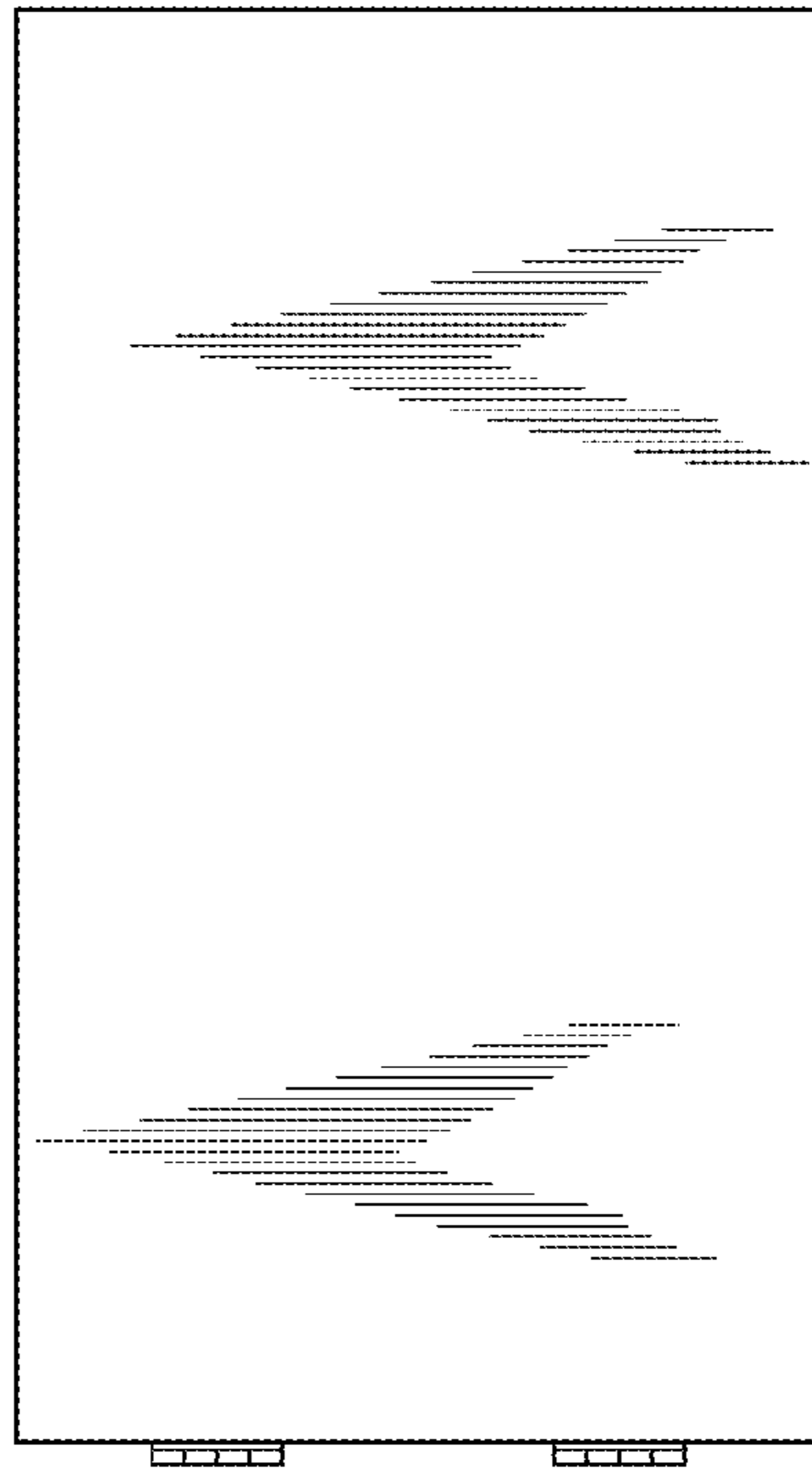


FIG. 3

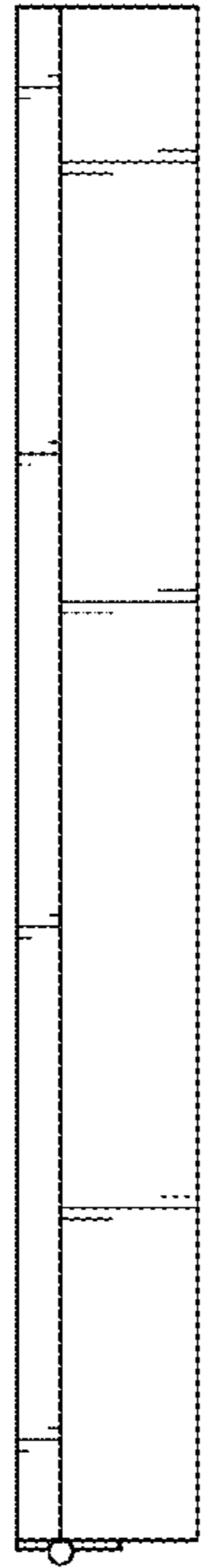


FIG. 4



FIG. 5



FIG. 6



FIG. 7

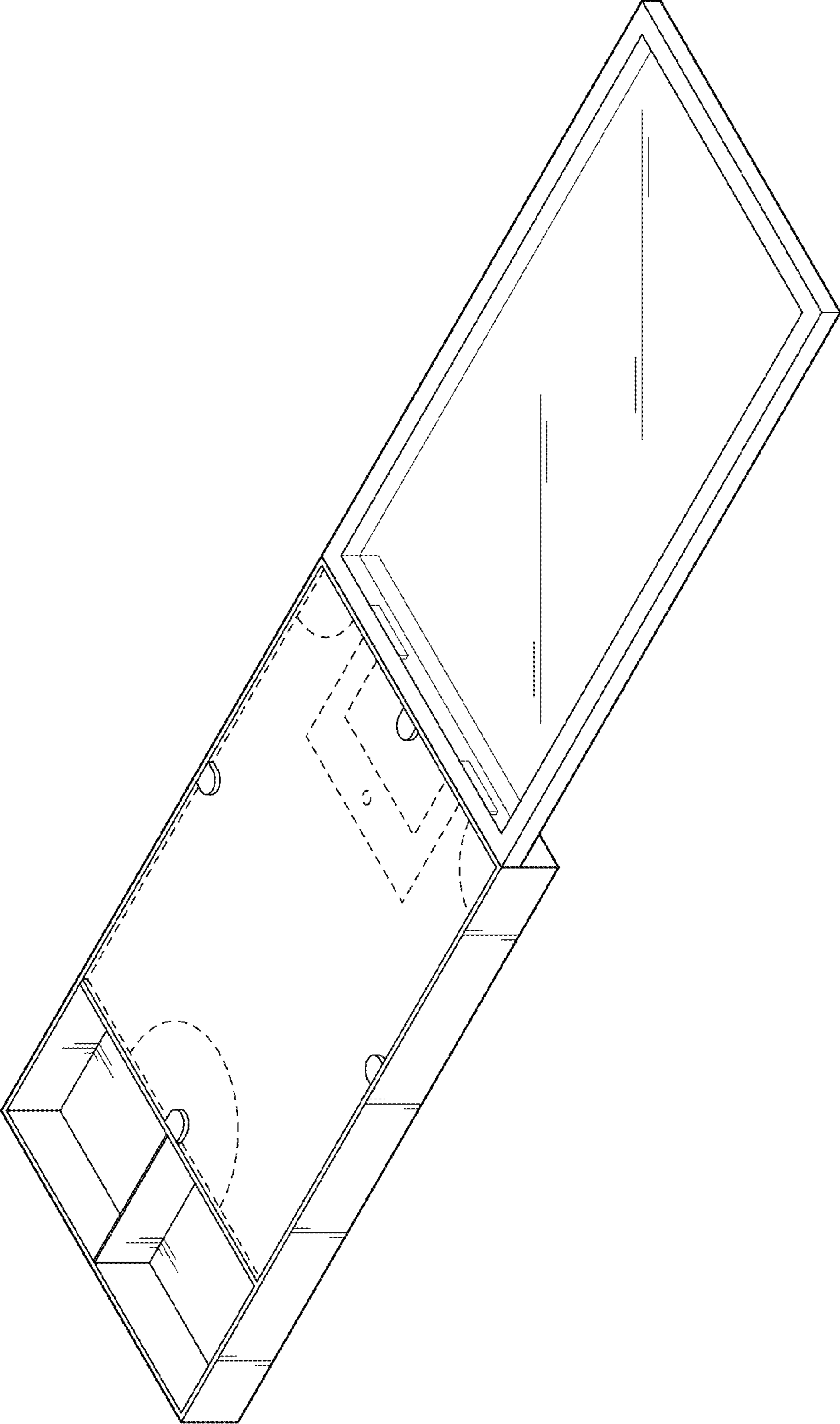


FIG. 8

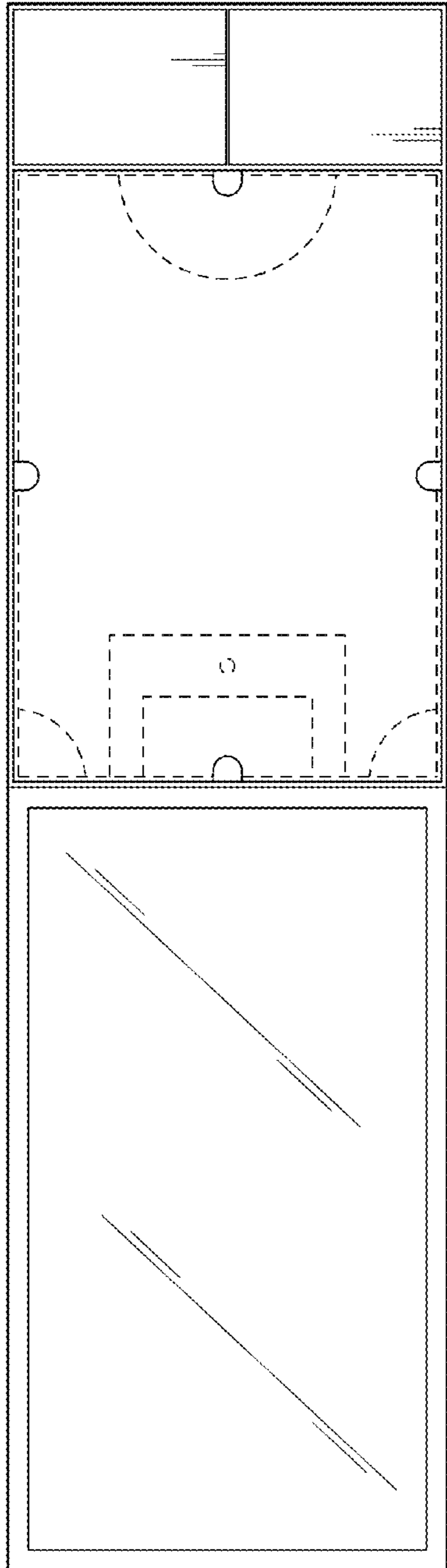


FIG. 9

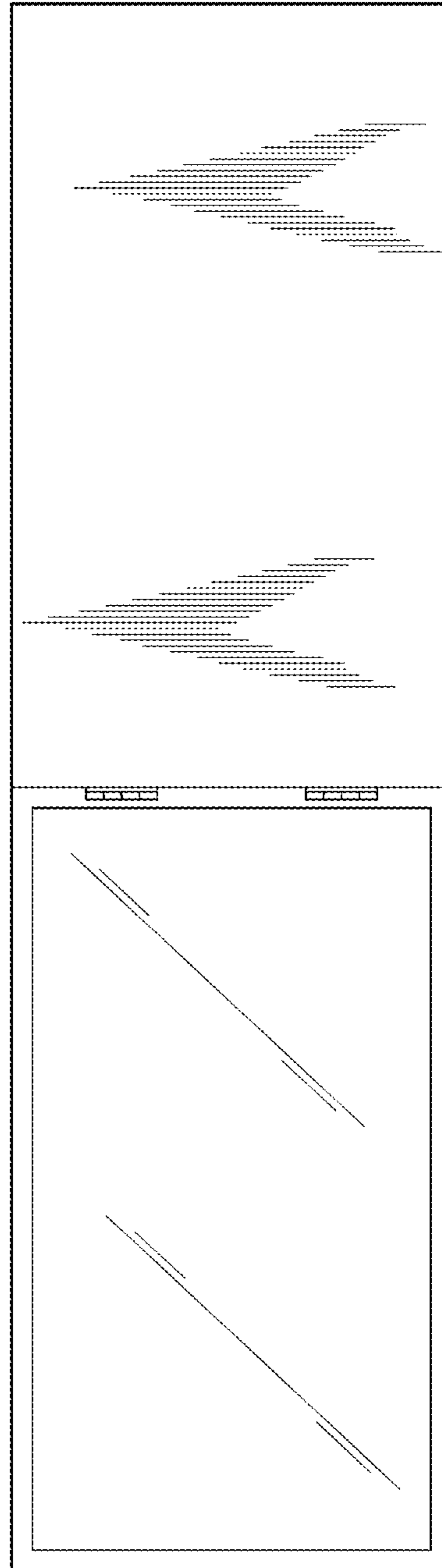


FIG. 10

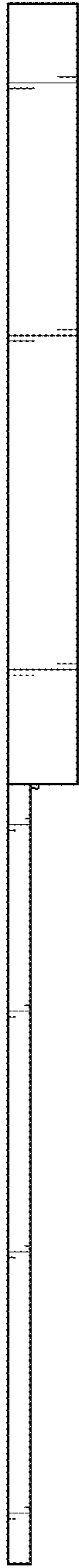


FIG. 11



FIG. 12



FIG. 13

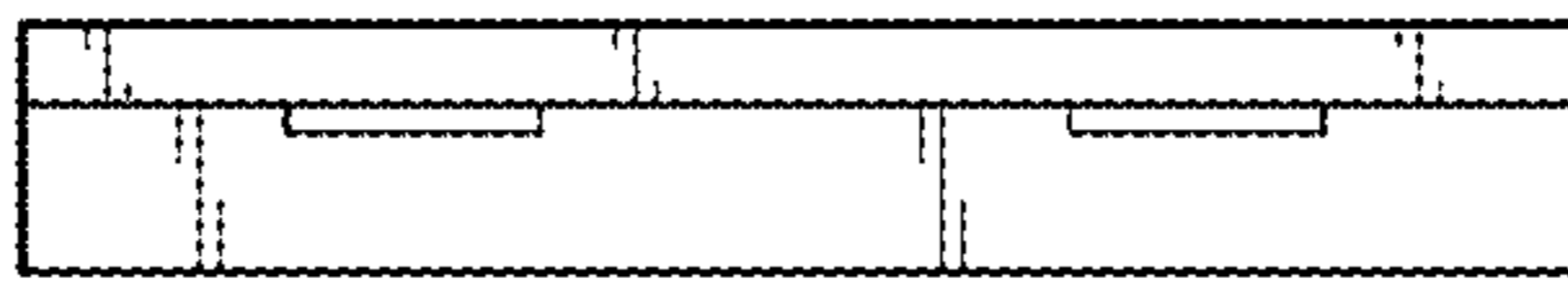


FIG. 14