



US0D1041245S

(12) **United States Design Patent** (10) **Patent No.:** **US D1,041,245 S**
Yao (45) **Date of Patent:** **** Sep. 10, 2024**

(54) **BOTTLE LID**

B65D 47/06; B65D 47/061; B65D 47/121; B65D 47/122; B65D 47/125;
(Continued)

(71) Applicant: **Everich And Tomic Housewares Co., Ltd, ZheJiang (CN)**

(56) **References Cited**

(72) Inventor: **Huajun Yao, Hangzhou (CN)**

U.S. PATENT DOCUMENTS

(**) Term: **15 Years**

D608,140 S * 1/2010 Gilbert D7/392.1
D609,970 S * 2/2010 Richau D7/533
(Continued)

(21) Appl. No.: **29/858,168**

(22) Filed: **Oct. 28, 2022**

FOREIGN PATENT DOCUMENTS

(30) **Foreign Application Priority Data**

CN 304215208 * 7/2017
CN 305315800 * 8/2019

May 18, 2022 (CN) 202230294916.8

(51) **LOC (14) Cl.** **07-01**

OTHER PUBLICATIONS

(52) **U.S. Cl.**
USPC **D7/392.1; D7/396.2**

Prurex Flip Lid, posted May 18, 2023 [online], [retrieved Mar. 27, 2024]. Retrieved from internet, <https://www.amazon.com/dp/B0C5MF92Q4> (Year: 2023).*

(58) **Field of Classification Search**

USPC D7/387, 391, 392, 392.1, 396.2, 396.3, D7/509, 510, 511, 512, 528, 533, 534, D7/536, 601, 602, 619.1, 619.2, 620, 621, D7/622, 623, 624.1, 624.2, 624.3, 625, D7/628, 629, 630, 709, 710, 529, 532, D7/608, 514, 393, 300-322; D9/435, D9/436, 440, 441, 443, 445, 447, 454, D9/449, 453, 516, 450, 439; D3/201, D3/202; D24/127
CPC A45F 3/16; A45F 3/18; A45F 2200/0583; A45F 2003/163; A45F 5/02; A47G 19/127; A47G 19/2205; A47G 19/22; A47G 19/2216; A47G 19/2266; A47G 19/23; A47G 19/24; A47G 23/16; A47G 19/2272; A47J 41/00; A47J 41/02; A47J 41/022; A47J 41/024; A47J 41/026; A47J 41/028; A47J 41/0011; A47J 41/0044; B65D 81/38; B65D 81/3837; B65D 11/00; B65D 11/04; B65D 45/00; B65D 2543/00046; B65D 2543/00055; B65D 2543/00092; B65D 2543/00564; B65D 47/04; B65D 47/043; B65D 47/046;

(Continued)

Primary Examiner — Vy N Koenig
Assistant Examiner — Yen L Southwood

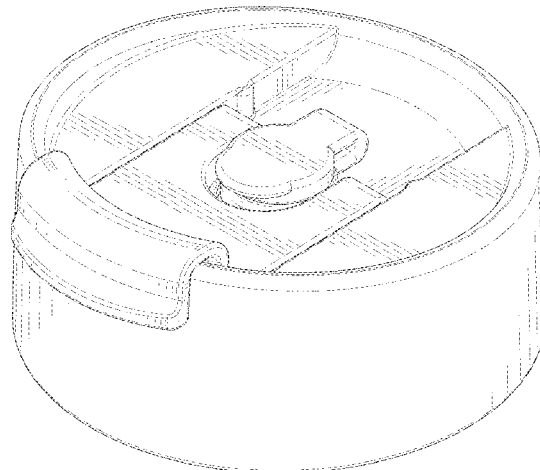
(57) **CLAIM**

The ornamental design for a bottle lid, as shown and described.

DESCRIPTION

FIG. 1 is a front and top perspective view of a bottle lid, showing my new design;
FIG. 2 is a rear and top perspective view thereof;
FIG. 3 is a rear and bottom perspective view thereof;
FIG. 4 is a front elevation view thereof;
FIG. 5 is a rear elevation view thereof;
FIG. 6 is a left side elevation view thereof;
FIG. 7 is a right side elevation view thereof;
FIG. 8 is a top plan view thereof; and,
FIG. 9 is a bottom plan view thereof.

(Continued)



The broken lines in the figures illustrate portions of the bottle lid that form no part of the claimed design.

1 Claim, 9 Drawing Sheets

(58) Field of Classification Search

CPC B65D 47/127; B65D 43/0231; B65D 43/0229; B65D 47/065; B65D 47/0876; B65D 47/248; B65D 7/04; B65D 51/18; B65D 77/283; B65D 47/265; B65D 23/0871; B65D 81/3841; B65D 81/3876; B67D 1/0004; A61J 7/0038; B29C 45/02; B29C 45/14

See application file for complete search history.

(56)

References Cited

U.S. PATENT DOCUMENTS

D644,060	S	*	8/2011	Komeiji	D7/392.1
D719,023	S	*	12/2014	Hu	D9/449
D721,540	S	*	1/2015	Grcic	D7/511
D789,737	S	*	6/2017	Eyal	D7/300.1
D836,395	S	*	12/2018	Seiders	D7/532
D836,974	S	*	1/2019	Seiders	D7/392.1
D844,383	S	*	4/2019	Seiders	D7/532
D856,069	S	*	8/2019	Barber	D7/392.1
D880,941	S	*	4/2020	Silby	D7/532

D886,514	S	*	6/2020	Kander	D7/392.1
D902,646	S	*	11/2020	Seiders	D7/392.1
D914,455	S	*	3/2021	Haskins	D7/510
D934,028	S	*	10/2021	Haskins	D7/510
D941,627	S	*	1/2022	Lown	D9/449
D945,211	S	*	3/2022	Yao	D7/392.1
D986,008	S	*	5/2023	Ames	D7/510
D1,003,662	S	*	11/2023	Chiu	D7/532
D1,005,788	S	*	11/2023	Lapsker	D7/510
D1,006,538	S	*	12/2023	Xu	D7/392.1
D1,007,241	S	*	12/2023	Yin	D7/510
D1,020,384	S	*	4/2024	Chen	D7/532
2005/0045634	A1	*	3/2005	Ward	A47G 19/2272 220/254.3
2010/0288782	A1	*	11/2010	Lin	A47G 19/22 220/752
2023/0225530	A1	*	7/2023	Stuhl	A47G 19/2205 220/703

OTHER PUBLICATIONS

Global Sources Coffee Mug, posted date unknown [online], [retrieved Mar. 27, 2024]. Retrieved from internet, <https://www.globalsources.com/Plastic-water/Water-Bottle-1191355689p.htm>.*

Navaris Stainless Steel Water Bottle, posted Nov. 27, 2020 [online], [retrieved Mar. 27, 2024]. Retrieved from internet, <https://www.amazon.co.uk/Navaris-Stainless-Steel-Water-Bottle/dp/B08P7DRG9Y> (Year: 2020).*

* cited by examiner

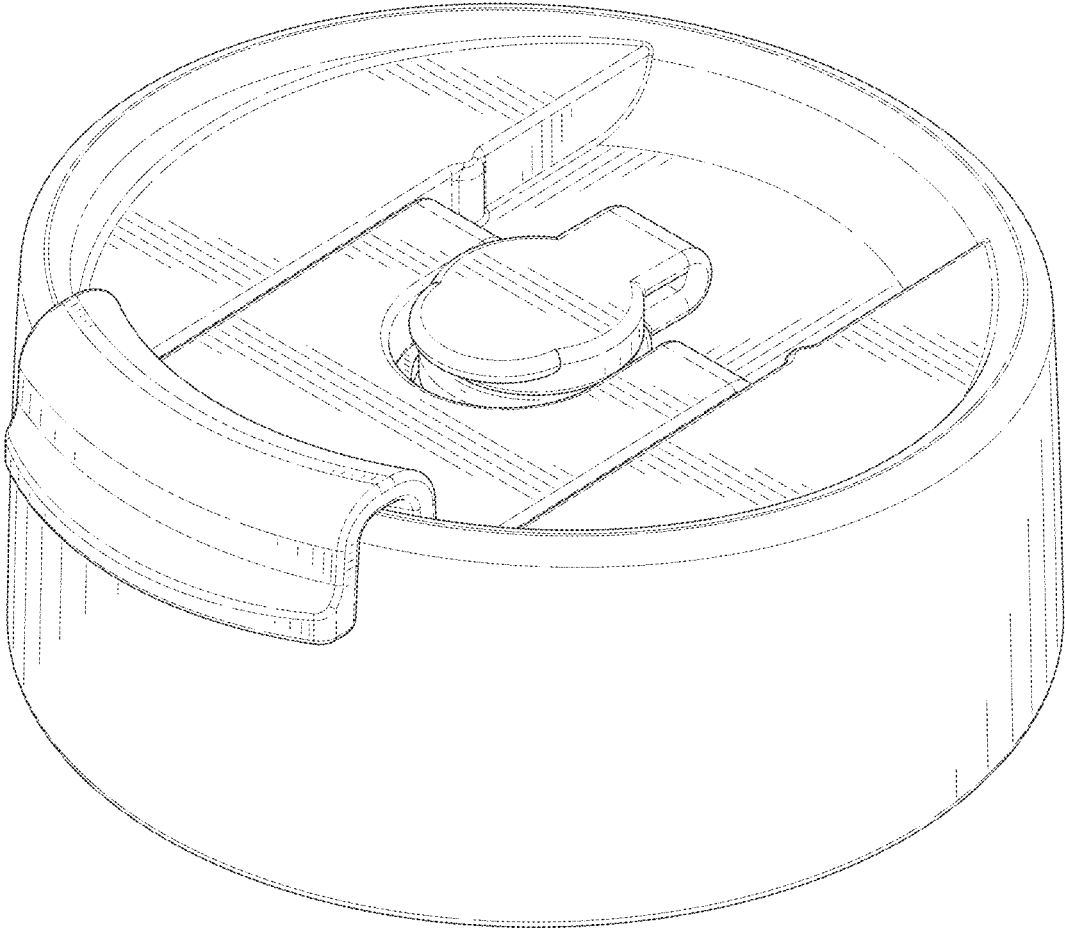


FIG. 1

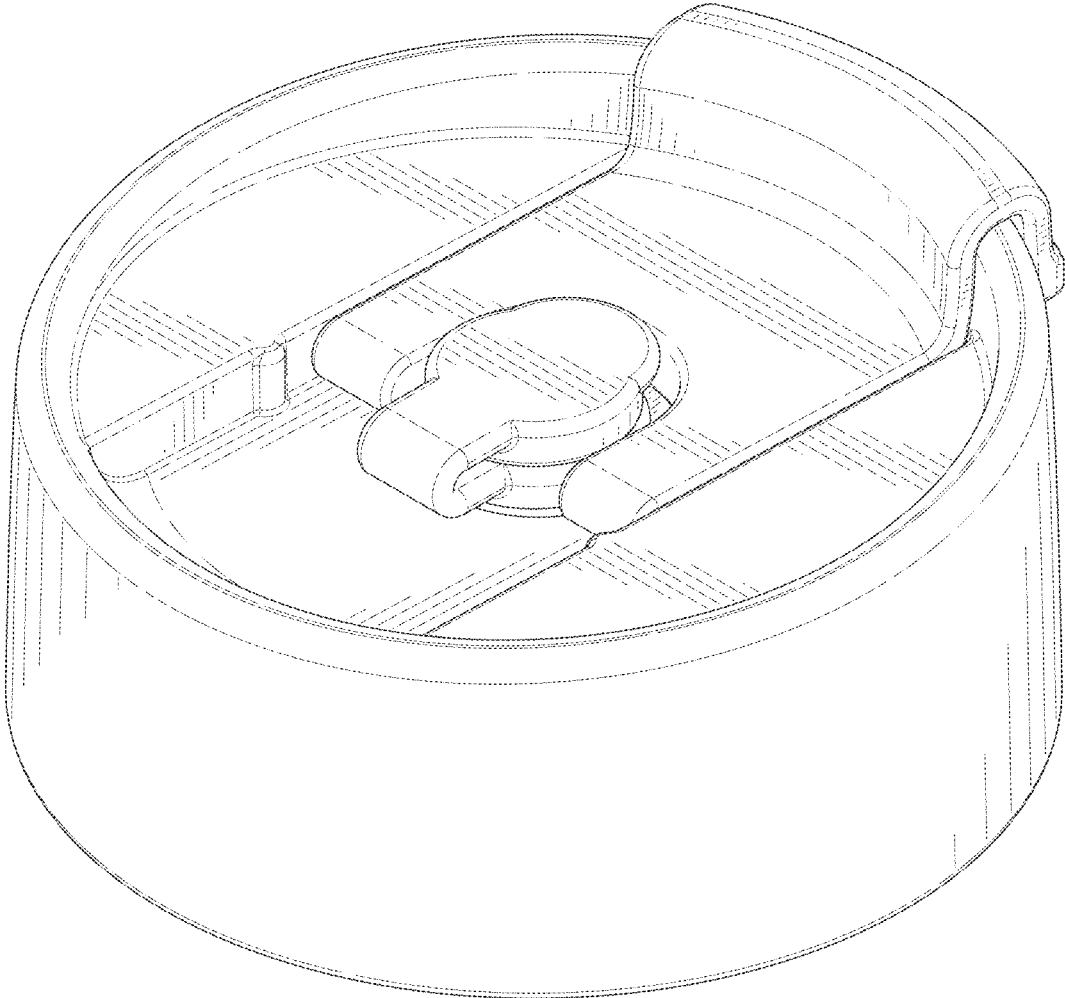


FIG. 2

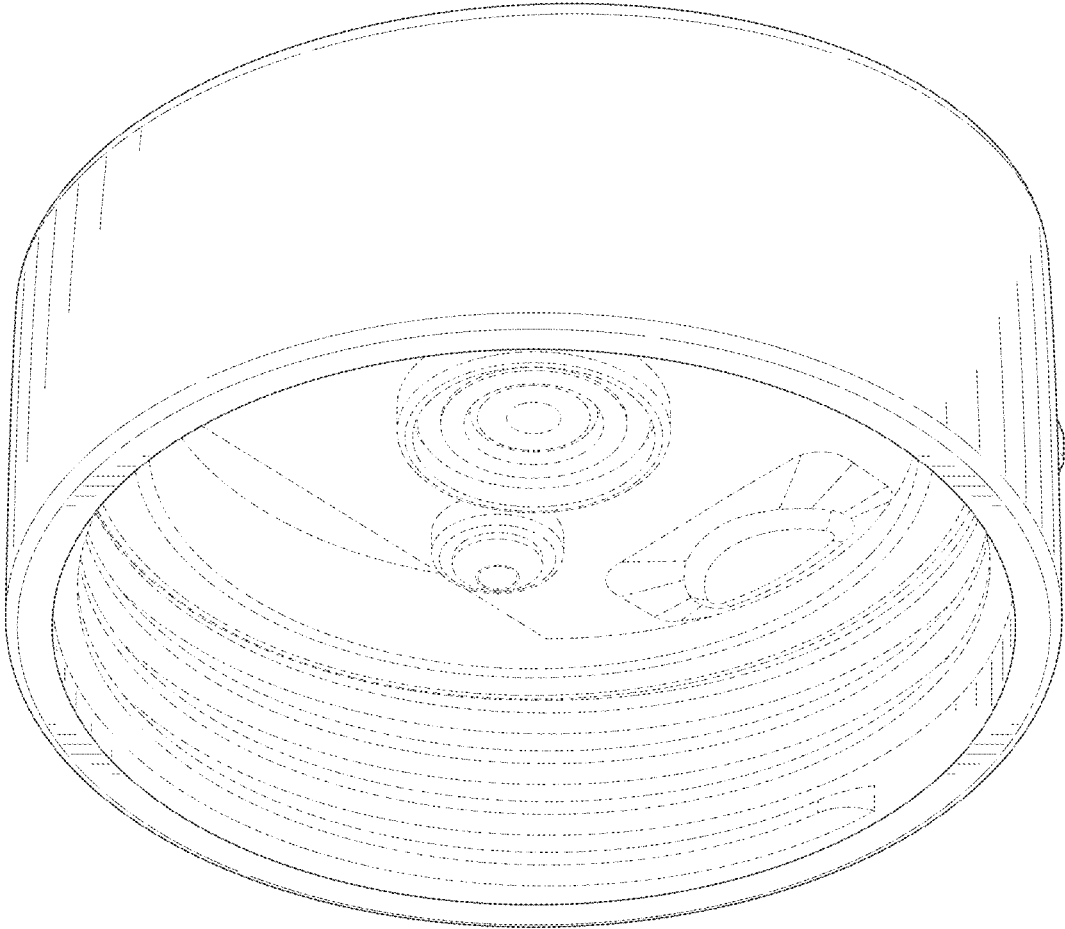


FIG. 3

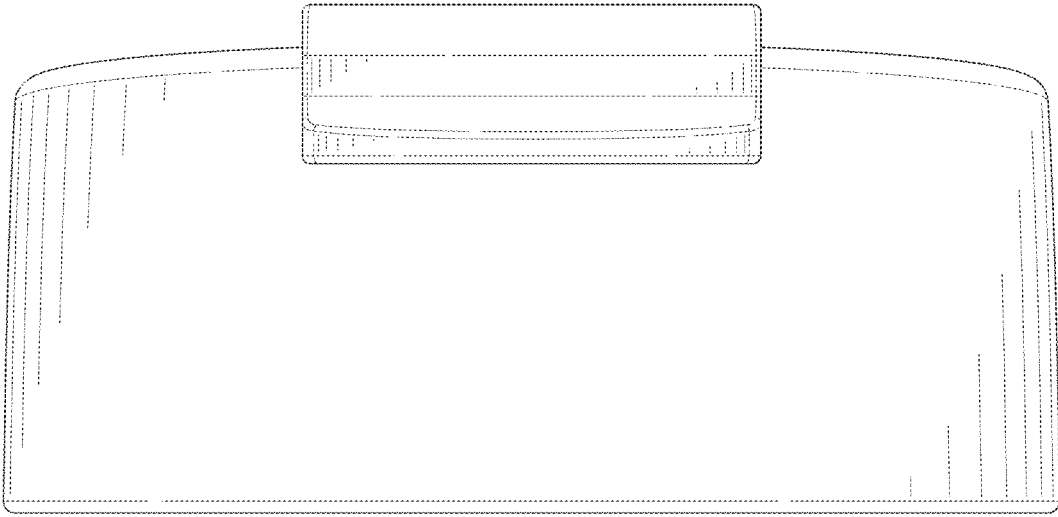


FIG. 4

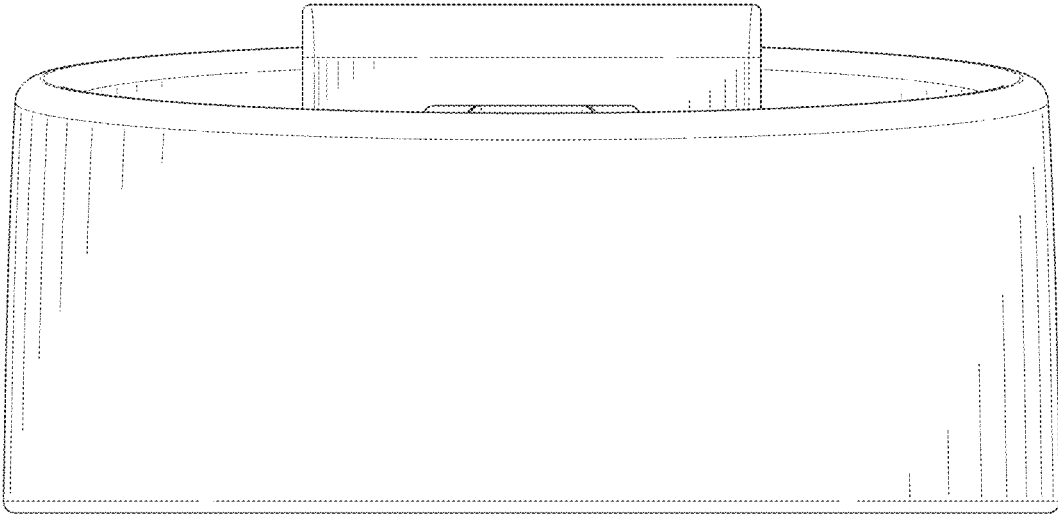


FIG. 5

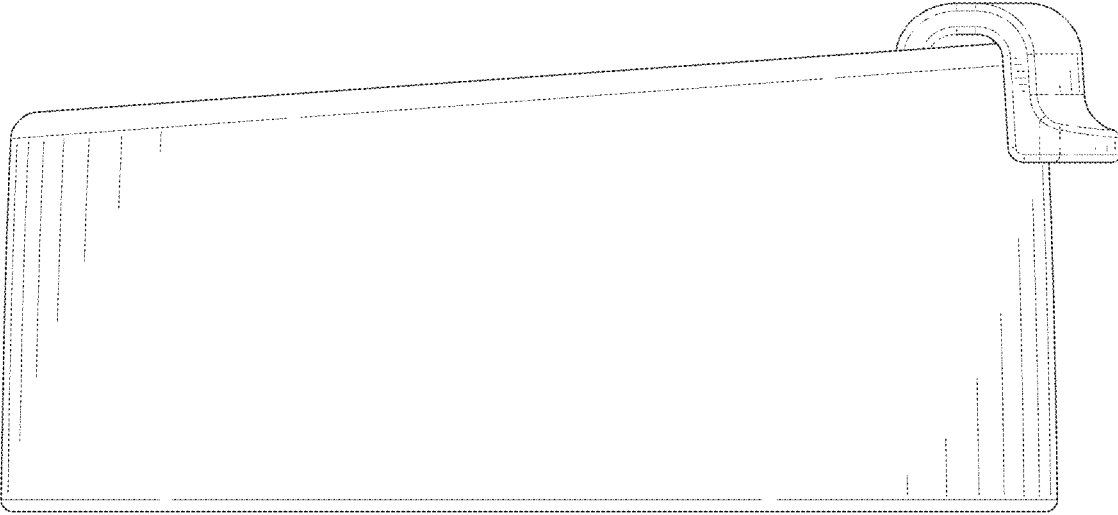


FIG. 6

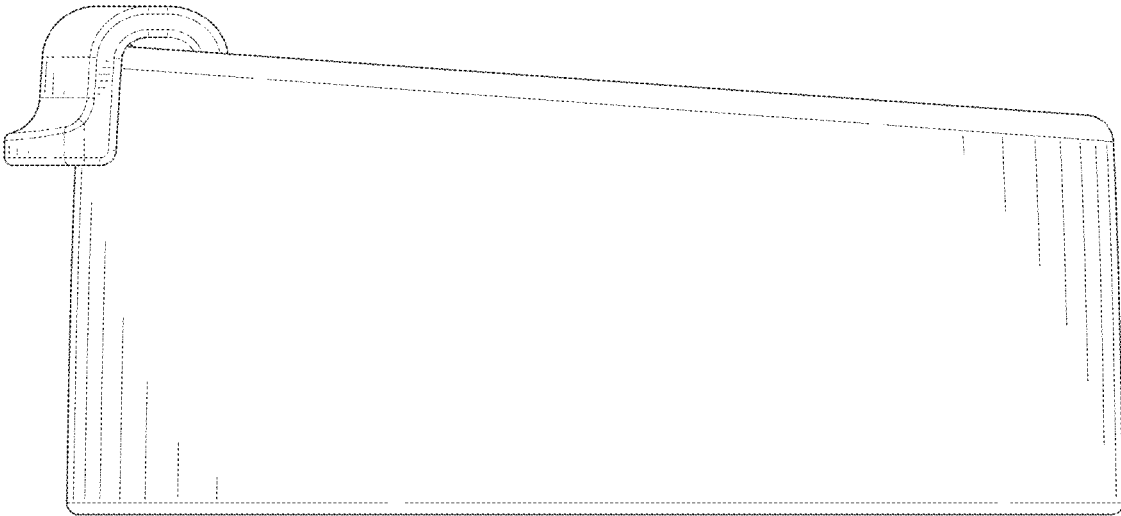


FIG. 7

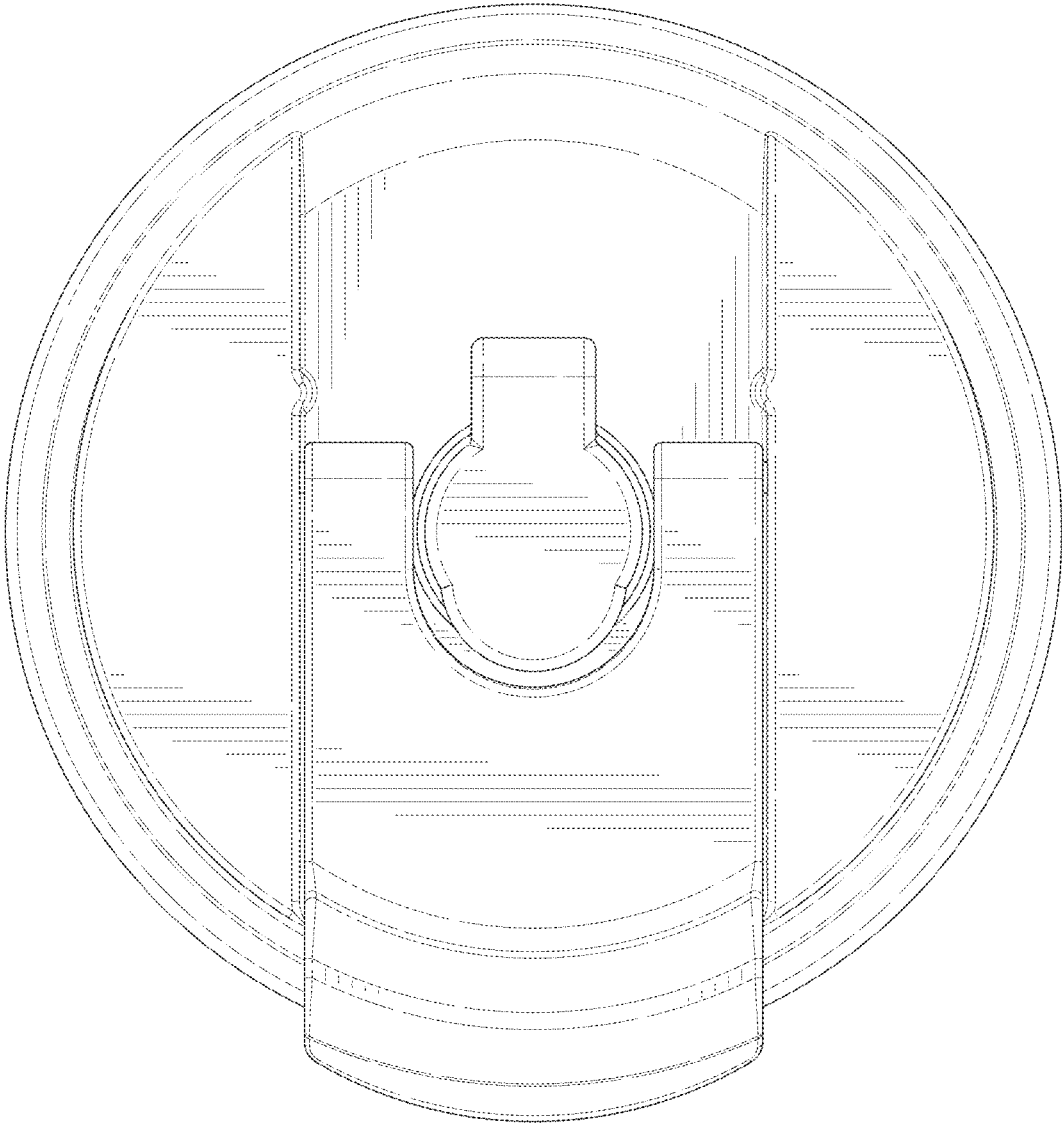


FIG. 8

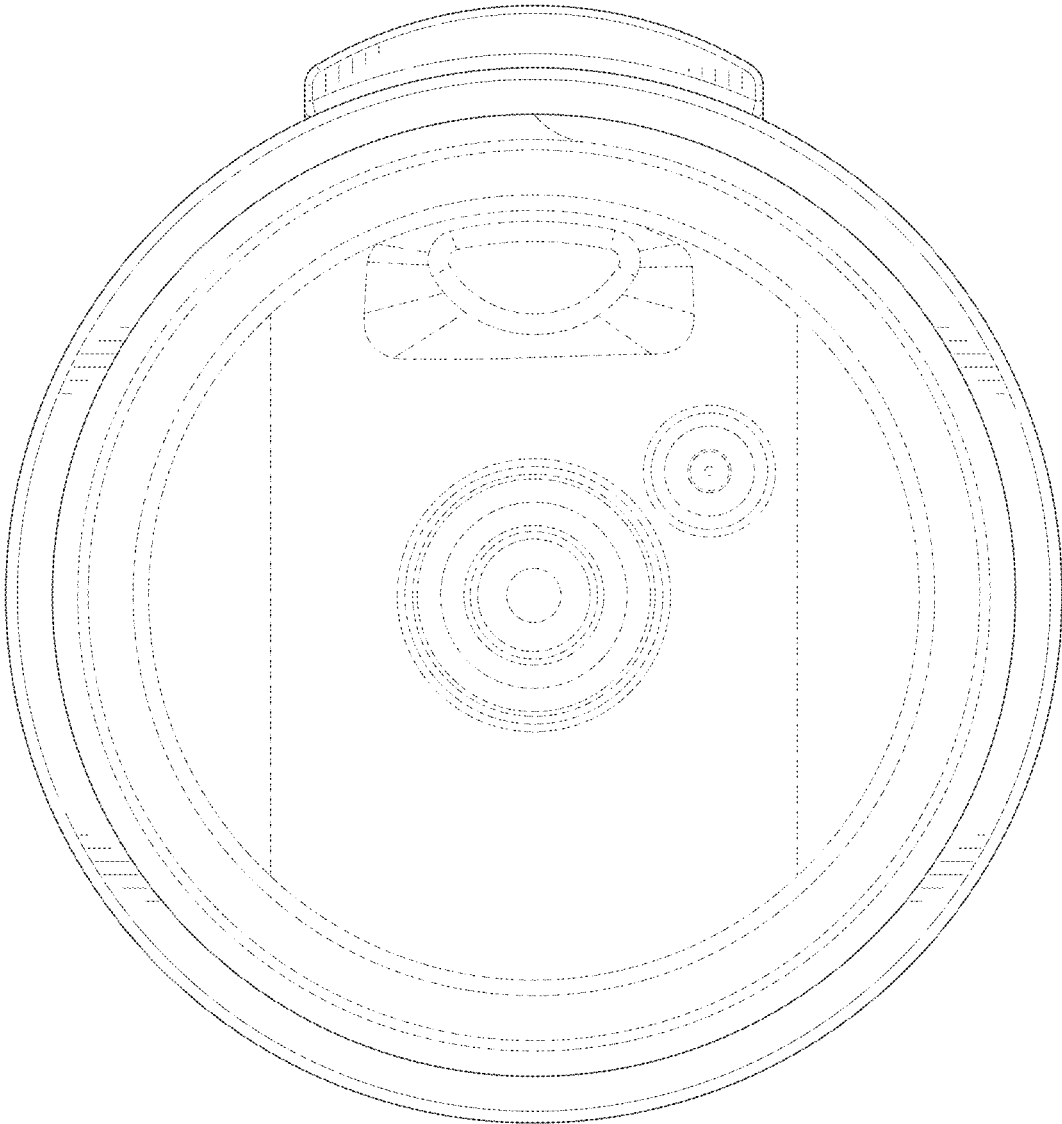


FIG. 9