



US0D1035538S

(12) **United States Design Patent**  
**Thai**

(10) **Patent No.:** **US D1,035,538 S**

(45) **Date of Patent:** **\*\* Jul. 16, 2024**

- (54) **WHEEL**
- (71) Applicant: **Wheel Pros, LLC**, Greenwood Village, CO (US)
- (72) Inventor: **Alvin Thai**, Buena Park, CA (US)
- (73) Assignee: **Wheel Pros LLC**, Greenwood Village, CO (US)
- (\*\*) Term: **15 Years**
- (21) Appl. No.: **29/855,372**
- (22) Filed: **Oct. 2, 2022**
- (51) **LOC (14) Cl.** ..... **12-16**
- (52) **U.S. Cl.**  
USPC ..... **D12/209**
- (58) **Field of Classification Search**  
USPC ..... D12/204, 205, 206, 207, 208, 209–213;  
D15/5; D21/563  
CPC .... B60B 7/00; B60B 7/02; B60B 7/04; B60B  
7/01; B60B 7/06; B60B 3/02; B60B 3/04;  
B60B 3/06; B60B 3/10; B60B 1/00;  
B60B 1/08; B60B 1/10; B60B 1/12  
See application file for complete search history.

D496,317 S	9/2004	Kataoka	
D499,684 S	12/2004	Cheng	
D502,438 S	3/2005	Weld	
D504,859 S	5/2005	Sulahian	
D505,374 S	5/2005	Aleman	
D510,307 S	10/2005	Howes	
D522,949 S *	6/2006	Elmitt .....	D12/211
D523,797 S	6/2006	Gallert	
D524,212 S	7/2006	Phillips	
D524,220 S	7/2006	Scheu	
D524,315 S	7/2006	Reusing et al.	
D526,262 S *	8/2006	Guevara .....	D12/209
D528,495 S	9/2006	Truebsbach	
D542,209 S	5/2007	Pfeiffer	
D547,253 S *	7/2007	Muzzarelli .....	D12/211
D549,148 S	8/2007	Buschmann	
D551,148 S *	9/2007	Musser .....	D12/211
D569,776 S *	5/2008	Hieke .....	D12/211

(Continued)

(56) **References Cited**

**U.S. PATENT DOCUMENTS**

D291,796 S	9/1987	Reid	
D361,975 S	9/1995	Weld	
D391,216 S	2/1998	Ballmann	
D408,775 S	4/1999	Shikado	
D453,492 S	2/2002	Laengerer	
D455,698 S	4/2002	Chung	
D463,349 S *	9/2002	Vian .....	D12/209
D467,212 S	12/2002	Noriega	
D470,094 S	2/2003	van Hooydonk	
D480,036 S *	9/2003	Laengerer .....	D12/211
D482,996 S	12/2003	Sulahian	
D492,925 S	7/2004	Fitzgerald	

**OTHER PUBLICATIONS**

Darkstar \_ Wheel Pros, posted date unknown [online]. [retrieved Nov. 15, 2023]. Retrieved from internet, <https://www.wheelpros.com/fuel-1pc-darkstar> (Year: 2023)\*

(Continued)

*Primary Examiner* — Darlington Ly  
*Assistant Examiner* — Jeremy Koenig  
(74) *Attorney, Agent, or Firm* — Eric Hanscom

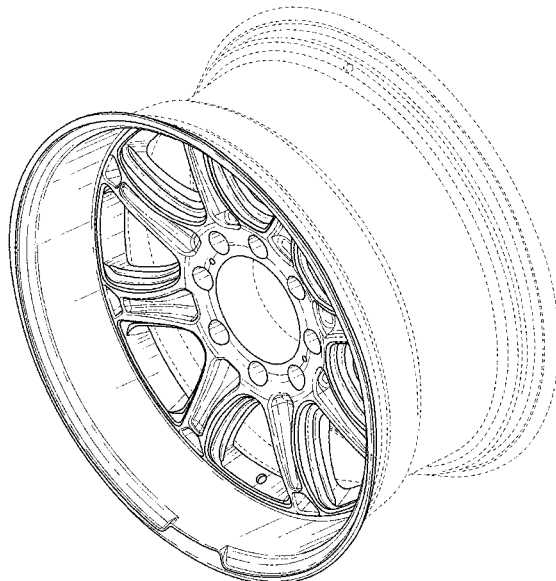
(57) **CLAIM**

The ornamental design for a wheel, as shown and described.

**DESCRIPTION**

FIG. 1 is a perspective view of a wheel showing my new design; and,  
FIG. 2 is a front elevation view thereof.  
In the drawings, the broken lines depict portions of the wheel that form no part of the claimed design.

**1 Claim, 2 Drawing Sheets**



(56)

References Cited

U.S. PATENT DOCUMENTS

D569,777 S	5/2008	Chung	
D577,650 S	9/2008	Chung	
D579,845 S	11/2008	Chung	
D582,831 S	12/2008	Musser	
D596,009 S	7/2009	Sawhney et al.	
D598,357 S	8/2009	Chung	
D617,723 S	6/2010	Zhao	
D621,771 S *	8/2010	Truebsbach	D12/211
D623,109 S	9/2010	Markefka	
D635,903 S	4/2011	Zhang	
D649,922 S *	12/2011	Hans	D12/211
D654,007 S	2/2012	Nissl	
D654,420 S	2/2012	Guay	
D660,771 S	5/2012	Mueller-Stolz	
D669,009 S	10/2012	Chung	
D686,554 S *	7/2013	Pollmann	D12/209
D686,961 S	7/2013	Chung	
D695,193 S	12/2013	Kong	
D698,298 S	1/2014	Cortes	
D698,300 S	1/2014	Chung	
D702,172 S	4/2014	Chung	
D704,117 S	5/2014	Chung	
D704,617 S	5/2014	Chung	
D706,197 S	6/2014	Chung	
D707,167 S	6/2014	Chung	
D709,020 S	7/2014	Chung	
D713,316 S	9/2014	Song	
D714,207 S	9/2014	Kim	
D717,709 S	11/2014	Valencia Pollex	
D719,893 S	12/2014	Kim	
D726,623 S *	4/2015	Alfonso	D12/211
D726,630 S *	4/2015	Kong	D12/211
D731,946 S	6/2015	Chung	
D733,025 S *	6/2015	Chung	D12/211
D742,293 S	11/2015	Chung	
D748,033 S *	1/2016	Carter	D12/211
D753,046 S	4/2016	Liffick	
D756,882 S	5/2016	Tirado	
D766,805 S	9/2016	Chung	
D769,785 S	10/2016	Wells	
D780,655 S	3/2017	Trim	
D788,680 S *	6/2017	Mielke	D12/211
D798,786 S	10/2017	Chung	
D798,789 S	10/2017	Kong	
D799,395 S	10/2017	Chung	
D800,633 S	10/2017	Kong	
D802,512 S	11/2017	Kong	
D805,454 S	12/2017	Kong	
D805,455 S	12/2017	Kong	
D807,805 S	1/2018	Caldwell	
D808,876 S	1/2018	Caldwell	
D817,845 S	5/2018	Guidry	
D821,284 S	6/2018	Tran	
D824,316 S	7/2018	Tran	
D826,827 S	8/2018	Tran	
D828,878 S *	9/2018	Sprowl	D21/563
D833,360 S	11/2018	Kong	
D835,023 S	12/2018	Tran	
D838,223 S	1/2019	Chung	
D840,900 S	2/2019	Lickliter	
D840,901 S	2/2019	Lickliter	
D840,902 S	2/2019	Lickliter	
D849,655 S	5/2019	Kong	
D850,349 S	6/2019	Lickliter	
D852,706 S	7/2019	Tran	
D860,899 S	9/2019	Lickliter	
D860,900 S	9/2019	Lickliter	
D860,901 S	9/2019	Lickliter	
D862,341 S	10/2019	Kong	
D863,177 S *	10/2019	Gregory	D12/209
D893,386 S	8/2020	Chung	
D896,729 S	9/2020	Chung	
D897,926 S	10/2020	Chung	
D899,999 S	10/2020	Kong	
D904,271 S	12/2020	Henderson	
D904,272 S	12/2020	Lickliter	
D909,272 S	2/2021	Chung	
D910,525 S	2/2021	Tran	
D911,245 S	2/2021	Chung	
D912,589 S	3/2021	Hale, Jr.	
D912,591 S	3/2021	Tran	
D918,810 S	5/2021	Lickliter	
D922,928 S	6/2021	Kong	
D927,386 S	8/2021	Lickliter	
D973,003 S *	12/2022	Hans	D12/209
D994,567 S *	8/2023	Watts	D12/209
D1,002,482 S *	10/2023	Battams	D12/209

OTHER PUBLICATIONS

Fuel Wheels Toyota 4-Runner Darkstar Matte Black, posted Jul. 24, 2021 [online], [retrieved Nov. 15, 2023]. Retrieved from internet, <https://www.extremeterrain.com/fuel-wheels-4runner-darkstar-matte-black-gloss-black-lip-wheel-20x9-1mm-offset-fc853mb20906701.html> (Year: 2021).\*

\* cited by examiner

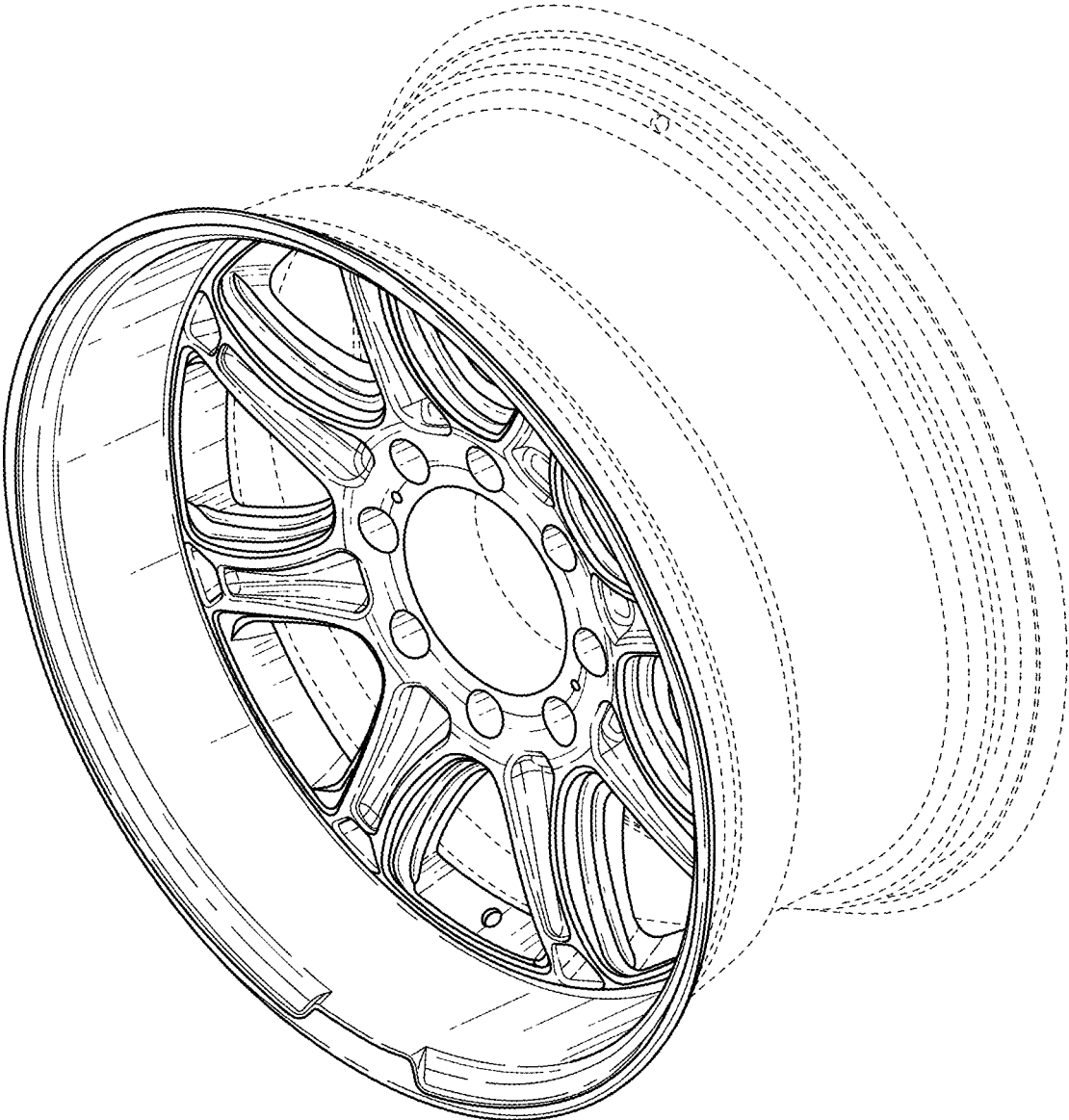


FIG. 1

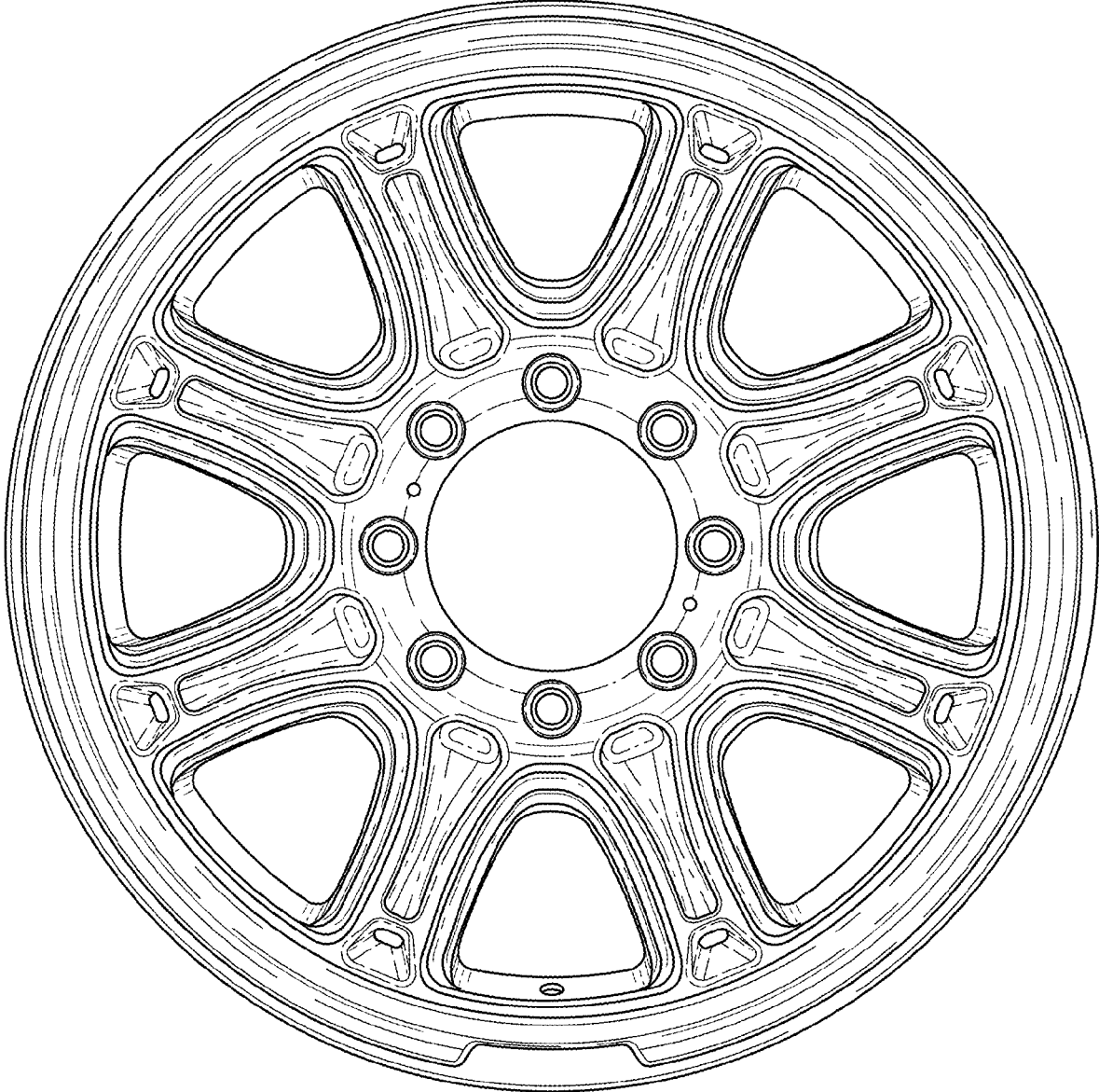


FIG. 2