



US00D667463S

(12) **United States Design Patent**  
**Tiefenthaler**

(10) **Patent No.:** **US D667,463 S**

(45) **Date of Patent:** **\*\* Sep. 18, 2012**

(54) **MUFFLER GUARD**

(75) **Inventor:** **Carl T. Tiefenthaler**, Jackson, WI (US)

(73) **Assignee:** **Briggs & Stratton Corporation**,  
Wauwatosa, WI (US)

(\*\*) **Term:** **14 Years**

(21) **Appl. No.:** **29/387,398**

(22) **Filed:** **Mar. 11, 2011**

(51) **LOC (9) Cl.** ..... **15-01**

(52) **U.S. Cl.** ..... **D15/5**

(58) **Field of Classification Search** ..... D15/143,  
D15/5, 1, 2, 3, 4, 6; D23/233; D13/147;  
251/129.01, 129.15

See application file for complete search history.

(56) **References Cited**

**U.S. PATENT DOCUMENTS**

D367,070	S	*	2/1996	Maeda et al.	.....	D15/1
D583,831	S	*	12/2008	Post et al.	.....	D15/5
D595,737	S	*	7/2009	Neeley et al.	.....	D15/1
D628,596	S	*	12/2010	Azuma	.....	D15/1

**OTHER PUBLICATIONS**

Professional Series 875 and 700 Series DOV engines, downloaded from website [www.briggsandstratton.com/engines/push-mower](http://www.briggsandstratton.com/engines/push-mower) on Jun. 14, 2011, 4 pages.

Briggs & Stratton 700 Series DOV engine, downloaded from website [www.usinenouvelle.com/industry/briggs-et-stratton-635/briggs-stratton-series-dov-p57879.html](http://www.usinenouvelle.com/industry/briggs-et-stratton-635/briggs-stratton-series-dov-p57879.html) on Jun. 14, 2011, 3 pages.

\* cited by examiner

*Primary Examiner* — T. Chase Nelson

*Assistant Examiner* — Ania Aman

(74) *Attorney, Agent, or Firm* — Foley & Lardner LLP

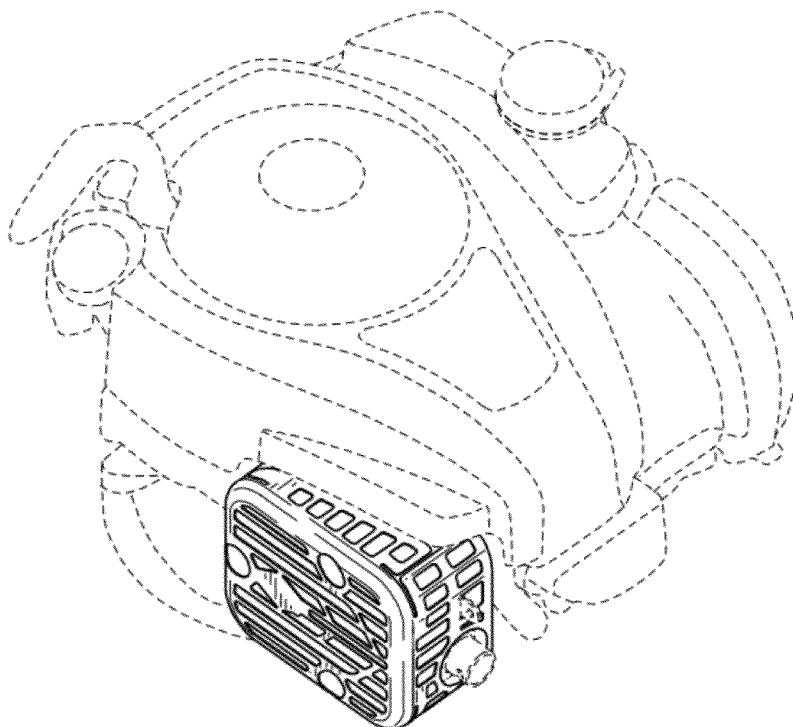
(57) **CLAIM**

I claim the ornamental design for a muffler guard, as shown and described.

**DESCRIPTION**

FIG. 1 is a front perspective view from above of a muffler guard showing my new design; FIG. 2 is a front view of the claimed design of FIG. 1; FIG. 3 is a right side view of the claimed design of FIG. 1; FIG. 4 is a rear view of the claimed design of FIG. 1; FIG. 5 is a left side view of the claimed design of FIG. 1; FIG. 6 is a top view of the claimed design of FIG. 1; and, FIG. 7 is a bottom side view of the claimed design of FIG. 1. The broken lines in the drawings are for illustrative purposes only and form no part of the claimed design.

**1 Claim, 7 Drawing Sheets**



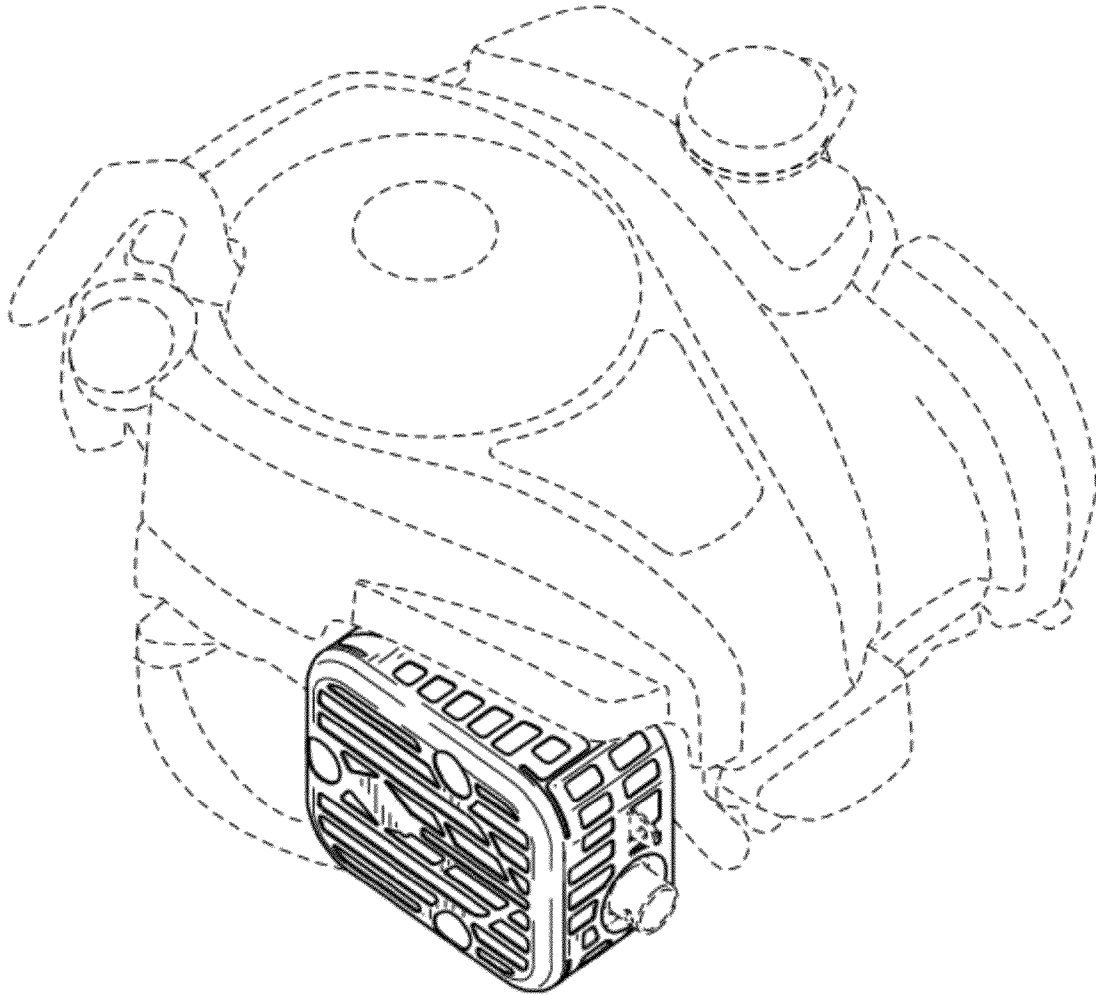


FIG. 1

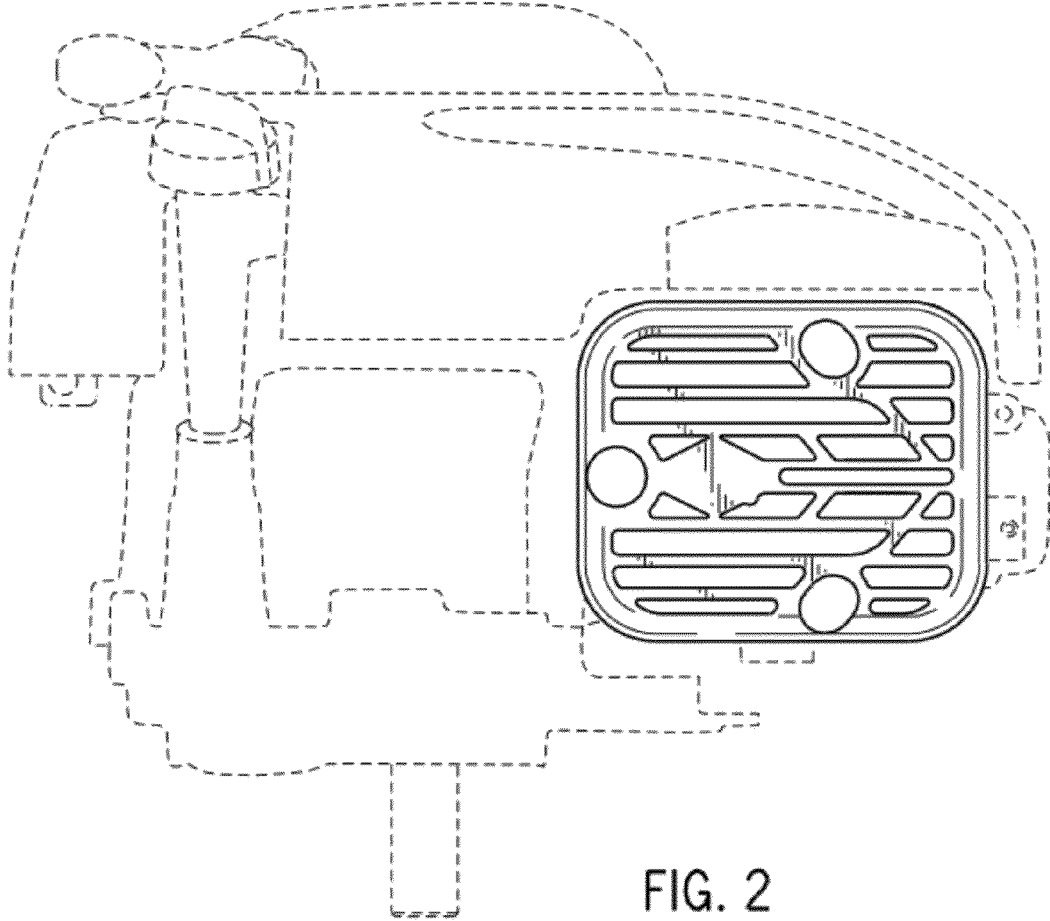


FIG. 2

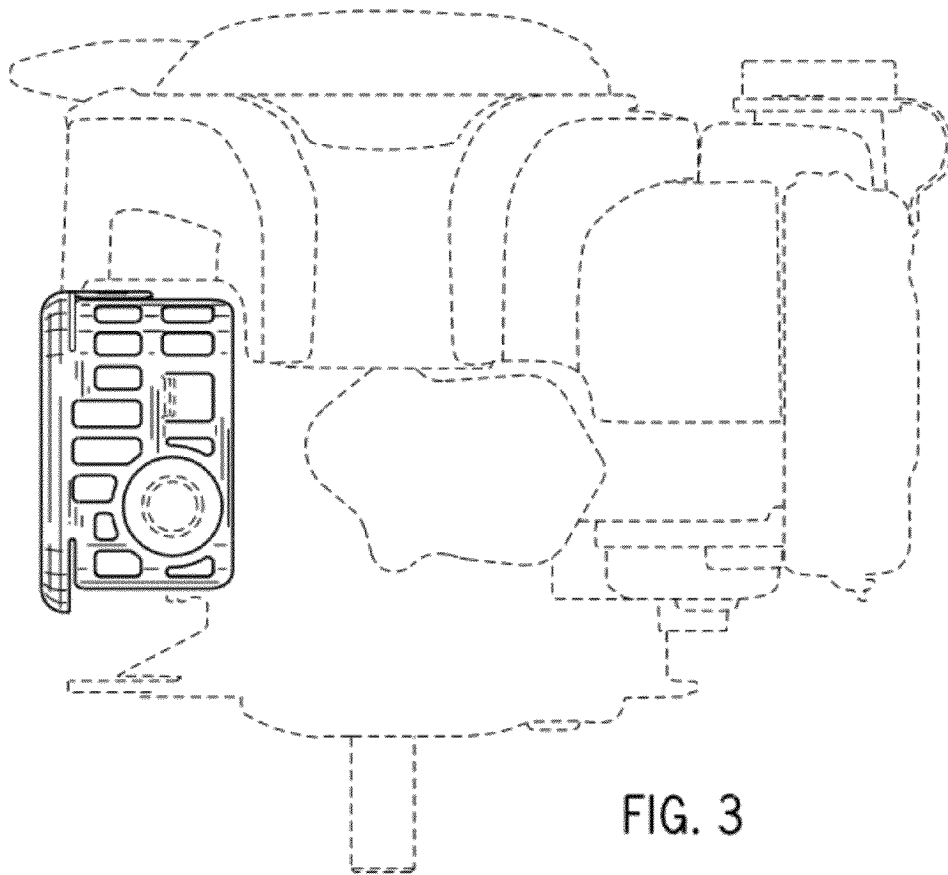


FIG. 3

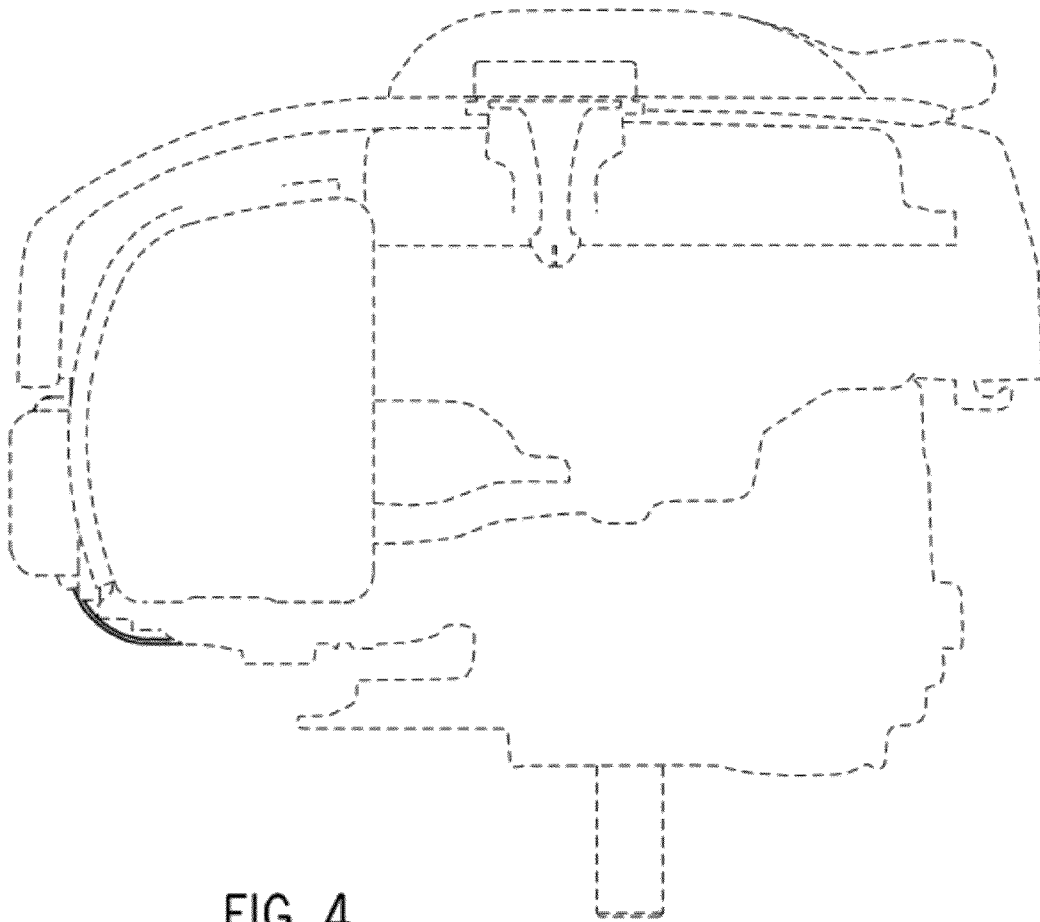


FIG. 4

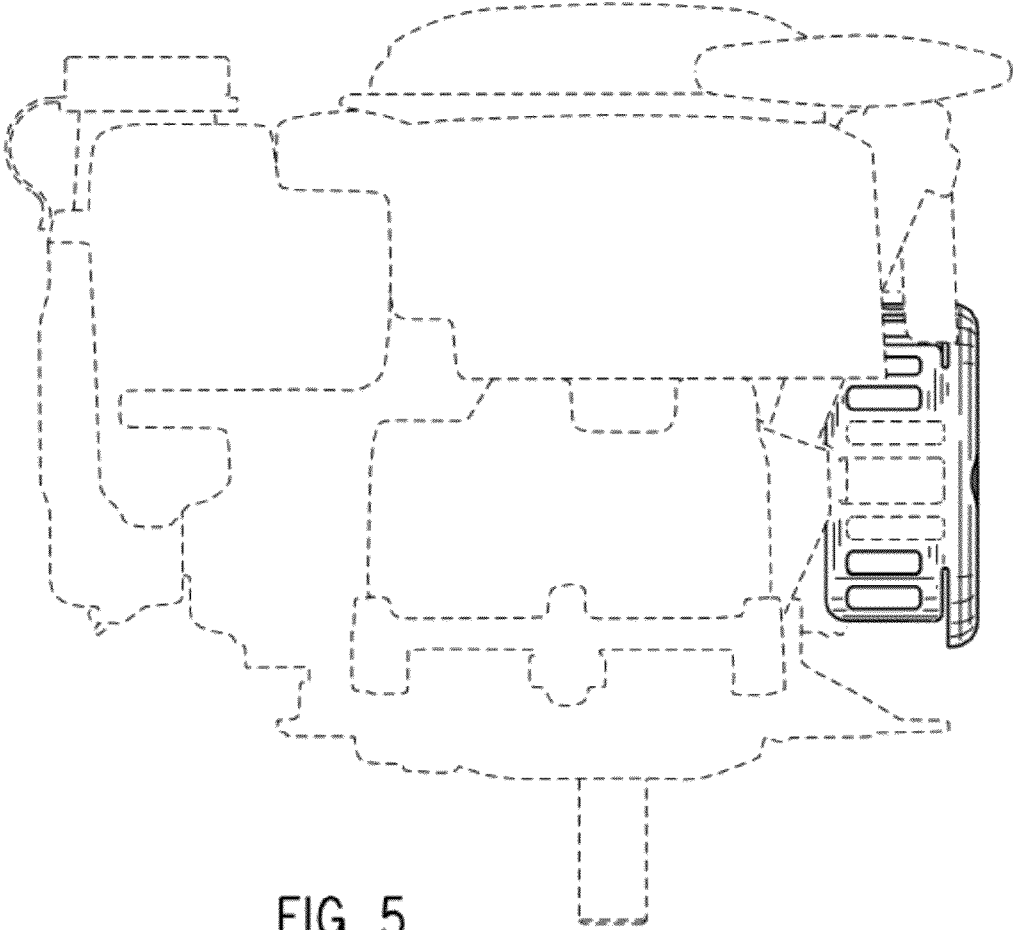


FIG. 5

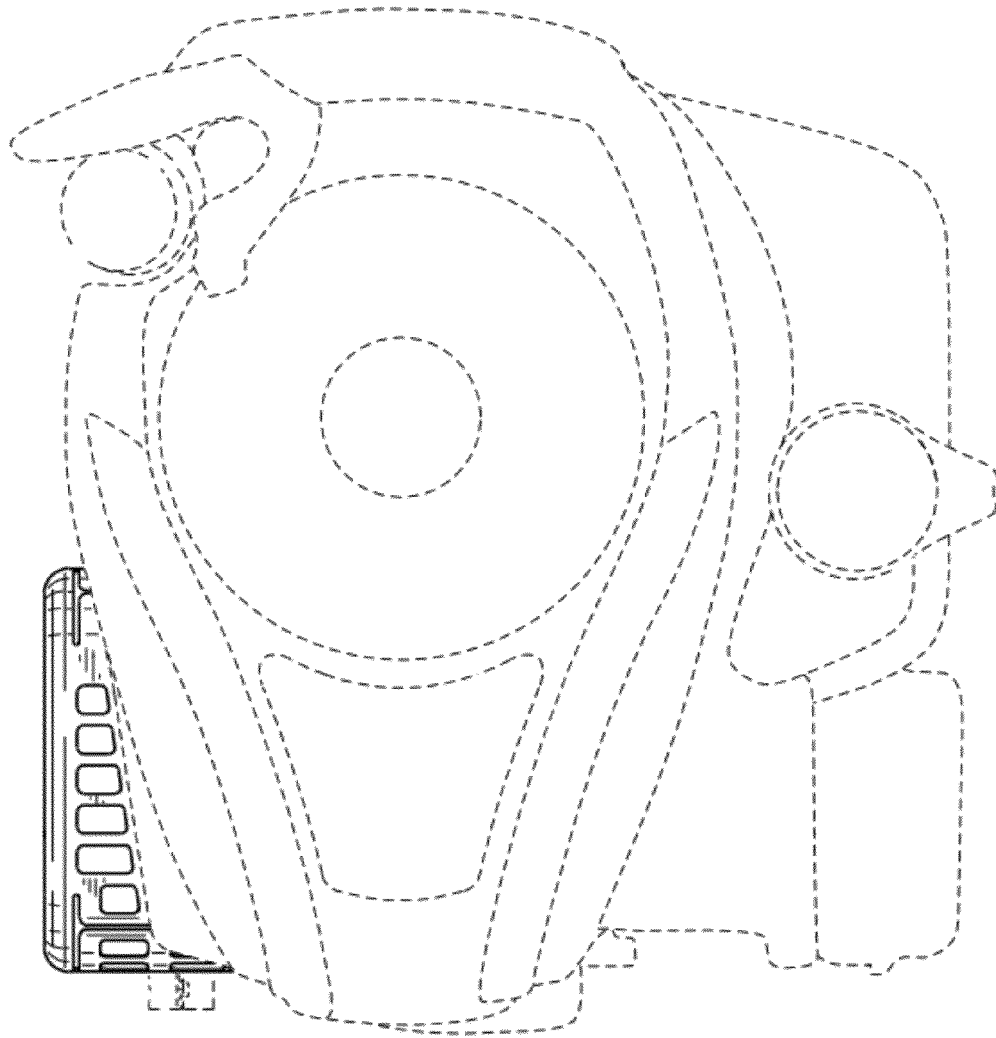


FIG. 6

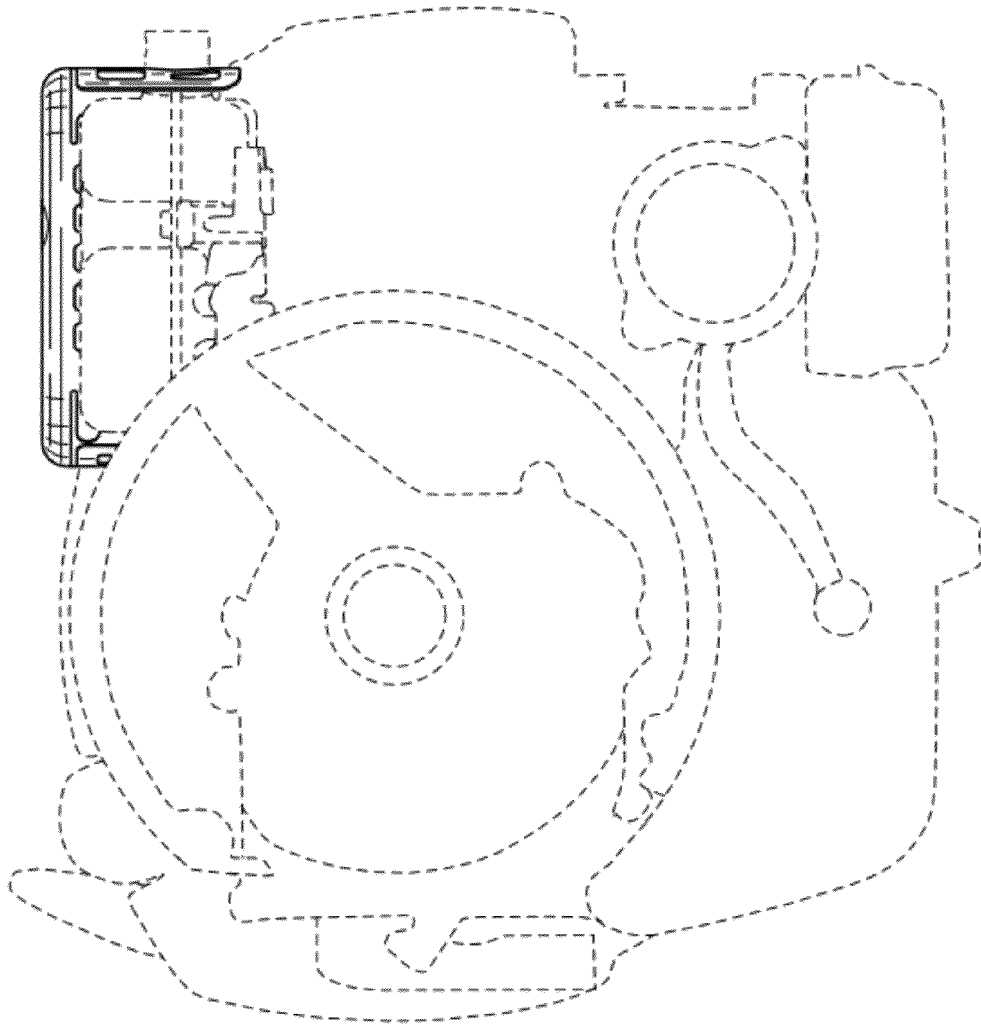


FIG. 7