



US00D985707S

(12) **United States Design Patent**  
**Jacobs**

(10) **Patent No.:** **US D985,707 S**

(45) **Date of Patent:** **\*\* May 9, 2023**

- (54) **WAVE POOL**
- (71) Applicant: **Louise Jacobs**, Aiken, SC (US)
- (72) Inventor: **Louise Jacobs**, Aiken, SC (US)
- (\*\*) Term: **15 Years**
- (21) Appl. No.: **29/800,187**
- (22) Filed: **Jul. 20, 2021**
- (51) **LOC (14) Cl.** ..... **21-03**
- (52) **U.S. Cl.**  
USPC ..... **D21/815; D21/803**
- (58) **Field of Classification Search**  
USPC ..... D21/801, 802, 803, 809, 815, 819;  
472/128; 482/55; 446/153  
CPC ... E04H 4/0012; E04H 4/0025; E04H 4/0018;  
E04H 4/00; E04H 4/0006; E04H 4/0031;  
E04H 4/0037; A01K 13/001; A47K 3/06;  
A47K 3/064; A47K 3/062; A47K 3/10  
See application file for complete search history.

5,615,881 A *	4/1997	Potter	.....	A63F 9/305	273/140
5,643,154 A	7/1997	Awbrey			
D386,566 S *	11/1997	Zankow	.....	D23/284	
6,019,547 A	2/2000	Hill			
7,264,580 B2	8/2007	Lu			
D564,604 S *	3/2008	Mikail	.....	D21/688	
8,733,295 B2 *	5/2014	Lipscomb	.....	A01K 15/025	119/707
D786,382 S *	5/2017	Lin	.....	D21/815	
D958,930 S *	7/2022	Mjelde	.....	D23/209	
2004/0018924 A1 *	1/2004	Szydowski	.....	A63B 22/18	482/146

(Continued)

**OTHER PUBLICATIONS**

House Beautiful, Polygroup Pet Pool, published Jul. 26, 2019 [online]. Retrieved from internet (Date: Dec. 14, 2022), <https://www.housebeautiful.com/lifestyle/kids-pets/a28510004/summer-pet-safety-tips/> (Year: 2019).\*

*Primary Examiner* — Katherine A Holbrow  
*Assistant Examiner* — Riya Salil Kamat

(56) **References Cited**

**U.S. PATENT DOCUMENTS**

1,961,061 A *	5/1934	McCulloch	.....	A47K 3/06	52/2.21
2,443,440 A *	6/1948	Octavio	.....	E04H 4/0025	383/3
2,616,096 A *	11/1952	Hasselquist	.....	E04H 4/0025	4/506
3,373,450 A *	3/1968	Brooks	.....	E04H 4/0018	4/488
3,486,289 A *	12/1969	Lavack	.....	E04H 4/0018	52/741.12
3,668,715 A *	6/1972	Chase	.....	E04H 4/0037	472/117
3,813,702 A *	6/1974	Diamond	.....	A63G 11/00	446/153
3,908,205 A *	9/1975	Chase	.....	E04H 4/0037	472/117
4,860,914 A *	8/1989	Derni	.....	E04H 4/0031	220/4.16

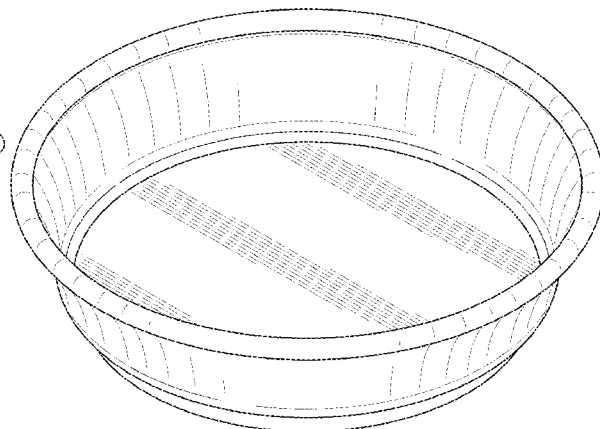
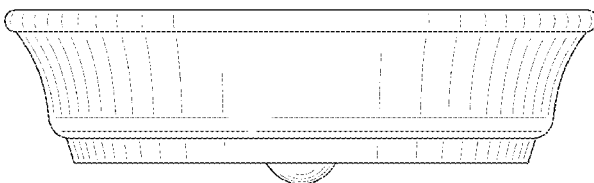
(57) **CLAIM**

I claim the ornamental design for a wave pool, as shown and described.

**DESCRIPTION**

FIG. 1 is a front view of the wave pool.  
FIG. 2 is a rear view of the claimed design.  
FIG. 3 is a left side view of the claimed design.  
FIG. 4 is a right side view of the claimed design.  
FIG. 5 is a top view of the claimed design.  
FIG. 6 is a bottom view of the claimed design.  
FIG. 7 is a perspective view of the claimed design; and,  
FIG. 8 is a cross-sectional view along line 8-8 in FIG. 5.  
The broken lines in FIG. 8 are environmental matter, and form no part of the claimed design.

**1 Claim, 5 Drawing Sheets**



(56)

**References Cited**

U.S. PATENT DOCUMENTS

2004/0198573 A1\* 10/2004 Brydson ..... A63B 21/0004  
482/146  
2015/0107015 A1\* 4/2015 Ng ..... E04H 4/06  
4/504

\* cited by examiner

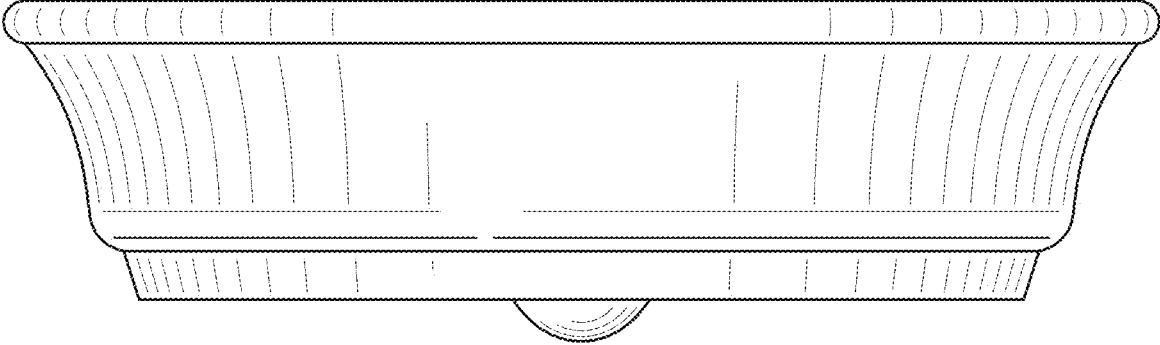


FIG. 1

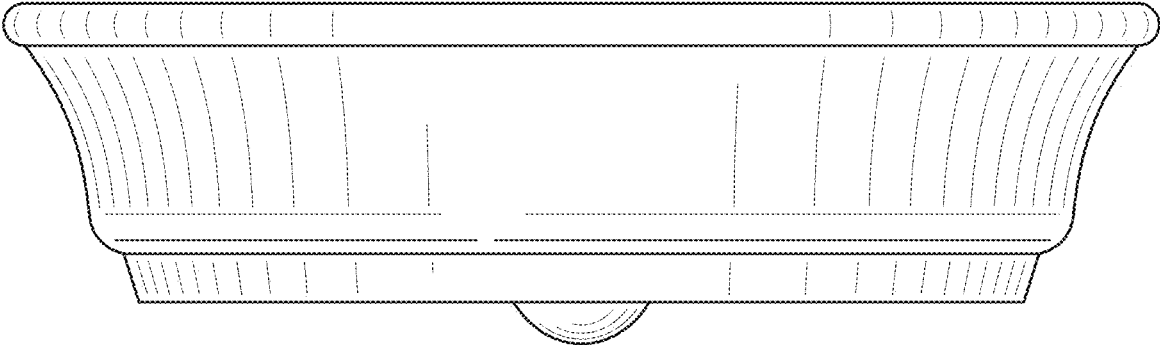


FIG. 2

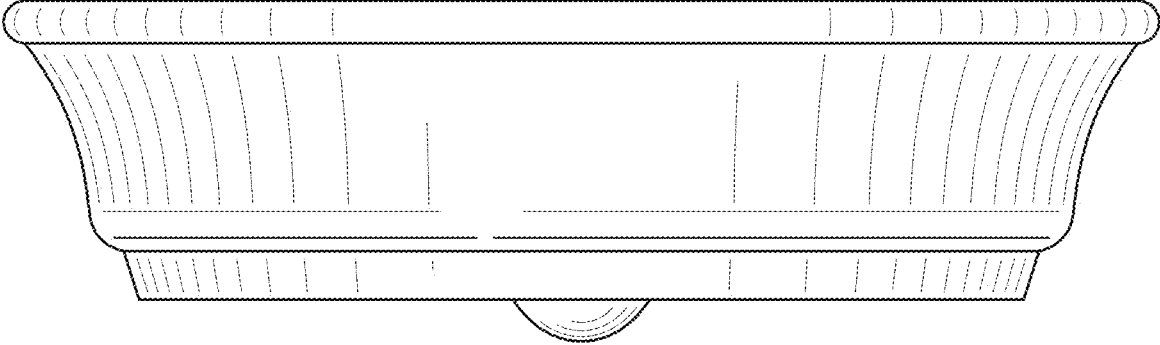


FIG. 3

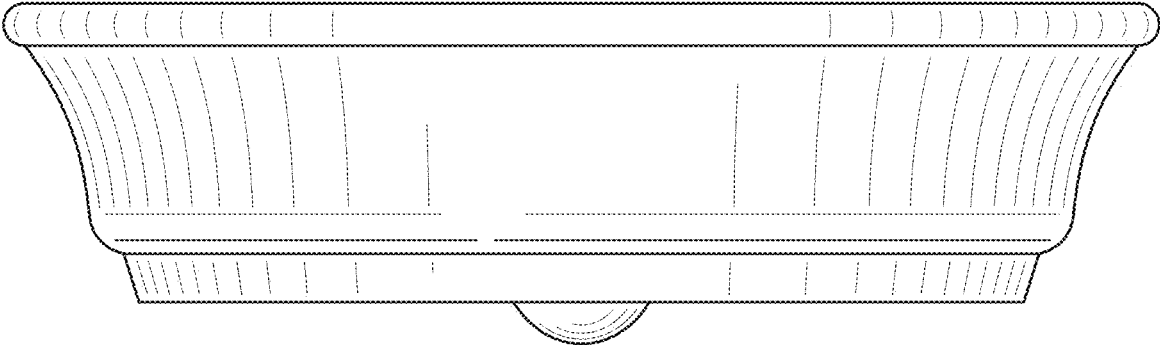


FIG. 4

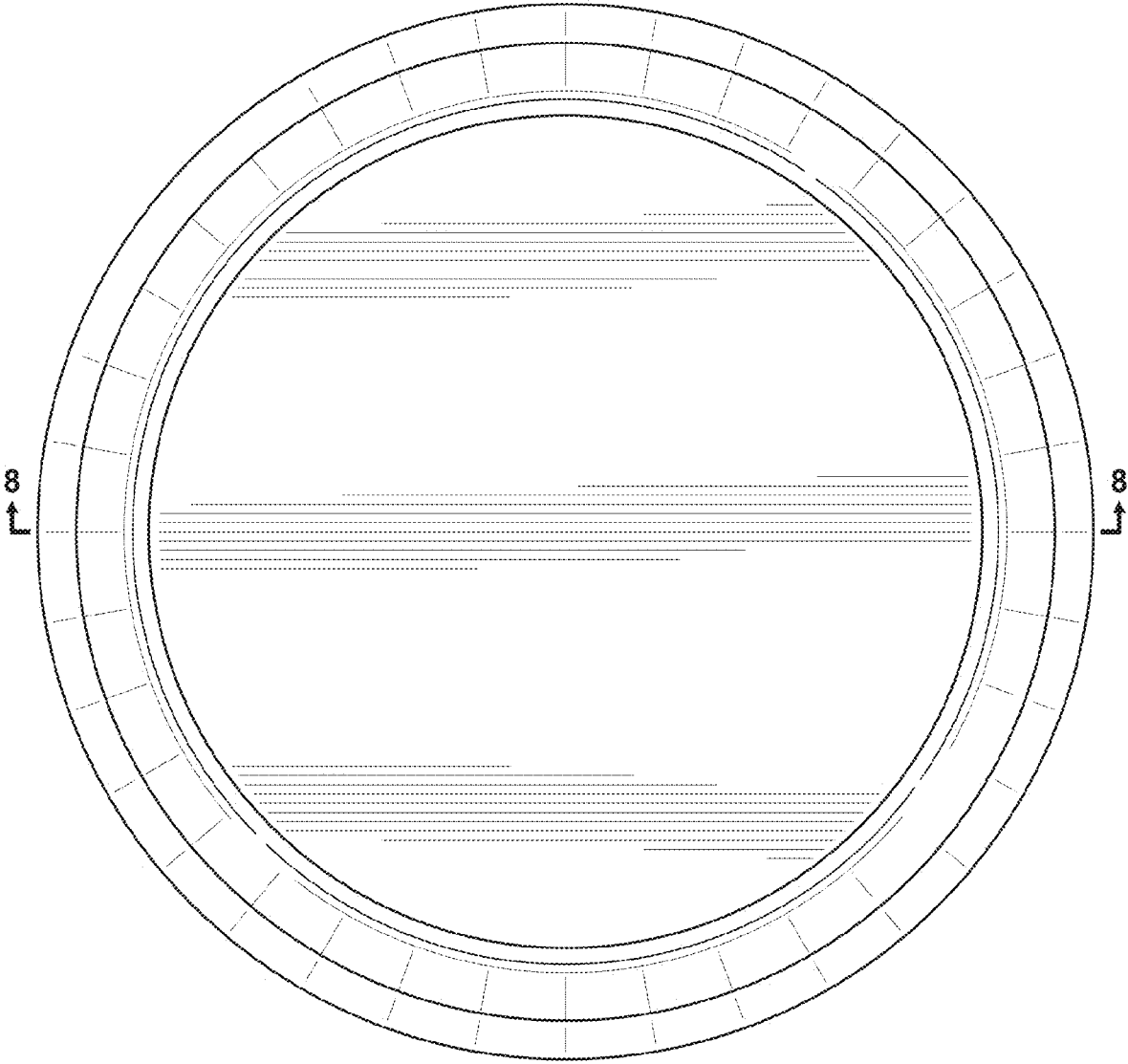


FIG. 5

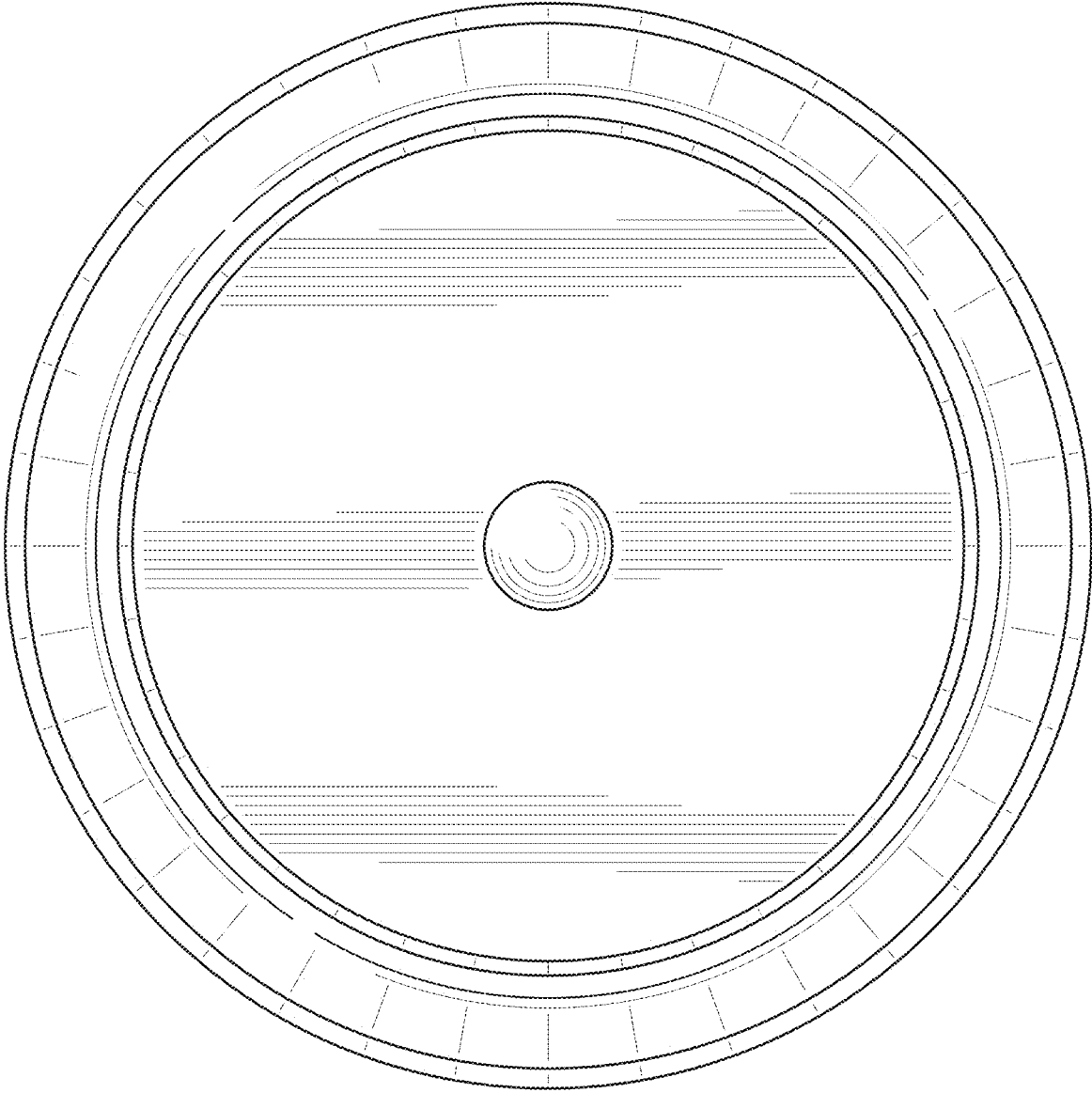


FIG. 6

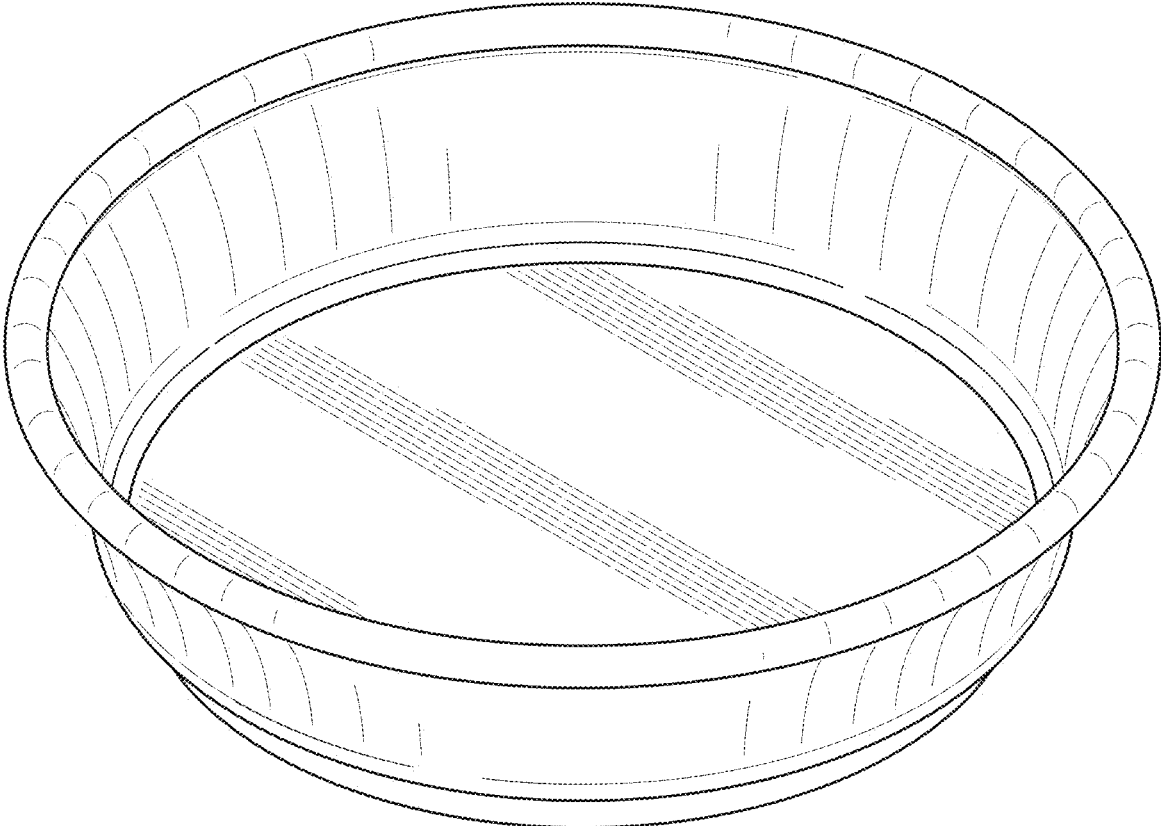


FIG. 7

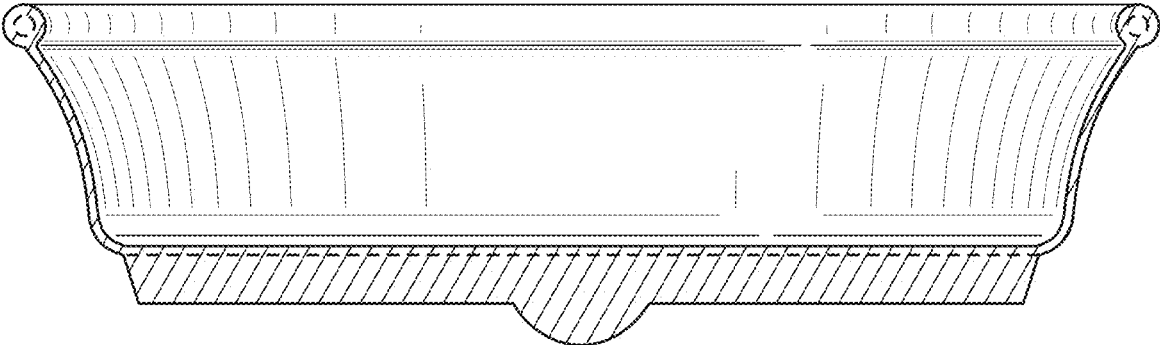


FIG. 8