



US00D801136S

(12) **United States Design Patent**
Campbell

(10) **Patent No.:** **US D801,136 S**

(45) **Date of Patent:** **** Oct. 31, 2017**

(54) **SHRUB SAVER**
(71) Applicant: **Jon Alan Campbell**, Pine Bush, NY
(US)
(72) Inventor: **Jon Alan Campbell**, Pine Bush, NY
(US)
(**) Term: **14 Years**
(21) Appl. No.: **29/474,539**

2,961,786 A * 11/1960 Lowmaster G09F 15/0062
40/606.14
3,483,995 A * 12/1969 Larson A47F 5/0815
248/220.41
3,846,935 A * 11/1974 Wagner A01G 13/02
47/23.2
3,946,521 A * 3/1976 Ours A01G 9/241
236/101 R
4,197,673 A * 4/1980 Thomas A01G 13/02
47/23.2
4,253,260 A * 3/1981 Maza G09F 15/0062
116/63 P

(Continued)

Primary Examiner — Sheryl Lane
(74) *Attorney, Agent, or Firm* — Suzanne Kikel

(22) Filed: **Oct. 21, 2014**
(51) **LOC (10) Cl.** **08-01**
(52) **U.S. Cl.**
USPC **D8/1**
(58) **Field of Classification Search**
USPC D8/1; D20/10; D10/113.4
CPC A01G 13/043; A01G 13/02; A01G 13/04;
G09F 15/0062
See application file for complete search history.

(57) **CLAIM**

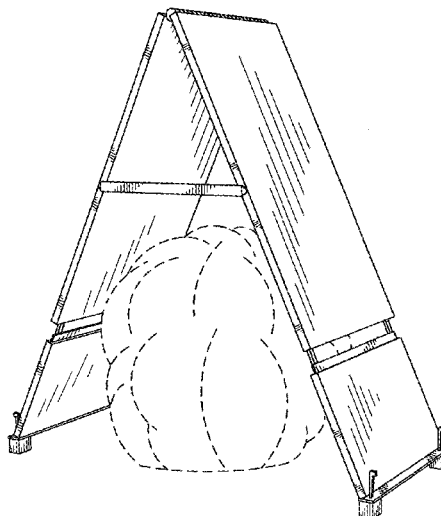
The ornamental design for a shrub saver, as shown and described.

DESCRIPTION

(56) **References Cited**
U.S. PATENT DOCUMENTS
381,766 A * 4/1888 Deuther G09F 15/0062
248/166
650,024 A * 5/1900 Riggins A01G 13/04
47/29.5
1,135,241 A * 4/1915 Woods G09F 15/0062
248/166
1,513,446 A * 10/1924 Craft G09F 15/0062
40/610
1,690,716 A * 11/1928 Brisbois A01G 13/0225
47/30
1,978,921 A * 10/1934 Wade A01G 13/043
47/31
2,232,005 A * 2/1941 Jones A01G 13/04
47/29.7
D162,243 S * 2/1951 Simmons 47/32.4
2,864,191 A * 12/1958 Hagen G09F 15/0062
248/166
2,902,239 A * 9/1959 Janecka, Jr. G09F 15/0062
248/165

FIG. 1 is a front perspective view of the shrub saver in an expanded position.
FIG. 2 is a front perspective view of the shrub saver in a collapsed position.
FIG. 3 is a front elevational view of FIG. 2.
FIG. 4 is a rear elevational view thereof.
FIG. 5 is a left side view thereof.
FIG. 6 is a right side view thereof.
FIG. 7 is a top view thereof; and,
FIG. 8 is a bottom view thereof.
The broken lines of the shrub in FIG. 1 are included for the purpose of illustrating environment and form no part of the claimed design.
The claimed shrub saver is used as a protective housing that fits over shrubs, flora, and the like which are located in an area subject to sudden dumps of snow, such as beneath the eaves of a roof.

1 Claim, 8 Drawing Sheets



(56)

References Cited

U.S. PATENT DOCUMENTS

4,285,163	A	8/1981	Booker, Jr.				
D260,780	S *	9/1981	Maza	D20/10			
4,785,576	A	11/1988	Morgan				
D331,352	S *	12/1992	Forrest	D8/1			
D371,807	S *	7/1996	Mandell	D10/113.1			
D386,653	S *	11/1997	Brown	D8/1			
D391,879	S *	3/1998	Lawton	D10/113.4			
D395,334	S *	6/1998	Eberle	D10/109.1			
D399,713	S *	10/1998	Allen	D8/1			
D405,708	S *	2/1999	Liu	D10/113.4			
6,003,257	A *	12/1999	Stokes	G09F 15/0062			
				40/455			
6,131,320	A *	10/2000	Eberle	G09F 15/0062			
				40/606.18			
D463,499	S *	9/2002	Marcos	D20/10			
6,615,523	B1 *	9/2003	Curbelo	G09F 7/00			
				116/63 P			
					7,017,299	B1	3/2006
					D544,922	S *	6/2007
					D598,798	S *	8/2009
					8,695,141	B1 *	4/2014
					D714,596	S *	10/2014
					2003/0145499	A1 *	8/2003
					2004/0060211	A1 *	4/2004
					2007/0079548	A1 *	4/2007
					2008/0216370	A1 *	9/2008
					2011/0239506	A1 *	10/2011
					2011/0247266	A1	10/2011
					2016/0120137	A1 *	5/2016

* cited by examiner

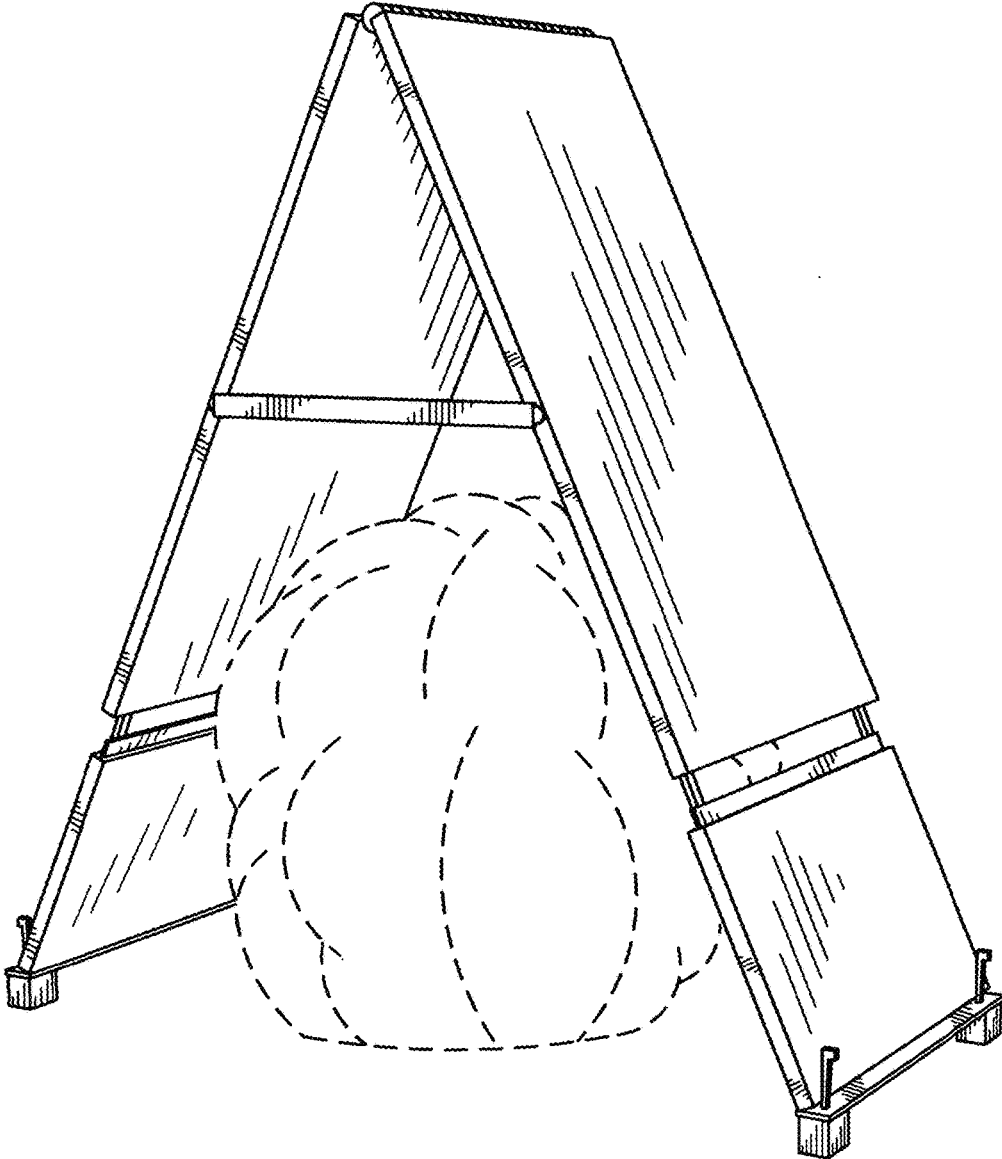


FIG. 1

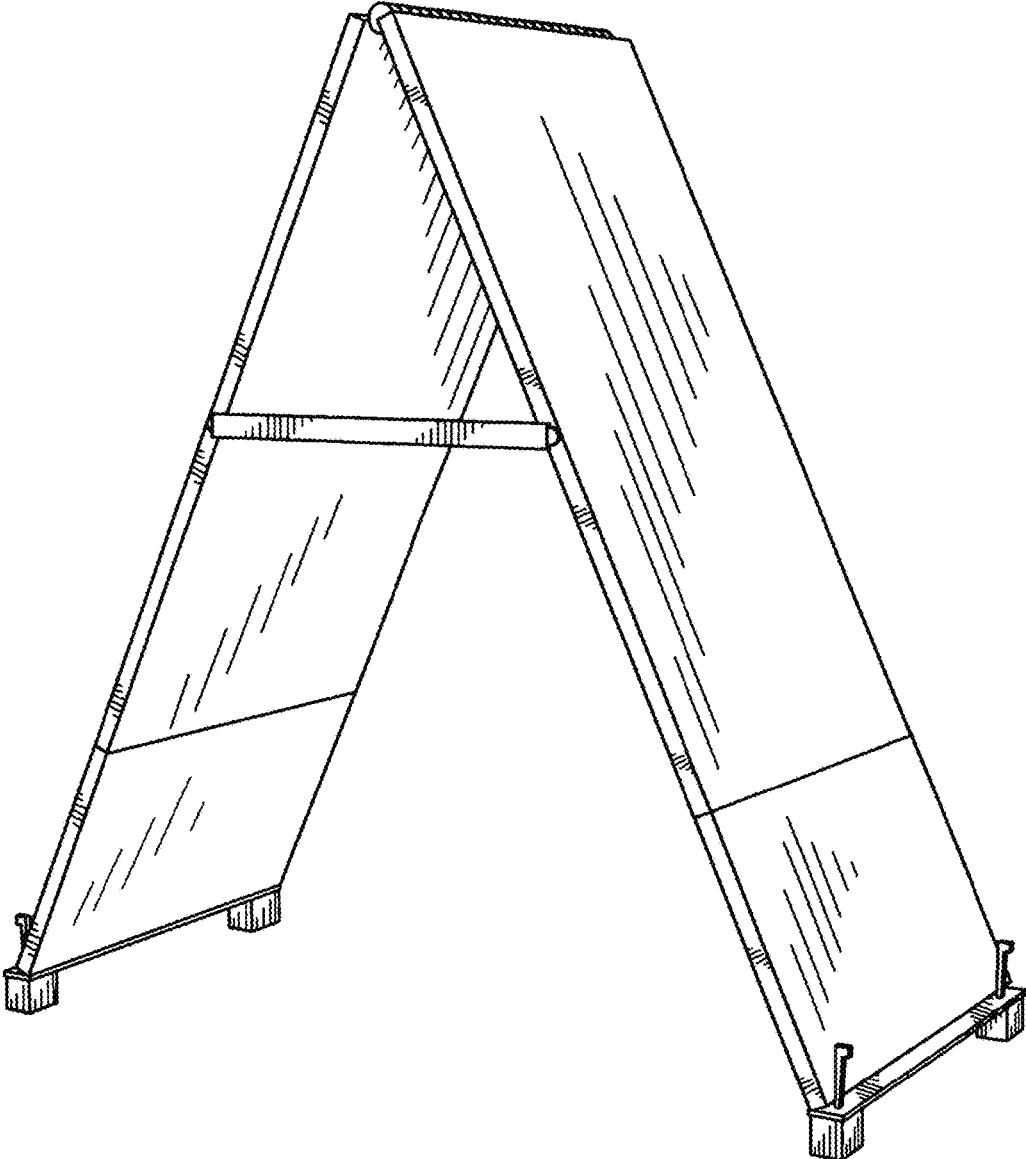


FIG. 2

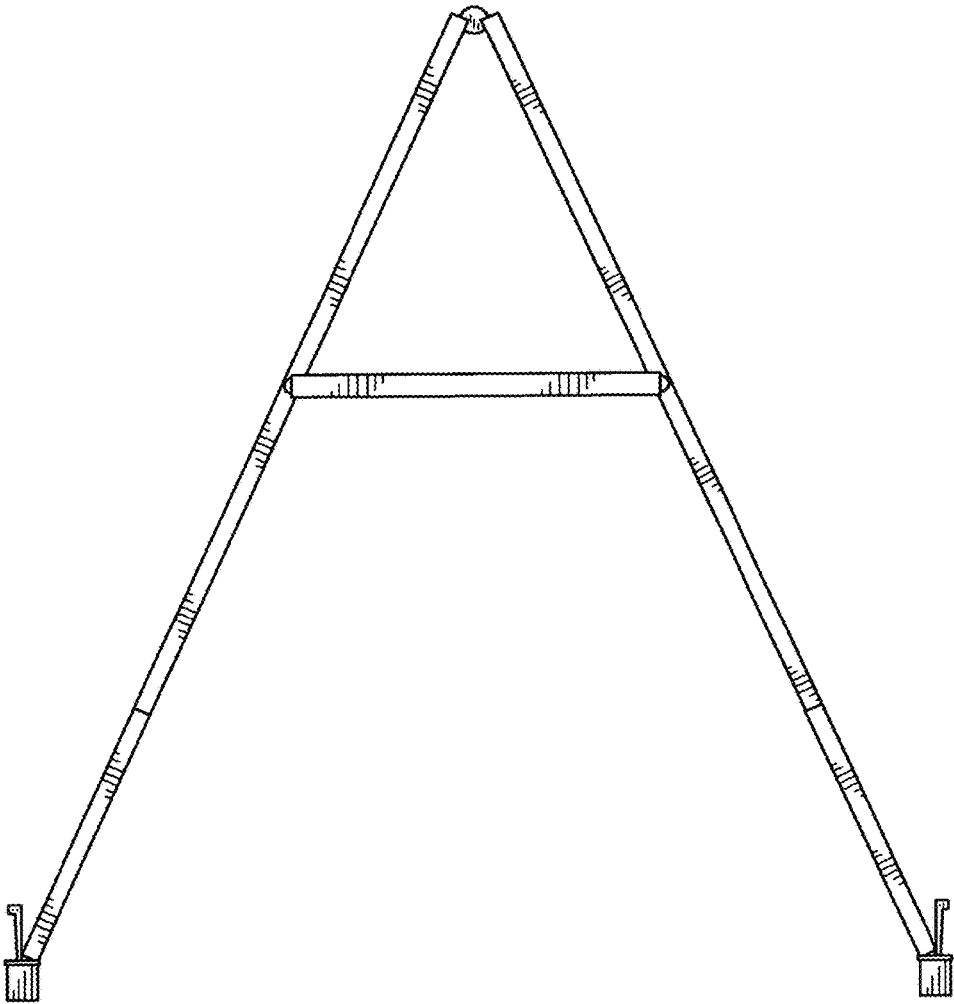


FIG. 3

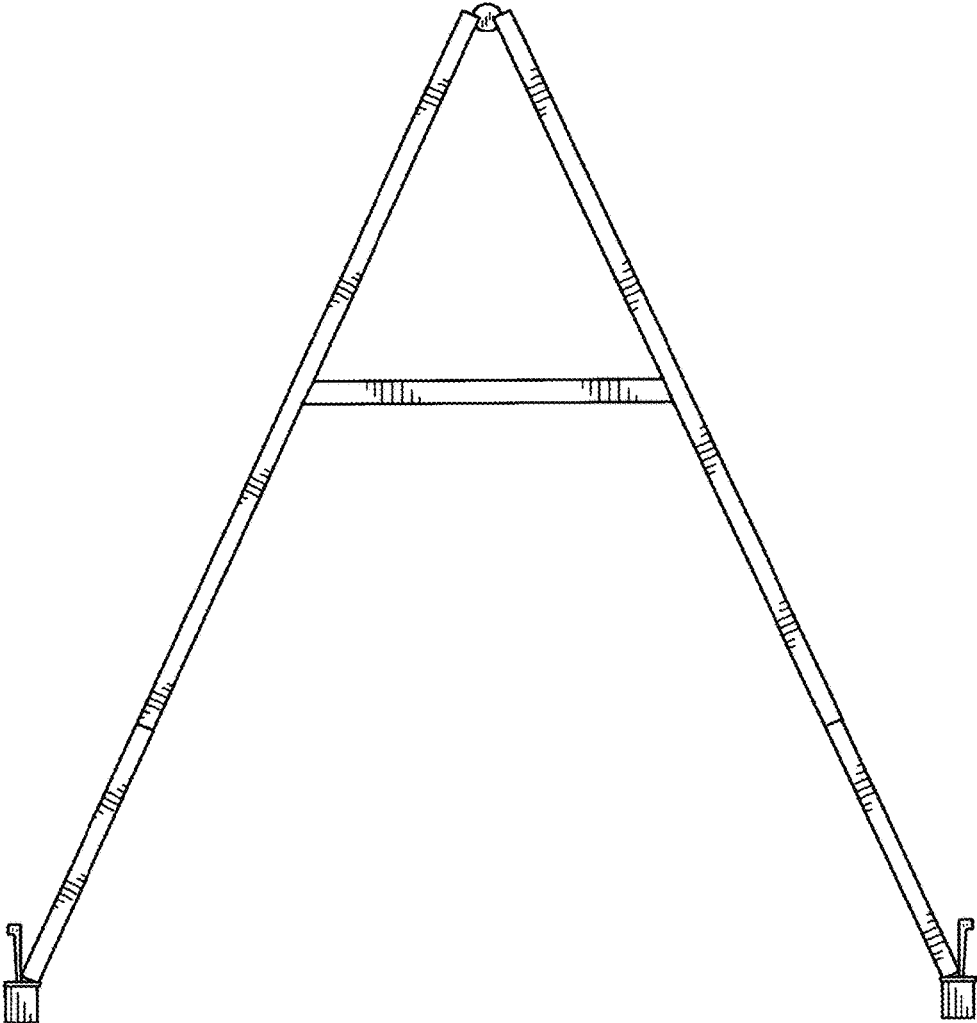


FIG. 4

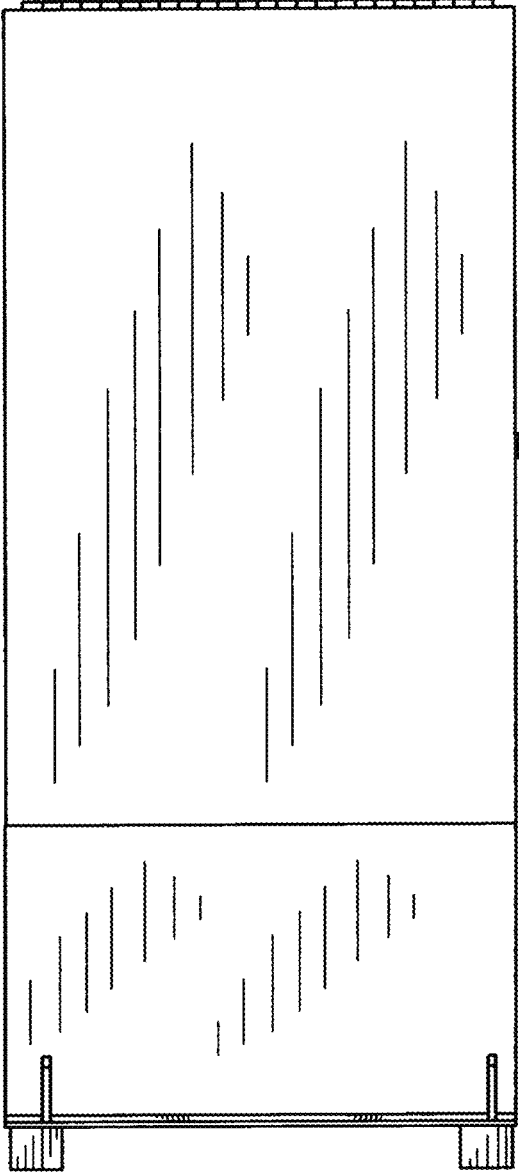


FIG. 5

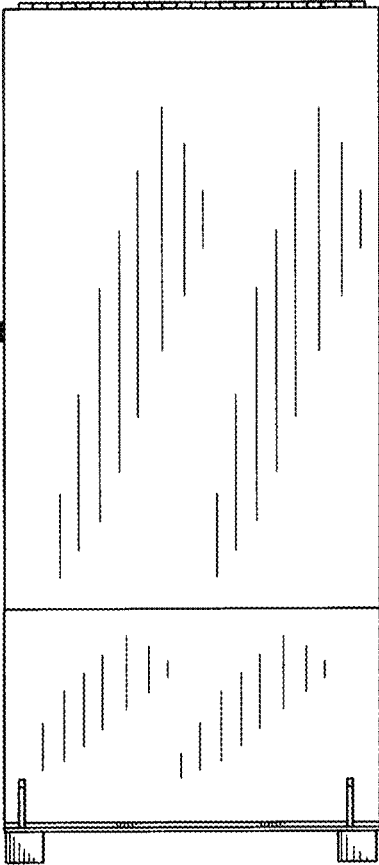


FIG. 6

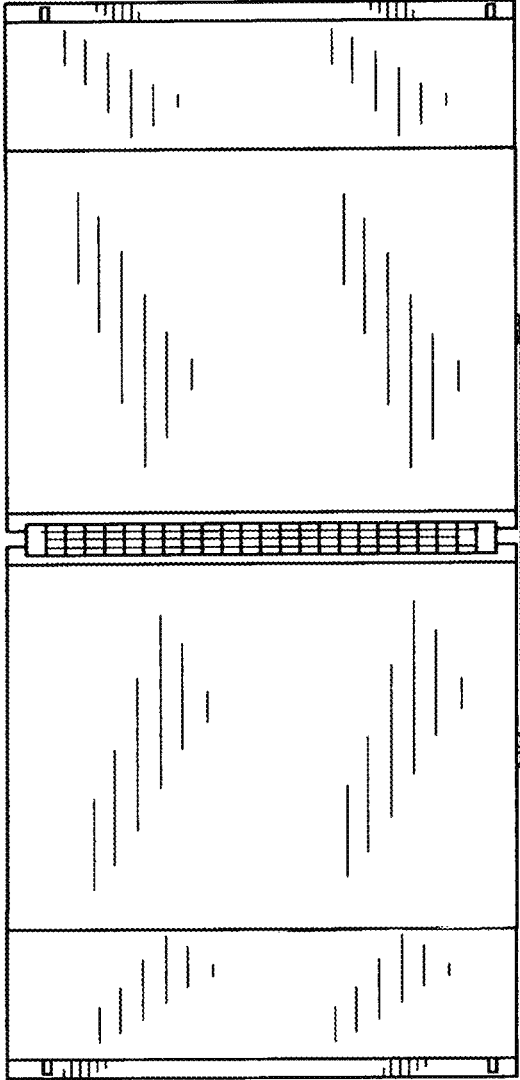


FIG. 7

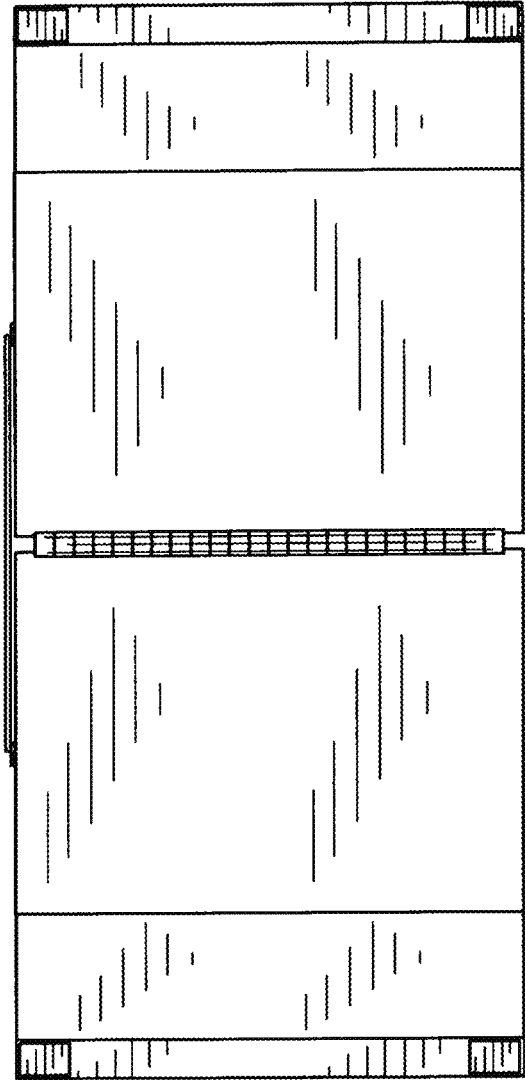


FIG. 8