



US00D406030S

**United States Patent** [19]  
**Gardiner et al.**

[11] **Patent Number:** **Des. 406,030**  
[45] **Date of Patent:** **\*\*Feb. 23, 1999**

[54] **PLIERS JAW**

5,267,366 12/1993 Frazer .

[75] Inventors: **Walter A. Gardiner**, Waccabuc; **David A. Swinden**, Ellenville; **Robert L. Naas**, Skaneateles, all of N.Y.

**FOREIGN PATENT DOCUMENTS**

0513937A2 11/1992 European Pat. Off. .

[73] Assignee: **Imperial Schrade Corp.**, Ellenville, N.Y.

**OTHER PUBLICATIONS**

Hong Kong Enterprise, p. 179, see combination tool jaws, top center, Nov. 1988.

[\*\*] Term: **14 Years**

Handsome Rewards, advertizing flyer, see jaws on tool featured, Jul. 1989.

[21] Appl. No.: **61,657**

Yorkcraft Master Took, Flyer, see tool jaws—top left center, May 1993.

[22] Filed: **Oct. 28, 1996**

*Primary Examiner*—Martie K. Holtje

*Attorney, Agent, or Firm*—Saidman DesignLaw Group

[51] **LOC (6) Cl.** ..... **08-05**

[52] **U.S. Cl.** ..... **D8/52**

[58] **Field of Search** ..... D8/14, 51, 52,  
D8/53, 54, 55, 56, 57, 58, 105; 81/427,  
428, 300, 303, 415, 417, 419, 424.5; 7/118,  
128, 129, 132, 142, 163, 164, 168

[57] **CLAIM**

The ornamental design for a pliers jaw, as shown and described.

[56] **References Cited**

**DESCRIPTION**

**U.S. PATENT DOCUMENTS**

- D. 368,634 4/1996 Frazer .
- D. 382,182 8/1997 Seber et al. .... D8/55
- D. 384,872 10/1997 Yeh ..... D8/105
- 1,467,661 9/1923 Undy .
- 1,474,592 11/1923 Jacoby .
- 1,619,181 3/1927 Beretz .
- 2,274,945 3/1942 Van Keuren .
- 2,753,741 7/1956 Riley .
- 4,238,862 12/1980 Leatherman .
- 4,744,272 5/1988 Leatherman .
- 4,888,869 12/1989 Leatherman .
- 5,062,173 11/1991 Collins et al. .
- 5,142,721 9/1992 Sessions et al. .
- 5,212,844 5/1993 Sessions et al. .

FIG. 1 is a front view of a pliers jaw showing our new design having serrations on the inner faces of the jaw;

FIG. 2 is a rear view of an alternate embodiment of our design that differs from the first embodiment in omitting the serrations on the inner faces of the jaw;

FIG. 3 is a left side view of the embodiment of FIG. 1;

FIG. 4 is a right side view of the embodiment of FIG. 1; and,

FIG. 5 is a top view of the embodiment of FIG. 2.

The dashed broken lines are shown in the figures for environmental purposes only and form no part of the claimed design. The dotted broken lines, shown in FIGS. 1, 2 and 4, define the boundries of the claimed design and form no part thereof.

**1 Claim, 3 Drawing Sheets**

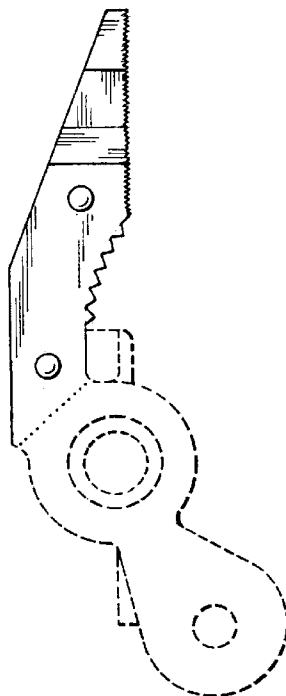


FIG. 1

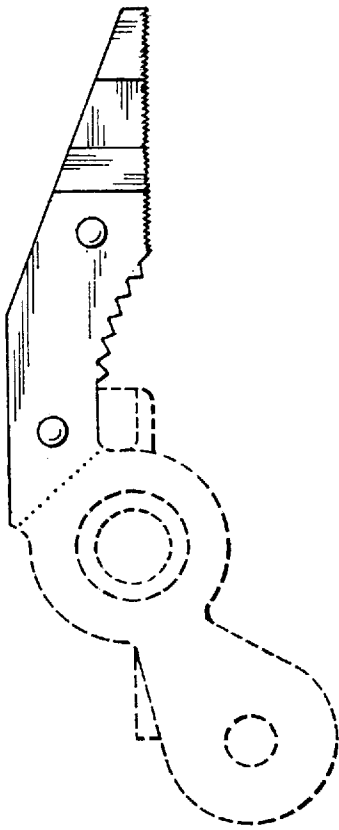


FIG. 2

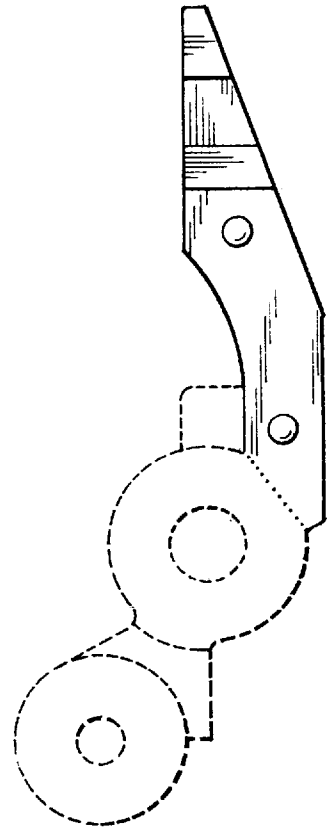


FIG. 3

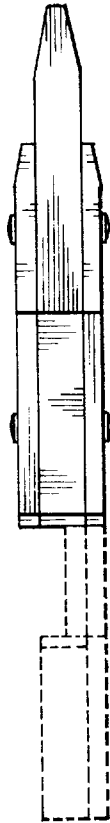


FIG. 4

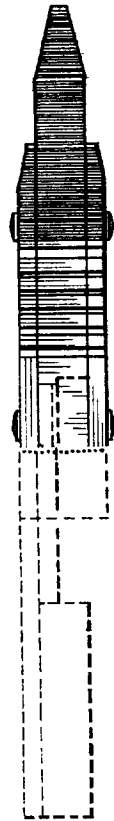


FIG. 5

