



US00D632796S

(12) **United States Design Patent**  
**Ross et al.**

(10) **Patent No.:** **US D632,796 S**

(45) **Date of Patent:** **\*\* Feb. 15, 2011**

(54) **MEDICAL CART**  
  
(75) Inventors: **Christopher Ross**, Del Mar, CA (US);  
**Richard E. Calou**, San Diego, CA (US);  
**Tony L. Le**, New Berlin, WI (US); **Colt**  
**Stander**, Alvo, NE (US); **Christian J.**  
**Stefanovitz**, West Bend, WI (US)

(73) Assignee: **Nellcor Puritan Bennett LLC**, Boulder,  
CO (US)

(\*\*) Term: **14 Years**

(21) Appl. No.: **29/329,339**

(22) Filed: **Dec. 12, 2008**

(51) **LOC (9) Cl.** ..... **24-01**

(52) **U.S. Cl.** ..... **D24/185**

(58) **Field of Classification Search** ..... D24/158,  
D24/160, 170, 183-185, 231; 280/47.35,  
280/79.3, 79.11, 187.01; D6/406.1; D13/163;  
D34/14, 17, 19, 21, 23; 108/50.01; 312/209  
See application file for complete search history.

(56) **References Cited**

U.S. PATENT DOCUMENTS

5,170,804 A	12/1992	Glassman	128/849
D347,896 S *	6/1994	Dickinson et al.	D24/185
D368,521 S *	4/1996	Asai et al.	D24/160
5,518,310 A	5/1996	Ellman et al.	312/249.12
5,662,396 A *	9/1997	Reeder et al.	312/209
D423,671 S *	4/2000	Garito et al.	D24/185
D447,567 S	9/2001	Murphy et al.	D24/172
D459,477 S	6/2002	Stocks et al.	D24/164
D477,083 S *	7/2003	Bromley	D24/170
6,626,445 B2	9/2003	Murphy et al.	280/47.34
6,669,639 B1	12/2003	Miller et al.	600/443
D486,915 S *	2/2004	Warschewske et al.	D24/185
D492,856 S	7/2004	Rossini et al.	D6/426
D492,997 S *	7/2004	DiStasio	D24/158
D493,042 S	7/2004	Rossini et al.	D6/426
D493,977 S	8/2004	Rossini et al.	D6/426
D500,575 S	1/2005	Lucas	D34/12
6,980,419 B2	12/2005	Smith et al.	361/679.41

D518,267 S	3/2006	Arceta	D34/14
D534,746 S	1/2007	Rossini et al.	D6/495
D535,509 S	1/2007	Rossini et al.	D6/511
D539,794 S	4/2007	Rossini et al.	D14/302
D540,949 S *	4/2007	Sundstrom	D24/183
D544,962 S	6/2007	Diener et al.	D24/186
D548,918 S	8/2007	Nussberger	D34/17
7,352,570 B2	4/2008	Smith et al.	361/679.41
D588,829 S *	3/2009	Rheault et al.	D6/406.1
7,540,243 B2 *	6/2009	George et al.	108/50.01
7,594,668 B2	9/2009	Arceta et al.	280/47.35
2005/0288571 A1	12/2005	Perkins et al.	600/407

(Continued)

*Primary Examiner*—Mary Ann Calabrese

(57) **CLAIM**

The ornamental design for a medical cart, as shown and described.

**DESCRIPTION**

FIG. 1 is a front elevational view of a medical cart according to the present invention.

FIG. 2 is a rear elevational view of the medical cart shown in FIG. 1;

FIG. 3 is an enlarged top plan view of the medical cart shown in FIG. 1;

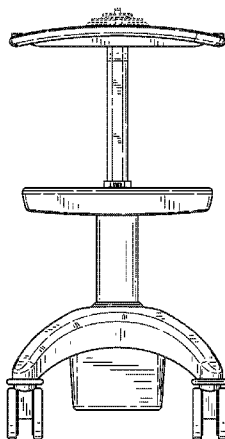
FIG. 4 is an enlarged bottom plan view of the medical cart shown in FIG. 1;

FIG. 5 is a right side elevational view of the medical cart shown in FIG. 1; and,

FIG. 6 is a left side elevational view of the medical cart shown in FIG. 1.

The features shown in broken lines form no part of the claimed design.

**1 Claim, 6 Drawing Sheets**



# US D632,796 S

Page 2

---

U.S. PATENT DOCUMENTS			
2007/0228680	A1 *	10/2007	Reppert et al. .... 280/47.35
2008/0055826	A1	3/2008	Smith et al. .... 361/679.23
2009/0015116	A1 *	1/2009	Arceta et al. .... 312/209
			2009/0212518 A1 * 8/2009 Bustle et al. .... 280/47.35
			2009/0212670 A1 * 8/2009 Bustle et al. .... 312/209

\* cited by examiner

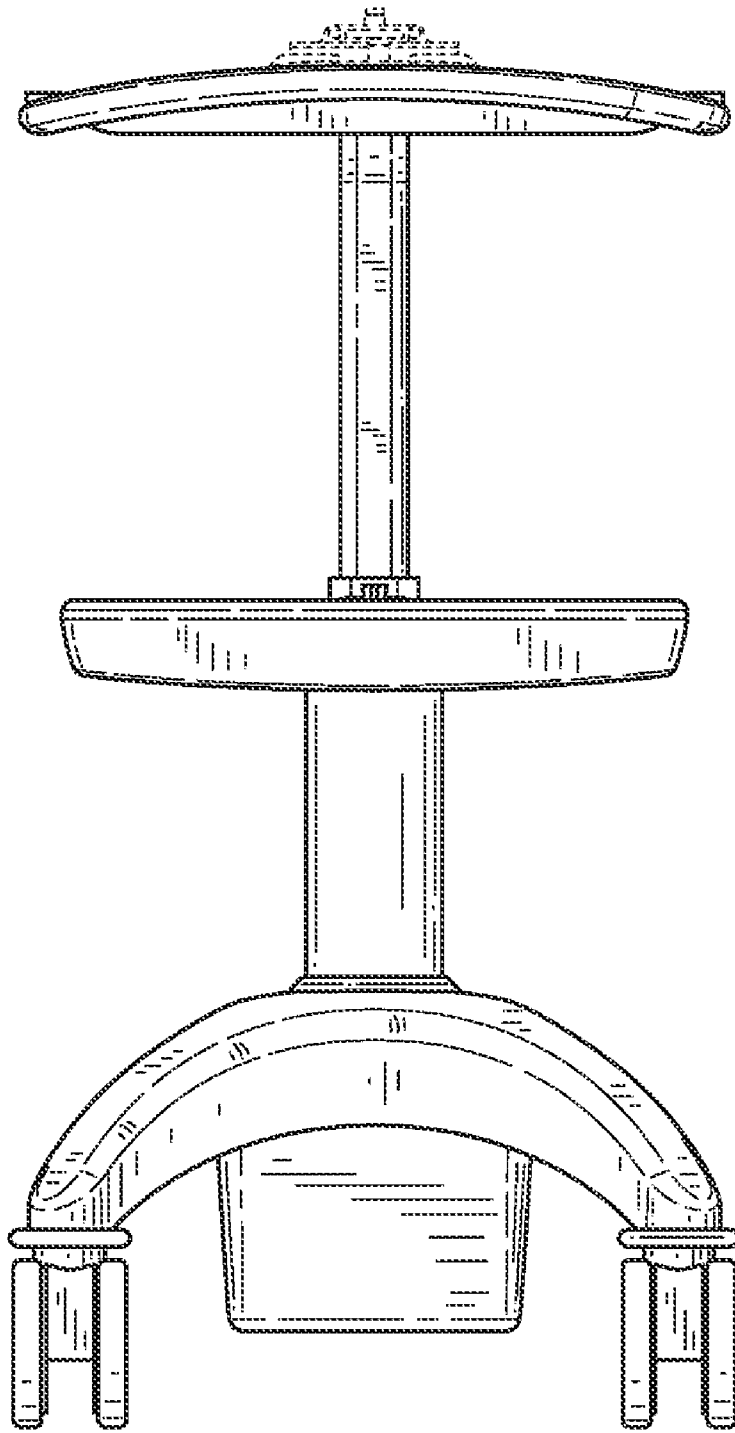


FIG. 1

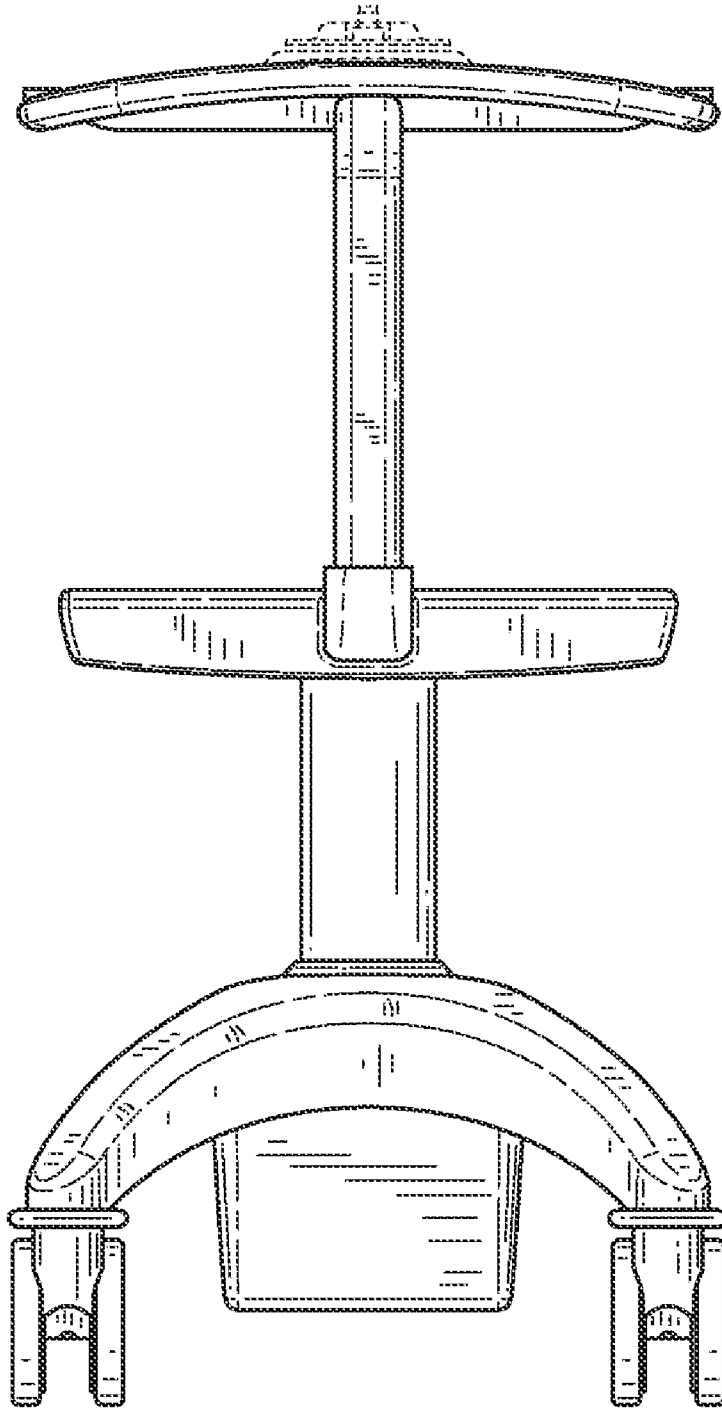


FIG. 2

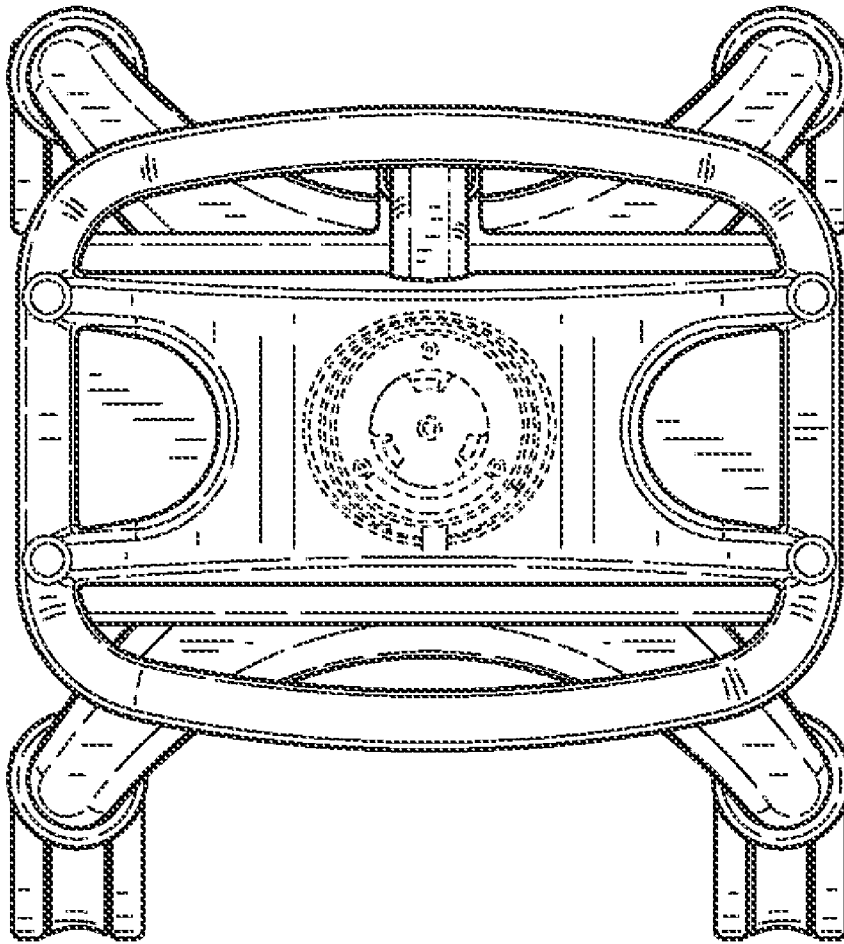


FIG.3

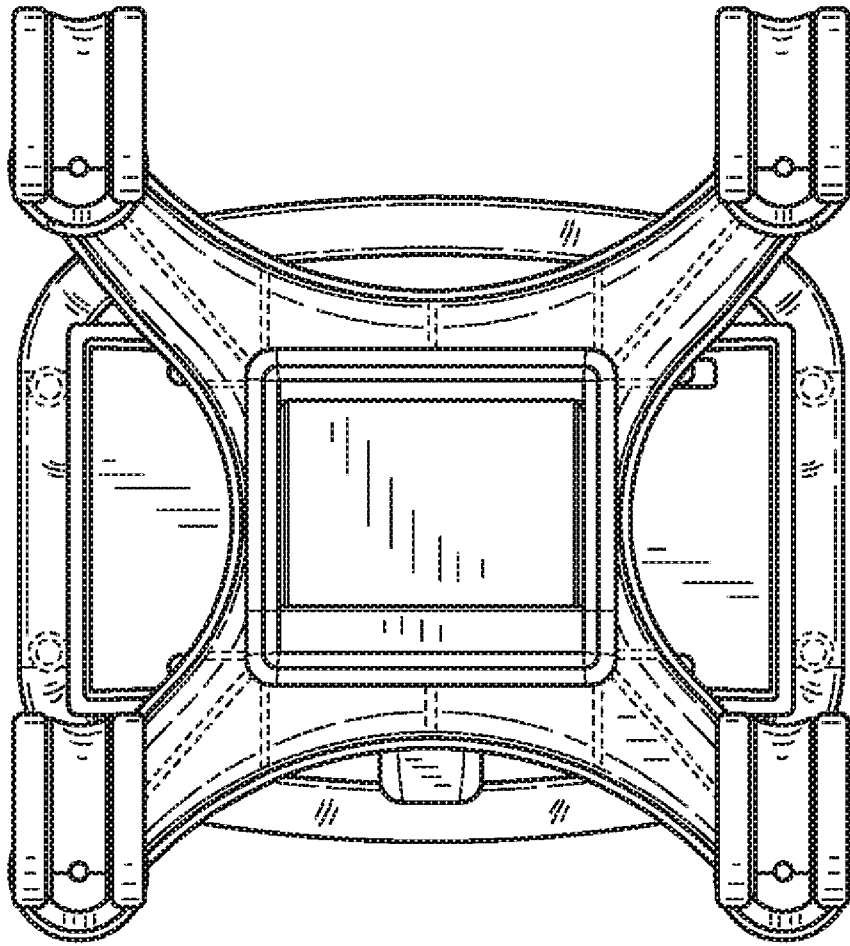


FIG.4

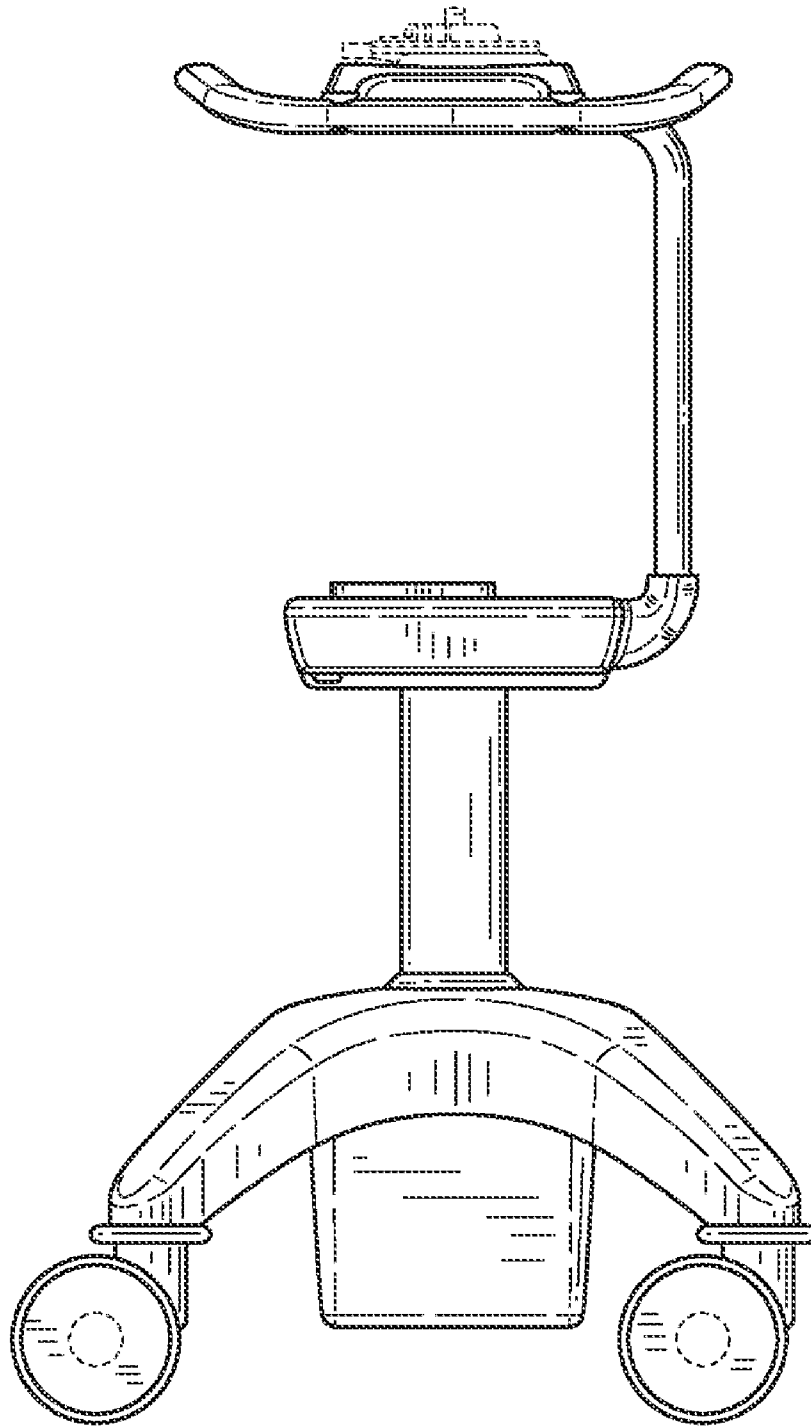


FIG.5

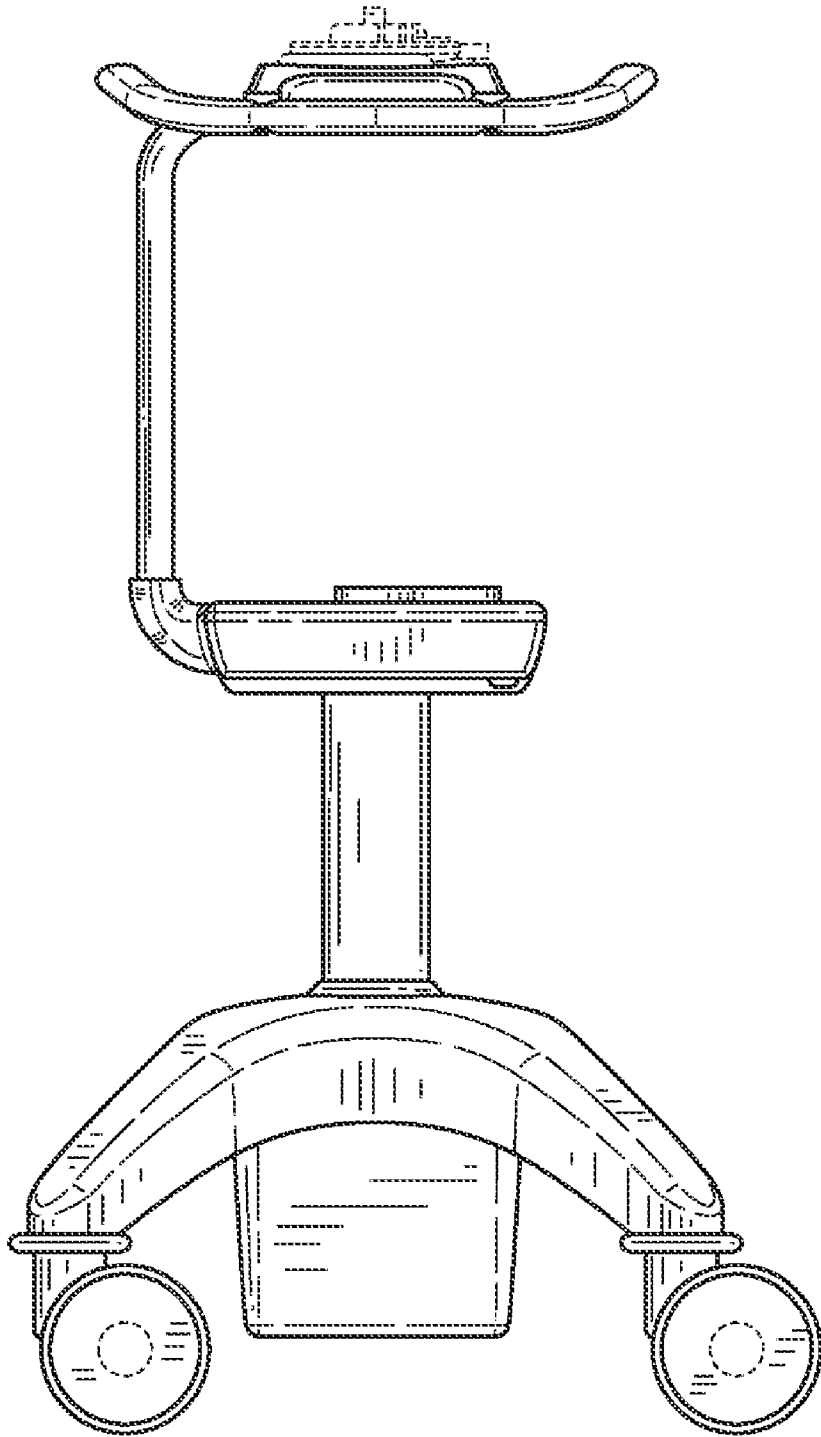


FIG.6