



US00D369695S

United States Patent [19]

[11] Patent Number: **Des. 369,695**

Imotani

[45] Date of Patent: ****May 14, 1996**

[54] **ICE-BOX WITH A FOLDING TABLE**

D. 350,035	8/1994	Stacey	D6/397
4,893,885	1/1990	Borello	D6/397 X
5,373,708	12/1994	Dumoulin, Jr.	62/371 X

[75] Inventor: **Mitsuru Imotani**, Yao, Japan

[73] Assignee: **Imotani Industry Co., Ltd.**, Osaka, Japan

Primary Examiner—Terry A. Wallace
Attorney, Agent, or Firm—Koda and Androlia

[**] Term: **14 Years**

[57] CLAIM

[21] Appl. No.: **40,922**

The ornamental design for an ice-box with a folding table, as shown and described.

[22] Filed: **Jun. 27, 1995**

DESCRIPTION

[30] Foreign Application Priority Data

Dec. 27, 1994 [JP] Japan 6-40315

[52] U.S. Cl. **D6/397**; D7/605

[58] Field of Search D6/396, 397, 429-431; D7/605-608; D15/79, 81, 83; D34/12, 19, 24, 25; 62/371, 457.1, 457.7; 206/541, 545; 280/43.1, 43.24, 651, 652, 645

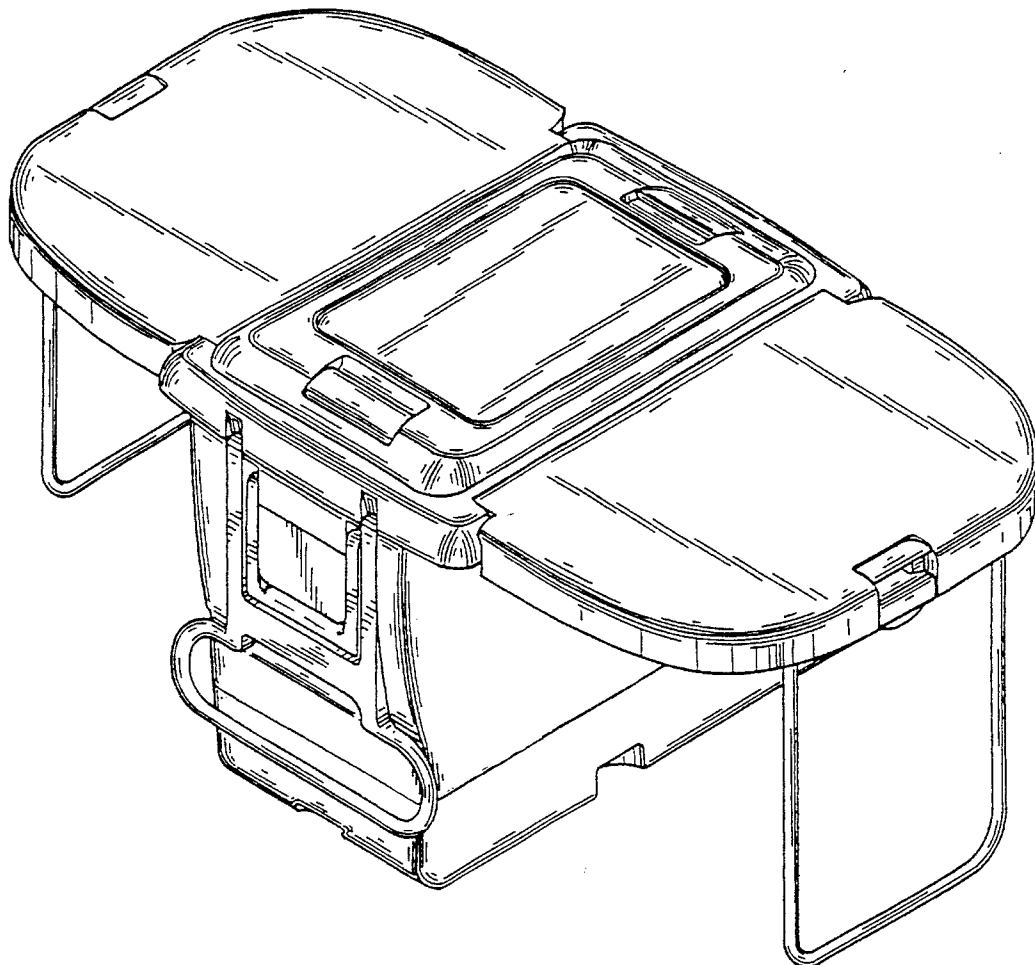
FIG. 1 is a front elevational view of the ice-box with a folding table showing my new design, the rear elevational view being a mirror image to the front elevational view; FIG. 2 is a top plan view thereof; FIG. 3 is a right side elevational view thereof; FIG. 4 is a left side elevational view thereof; FIG. 5 is a bottom plan view thereof; FIG. 6 is a right side elevational view of the ice-box with the table unfolded; FIG. 7 a top plan view thereof; FIG. 8 is a front elevational view thereof; and, FIG. 9 is a perspective view thereof taken from the top, front and left sides.

[56] References Cited

U.S. PATENT DOCUMENTS

D. 323,252	1/1992	Anske	D6/397
D. 328,689	8/1992	Riskowski	D7/605
D. 340,620	10/1993	Peters	D7/605

1 Claim, 7 Drawing Sheets



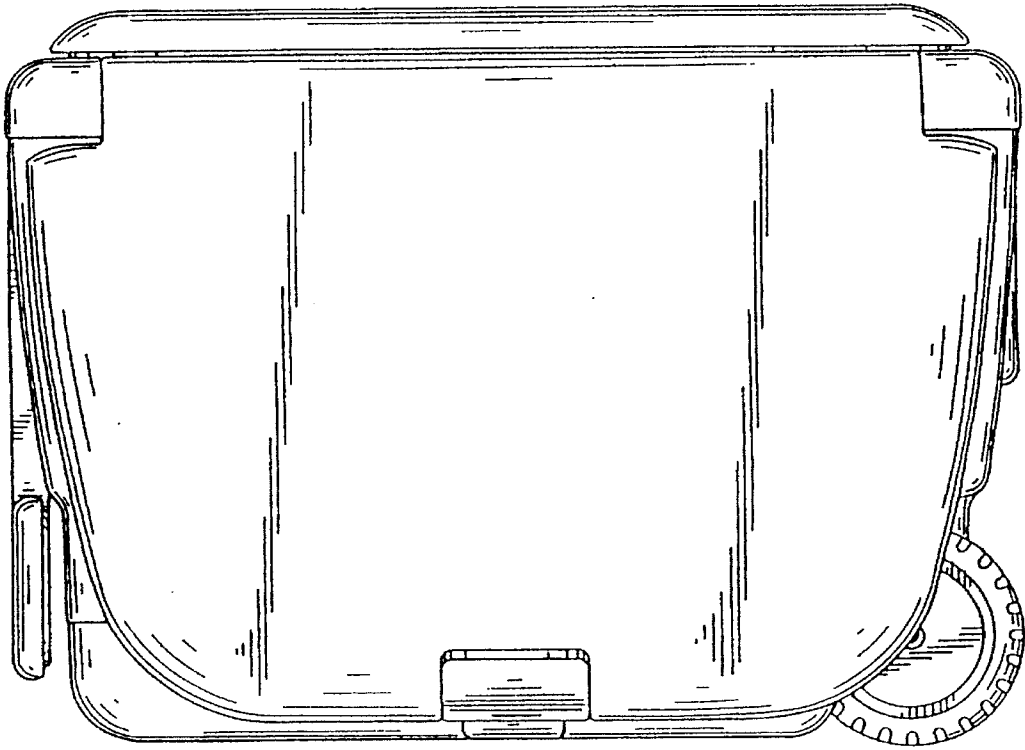


FIG. 1

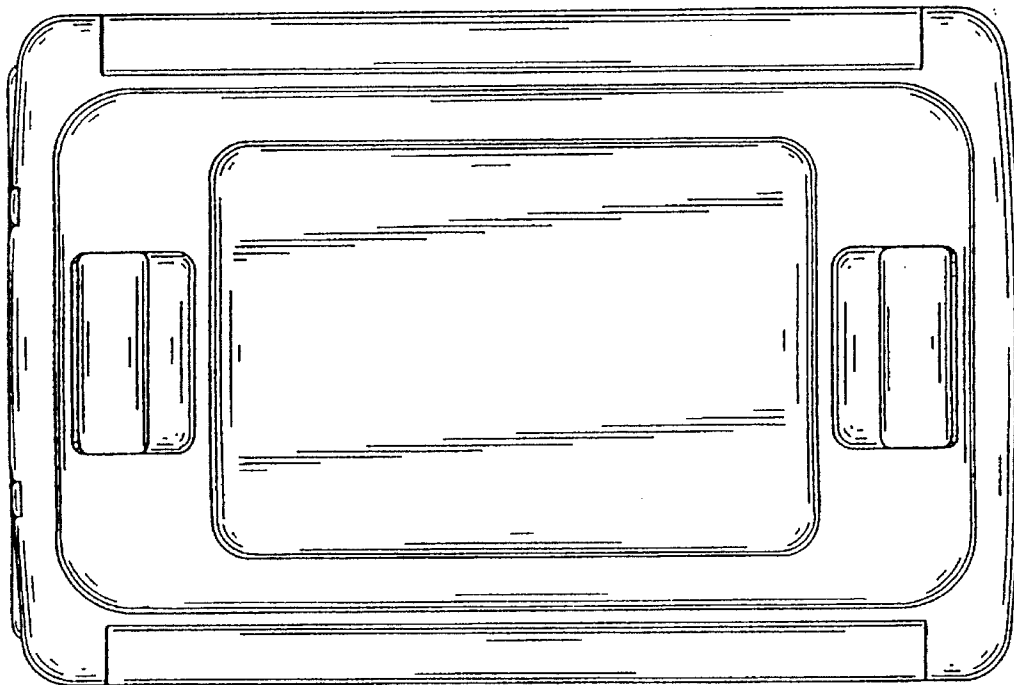


FIG. 2

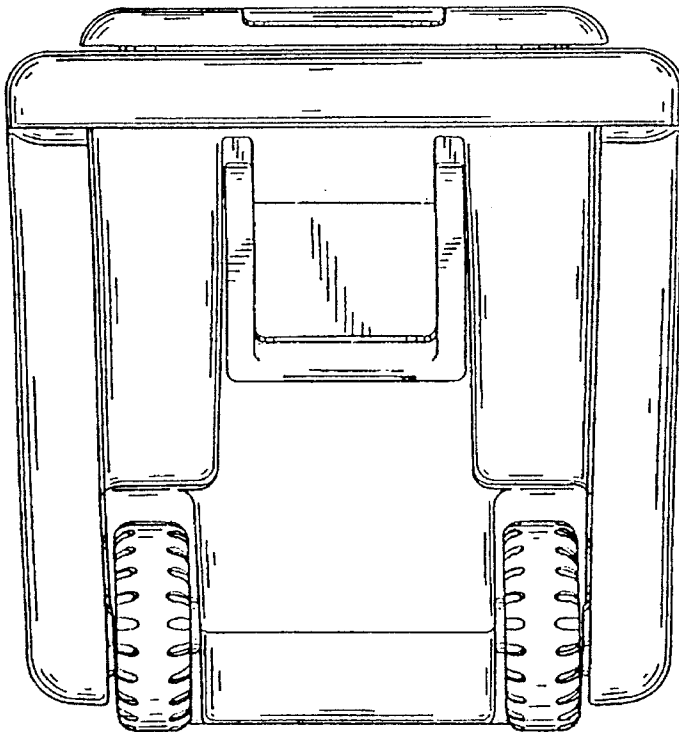


FIG.3

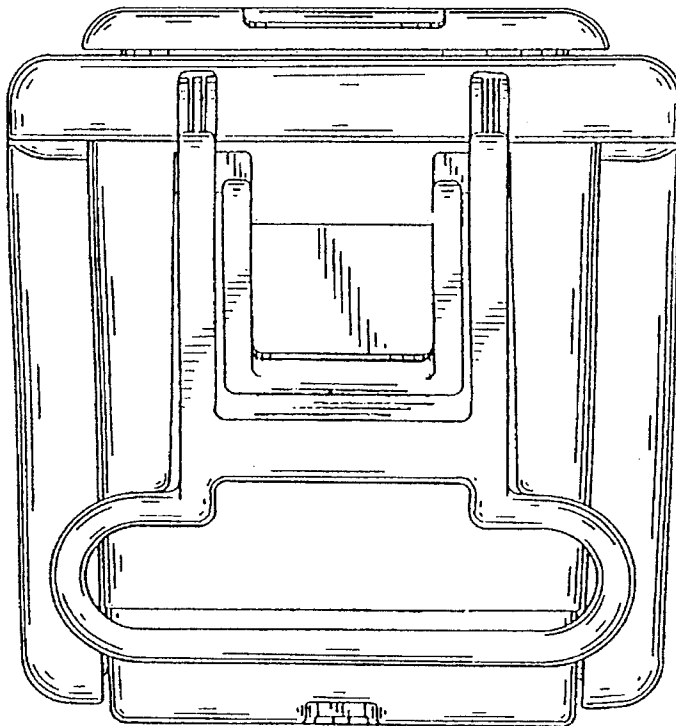


FIG.4

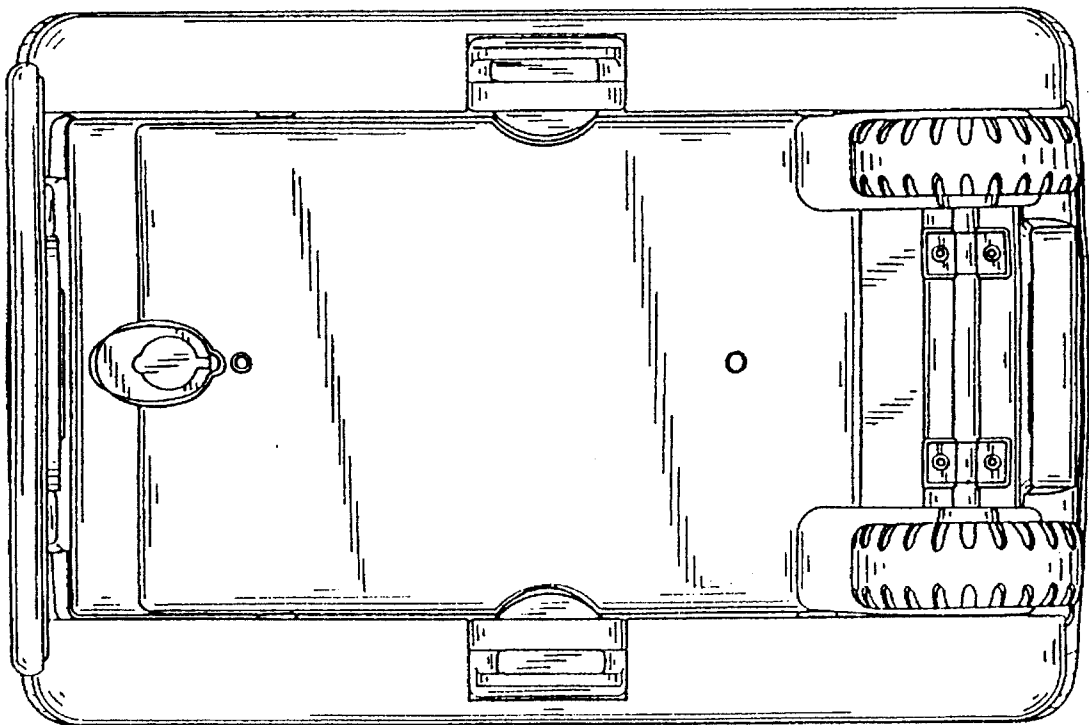


FIG.5

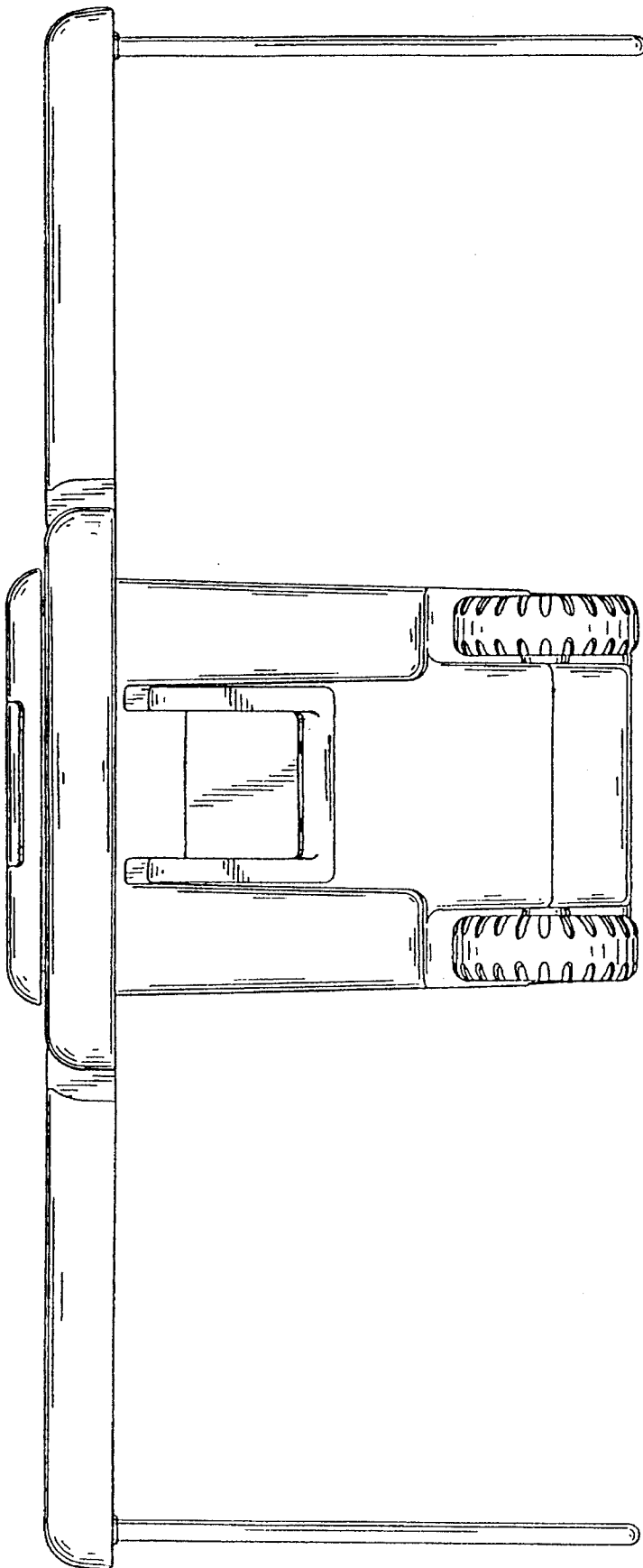


FIG.6

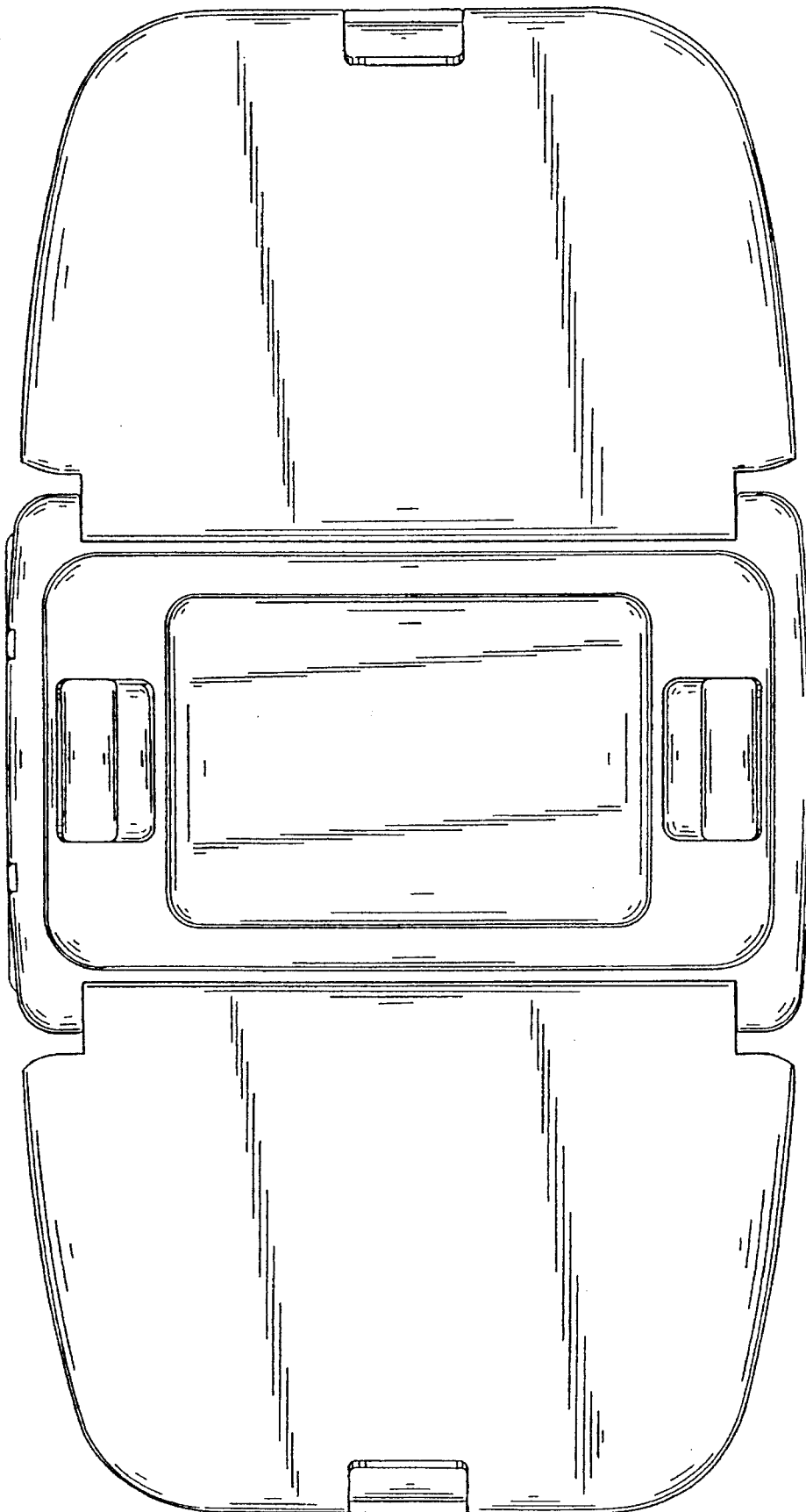


FIG.7

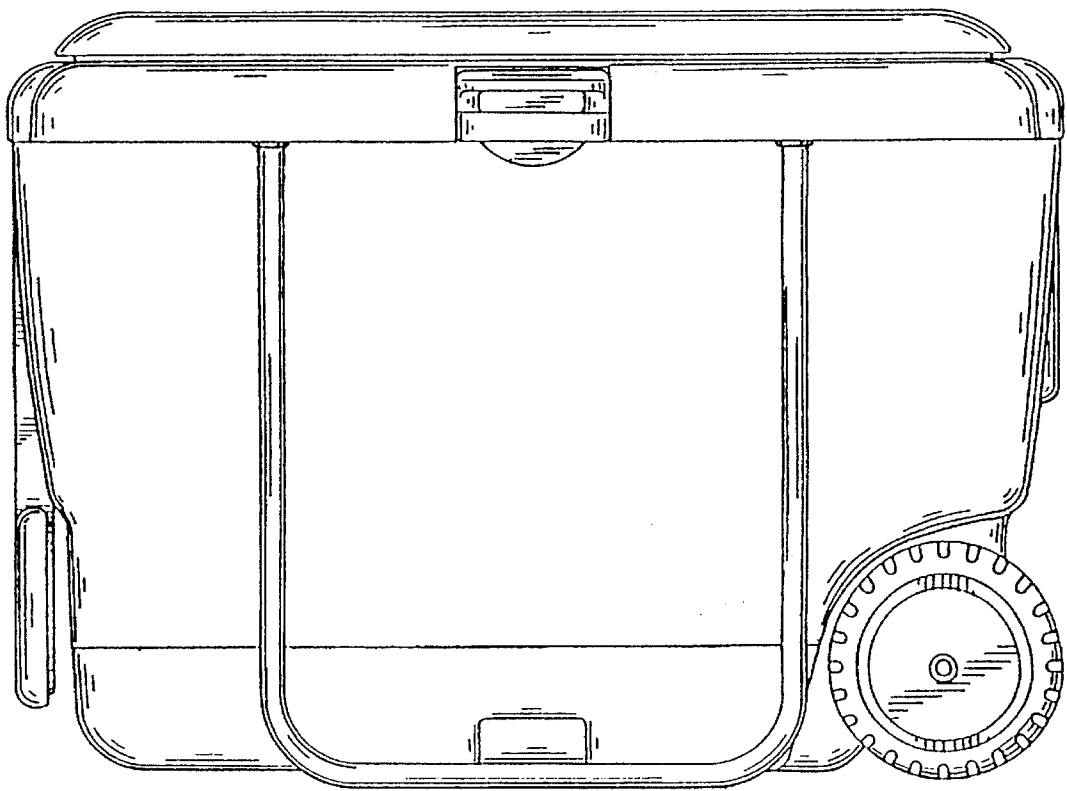


FIG.8

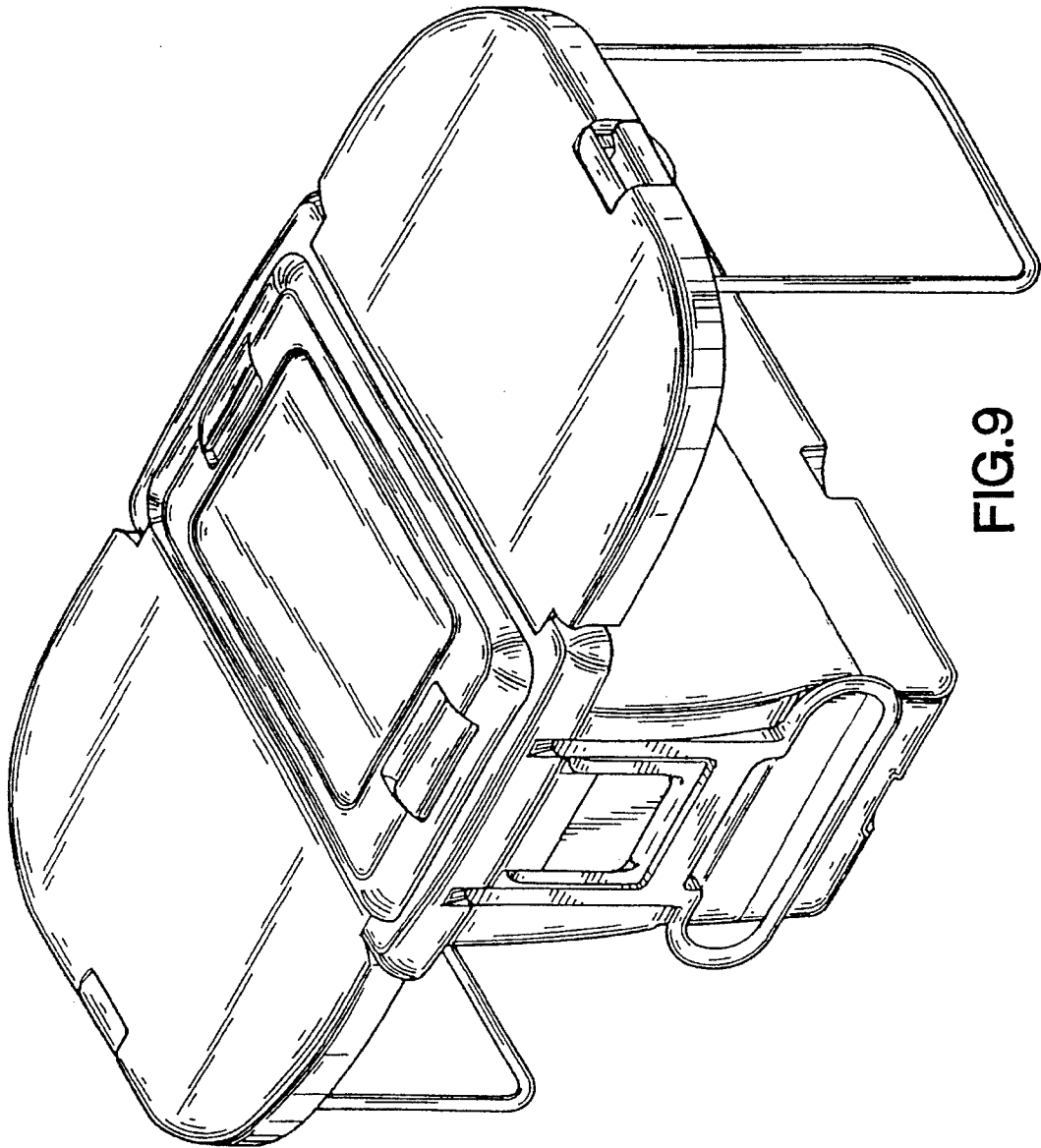


FIG.9