



(12) **United States Design Patent**
Wang et al.

(10) **Patent No.:** **US D931,962 S**
(45) **Date of Patent:** **** Sep. 28, 2021**

- (54) **GOLF CLUB HEAD**
- (71) Applicant: **Karsten Manufacturing Corporation**,
Phoenix, AZ (US)
- (72) Inventors: **Calvin S. Wang**, Chandler, AZ (US);
David A. Higdon, Cave Creek, AZ
(US); **Murphy R. Alexander**,
Scottsdale, AZ (US); **Anthony D.**
Serrano, Anthem, AZ (US)

D501,233 S * 1/2005 Thomas D21/736
 6,837,801 B1 1/2005 Souza
 D502,236 S 2/2005 Grace
 6,878,071 B1 4/2005 Schweigert
 6,893,355 B2 5/2005 Souza
 6,896,625 B2 5/2005 Grace
 6,902,496 B2 6/2005 Solheim
 D507,612 S 7/2005 Souza
 6,926,615 B1 8/2005 Souza
 6,960,140 B2 11/2005 Solheim
 (Continued)

- (73) Assignee: **KARSTEN MANUFACTURING CORPORATION**, Phoenix, AZ (US)

FOREIGN PATENT DOCUMENTS

JP 3169560 8/2011

(**) Term: **15 Years**

OTHER PUBLICATIONS

(21) Appl. No.: **29/724,099**

Stina Sternberg, "Hot List 2008—Putters," Golf Digest Feb. 2008 at 158-169 also available at <http://golfdigest.com/equipment/ratings>, CraZ-E.

(22) Filed: **Feb. 12, 2020**

(51) **LOC (13) Cl.** **21-02**

(52) **U.S. Cl.**

USPC **D21/743**

(58) **Field of Classification Search**

USPC D21/36-746, 759

CPC A63B 53/00; A63B 53/04; A63B 53/007;
A63B 53/065; A63B 53/0487; A63B
60/00; A63B 60/46

See application file for complete search history.

(Continued)
Primary Examiner — Mitchell I. Siegel

(57) **CLAIM**

The ornamental design for a golf club head, as shown and described.

DESCRIPTION

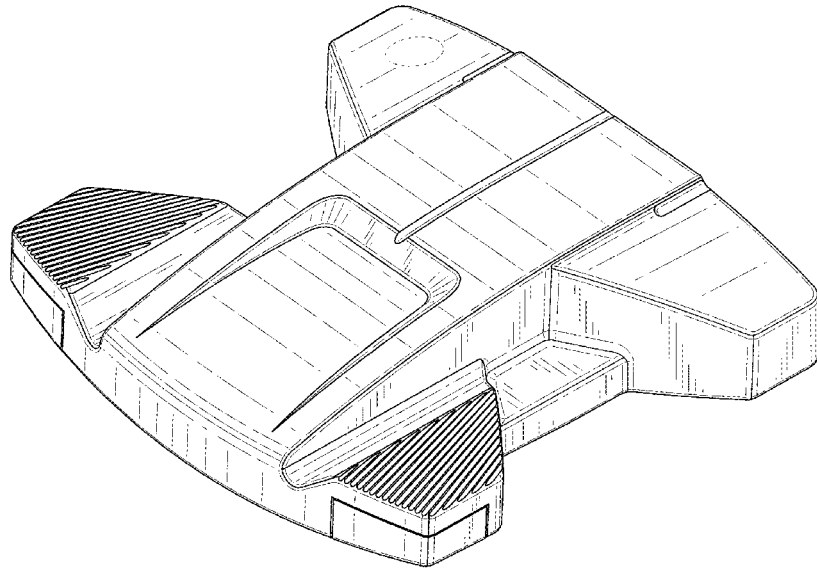
FIG. 1 is a top perspective view of a golf club head; FIG. 2 is a bottom perspective view of the golf club head of FIG. 1; FIG. 3 is a top view of the golf club head of FIG. 1; FIG. 4 is a bottom view of the golf club head of FIG. 1; FIG. 5 is a front view of the golf club head of FIG. 1; FIG. 6 is a rear view of the golf club head of FIG. 1; FIG. 7 is a heel view of the golf club head of FIG. 1; and, FIG. 8 is a toe view of the golf club head of FIG. 1. The broken lines shown form no part of the claimed design.

(56) **References Cited**

U.S. PATENT DOCUMENTS

- 3,884,477 A 5/1975 Bianco
- D235,668 S 7/1975 Swash
- 4,030,766 A 6/1977 Derr
- D316,129 S 4/1991 Bryson
- 6,159,108 A 12/2000 De La Pena
- 6,379,259 B1 4/2002 Opie
- D488,200 S 4/2004 Olsavsky et al.
- D488,526 S 4/2004 Souza
- D500,109 S 12/2004 Solheim
- D500,110 S 12/2004 Solheim

1 Claim, 6 Drawing Sheets



(56)

References Cited

U.S. PATENT DOCUMENTS

6,966,845 B2	11/2005	Solheim	
D513,776 S	1/2006	Grace	
D520,584 S	5/2006	Karlsen	
D521,582 S	5/2006	Souza	
7,048,646 B2	5/2006	Yamanaka et al.	
7,052,411 B2	5/2006	Solheim	
D522,598 S	6/2006	Solheim	
7,077,758 B2	7/2006	Rohrer	
D526,376 S	8/2006	Grace	
7,086,957 B2	8/2006	Solheim	
D527,777 S	9/2006	Sohleim	
D528,177 S	9/2006	Grace	
D528,616 S	9/2006	Grace	
D529,108 S	9/2006	Stites	
D529,109 S *	9/2006	Jones	D21/743
D533,243 S	12/2006	Fife, Jr.	
7,163,469 B2	1/2007	Bonneau	
7,235,021 B2	6/2007	Solheim	
D548,295 S	8/2007	Jertson	
7,255,650 B2	8/2007	Bryant	
D552,197 S	10/2007	Wells et al.	
D565,137 S *	3/2008	Oldknow	D21/736
7,354,356 B2	4/2008	Yamanaka et al.	
D569,462 S	5/2008	Rollinson	
7,374,497 B2	5/2008	Brown	
7,438,648 B2	10/2008	Wahl et al.	
D581,473 S	11/2008	Thomas	
D583,003 S	12/2008	Solheim	
D587,325 S	2/2009	Solheim	
D594,073 S	6/2009	Kadoya	
D595,370 S	6/2009	Ines et al.	
D599,870 S *	9/2009	Serrano	D21/736
D600,295 S	9/2009	Meeks	
D600,760 S	9/2009	Serrano	
D600,761 S	9/2009	Solheim	
D600,762 S	9/2009	Serrano	
7,601,076 B2	10/2009	Rollinson	
D606,139 S	12/2009	Ines et al.	
D607,950 S	1/2010	Souza	
D621,458 S	8/2010	Serrano	
D621,460 S	8/2010	Serrano	
D621,461 S	8/2010	Serrano	
D621,462 S	8/2010	Serrano	
D621,891 S	8/2010	Serrano	
D623,710 S	9/2010	Hilton et al.	
7,803,066 B2	9/2010	Solheim	
D625,764 S	10/2010	Hilton et al.	
7,815,520 B2	10/2010	Frame et al.	
D627,840 S *	11/2010	Cameron	D21/736
D638,891 S *	5/2011	Nicolette	D21/736
D643,080 S	8/2011	Serrano	
D643,485 S	8/2011	Nicolette	
D643,486 S	8/2011	Serrano	
D643,487 S	8/2011	Serrano	
7,993,215 B1	8/2011	Rentz	
D632,748 S	9/2011	Serrano et al.	
D645,104 S	9/2011	Nicolette et al.	
8,100,779 B2	1/2012	Solheim	
D653,718 S	2/2012	Stokke	
8,109,838 B2	2/2012	Solheim	
D657,836 S *	4/2012	Oldknow	D21/759
D657,837 S *	4/2012	Oldknow	D21/759
D658,245 S *	4/2012	Oldknow	D21/736
D664,617 S	7/2012	Serrano	
8,641,556 B2	2/2014	Kuan et al.	
D711,483 S *	8/2014	Wong	D21/743
D715,388 S	10/2014	Serrano	
9,144,717 B2	9/2015	Franklin et al.	
D783,745 S	4/2017	Chen	
9,694,259 B2	7/2017	Trahan et al.	
D800,855 S	10/2017	Rollinson	
D801,458 S	10/2017	Rollinson et al.	
9,782,645 B2	10/2017	Dolezel	
D809,616 S *	2/2018	Toulon	D21/736
D821,511 S	6/2018	Dolezel et al.	
D824,462 S	7/2018	Bruschi et al.	
10,029,160 B2	7/2018	Stites et al.	
D827,742 S *	9/2018	Weaver	D21/736
D835,217 S	12/2018	Nicolette	
D837,911 S *	1/2019	Bruschi	D21/736
D844,085 S	3/2019	Nicolette	
D844,723 S	4/2019	Nicolette	
D859,545 S	9/2019	Long et al.	
D861,091 S *	9/2019	Glorioso	D21/743
D877,831 S *	3/2020	Cameron	D21/736
10,737,153 B2 *	8/2020	Schweigert	A63B 53/0487
D895,037 S *	9/2020	Clarke	D21/736
D896,328 S *	9/2020	Clarke	D21/743
2005/0137027 A1 *	6/2005	Thomas	A63B 60/02 473/340
2006/0094533 A1	5/2006	Warren et al.	
2007/0191135 A1	8/2007	Nilsson et al.	
2007/0213141 A1 *	9/2007	Jones	A63B 53/0487 473/251
2007/0293346 A1	12/2007	Rollinson et al.	
2010/0227704 A1	9/2010	Souza et al.	
2018/0311545 A1 *	11/2018	Lambeth	B23P 15/00

OTHER PUBLICATIONS

Stina Sternberg, "Hot List 2008—Putters," Golf Digest Feb. 2008 at 158-169 also available at <http://golfdigest.com/equipment/ratings>, Profound Putter.

* cited by examiner

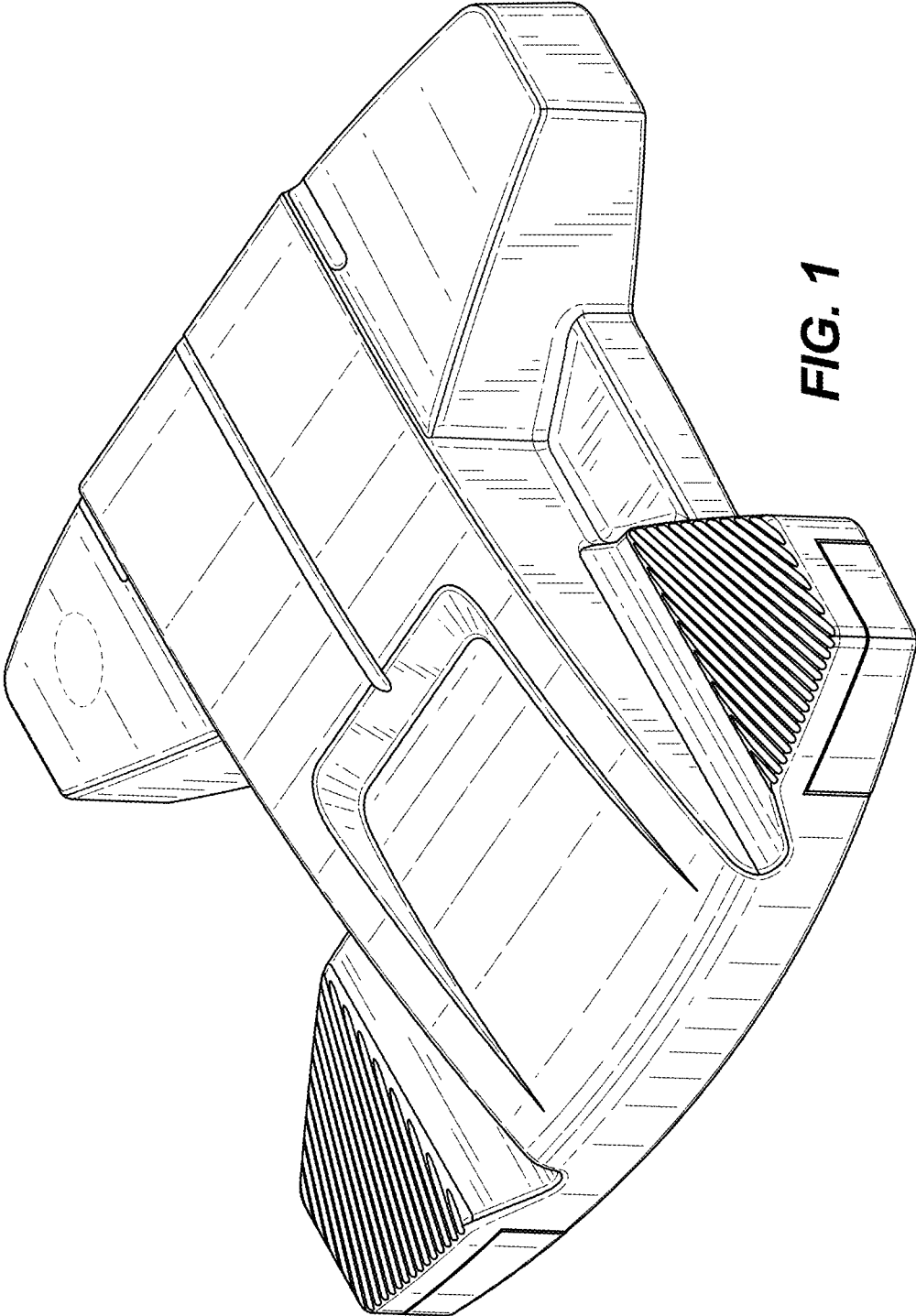


FIG. 1

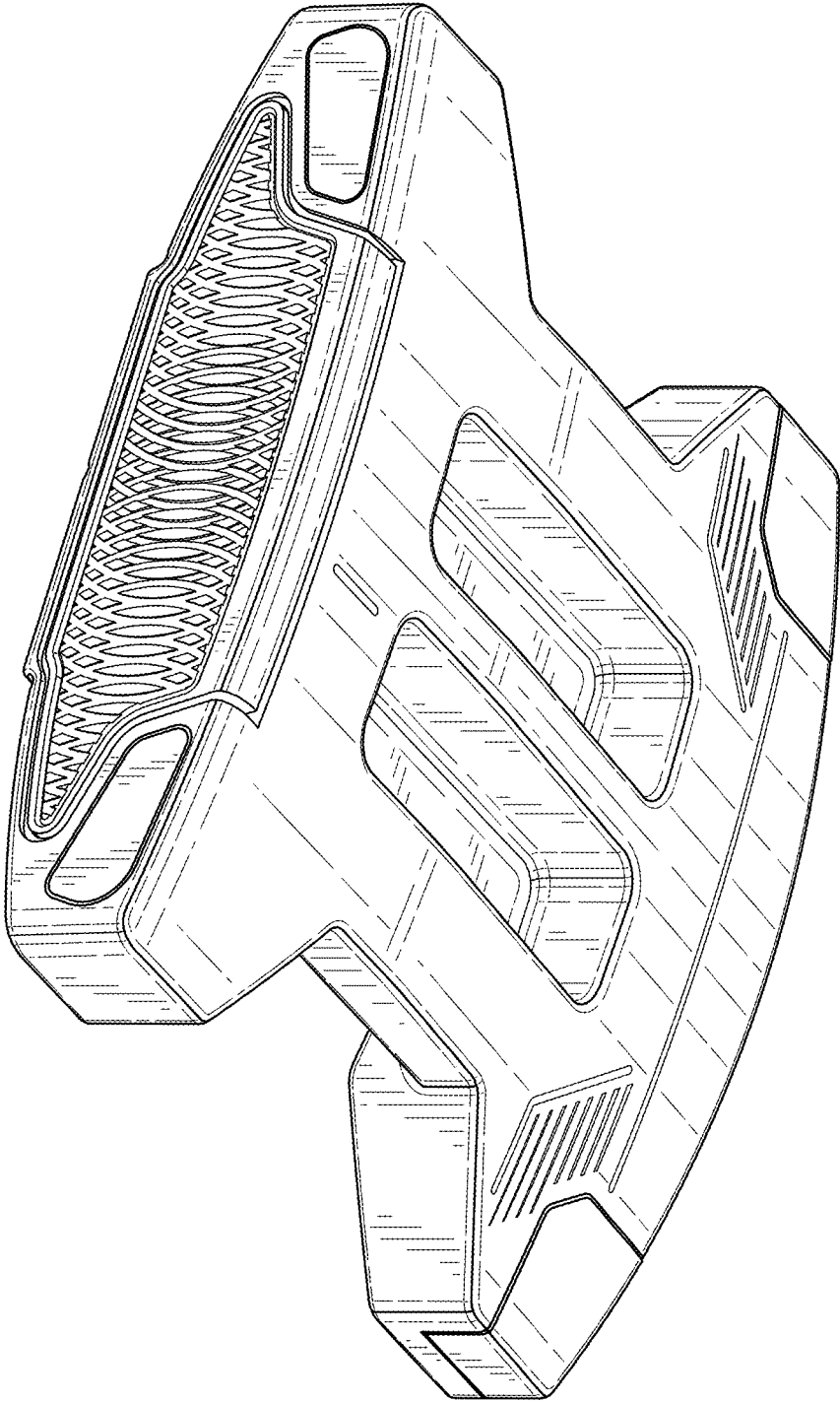


FIG. 2

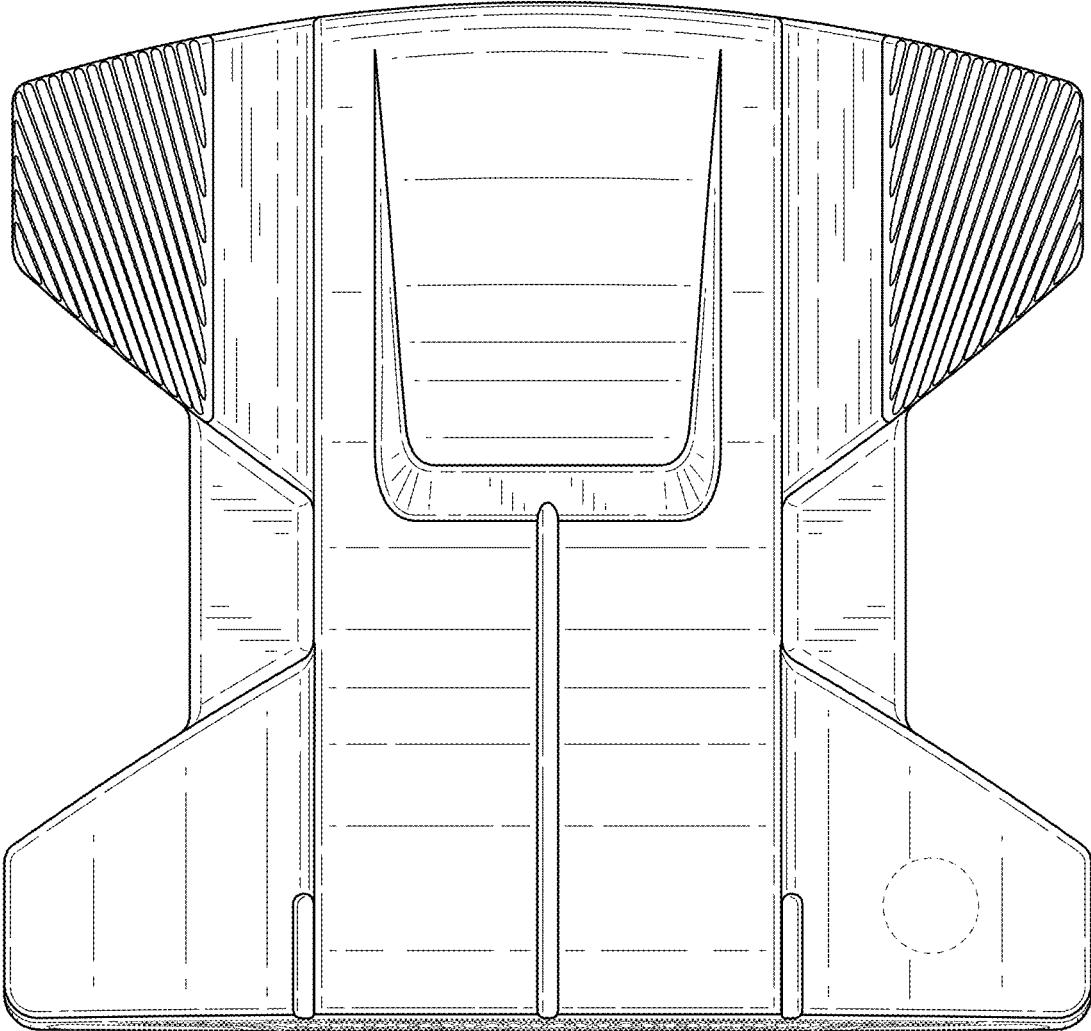


FIG. 3

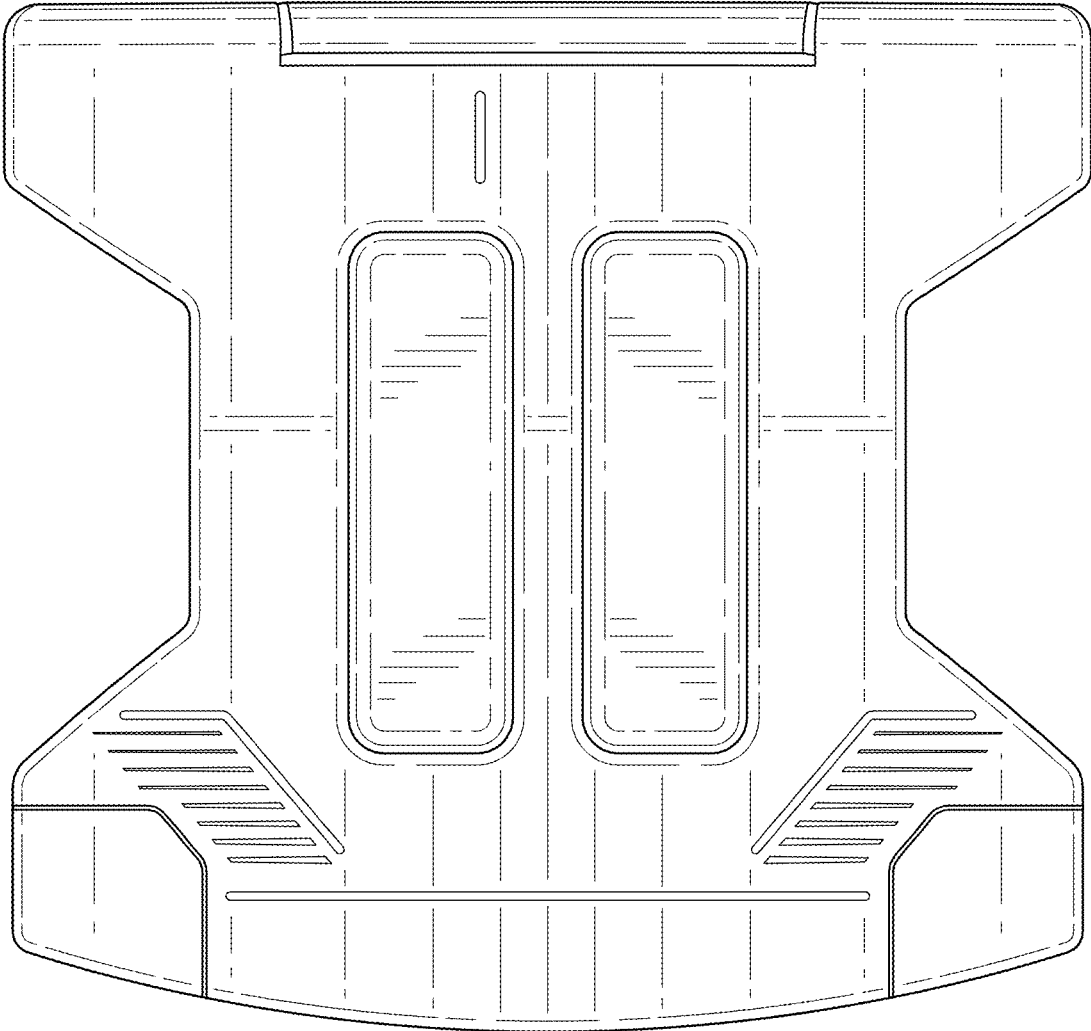


FIG. 4

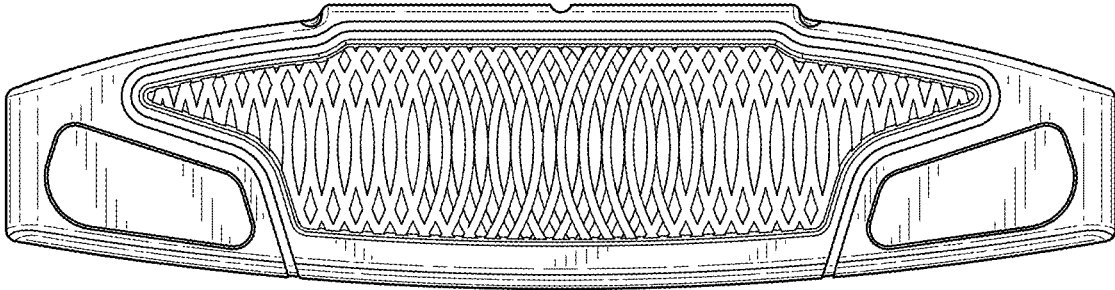


FIG. 5

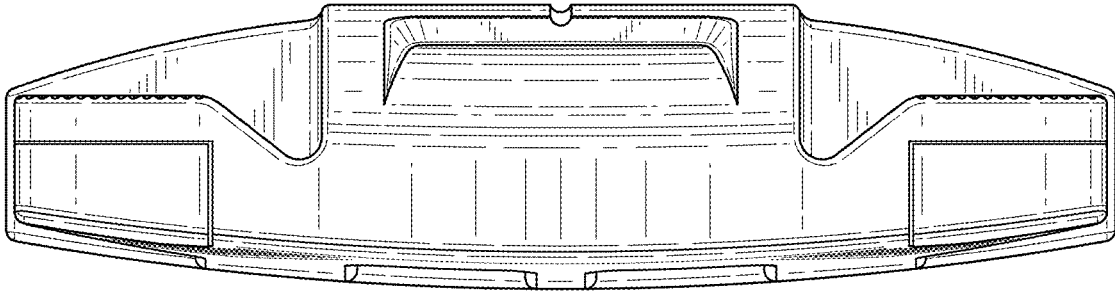


FIG. 6

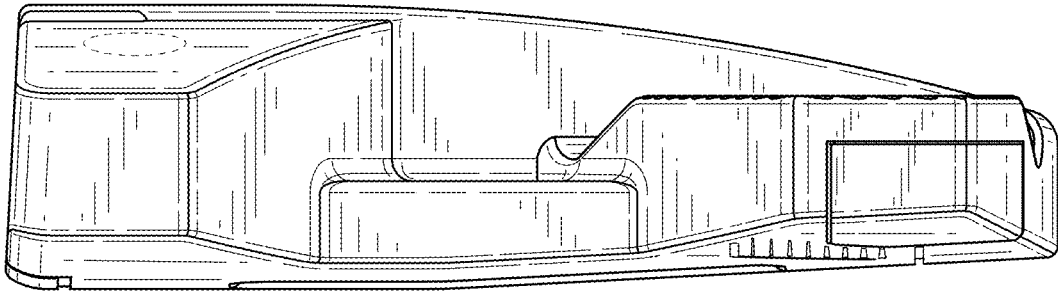


FIG. 7

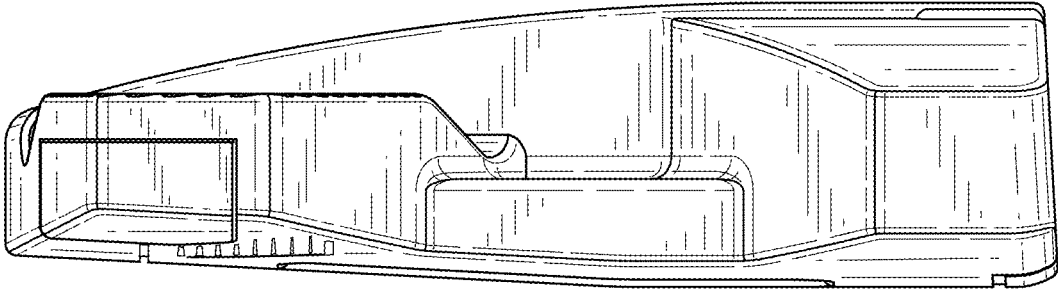


FIG. 8