



US00D690201S

(12) **United States Design Patent**
Klebeck

(10) **Patent No.:** **US D690,201 S**

(45) **Date of Patent:** **** Sep. 24, 2013**

(54) **BOTTLE CAP**

(75) Inventor: **Michael Klebeck**, Seattle, WA (US)

(73) Assignee: **Sun Liquor Mfg, Inc.**, Seattle, WA (US)

(**) Term: **14 Years**

(21) Appl. No.: **29/374,948**

(22) Filed: **Oct. 29, 2011**

(51) **LOC (9) Cl.** **09-07**

(52) **U.S. Cl.**

USPC **D9/453**; D9/439

(58) **Field of Classification Search**

USPC D9/453, 452, 451, 443, 439, 432,
D9/420; D7/628, 392.1; D24/115; D12/197;
D11/157; 229/125.04, 125.09, 117.3; 222/498,
222/481; 220/786, 269-270, 254.1, 228;
215/355-364, 247, 235; 206/423

See application file for complete search history.

(56) **References Cited**

U.S. PATENT DOCUMENTS

610,198 A * 9/1898 Phillips 215/364
2,249,022 A * 7/1941 Merolle 215/364
D192,710 S * 5/1962 Hecht D9/439
D250,467 S * 12/1978 O'Banion D12/197

D348,645 S * 7/1994 Hitchcock et al. D12/197
D353,357 S * 12/1994 Weinberg et al. D12/197
D375,264 S * 11/1996 Galarza et al. D9/453
D457,432 S * 5/2002 Peabody D9/453
D461,127 S * 8/2002 Peabody D9/453
D581,278 S * 11/2008 Shibata et al. D9/529
D591,152 S * 4/2009 Hatalla D9/447
D613,162 S * 4/2010 Druitt D9/453
D630,093 S * 1/2011 Bardet D9/438
7,886,923 B2 * 2/2011 Nakada et al. 215/364
D638,707 S * 5/2011 Stoffers et al. D9/453

* cited by examiner

Primary Examiner — Susan Bennett Hattan

(74) *Attorney, Agent, or Firm* — Christensen O'Connor Johnson Kindness PLLC

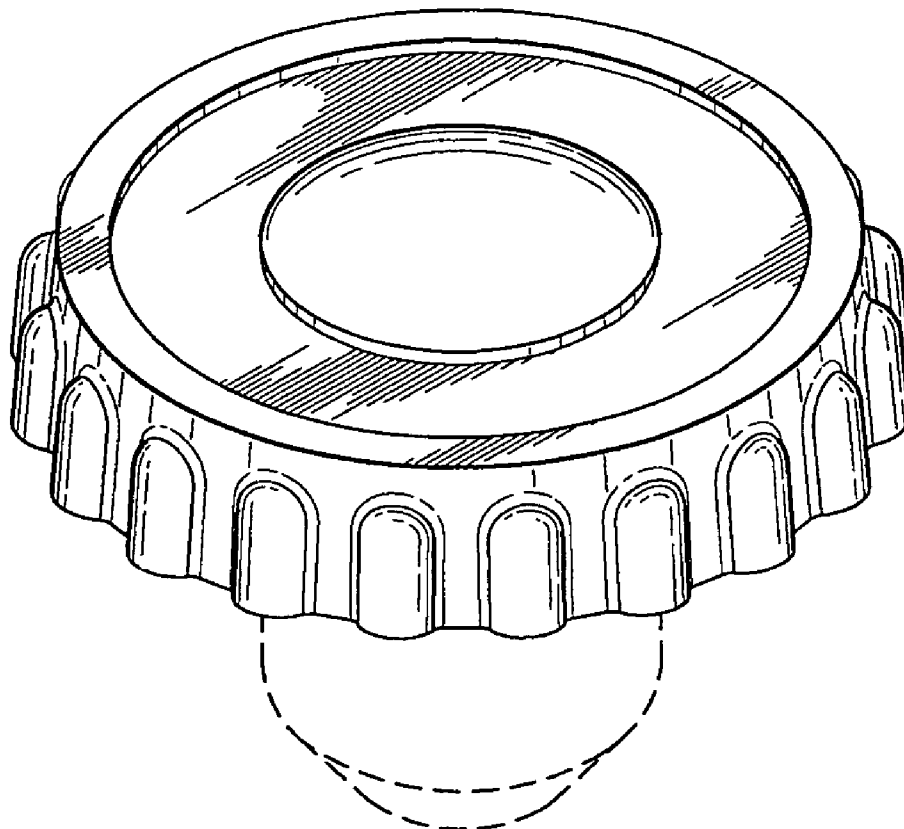
(57) **CLAIM**

The ornamental design for a bottle cap, as shown and described.

DESCRIPTION

FIG. 1 is a top perspective view of the bottle cap;
FIG. 2 is a bottom perspective view of the bottle cap;
FIG. 3 is a top view of the bottle cap;
FIG. 4 is a side elevation view of the bottle cap; and,
FIG. 5 is a bottom view of the bottle cap.
The broken lines in the drawing depict environmental subject matter only and form no part of the claimed design.

1 Claim, 2 Drawing Sheets



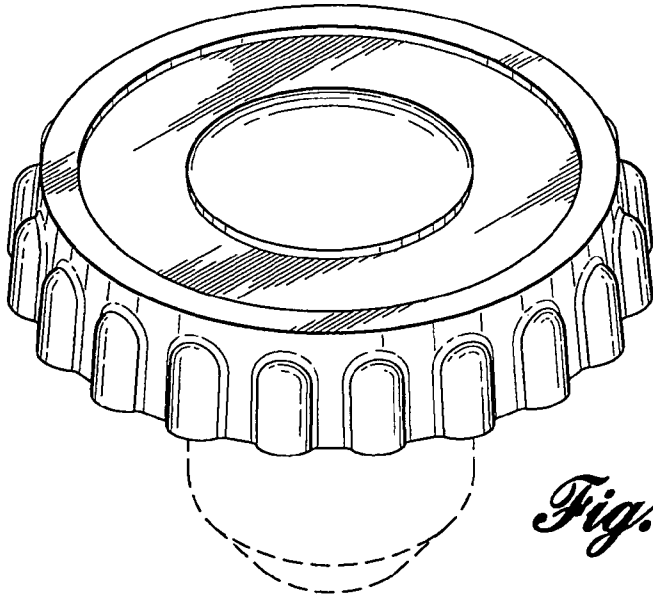


Fig. 1.

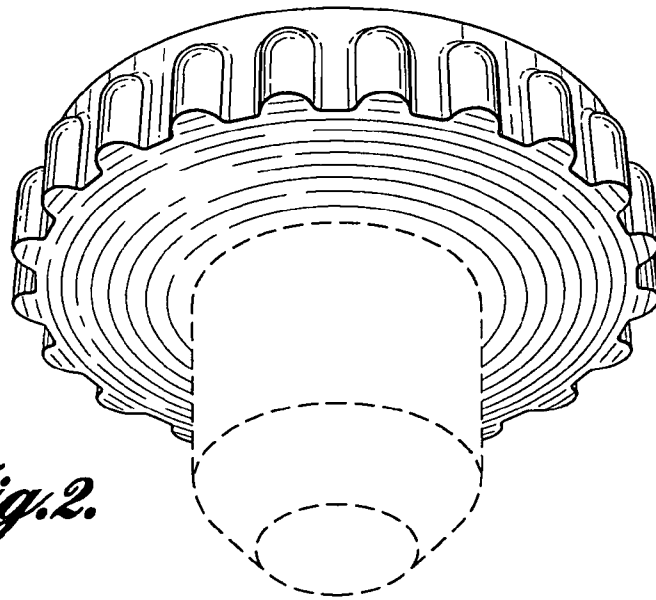


Fig. 2.

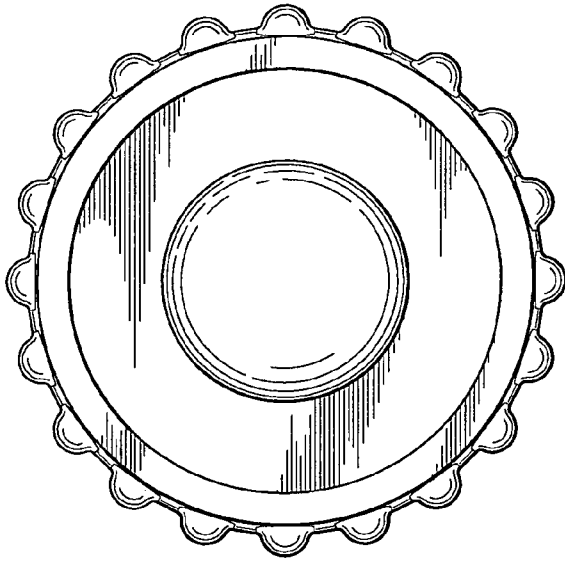


Fig. 3.

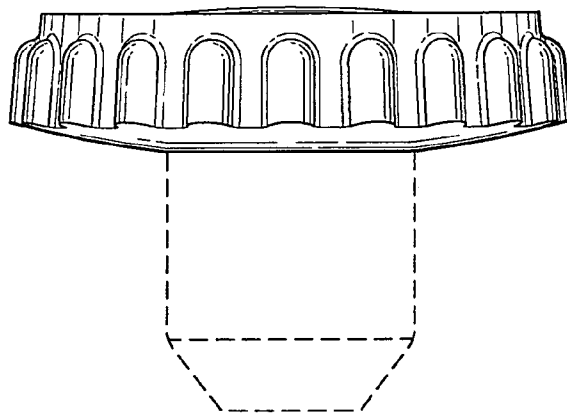


Fig. 4.

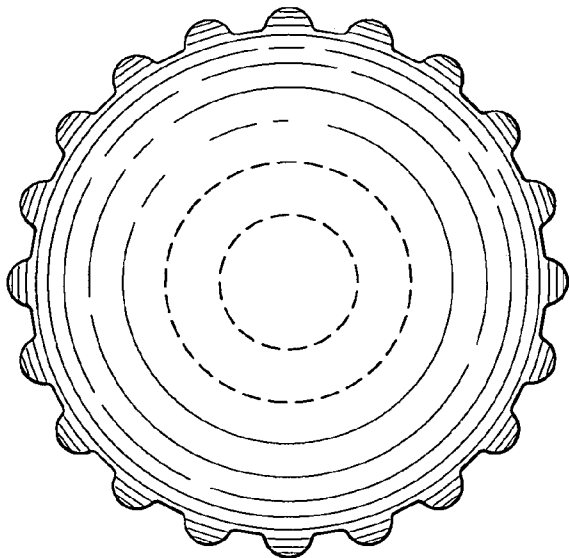


Fig. 5.