



(12) **United States Design Patent**
Reches et al.

(10) **Patent No.:** **US D777,251 S**
(45) **Date of Patent:** **** Jan. 24, 2017**

(54) **STAND**

(71) Applicant: **Formlabs, Inc.**, Somerville, MA (US)

(72) Inventors: **Yoav Reches**, Cambridge, MA (US);
Jason Livingston, Somerville, MA
(US); **Jared Laucks**, Cambridge, MA
(US); **Konstantinos Oikonomopoulos**,
Boston, MA (US)

(73) Assignee: **Formlabs, Inc.**, Somerville, MA (US)

(**) Term: **15 Years**

(21) Appl. No.: **29/537,779**

(22) Filed: **Aug. 28, 2015**

(51) **LOC (10) Cl.** **18-02**

(52) **U.S. Cl.**
USPC **D18/59**

(58) **Field of Classification Search**
USPC D18/59, 53, 50, 55, 56; D6/672, 681.3,
D6/694; D14/375, 413, 432, 447, 451
CPC G03B 27/53; G03B 27/62; G03G 15/60;
B65H 31/02; B65H 31/22; B65H 31/24;
B65H 31/26; B29C 70/28
See application file for complete search history.

(56) **References Cited**

U.S. PATENT DOCUMENTS

D409,169 S *	5/1999	Gustafsson	D14/454
D414,165 S *	9/1999	Klein	D14/432
D447,769 S *	9/2001	McCone	D18/56
D476,337 S *	6/2003	Bradley	D14/434
D569,657 S *	5/2008	Sellers	D7/619.1
D654,054 S *	2/2012	Kohte	D14/217
D699,711 S *	2/2014	Trotsky	D14/217
D714,775 S *	10/2014	Yoo	D14/253
D735,722 S *	8/2015	Amann	D14/413
D760,723 S *	7/2016	Won	D14/447

D760,724 S *	7/2016	Kang	D14/447
D765,063 S *	8/2016	Wengreen	D14/238.1
2013/0187020 A1*	7/2013	Trotsky	F16M 11/10 248/309.3

FOREIGN PATENT DOCUMENTS

JP	D1071995	*	5/2000
WO	D088656-001	*	5/2016

OTHER PUBLICATIONS

Formlabs. <URL: <http://formlabs.com/store/us/form-2/buy-printer/>>. Sep. 26, 2015. Form 2 complete package, including stand.*

* cited by examiner

Primary Examiner — Thomas Johannes
Assistant Examiner — Lauren McVey
(74) *Attorney, Agent, or Firm* — Wolf, Greenfield & Sacks, P.C.

(57) **CLAIM**

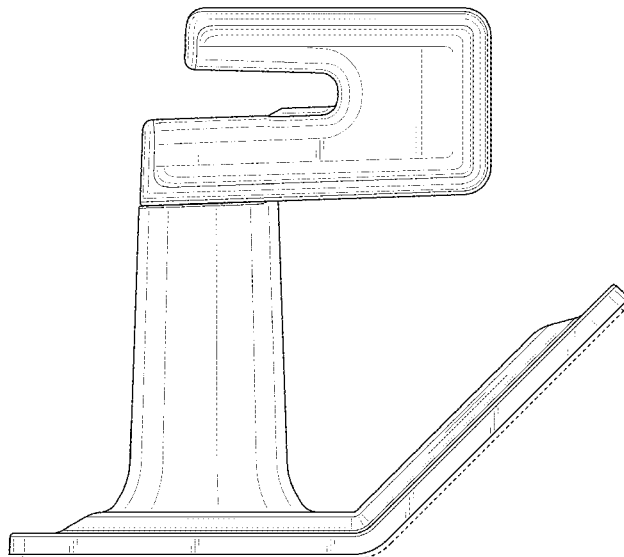
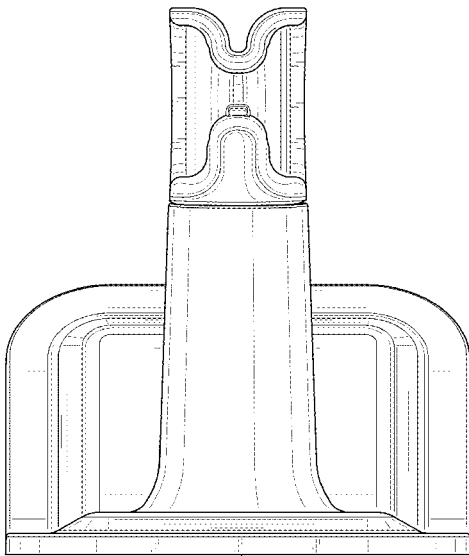
The ornamental design for a stand, as shown and described.

DESCRIPTION

FIG. 1 is a top, front, right perspective view of a stand showing our new design;
FIG. 2 is a front view thereof;
FIG. 3 is a rear view thereof;
FIG. 4 is a left side view thereof;
FIG. 5 is a right side view thereof;
FIG. 6 is a top view thereof;
FIG. 7 is a bottom view thereof; and,
FIG. 8 is a top, front, right exploded perspective view thereof.

The evenly dashed broken lines illustrate portions of the stand that form no part of the claimed design; the dot-dash broken lines in FIG. 8 illustrate alignment lines that form no part of the claimed design.

1 Claim, 8 Drawing Sheets



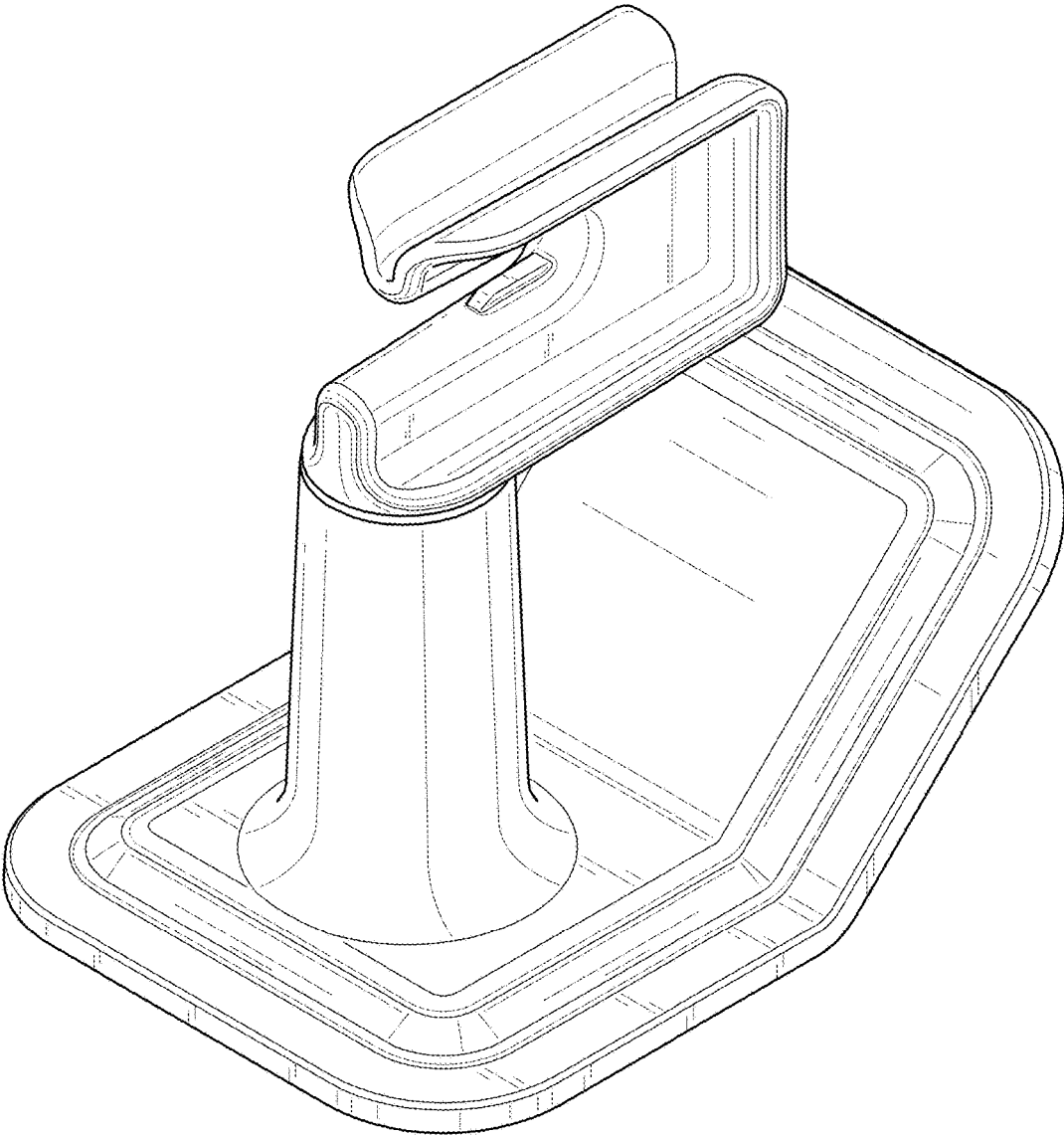


FIG. 1

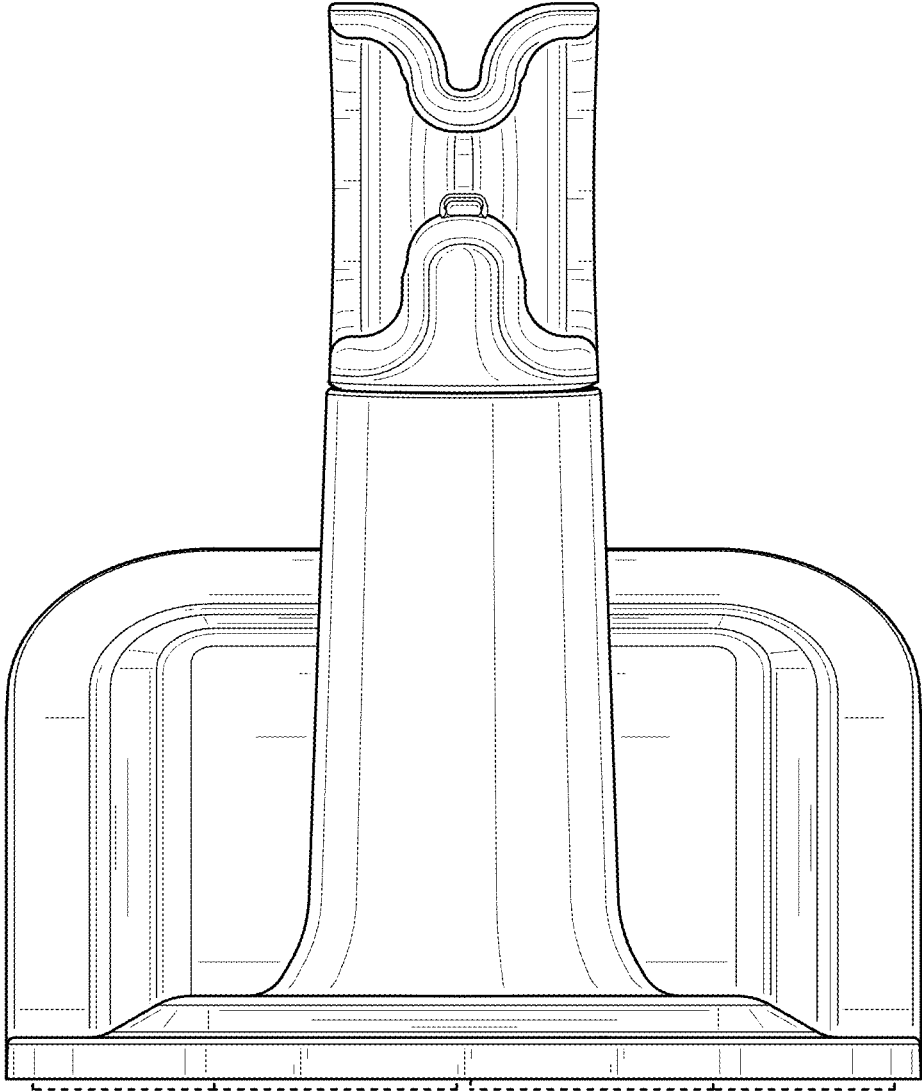


FIG. 2

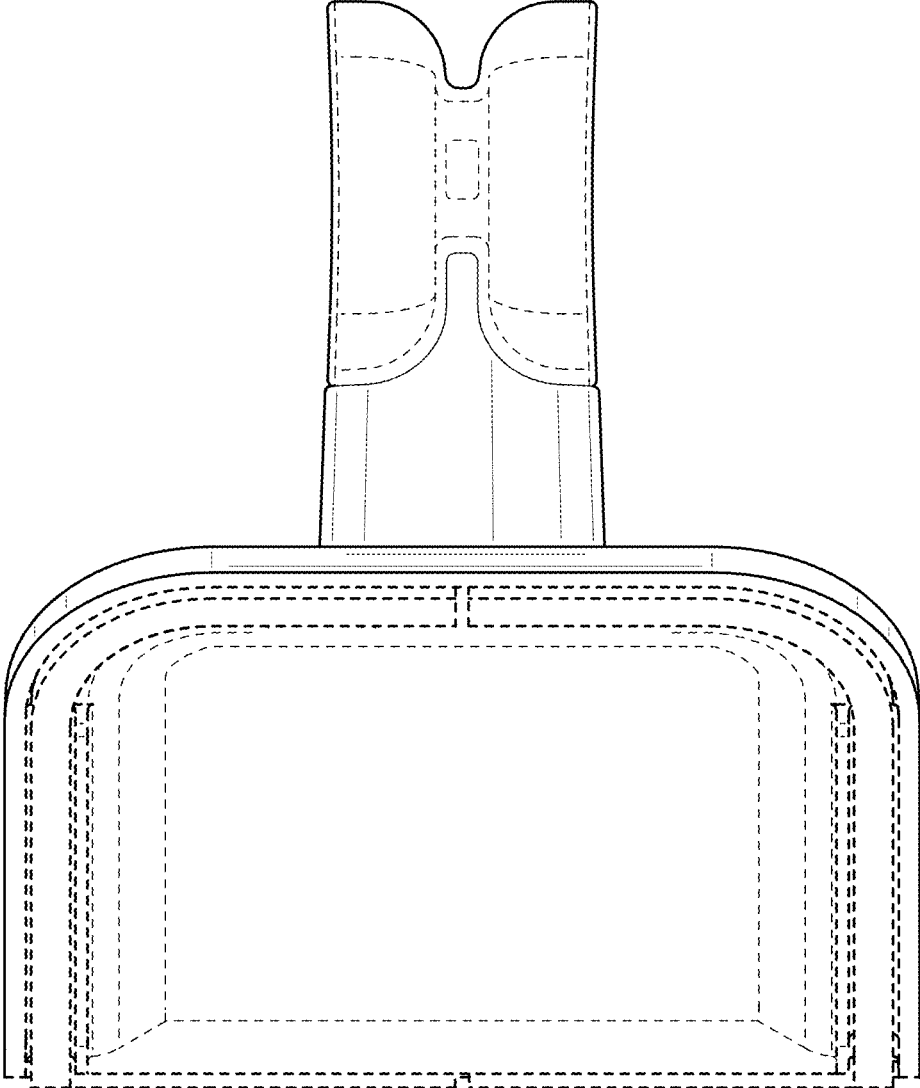


FIG. 3

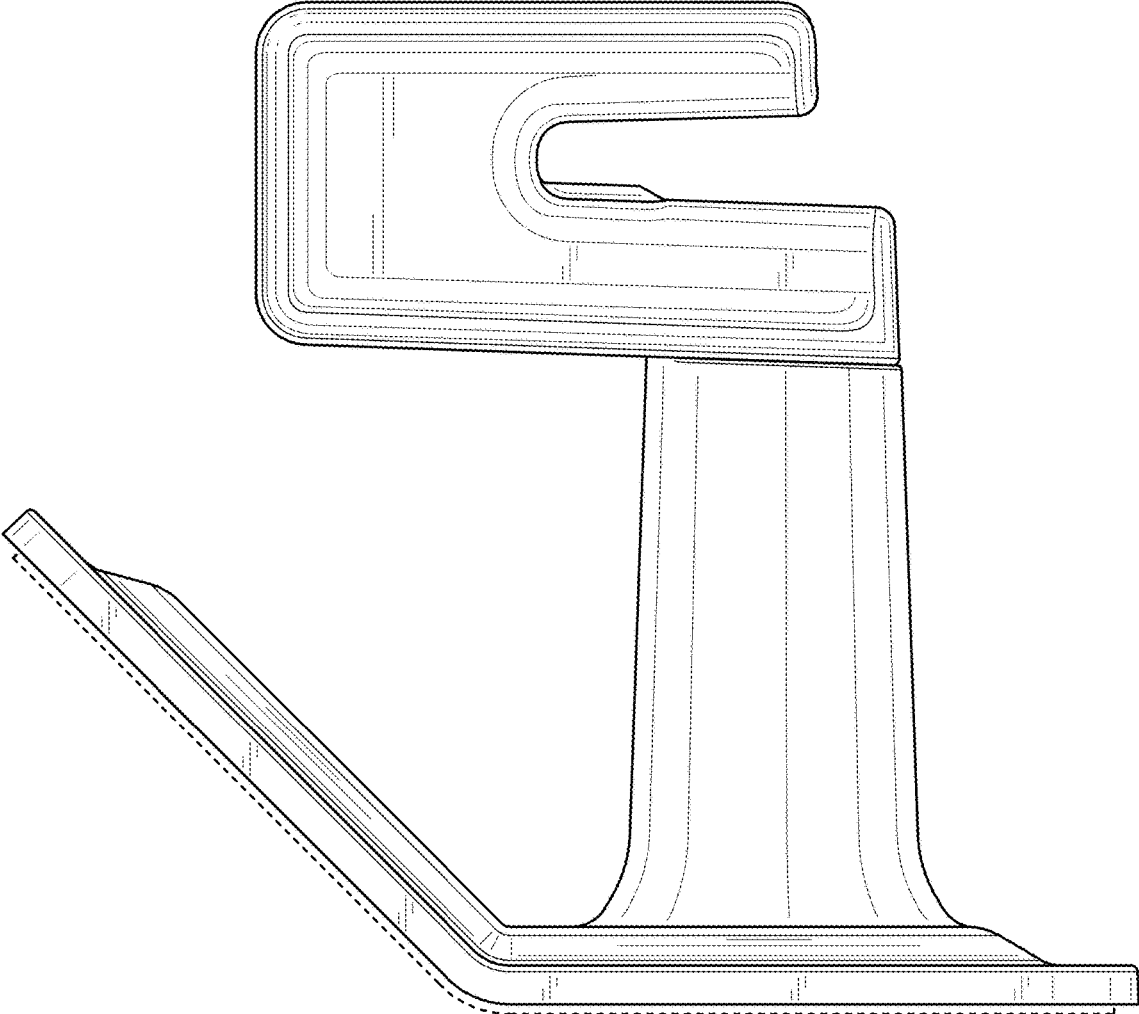


FIG. 4

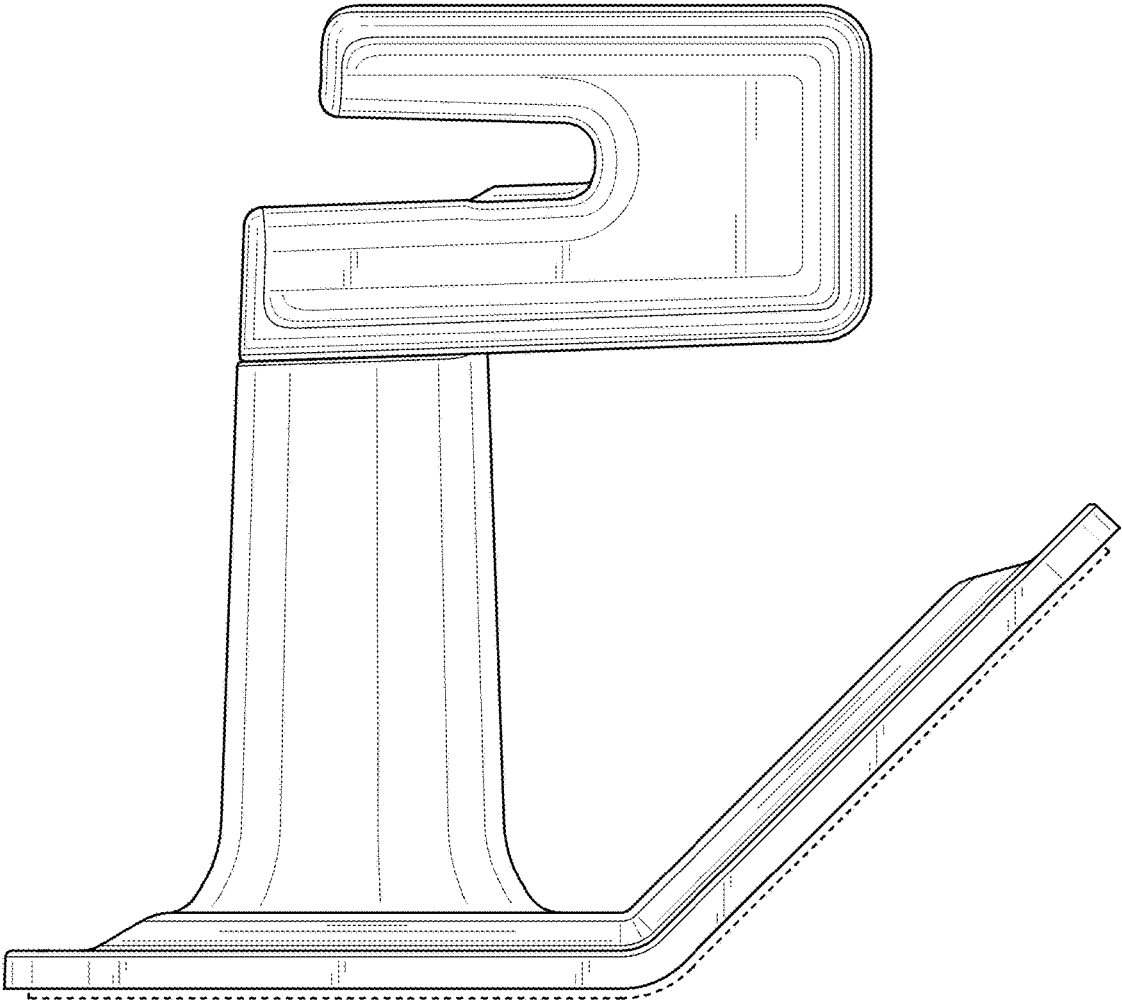


FIG. 5

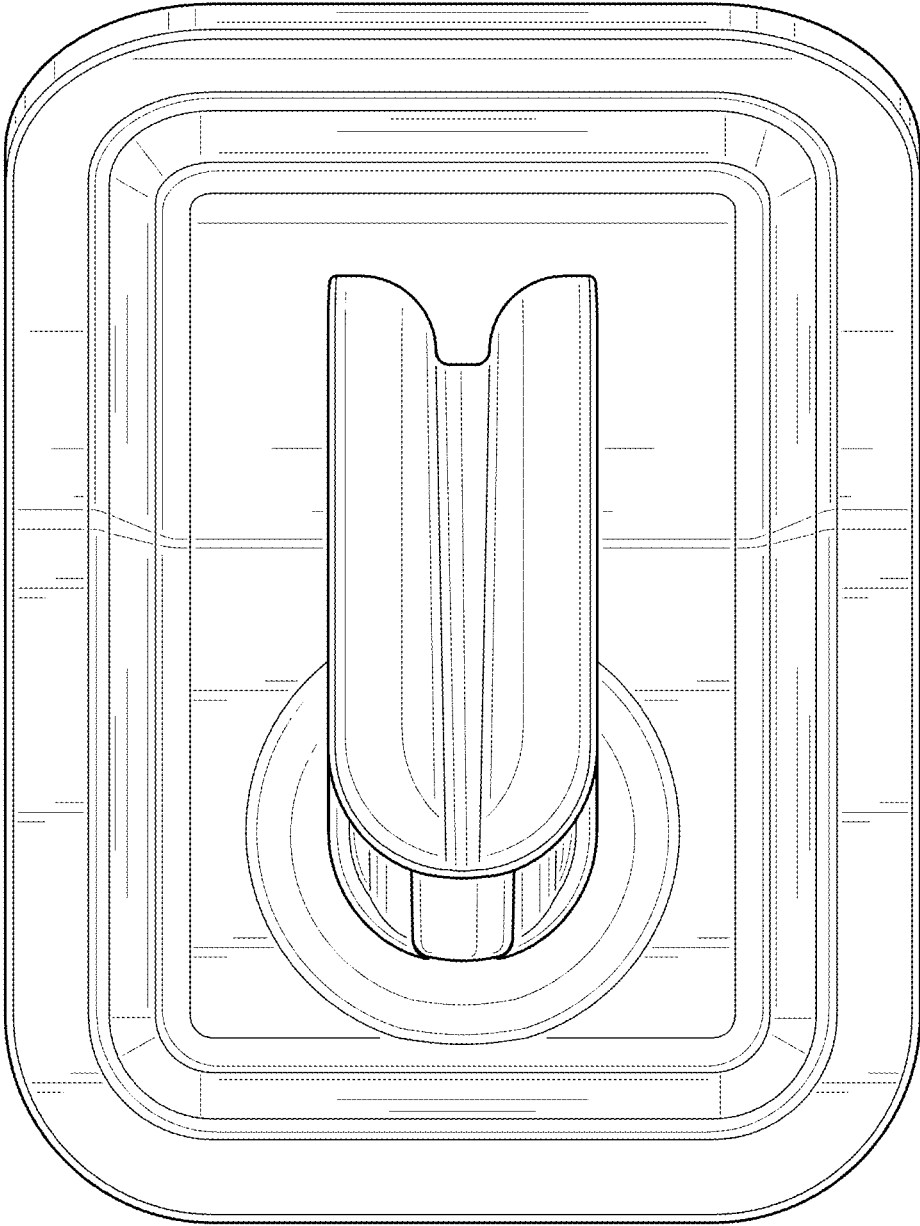


FIG. 6

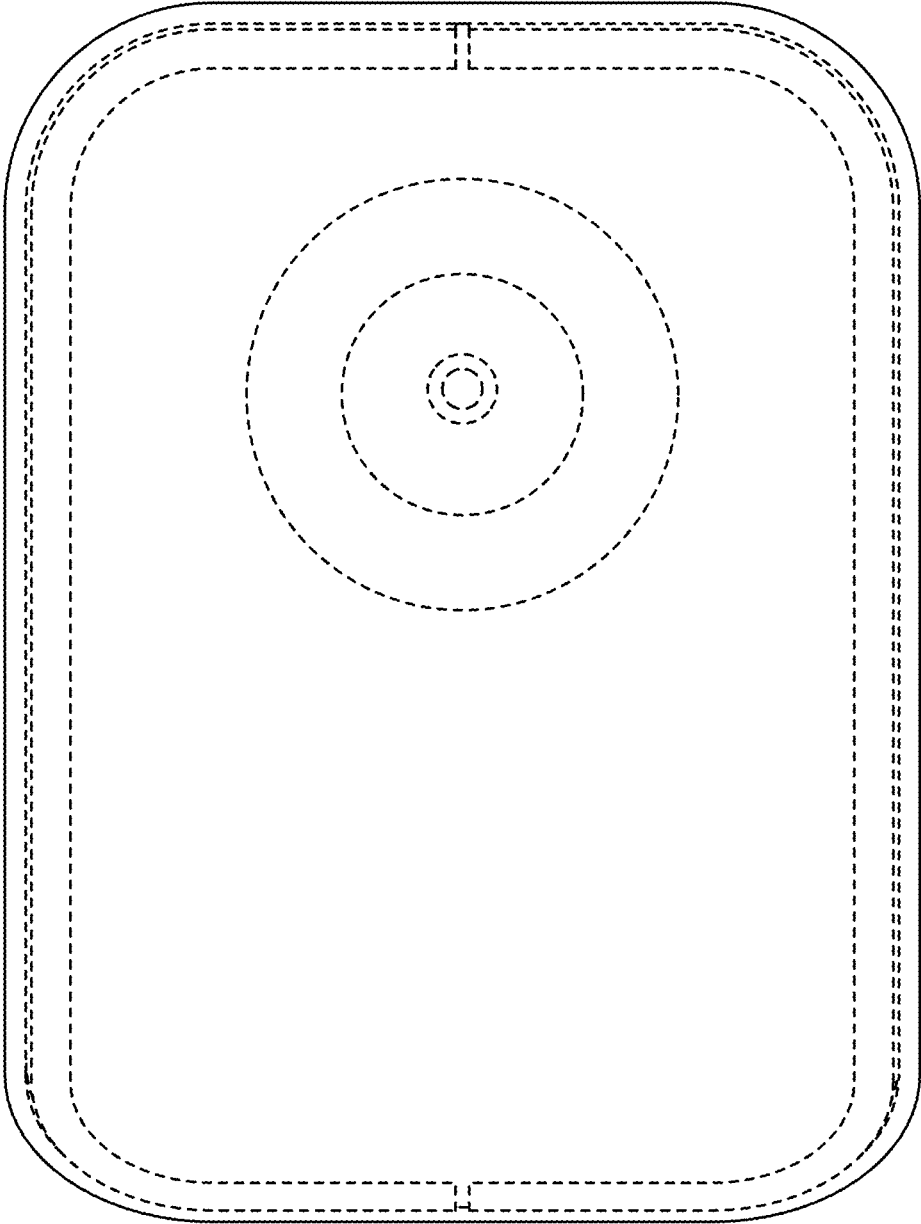


FIG. 7

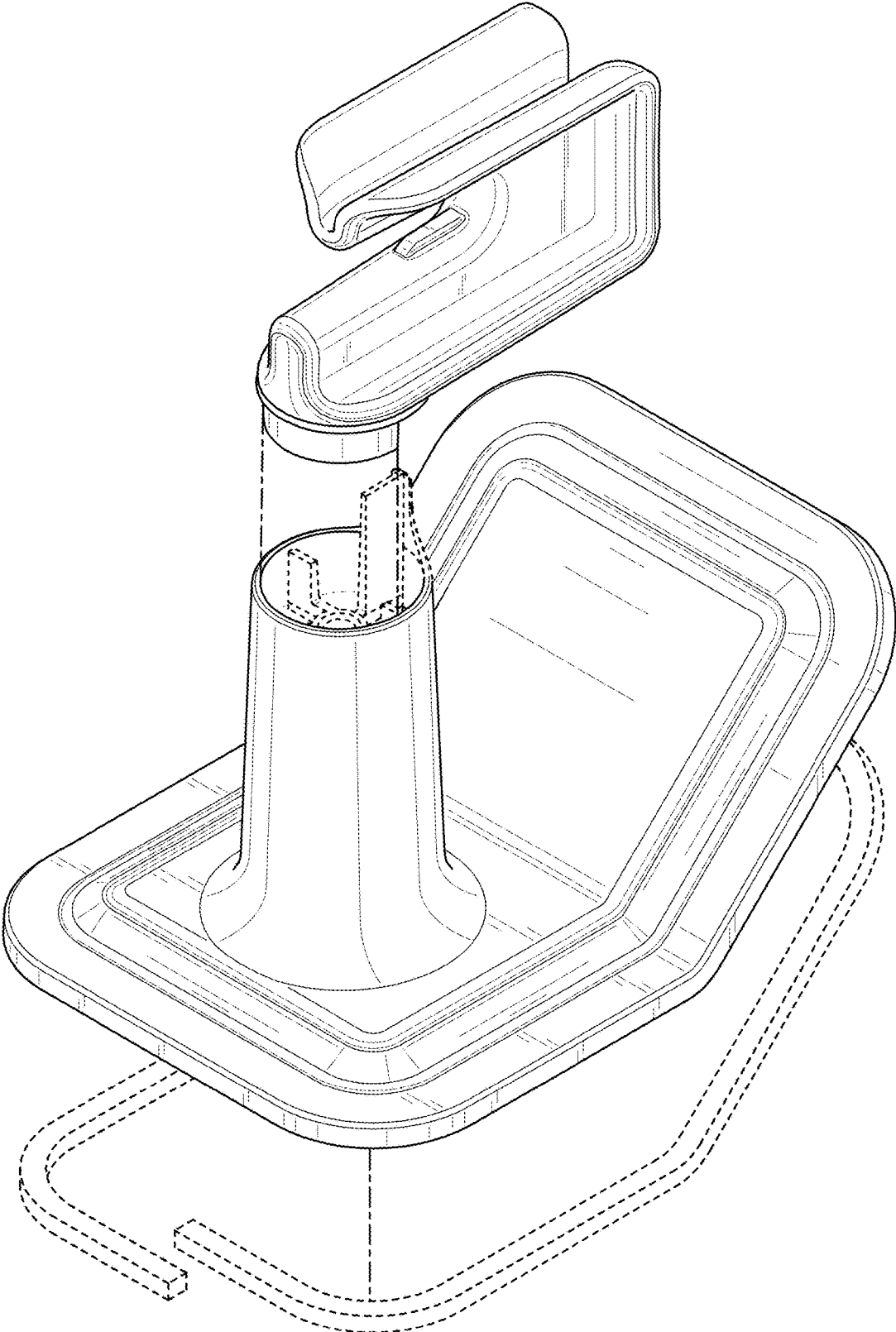


FIG. 8