



US00D472781S

(12) **United States Design Patent**  
Netzler

(10) **Patent No.:** **US D472,781 S**

(45) **Date of Patent:** **\*\* Apr. 8, 2003**

- (54) **DRILL**
- (75) Inventor: **Sion Netzler**, Newton Aycliffe (GB)
- (73) Assignee: **Black & Decker Inc.**, Newark, DE (US)
- (\*\*) Term: **14 Years**
- (21) Appl. No.: **29/152,026**
- (22) Filed: **Dec. 13, 2001**
- (51) **LOC (7) Cl.** ..... **08-01**
- (52) **U.S. Cl.** ..... **D8/68**
- (58) **Field of Search** ..... D8/61, 62, 63, D8/64, 65, 66, 67, 68, 69, 70; 81/57.11, 429, 464, 465, 466, 469, 489; 173/13, 169, 178, 213, 217; 227/8, 114, 120, 130, 136, 142; 310/50; 408/20, 124, 125, 234, 241 R; 451/358

D421,883 S	3/2000	Watson et al.	
6,060,801 A *	5/2000	Anderson	310/50
D426,126 S	6/2000	Schultz	
D426,760 S	6/2000	Schultz	
D428,320 S	7/2000	Ohi et al.	
D429,134 S	8/2000	Schultz et al.	
6,152,639 A *	11/2000	Hsu	408/241 R
D435,414 S	12/2000	Etter et al.	
D437,759 S	2/2001	Breit et al.	
D447,036 S *	8/2001	Netzler	D8/69
D460,673 S *	7/2002	Heun	D8/68
D460,674 S *	7/2002	Heun	D8/68

\* cited by examiner

*Primary Examiner*—Doris V. Coles

*Assistant Examiner*—T. Chase Nelson

(74) *Attorney, Agent, or Firm*—Bruce S. Shapiro; Charles E. Yocum; John D. DelPonti

(57) **CLAIM**

The ornamental design for a drill, as shown and described.

**DESCRIPTION**

FIG. 1 is a front perspective view of a drill showing my new design.

FIG. 2 is a rear perspective view thereof.

FIG. 3 is a left side elevational view thereof.

FIG. 4 is a right side elevational view thereof.

FIG. 5 is a front elevational view thereof.

FIG. 6 is a rear elevational view thereof.

FIG. 7 is a top plan view thereof; and,

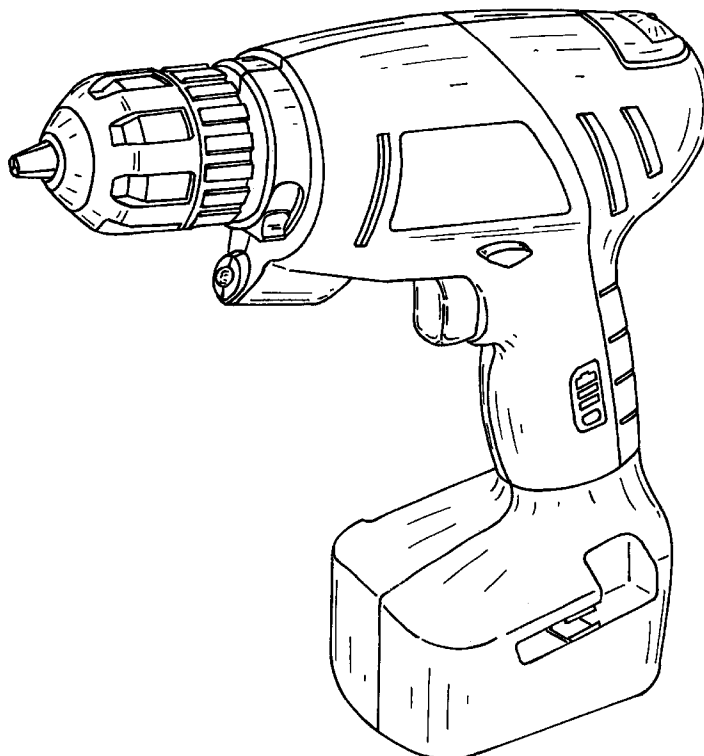
FIG. 8 is a bottom plan view thereof.

**1 Claim, 6 Drawing Sheets**

(56) **References Cited**

**U.S. PATENT DOCUMENTS**

D300,503 S	4/1989	Schultz	
D382,457 S *	8/1997	Ghode et al.	D8/68
D386,662 S *	11/1997	Tozawa et al.	D8/68
D396,177 S *	7/1998	Schultz	D8/68
D402,872 S	12/1998	Clowers et al.	
D409,467 S	5/1999	Chung	
D414,667 S *	10/1999	Lee	D8/68
D418,730 S	1/2000	Main	
D419,413 S *	1/2000	Heun	D8/68
D420,877 S	2/2000	Schultz	



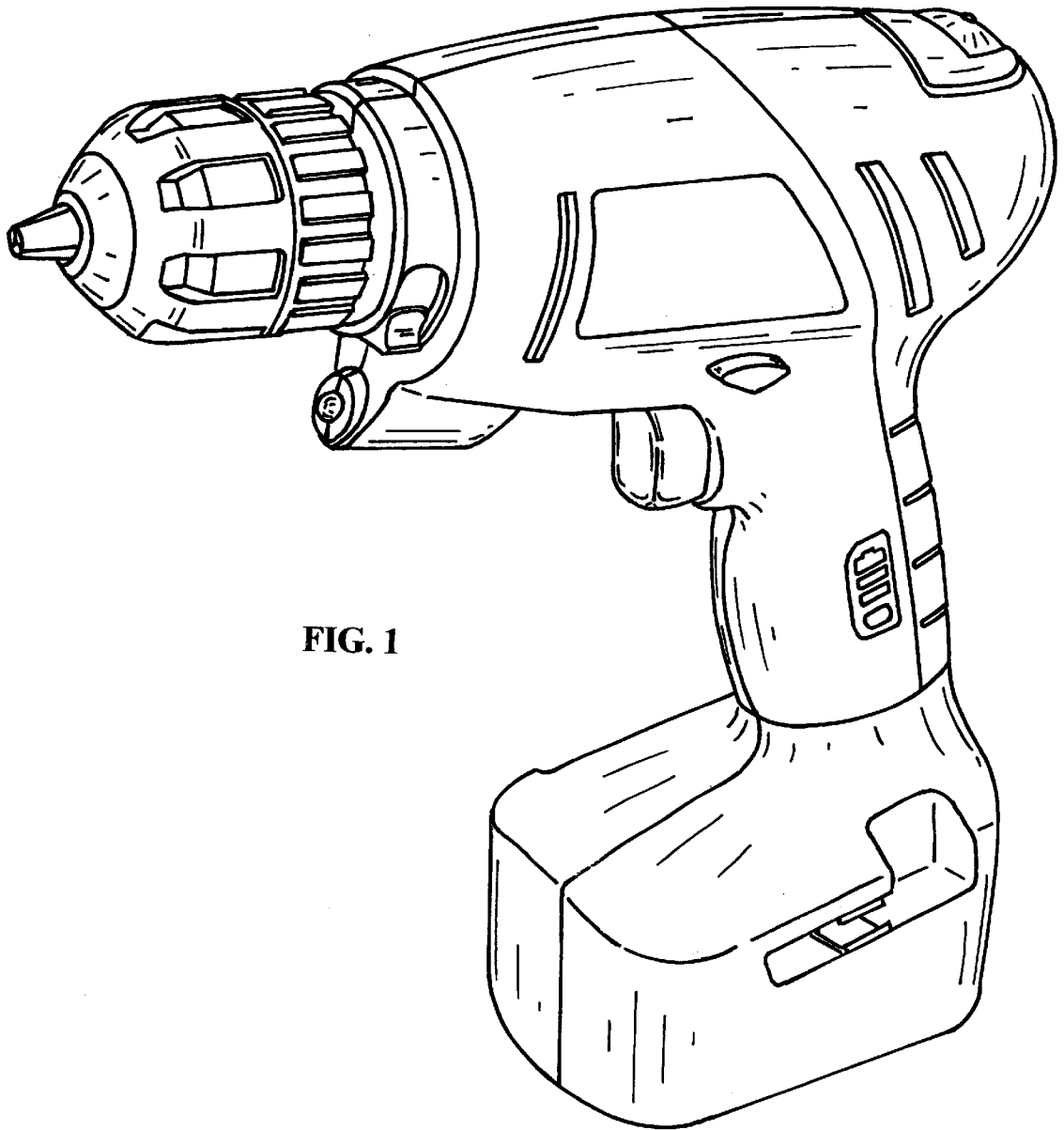


FIG. 1

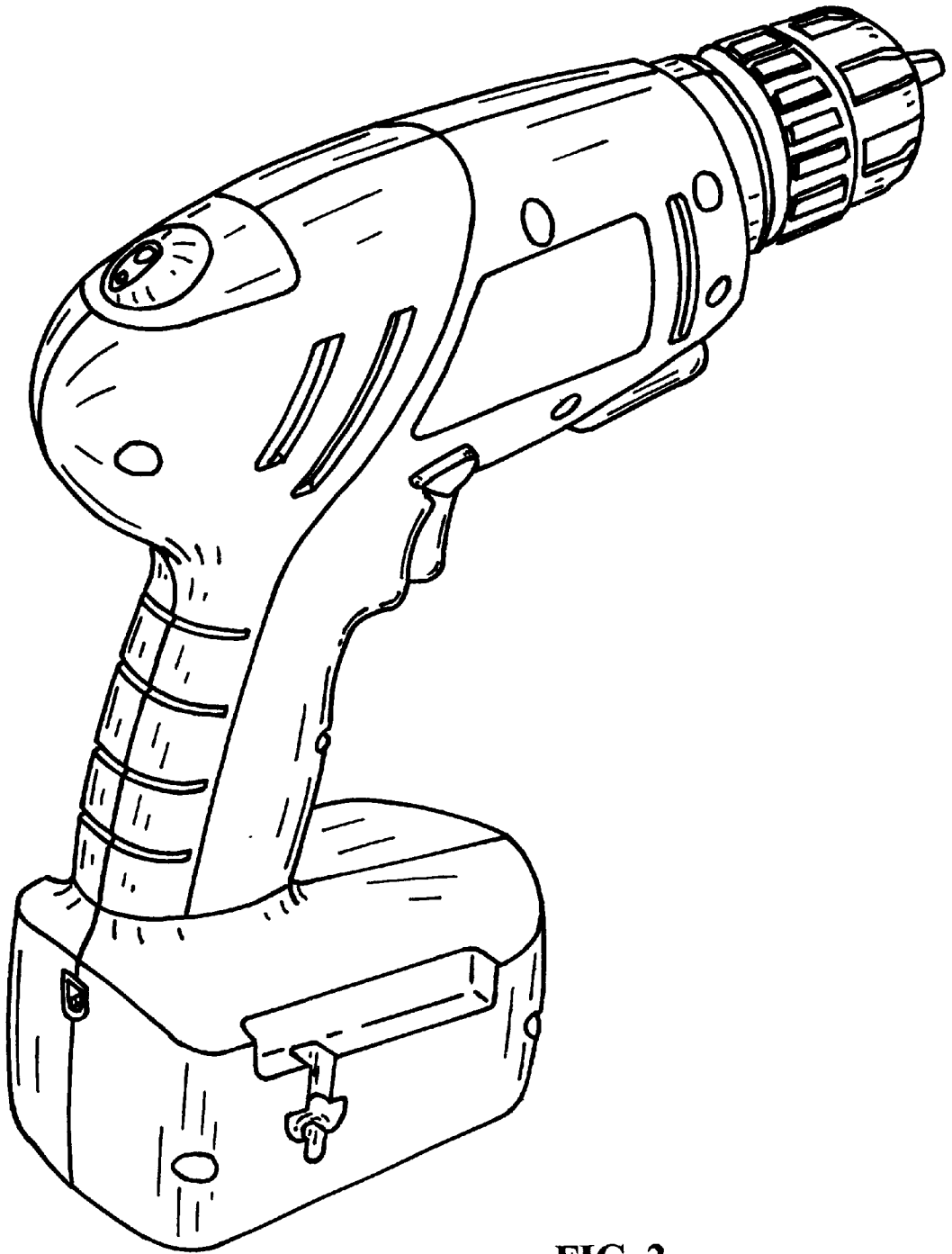


FIG. 2

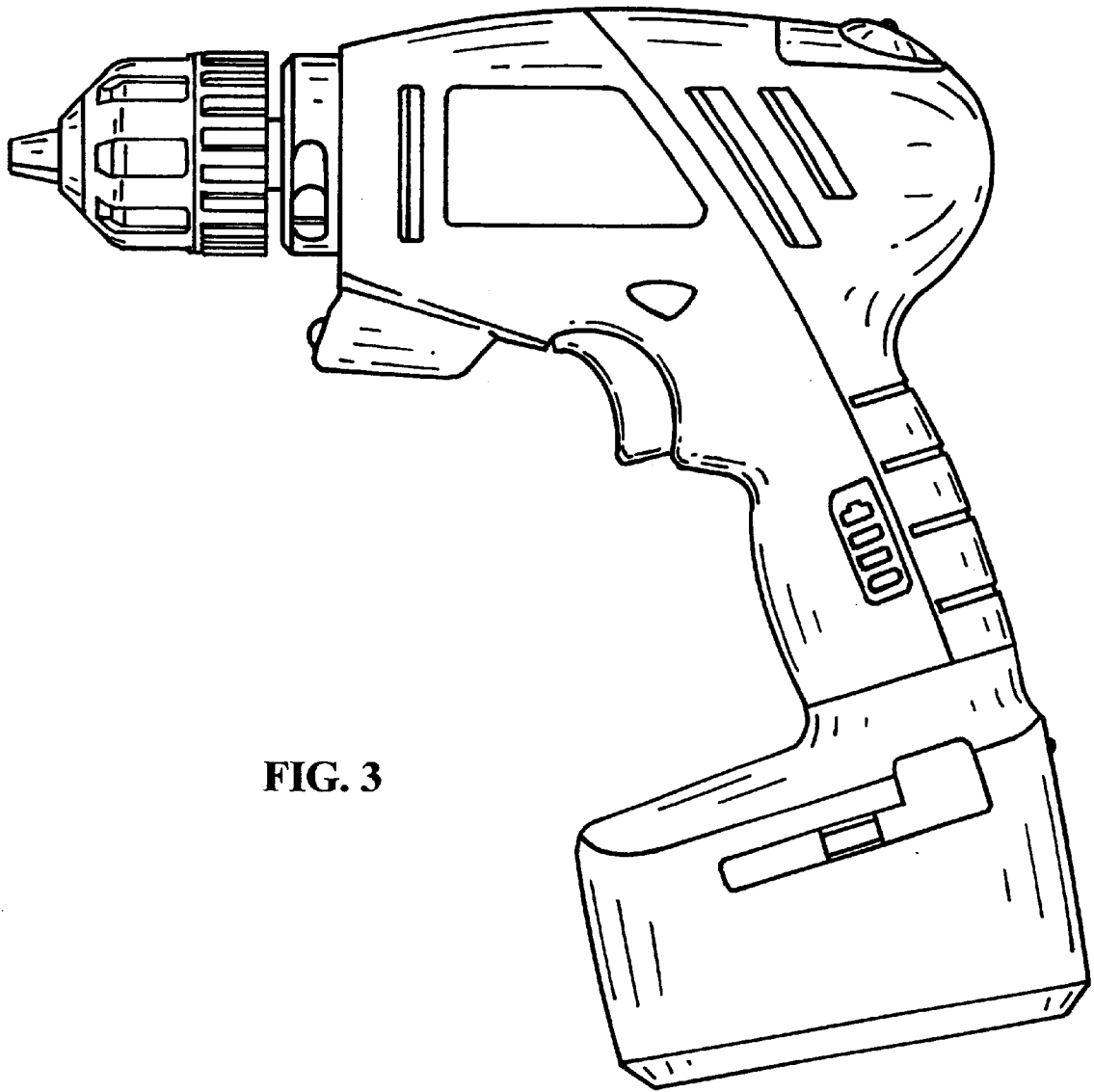


FIG. 3

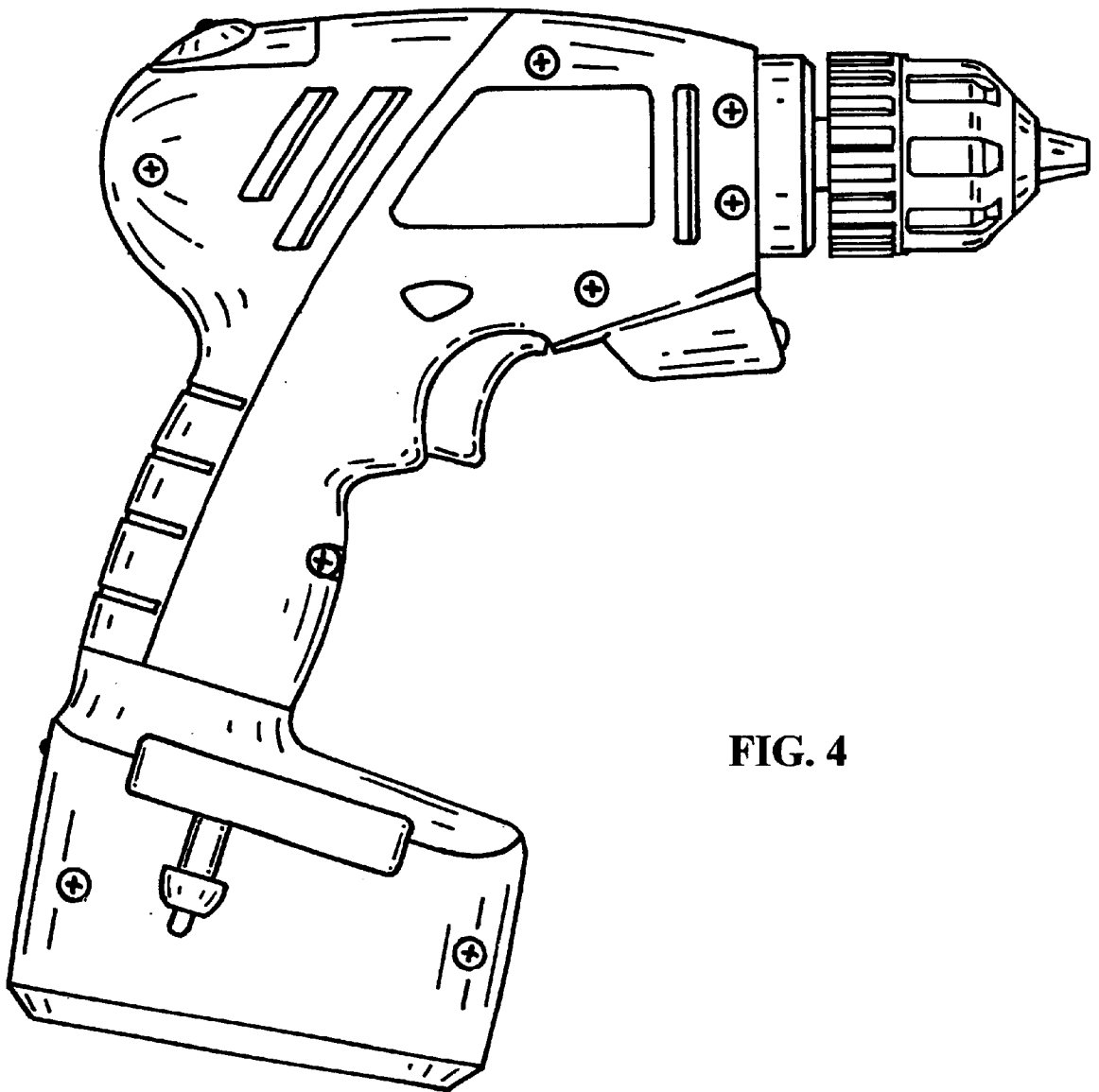


FIG. 4

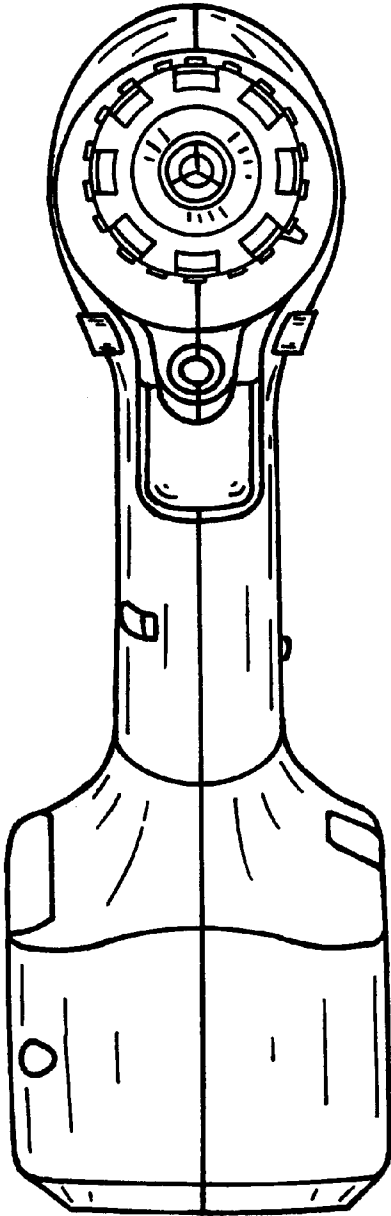


FIG. 5

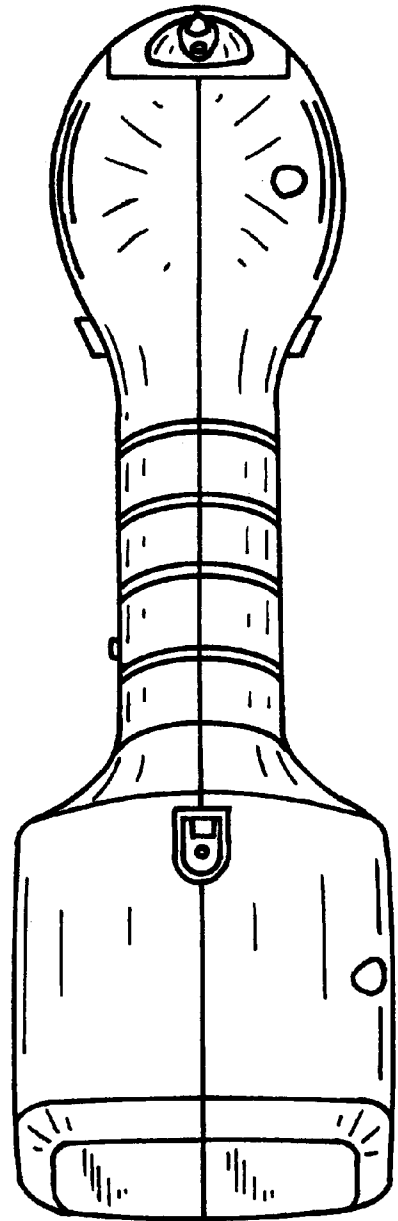


FIG. 6

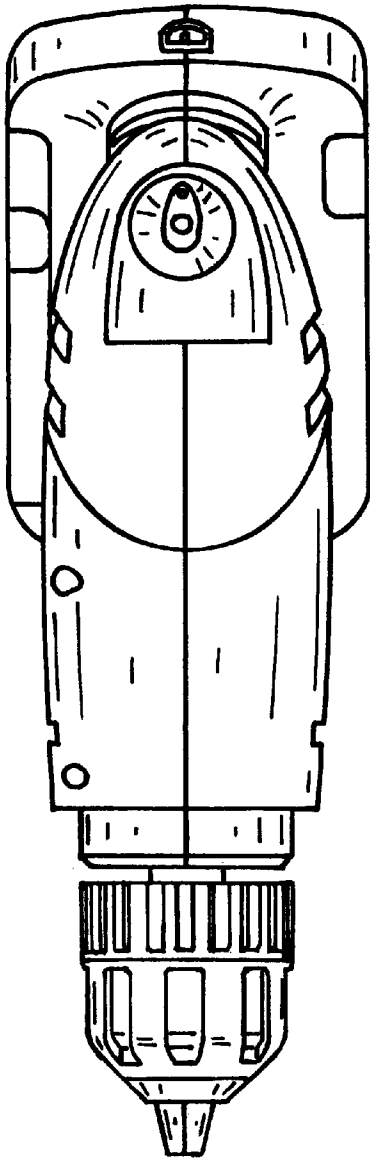


FIG. 7

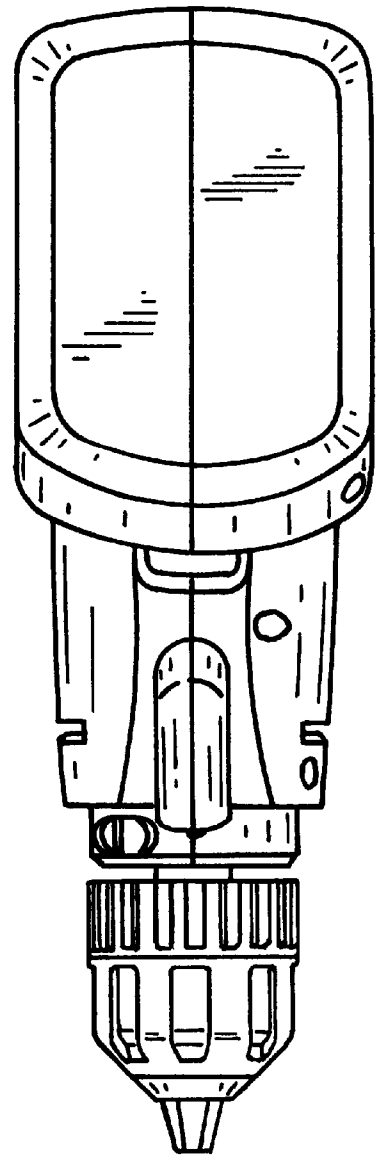


FIG. 8