



US00D913742S

(12) **United States Design Patent**
DeLeo et al.

(10) **Patent No.:** **US D913,742 S**
(45) **Date of Patent:** **** Mar. 23, 2021**

(54) **MIXER**
(71) Applicant: **Sunbeam Products, Inc.**, Boca Raton, FL (US)
(72) Inventors: **Anthony DeLeo**, Portage, MI (US); **Charlotte Zale**, Portage, MI (US)
(73) Assignee: **Sunbeam Products, Inc.**, Boca Raton, FL (US)
(**) Term: **15 Years**

3,333,824 A * 8/1967 Jepson A47J 44/00 366/344
3,904,178 A * 9/1975 Scott A47J 43/044 366/199
4,568,193 A * 2/1986 Contri A47J 43/082 366/197
D384,549 S * 10/1997 Cesaroni D7/379
D395,572 S * 6/1998 Carroll D7/379
5,782,558 A * 7/1998 Roberts A47J 43/044 366/199
D465,698 S * 11/2002 Allan D7/379
(Continued)

(21) Appl. No.: **29/720,707**
(22) Filed: **Jan. 15, 2020**
(51) **LOC (13) Cl.** **31-00**
(52) **U.S. Cl.**
USPC **D7/379; D7/376**
(58) **Field of Classification Search**
USPC D7/372, 376-386, 397, 412-413, 602, D7/629, 665-666, 669, 679, 690, D7/693-694
CPC A21C 1/02; A21C 1/04; A23N 1/00; A23N 1/02; A47J 43/04; A47J 43/25; A47J 43/27; A47J 43/042; A47J 43/044; A47J 43/046; A47J 43/07; A47J 43/075; A47J 43/0722; A47J 43/0727; A47J 43/082; A47J 44/00; B01F 3/00; B01F 3/0807; B01F 3/0853; B01F 13/0059; B01F 13/0064; B02C 1/08; B02C 2/04; B02C 4/42; B02C 4/142; B02C 4/143; B02C 4/423; B02C 13/1835; B28C 5/10; B28C 5/12; B28C 5/14; B28C 5/16
See application file for complete search history.

(56) **References Cited**
U.S. PATENT DOCUMENTS
D182,424 S * 4/1958 Madl D7/379
D195,425 S * 6/1963 Reed D7/379
3,186,020 A * 6/1965 Redfield A47J 43/07 15/230.19

OTHER PUBLICATIONS

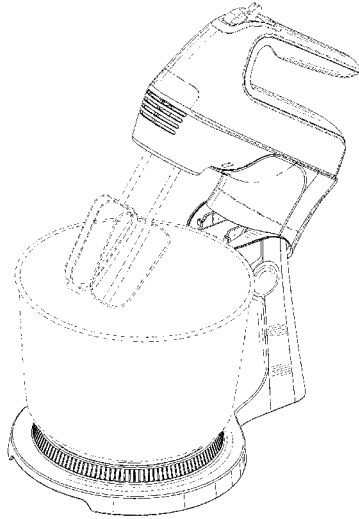
Brentwood Stand Mixer, 5-Speed + Turbo. Date First Available on Amazon.com Mar. 10, 2013. <https://www.amazon.com/Brentwood-SM-1152-Stand-5-Speed-accessory/dp/B00BRSY92E/> (Year: 2013).*
Primary Examiner — Ricky Pham
(74) *Attorney, Agent, or Firm* — Husch Blackwell LLP

(57) **CLAIM**
We claim the ornamental design for a mixer, as shown and described.

DESCRIPTION

FIG. 1 is a perspective view of a mixer;
FIG. 2 is a left side elevation view of the mixer;
FIG. 3 is a front elevation view of the mixer;
FIG. 4 is a rear elevation view of the mixer;
FIG. 5 is a right side elevation view of the mixer;
FIG. 6 is a top plan view of the mixer;
FIG. 7 is a bottom plan view of the mixer;
FIG. 8 is a perspective view of the mixer with a mixing head of the mixer in a tilted position; and,
FIG. 9 is a top plan view of the mixer with the mixing head of the mixer in a swiveled position.
Broken lines shown in the drawing views are included for illustrative purposes only, and form no part of the claimed design.

1 Claim, 8 Drawing Sheets



(56)

References Cited

U.S. PATENT DOCUMENTS

D533,021 S *	12/2006	Koszalinski	D7/379
D756,165 S *	5/2016	Lee	D7/379
D845,697 S *	4/2019	Gordon	D7/379

* cited by examiner

FIG. 1

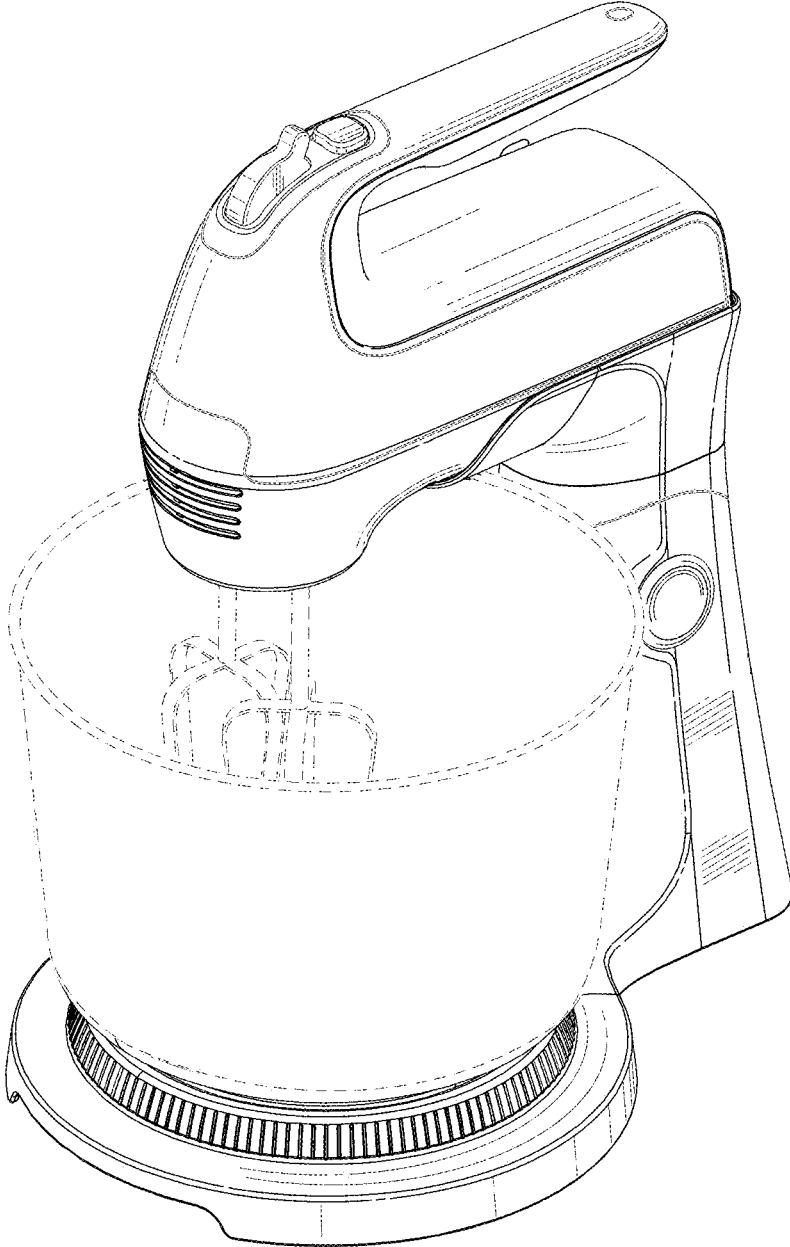


FIG. 2

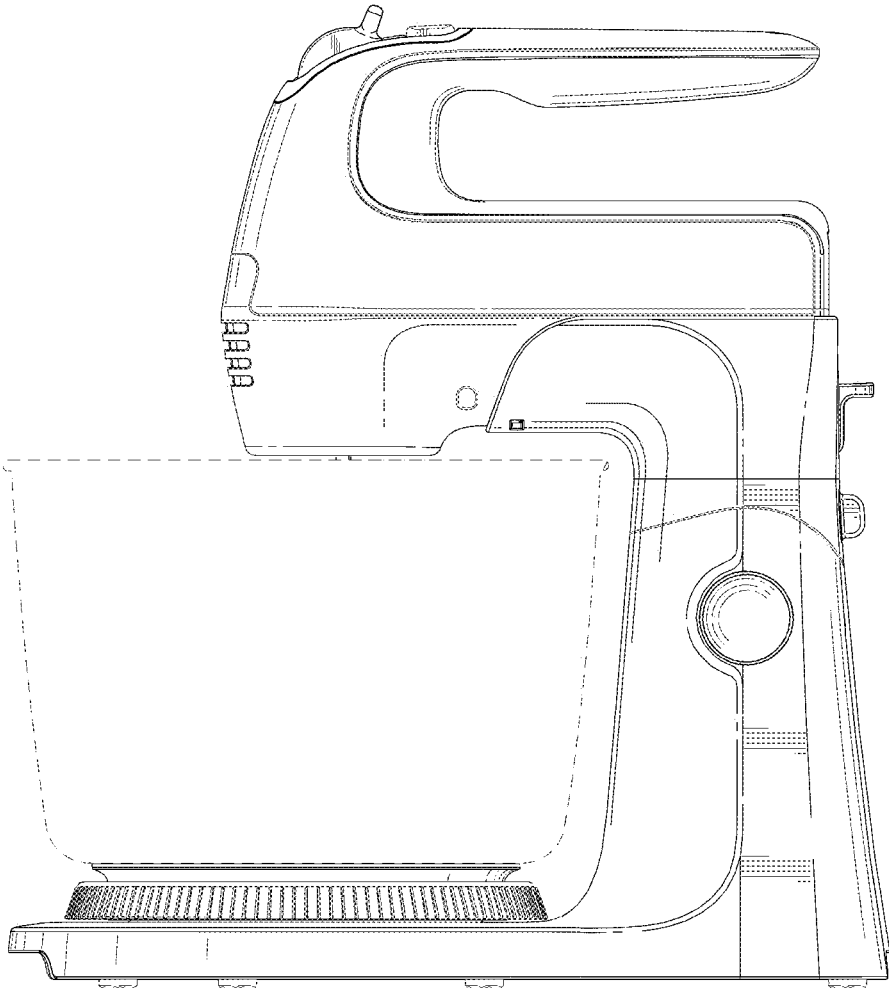


FIG. 3

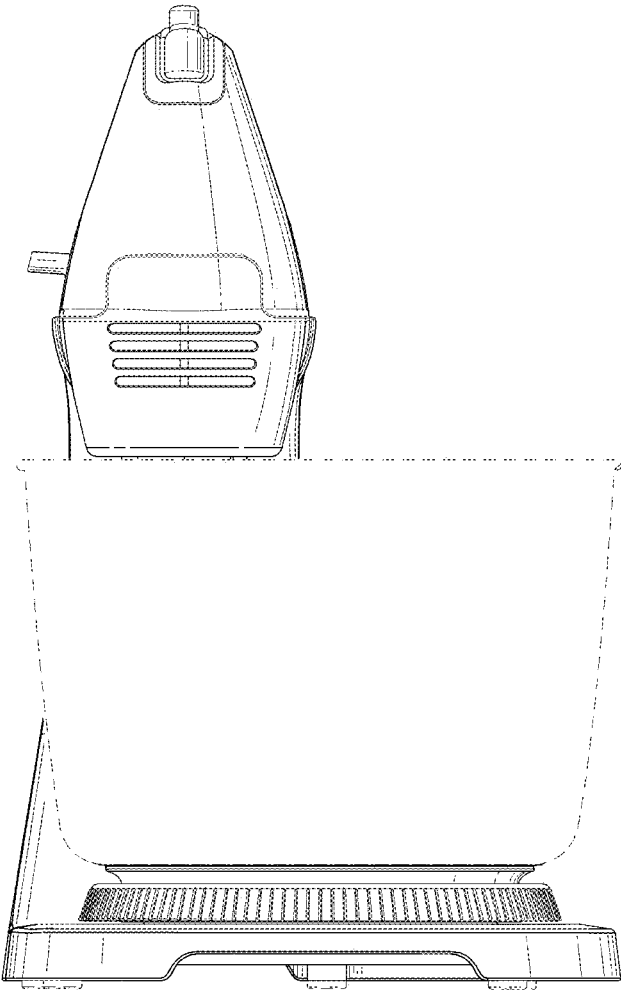


FIG. 4

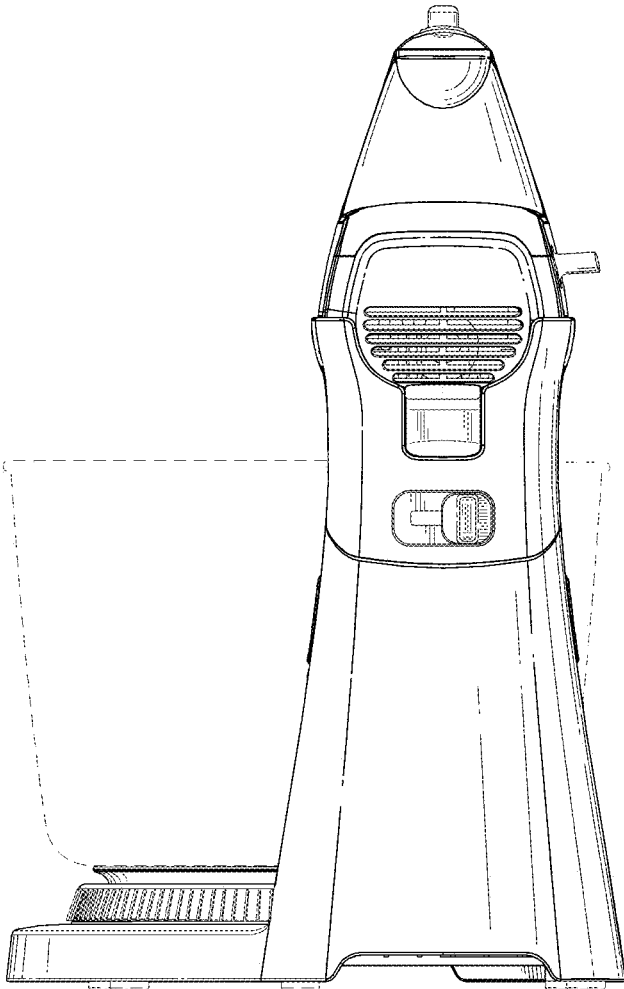


FIG. 5

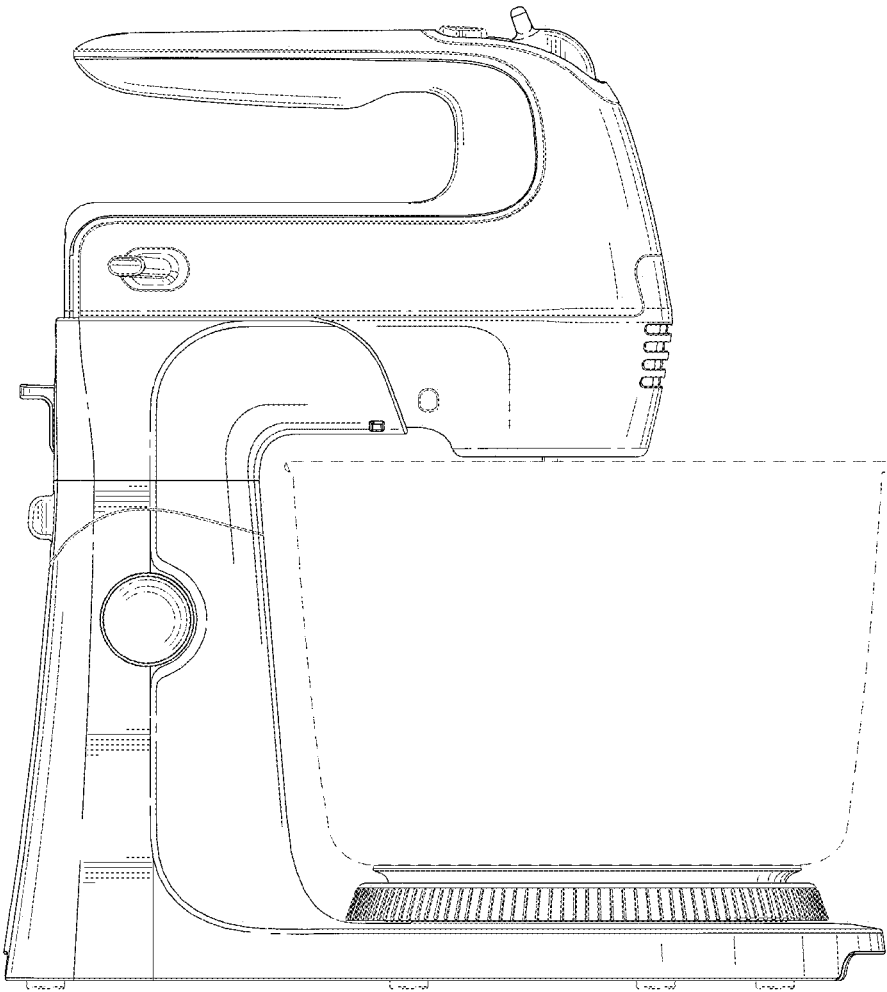


FIG. 6

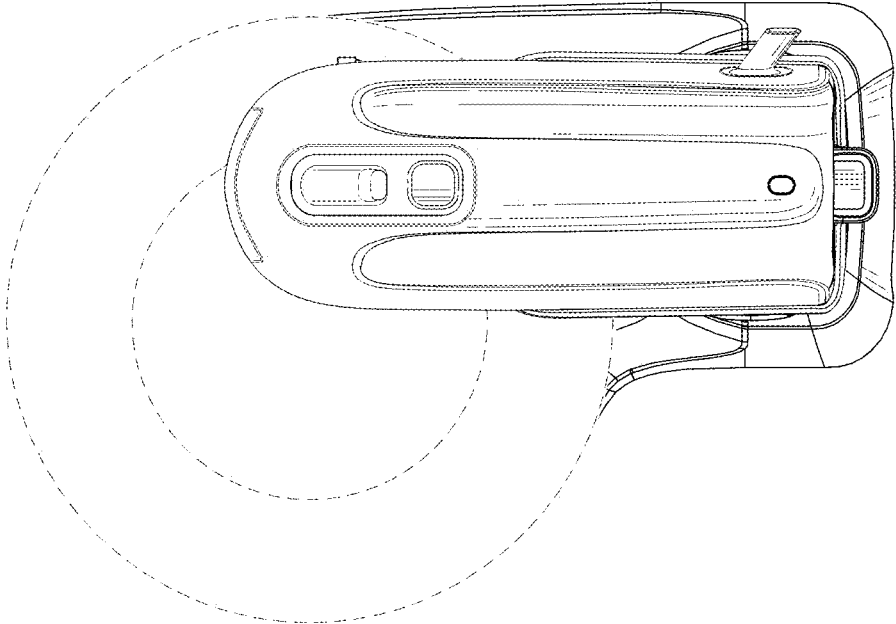


FIG. 7

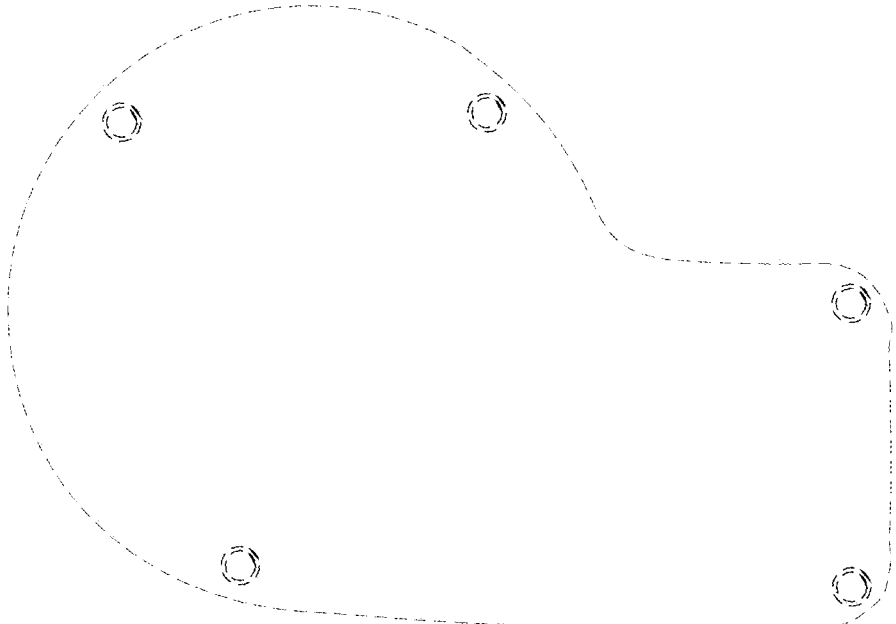


FIG. 8

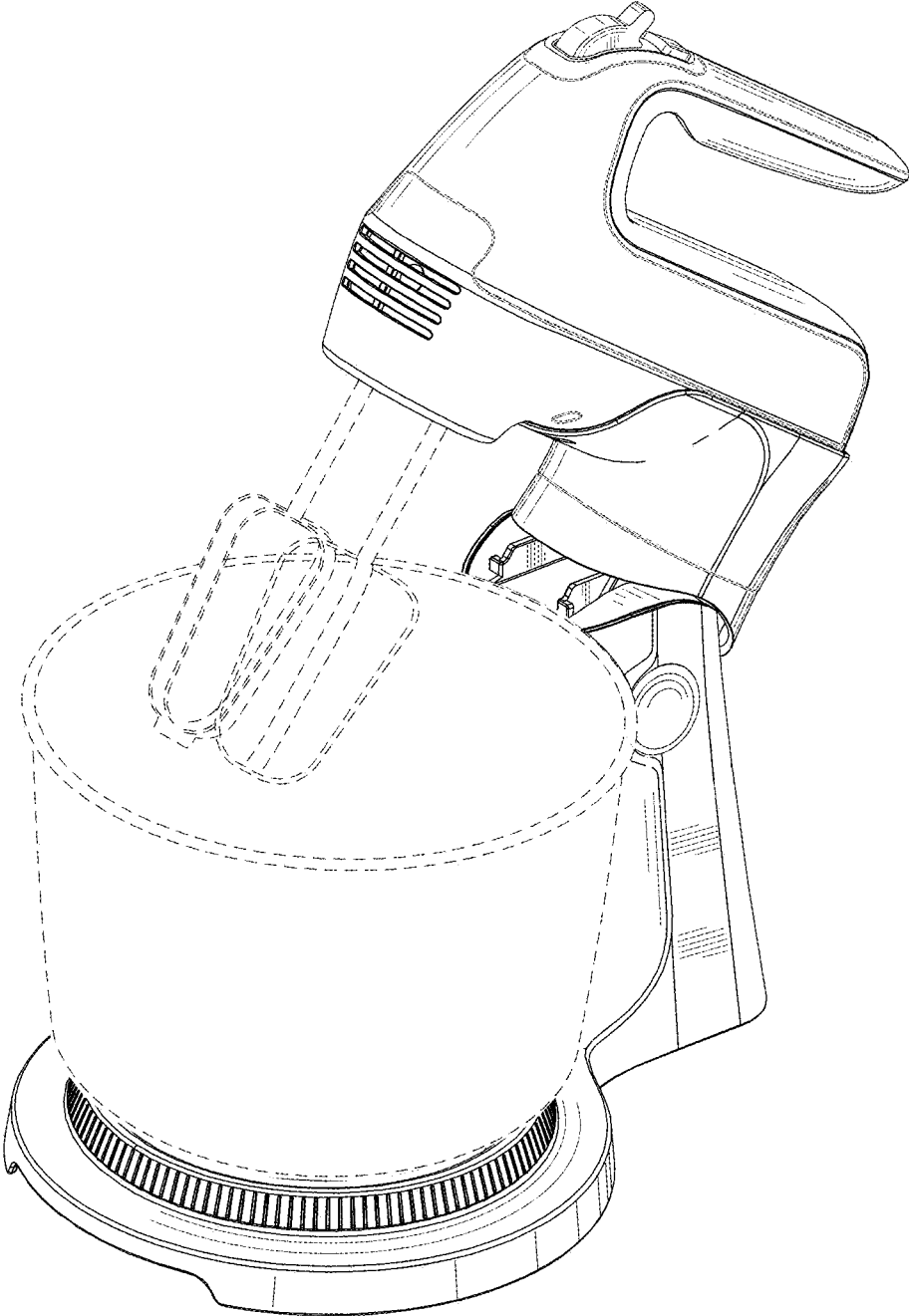


FIG. 9

