



US00D605614S

(12) **United States Design Patent**
Lee et al.

(10) **Patent No.:** **US D605,614 S**
(45) **Date of Patent:** **** Dec. 8, 2009**

- (54) **TELEVISION MONITOR**
- (75) Inventors: **Yong Ho Lee**, Seoul (KR); **Yoon Kyeong Lee**, Seoul (KR)
- (73) Assignee: **LG Electronics Inc.**, Seoul (KR)
- (**) Term: **14 Years**
- (21) Appl. No.: **29/328,804**
- (22) Filed: **Dec. 2, 2008**

(30) **Foreign Application Priority Data**
Jun. 4, 2008 (KR) 30-2008-0023925

- (51) **LOC (9) Cl.** **14-03**
- (52) **U.S. Cl.** **D14/126**
- (58) **Field of Classification Search** D14/125-134, D14/239, 371, 136, 374-377, 440, 450, 448, D14/336, 342; 312/7.2; 348/836, 838, 180, 348/184, 325, 739; 341/12; 248/917-924, 248/465; 345/104, 133, 156, 168, 87, 173; 720/605, 669, 600, 655; 369/99, 197; 455/344, 455/347; D21/329, 515, 577, 622, 333, 433, D21/448, 452, 450, 331; D6/477, 479; 273/148 B; 446/484, 175, 356; D10/15, 26
See application file for complete search history.

- (56) **References Cited**
U.S. PATENT DOCUMENTS
- D417,659 S * 12/1999 Takemasa D14/374
- D424,068 S * 5/2000 Takemasa D14/374
- D483,020 S * 12/2003 Nagao et al. D14/126
- D500,991 S * 1/2005 Niitsu D14/126
- D533,149 S * 12/2006 Inoue D14/126
- D534,881 S * 1/2007 Ju et al. D14/126
- D537,799 S * 3/2007 Inoue D14/126

D538,241 S *	3/2007	Lee et al.	D14/126
D549,674 S *	8/2007	Lee et al.	D14/126
D564,987 S *	3/2008	Shimizu et al.	D14/126
D576,975 S *	9/2008	Oh et al.	D14/126

* cited by examiner
Primary Examiner—Raphael Barkai
(74) *Attorney, Agent, or Firm*—Birch, Stewart, Kolasch & Birch, LLP

(57) **CLAIM**

The ornamental design for a television monitor, as shown and described.

DESCRIPTION

FIG. 1 is a perspective view of a television monitor showing our new design;

FIG. 2 is a front view thereof;

FIG. 3 is a rear view thereof;

FIG. 4 is a left side view thereof;

FIG. 5 is a right side view thereof;

FIG. 6 is a top plan view thereof;

FIG. 7 is a bottom plan view thereof;

FIG. 8 is a perspective view thereof showing the state in which the television monitor has been installed to a wall after the stand part has been detached;

FIG. 9 is a bottom view thereof with the base removed for ease of illustration; and,

FIG. 10 is an enlarged view of a part of the right part of the television monitor's main body.

The broken lines showing the wall in FIG. 8 are for illustrative purposes only, and form no part of the claimed design.

1 Claim, 9 Drawing Sheets

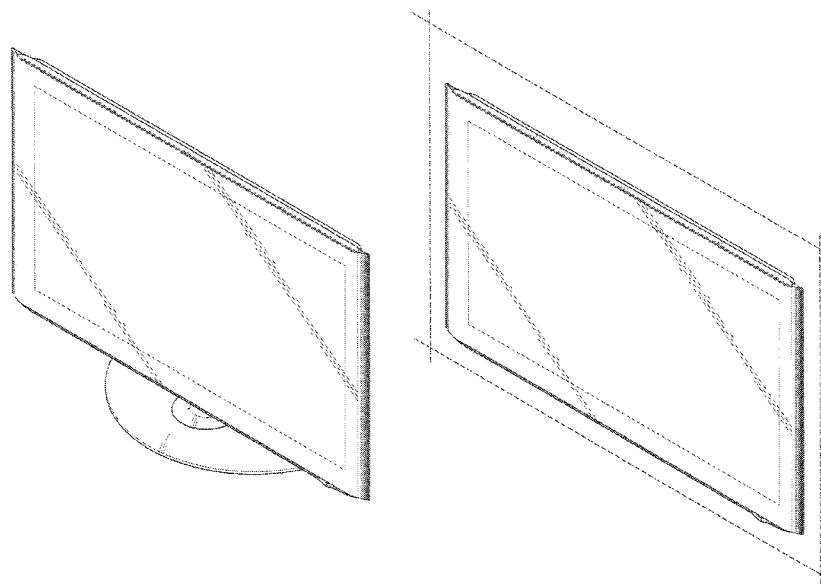


FIG. 1

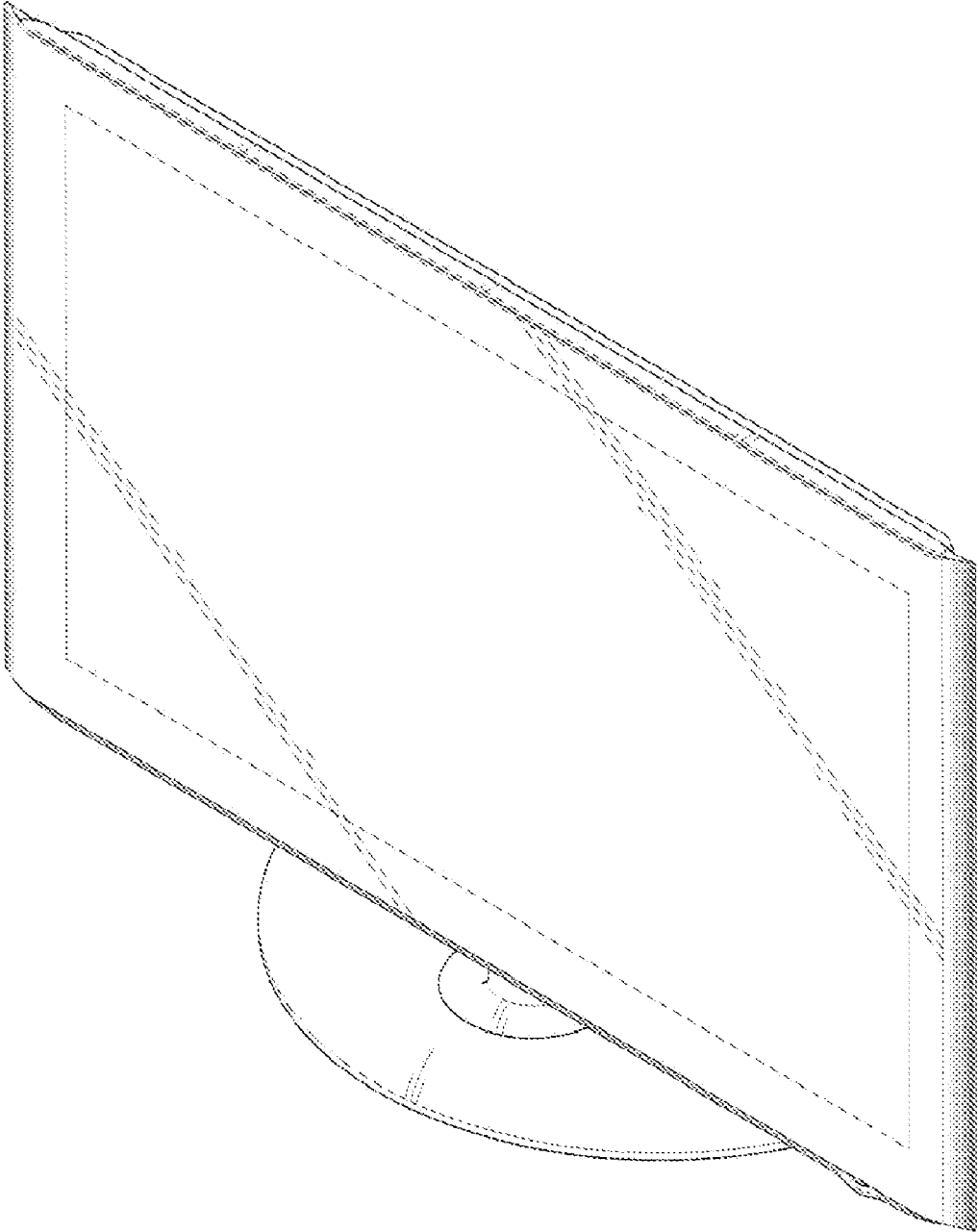


FIG. 2

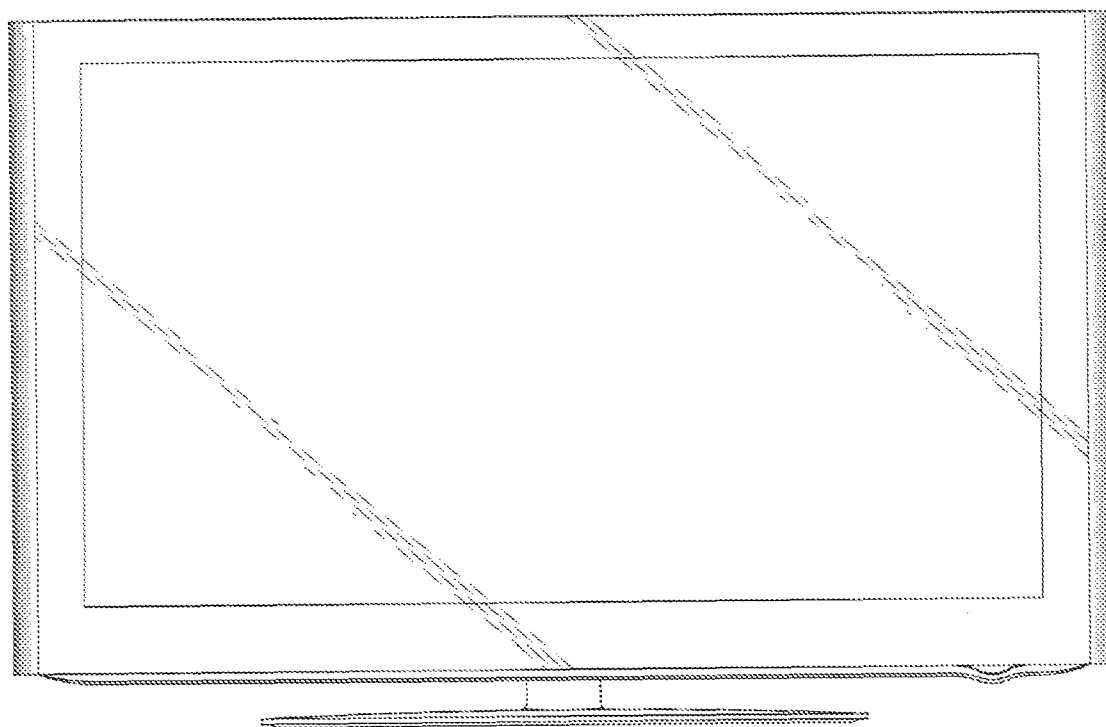


FIG. 3

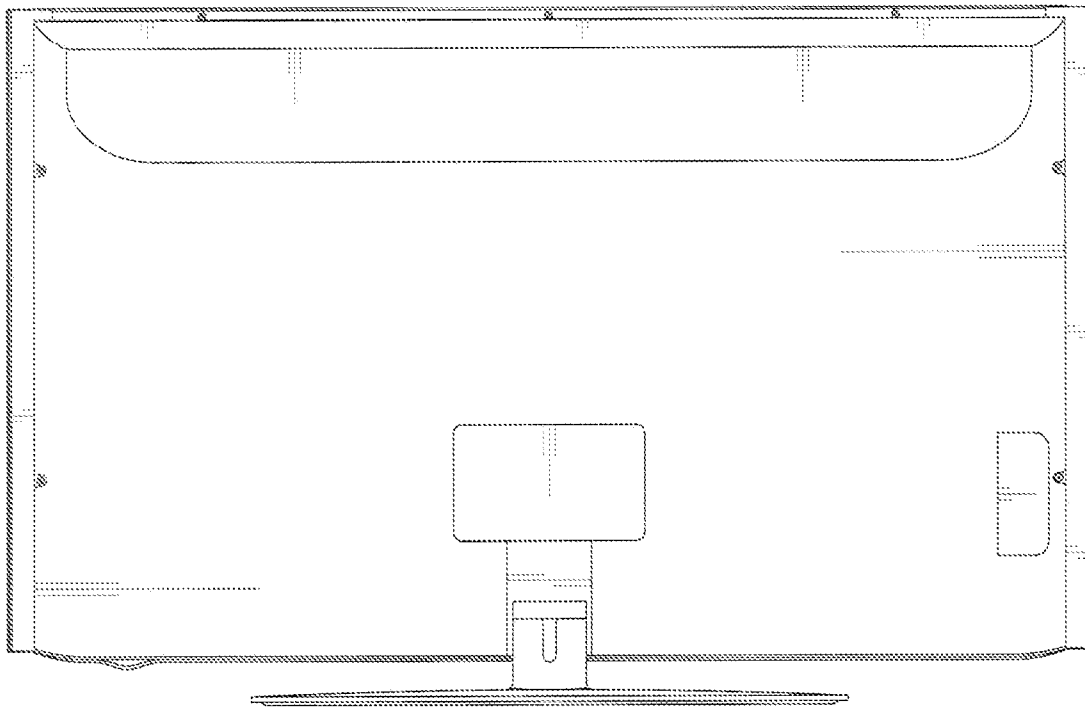


FIG. 4

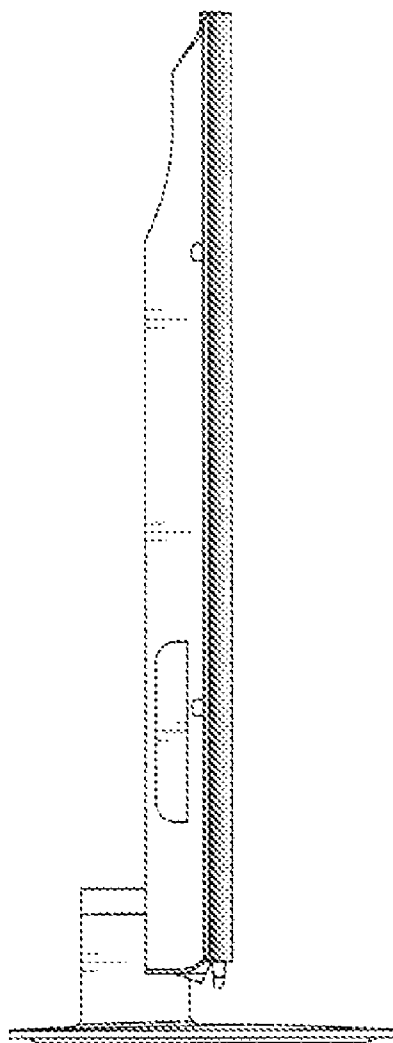


FIG. 5

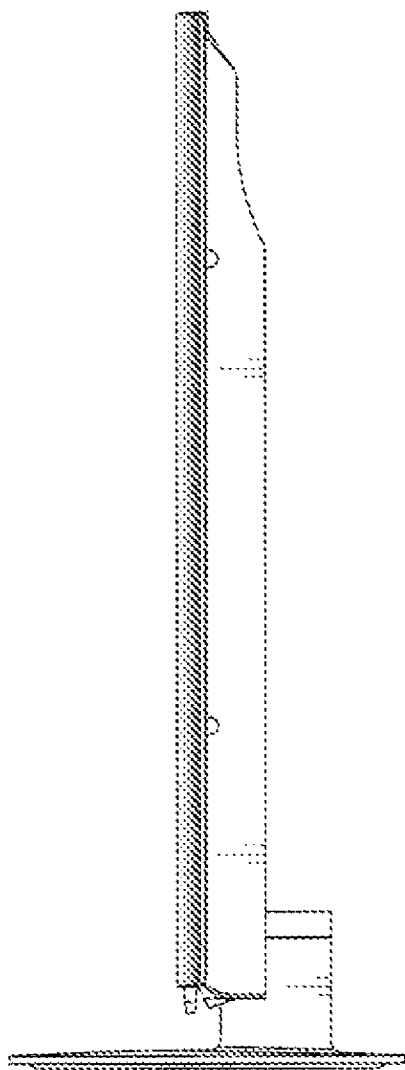


FIG. 6

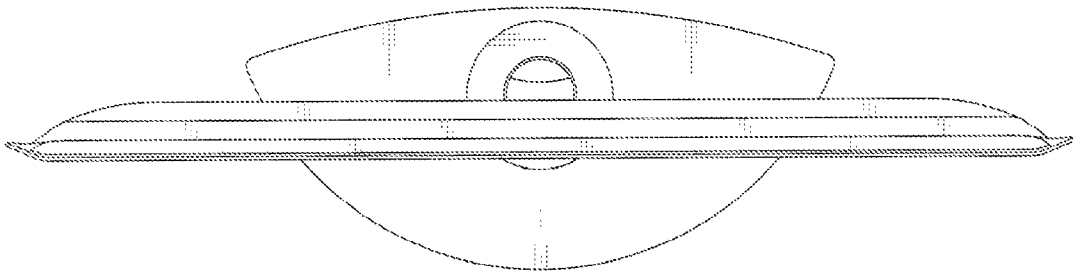


FIG. 7

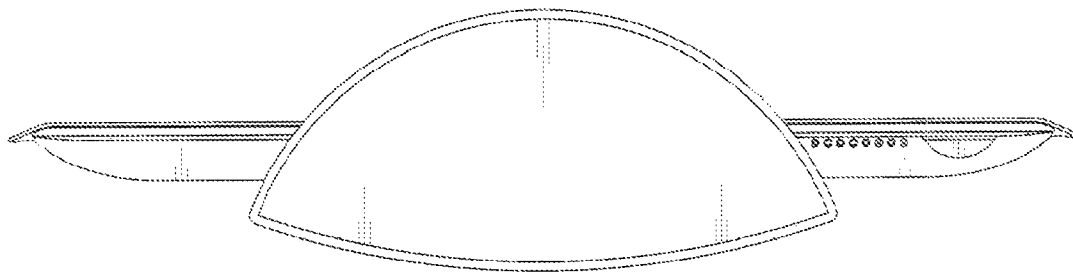


FIG. 8

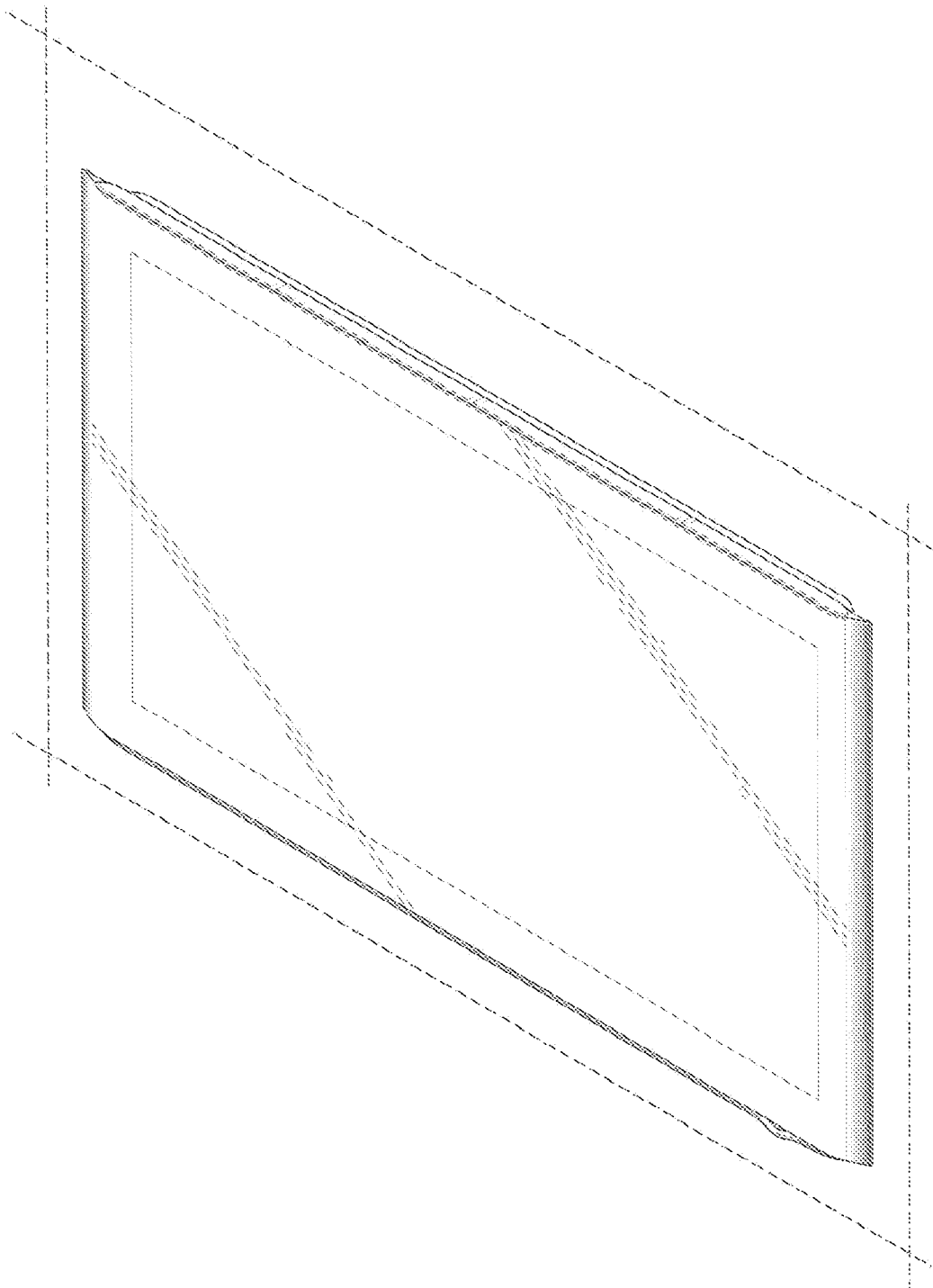


FIG. 9

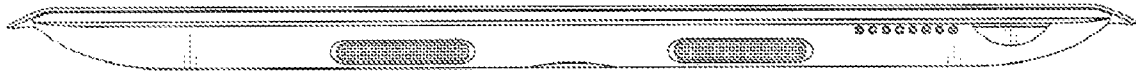


FIG. 10

