

(19) World Intellectual Property Organization  
International Bureau



(43) International Publication Date  
4 May 2006 (04.05.2006)

PCT

(10) International Publication Number  
**WO 2006/047644 A3**

- (51) International Patent Classification:  
*E04B 2/74* (2006.01)
- (21) International Application Number:  
PCT/US2005/038674
- (22) International Filing Date: 25 October 2005 (25.10.2005)
- (25) Filing Language: English
- (26) Publication Language: English
- (30) Priority Data:  
60/622,286 25 October 2004 (25.10.2004) US
- (71) Applicant (for all designated States except US): **COMPOSITE SUPPORT & SOLUTIONS, INC.** [US/US];  
32526 Seahill Drive, Rancho Palos Verdes, CA 90275 (US).
- (72) Inventor; and
- (75) Inventor/Applicant (for US only): **HIEL, Clement** [US/US]; 32526 Sealhill Drive, Rancho Palos Verdes, CA 90275 (US).
- (74) Agent: **PALMER, Russell, R., Jr.**; Christie, Parker & Hale, LLP, P.O. Box 7068, Pasadena, CA 91109-7068 (US).
- (81) Designated States (unless otherwise indicated, for every kind of national protection available): AE, AG, AL, AM,

AT, AU, AZ, BA, BB, BG, BR, BW, BY, BZ, CA, CH, CN, CO, CR, CU, CZ, DE, DK, DM, DZ, EC, EE, EG, ES, FI, GB, GD, GE, GH, GM, HR, HU, ID, IL, IN, IS, JP, KE, KG, KM, KP, KR, KZ, LC, LK, LR, LS, LT, LU, LV, LY, MA, MD, MG, MK, MN, MW, MX, MY, MZ, NA, NG, NI, NO, NZ, OM, PG, PH, PL, PT, RO, RU, SC, SD, SE, SG, SK, SL, SM, SY, TJ, TM, TN, TR, TT, TZ, UA, UG, US, UZ, VC, VN, YU, ZA, ZM, ZW.

(84) Designated States (unless otherwise indicated, for every kind of regional protection available): ARIPO (BW, GH, GM, KE, LS, MW, MZ, NA, SD, SL, SZ, TZ, UG, ZM, ZW), Eurasian (AM, AZ, BY, KG, KZ, MD, RU, TJ, TM), European (AT, BE, BG, CH, CY, CZ, DE, DK, EE, ES, FI, FR, GB, GR, HU, IE, IS, IT, LT, LU, LV, MC, NL, PL, PT, RO, SE, SI, SK, TR), OAPI (BF, BJ, CF, CG, CI, CM, GA, GN, GQ, GW, ML, MR, NE, SN, TD, TG).

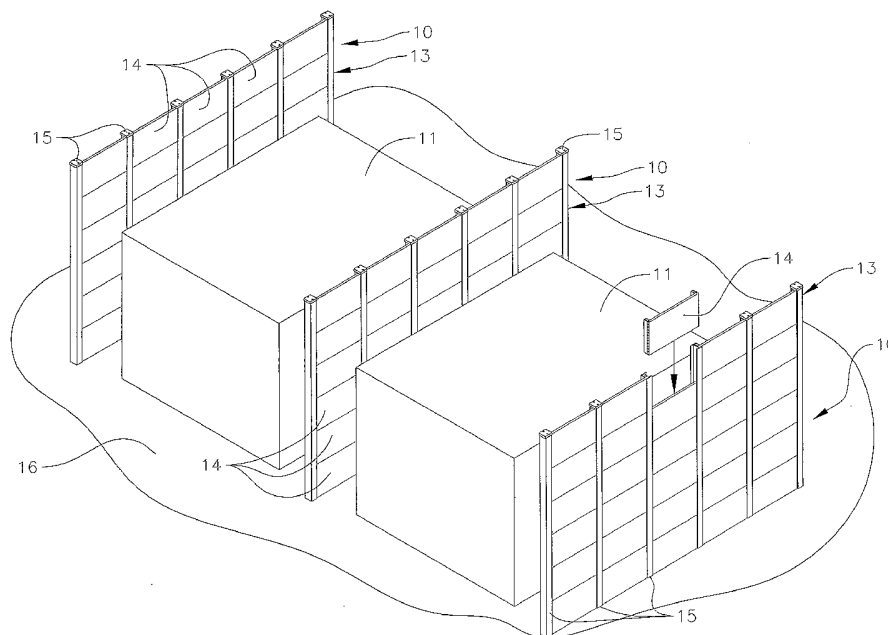
**Published:**

- with international search report
- before the expiration of the time limit for amending the claims and to be republished in the event of receipt of amendments

(88) Date of publication of the international search report:  
3 August 2006

[Continued on next page]

(54) Title: FIRE-PROTECTION WALLS OF CEMENTITIOUS COMPOSITE MATERIALS



(57) Abstract: A highly protective firewall (13) supported between upstanding columns or beams (15). The firewall is made of an inorganic cementitious material which is preferably inorganic phosphate cement. In one form, the firewall comprises a group of vertically stacked panels (14) made of such material, and the panels are in turn formed by a plurality of elongated and vertically stacked hollow members (21) of the same material.

WO 2006/047644 A3



---

*For two-letter codes and other abbreviations, refer to the "Guidance Notes on Codes and Abbreviations" appearing at the beginning of each regular issue of the PCT Gazette.*

INTERNATIONAL SEARCH REPORT

International application No.

PCT/US05/38674

<p>A. CLASSIFICATION OF SUBJECT MATTER                  IPC(8) - E04B 002/74 (2006.01)                  USPC - 052/320                  According to International Patent Classification (IPC) or to both national classification and IPC</p>																																			
<p>B. FIELDS SEARCHED</p> <p>Minimum documentation searched (classification system followed by classification symbols)                  IPC(8) - E04B 002/14, /18, /72, /74, /76, /82; E04C 002/04, /40 (2006.01)                  USPC - 052/71, 79.14, 220.7, 245, 252, 318, 319, 320, 332</p> <p>Documentation searched other than minimum documentation to the extent that such documents are included in the fields searched</p> <p>Electronic data base consulted during the international search (name of data base and, where practicable, search terms used)                  USPTO EAST System (US, USPG-PUB, OCR, EPO, JPO), MicroPatent, DialogPro</p>																																			
<p>C. DOCUMENTS CONSIDERED TO BE RELEVANT</p> <table border="1"> <thead> <tr> <th>Category*</th> <th>Citation of document, with indication, where appropriate, of the relevant passages</th> <th>Relevant to claim No.</th> </tr> </thead> <tbody> <tr> <td>X</td> <td>US 6,629,392 B1 (HARREL) 07 October 2003 (07.10.2003)</td> <td>1</td> </tr> <tr> <td>--</td> <td></td> <td>--</td> </tr> <tr> <td>Y</td> <td></td> <td>2</td> </tr> <tr> <td>Y</td> <td>JP 02180737 A (TAKAGI) 13 July 1990 (13.07.1990)</td> <td>1-6</td> </tr> <tr> <td>Y</td> <td>US 4,578,913 A (EICH) 01 April 1986 (01.04.1986)</td> <td>1-6</td> </tr> <tr> <td>A</td> <td>EP 0191823 B1 (ELLIS) 27 February 1991 (27.02.1991)</td> <td>1-8</td> </tr> <tr> <td>A</td> <td>US 6,421,968 B1 (Degelsegger) 23 July 2002 (23.07.2002)</td> <td>1-8</td> </tr> <tr> <td>A</td> <td>US 6,855,393 B1 (Ayres) 15 May 2005 (15.02.2005)</td> <td>1-8</td> </tr> <tr> <td>A</td> <td>US 5,845,443 A (Wirkus) 08 December 1998 (08.12.1998)</td> <td>1-8</td> </tr> <tr> <td>A</td> <td>US 5,822,935 A (Mitchell) 20 October 1998 (20.10.1998)</td> <td>1-8</td> </tr> </tbody> </table>			Category*	Citation of document, with indication, where appropriate, of the relevant passages	Relevant to claim No.	X	US 6,629,392 B1 (HARREL) 07 October 2003 (07.10.2003)	1	--		--	Y		2	Y	JP 02180737 A (TAKAGI) 13 July 1990 (13.07.1990)	1-6	Y	US 4,578,913 A (EICH) 01 April 1986 (01.04.1986)	1-6	A	EP 0191823 B1 (ELLIS) 27 February 1991 (27.02.1991)	1-8	A	US 6,421,968 B1 (Degelsegger) 23 July 2002 (23.07.2002)	1-8	A	US 6,855,393 B1 (Ayres) 15 May 2005 (15.02.2005)	1-8	A	US 5,845,443 A (Wirkus) 08 December 1998 (08.12.1998)	1-8	A	US 5,822,935 A (Mitchell) 20 October 1998 (20.10.1998)	1-8
Category*	Citation of document, with indication, where appropriate, of the relevant passages	Relevant to claim No.																																	
X	US 6,629,392 B1 (HARREL) 07 October 2003 (07.10.2003)	1																																	
--		--																																	
Y		2																																	
Y	JP 02180737 A (TAKAGI) 13 July 1990 (13.07.1990)	1-6																																	
Y	US 4,578,913 A (EICH) 01 April 1986 (01.04.1986)	1-6																																	
A	EP 0191823 B1 (ELLIS) 27 February 1991 (27.02.1991)	1-8																																	
A	US 6,421,968 B1 (Degelsegger) 23 July 2002 (23.07.2002)	1-8																																	
A	US 6,855,393 B1 (Ayres) 15 May 2005 (15.02.2005)	1-8																																	
A	US 5,845,443 A (Wirkus) 08 December 1998 (08.12.1998)	1-8																																	
A	US 5,822,935 A (Mitchell) 20 October 1998 (20.10.1998)	1-8																																	
<p><input type="checkbox"/> Further documents are listed in the continuation of Box C.      <input type="checkbox"/> See patent family annex.</p>																																			
<p>* Special categories of cited documents:</p> <table border="0"> <tr> <td> <p>"A" document defining the general state of the art which is not considered to be of particular relevance</p> <p>"E" earlier application or patent but published on or after the international filing date</p> <p>"L" document which may throw doubts on priority claim(s) or which is cited to establish the publication date of another citation or other special reason (as specified)</p> <p>"O" document referring to an oral disclosure, use, exhibition or other means</p> <p>"P" document published prior to the international filing date but later than the priority date claimed</p> </td> <td> <p>"T" later document published after the international filing date or priority date and not in conflict with the application but cited to understand the principle or theory underlying the invention</p> <p>"X" document of particular relevance; the claimed invention cannot be considered novel or cannot be considered to involve an inventive step when the document is taken alone</p> <p>"Y" document of particular relevance; the claimed invention cannot be considered to involve an inventive step when the document is combined with one or more other such documents, such combination being obvious to a person skilled in the art</p> <p>"&amp;" document member of the same patent family</p> </td> </tr> </table>			<p>"A" document defining the general state of the art which is not considered to be of particular relevance</p> <p>"E" earlier application or patent but published on or after the international filing date</p> <p>"L" document which may throw doubts on priority claim(s) or which is cited to establish the publication date of another citation or other special reason (as specified)</p> <p>"O" document referring to an oral disclosure, use, exhibition or other means</p> <p>"P" document published prior to the international filing date but later than the priority date claimed</p>	<p>"T" later document published after the international filing date or priority date and not in conflict with the application but cited to understand the principle or theory underlying the invention</p> <p>"X" document of particular relevance; the claimed invention cannot be considered novel or cannot be considered to involve an inventive step when the document is taken alone</p> <p>"Y" document of particular relevance; the claimed invention cannot be considered to involve an inventive step when the document is combined with one or more other such documents, such combination being obvious to a person skilled in the art</p> <p>"&amp;" document member of the same patent family</p>																															
<p>"A" document defining the general state of the art which is not considered to be of particular relevance</p> <p>"E" earlier application or patent but published on or after the international filing date</p> <p>"L" document which may throw doubts on priority claim(s) or which is cited to establish the publication date of another citation or other special reason (as specified)</p> <p>"O" document referring to an oral disclosure, use, exhibition or other means</p> <p>"P" document published prior to the international filing date but later than the priority date claimed</p>	<p>"T" later document published after the international filing date or priority date and not in conflict with the application but cited to understand the principle or theory underlying the invention</p> <p>"X" document of particular relevance; the claimed invention cannot be considered novel or cannot be considered to involve an inventive step when the document is taken alone</p> <p>"Y" document of particular relevance; the claimed invention cannot be considered to involve an inventive step when the document is combined with one or more other such documents, such combination being obvious to a person skilled in the art</p> <p>"&amp;" document member of the same patent family</p>																																		
<p>Date of the actual completion of the international search</p> <p>17 April 2006</p>		<p>Date of mailing of the international search report</p> <p>05 JUN 2006</p>																																	
<p>Name and mailing address of the ISA/US</p> <p>Mail Stop PCT, Attn: ISA/US, Commissioner for Patents                  P.O. Box 1450, Alexandria, Virginia 22313-1450                  Facsimile No. 571-273-3201</p>		<p>Authorized officer:</p> <p>Blaine R. Copenheaver <i>[Signature]</i>                  Telephone No. 571-272-7774</p>																																	