



US00D919073S

(12) **United States Design Patent**
Lee

(10) **Patent No.:** **US D919,073 S**

(45) **Date of Patent:** **** May 11, 2021**

- (54) **AROMA DIFFUSER**
- (71) Applicant: **Bloomy Lotus Ltd**, Hong Kong (HK)
- (72) Inventor: **Leander Lee**, Hong Kong (HK)
- (73) Assignee: **Bloomy Lotus Ltd**, Hong Kong (HK)
- (**) Term: **15 Years**
- (21) Appl. No.: **29/715,489**
- (22) Filed: **Dec. 2, 2019**
- (30) **Foreign Application Priority Data**

Jun. 5, 2019 (HK) 1913827.0M001

- (51) **LOC (13) Cl.** **28-99**
- (52) **U.S. Cl.**
USPC **D23/366**
- (58) **Field of Classification Search**
USPC D23/209, 355, 356, 358, 359, 360, 364,
D23/365, 366, 367; D99/5
CPC . A61L 9/03; A61L 9/012; A61L 9/015; A61L
9/037; F41J 1/01
See application file for complete search history.

(56) **References Cited**

U.S. PATENT DOCUMENTS

- D401,141 S * 11/1998 Carroll D9/608
- D691,253 S * 10/2013 Chen D23/366
- D705,075 S * 5/2014 Zwettler D9/601
- D722,805 S * 2/2015 Banos D7/301
- D726,975 S * 4/2015 Kim D30/160
- 9,301,504 B2 * 4/2016 Wurth A01K 15/026
- D766,569 S * 9/2016 Lee D3/211
- D774,797 S * 12/2016 Li D6/534
- D777,513 S * 1/2017 Nguyen D7/400
- D800,886 S * 10/2017 Lin D23/366
- D802,061 S * 11/2017 Kuwahara D21/656

- D849,534 S * 5/2019 Westrick D9/441
- D858,200 S * 9/2019 Wang D7/516
- D870,070 S * 12/2019 Koh D14/207
- D870,071 S * 12/2019 Koh D14/207
- D872,247 S * 1/2020 Lee D23/366
- D893,008 S * 8/2020 Xu D23/356

OTHER PUBLICATIONS

Bloomy Lotus Jungle Fun Diffuser Collection [Dec. 21, 2020]
found online [Dec. 21, 2020] - <https://bloomylotus.com/junglefun-diffusers/>.*

* cited by examiner

Primary Examiner — John A Voytek

(57) **CLAIM**

The ornamental design for an aroma diffuser, as shown and described.

DESCRIPTION

FIG. 1 is a front elevational view of an aroma diffuser showing my new design;
 FIG. 2 is a rear elevational view thereof;
 FIG. 3 is a left side view thereof;
 FIG. 4 is a right side view thereof;
 FIG. 5 is a top plan view thereof;
 FIG. 6 is a bottom plan view thereof;
 FIG. 7 is a top, front and right side perspective view thereof;
 and,
 FIG. 8 is a bottom, rear and left side perspective view thereof.
 The broken lines in the drawings illustrate portions of the aroma diffuser which form no part of the claimed design.

1 Claim, 8 Drawing Sheets



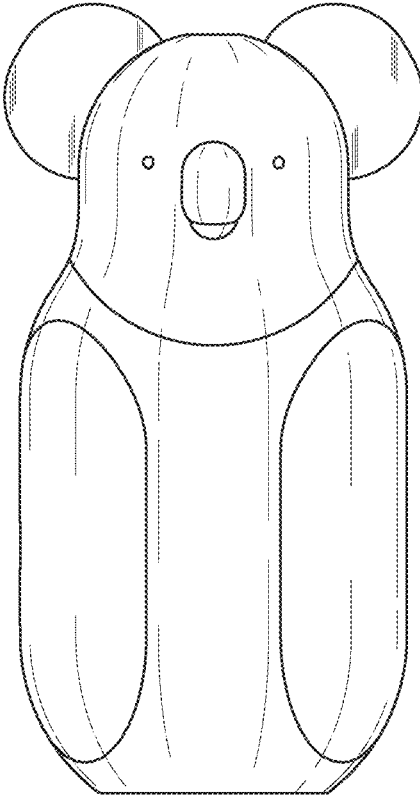


Fig. 1

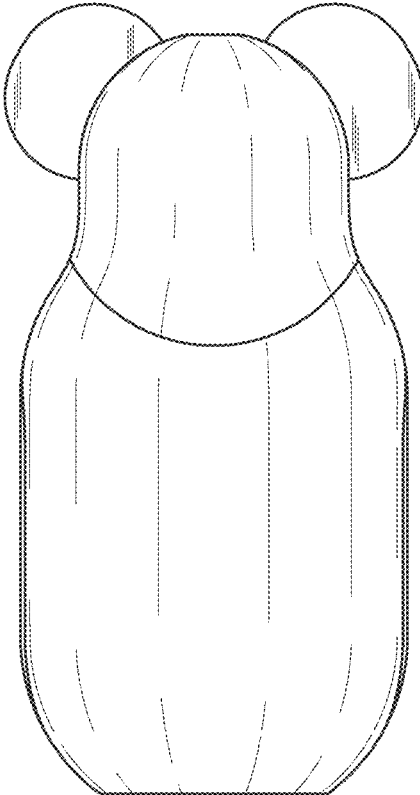


Fig. 2

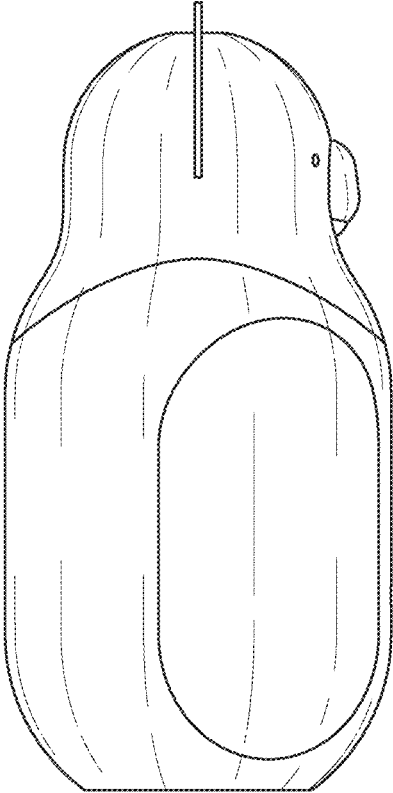


Fig. 3

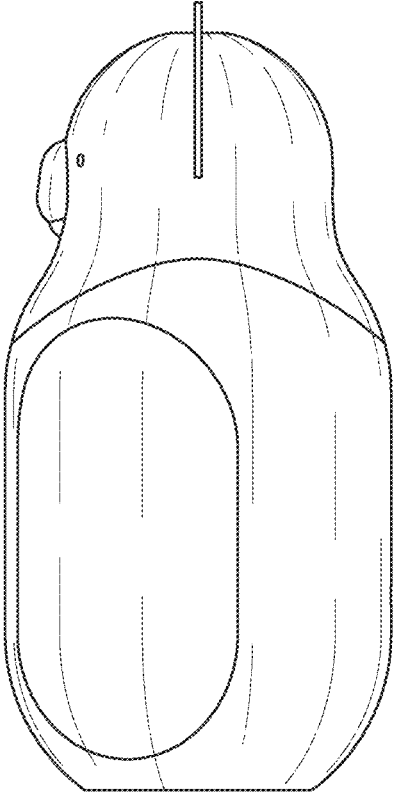


Fig. 4

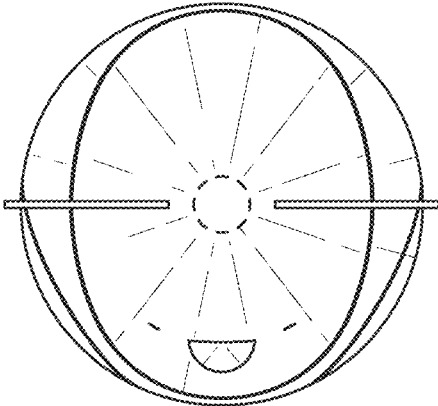


Fig. 5

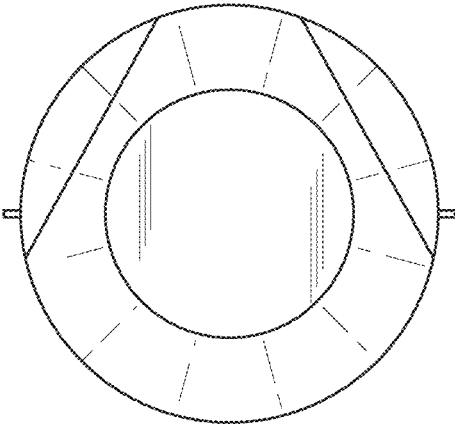


Fig. 6

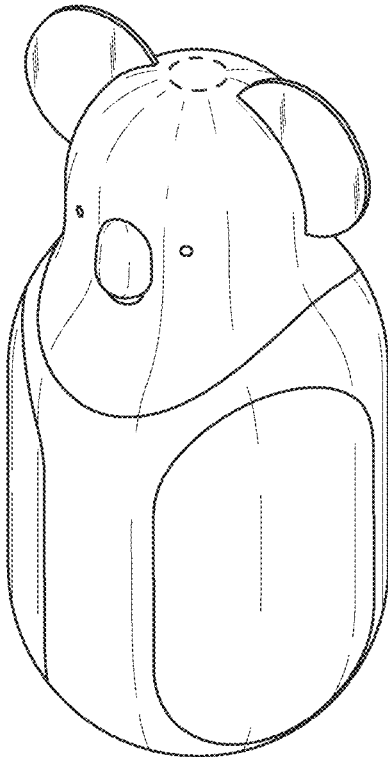


Fig. 7

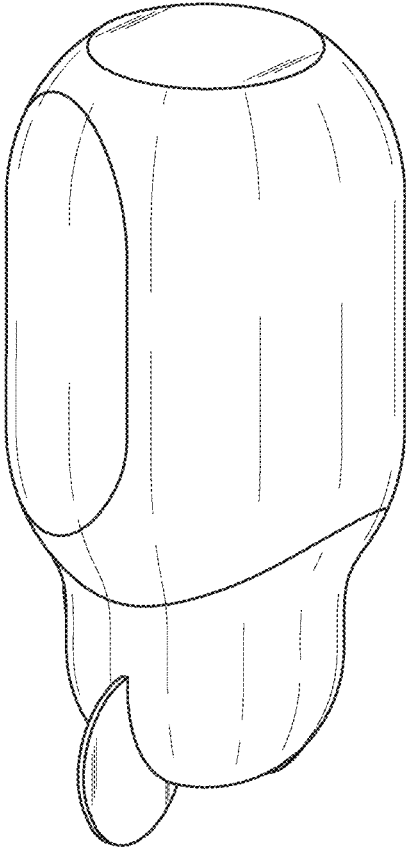


Fig. 8