



US00D416863S

United States Patent [19]

[11] Patent Number: **Des. 416,863**

Sato et al.

[45] Date of Patent: **** Nov. 23, 1999**

[54] **ELECTRIC CONNECTOR**

D. 375,293 11/1996 Suzuki D13/147
D. 408,788 4/1999 Homma D13/147

[75] Inventors: **Kiyoshi Sato; Akiko Makita**, both of Tokyo, Japan

Primary Examiner—Joel Sincavage
Attorney, Agent, or Firm—Nikaido, Marmelstein, Murray & Oram LLP

[73] Assignee: **Honda Tsushin Kogyo Co., Ltd.**, Tokyo, Japan

[**] Term: **14 Years**

[57] CLAIM

[21] Appl. No.: **29/098,420**

The ornamental design for electric connector, as shown and described.

[22] Filed: **Dec. 23, 1998**

DESCRIPTION

[30] Foreign Application Priority Data

Sep. 17, 1998 [JP] Japan 10-26476

FIG. 1 is a perspective view of the electric connector showing my new design;

[51] **LOC (6) Cl.** **13-03**

FIG. 2 is a front elevational view thereof;

[52] **U.S. Cl.** **D13/147**

FIG. 3 is a right side elevational view thereof;

[58] **Field of Search** D13/147; 439/59, 439/61, 62, 76.1, 79, 83, 607, 630, 632, 634, 636, 637, 660

FIG. 4 is a top plan view thereof;

FIG. 5 is a bottom plan view thereof; and,

FIG. 6 is a rear elevational view thereof.

[56] References Cited

U.S. PATENT DOCUMENTS

D. 351,136 10/1994 Kurata D13/147

1 Claim, 1 Drawing Sheet

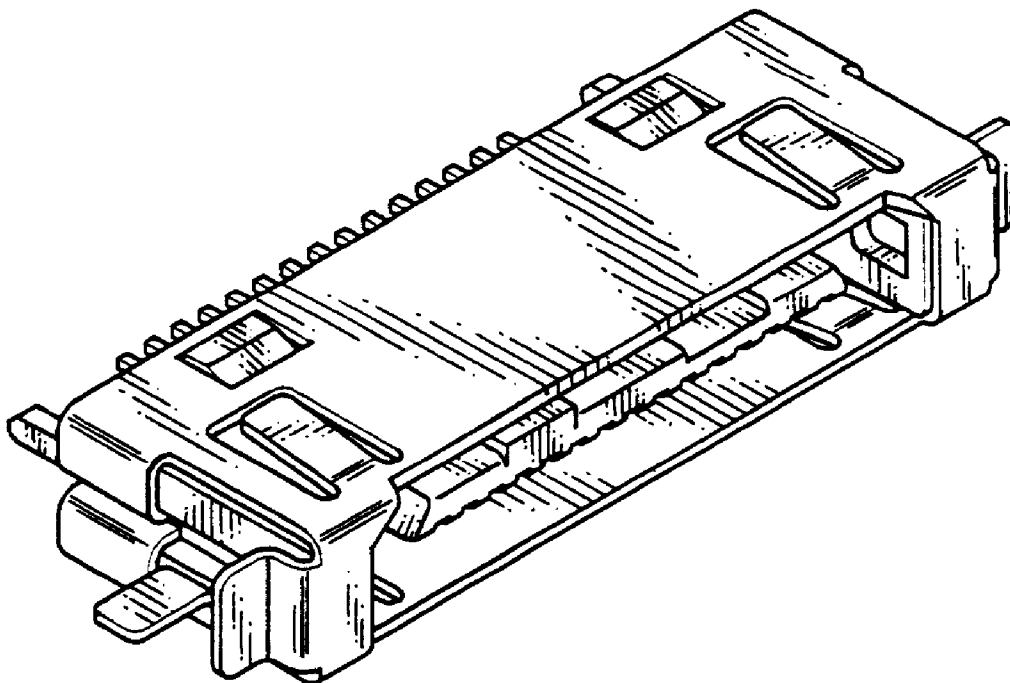


FIG. 1

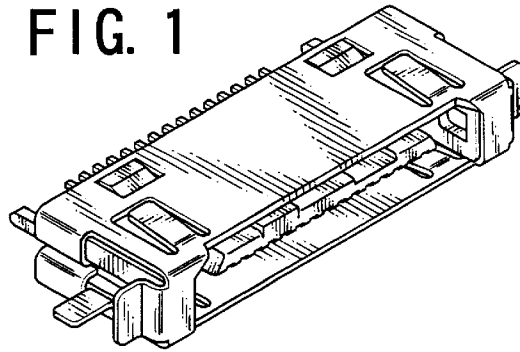


FIG. 2



FIG. 3

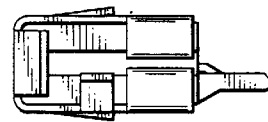


FIG. 4

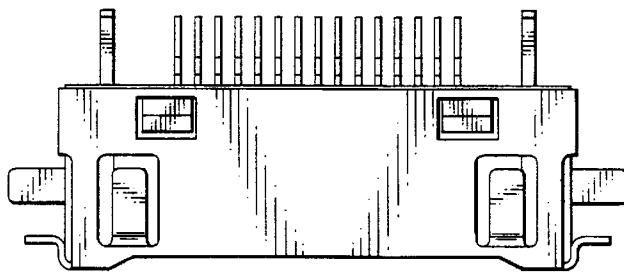


FIG. 5

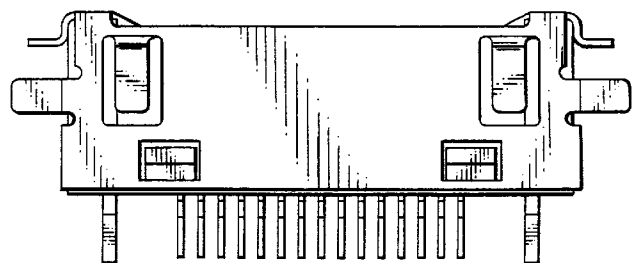


FIG. 6

