

(19) World Intellectual Property Organization
International Bureau



(43) International Publication Date
1 March 2007 (01.03.2007)

PCT

(10) International Publication Number
WO 2007/025170 A3

(51) International Patent Classification:
F16J 3/00 (2006.01)

(21) International Application Number:
PCT/US2006/033287

(22) International Filing Date: 25 August 2006 (25.08.2006)

(25) Filing Language: English

(26) Publication Language: English

(30) Priority Data:
60/711,366 25 August 2005 (25.08.2005) US

(71) Applicant (for all designated States except US): **FEDERAL-MOGUL CORPORATION** [US/US]; 26555 Northwestern Highway, Southfield, MI 48034 (US).

(72) Inventors; and

(75) Inventors/Applicants (for US only): **ELTERMAN, James** [US/US]; 12538 Lusher Road, St. Louis, MO 63138 (US). **KARPMAN, Alexander** [US/US]; 5110 Rolling Green Lane, Ballwin, MO 63011 (US). **DOHERTY, Donald** [US/US]; 1036 Pegasus Circle, St.

Peters, MO 63376 (US). **BYRNES, Thomas** [US/US]; 2729 Sunny Meadows Drive, St. Charles, MO 63303 (US).

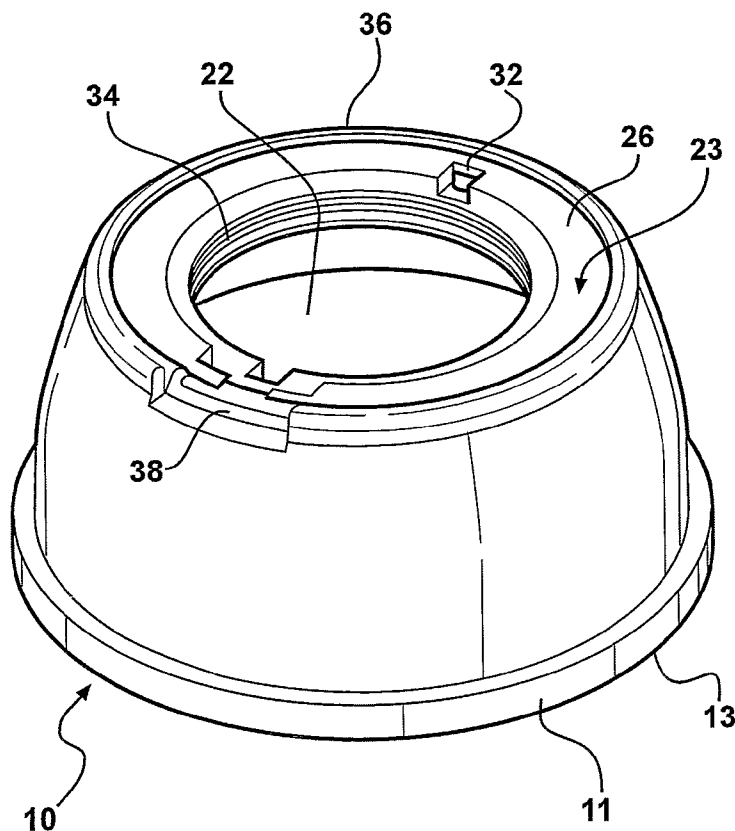
(74) Agents: **ANDERSON, Edmund, P.** et al.; Dickinson Wright PLLC, 38525 Woodward Avenue, Suite 2000, Bloomfield Hills, MI 48304-5092 (US).

(81) Designated States (unless otherwise indicated, for every kind of national protection available): AE, AG, AL, AM, AT, AU, AZ, BA, BB, BG, BR, BW, BY, BZ, CA, CH, CN, CO, CR, CU, CZ, DE, DK, DM, DZ, EC, EE, EG, ES, FI, GB, GD, GE, GH, GM, HN, HR, HU, ID, IL, IN, IS, JP, KE, KG, KM, KN, KP, KR, KZ, LA, LC, LK, LR, LS, LT, LU, LV, LY, MA, MD, MG, MK, MN, MW, MX, MY, MZ, NA, NG, NI, NO, NZ, OM, PG, PH, PL, PT, RO, RS, RU, SC, SD, SE, SG, SK, SL, SM, SV, SY, TJ, TM, TN, TR, TT, TZ, UA, UG, US, UZ, VC, VN, ZA, ZM, ZW.

(84) Designated States (unless otherwise indicated, for every kind of regional protection available): ARIPO (BW, GH, GM, KE, LS, MW, MZ, NA, SD, SL, SZ, TZ, UG, ZM, ZW), Eurasian (AM, AZ, BY, KG, KZ, MD, RU, TJ, TM), European (AT, BE, BG, CH, CY, CZ, DE, DK, EE, ES, FI,

[Continued on next page]

(54) Title: DUST BOOT WITH GREASE CHANNEL



(57) Abstract: A dust boot with enhanced protection from contaminants and improved lubrication characteristic includes a dust boot body having a housing opening on one end and on an opposing end a stud opening in an upper boot wall. The boot also includes a wiping lip located on an inner face of the upper boot wall in the stud opening, a grease channel on an outer surface of the upper boot wall bounded circumferentially by a rim seal, an offset opening hole through the upper boot wall into the grease channel which is offset from the wiping lip, and a flexible flap portion of said rim seal which is spaced away from said offset opening hole. The dust boot may also include an insert made from a plastic such as nylon housed in the upper boot wall such that the offset opening hole extends through the insert.

WO 2007/025170 A3



FR, GB, GR, HU, IE, IS, IT, LT, LU, LV, MC, NL, PL, PT, RO, SE, SI, SK, TR), OAPI (BF, BJ, CF, CG, CI, CM, GA, GN, GQ, GW, ML, MR, NE, SN, TD, TG).

For two-letter codes and other abbreviations, refer to the "Guidance Notes on Codes and Abbreviations" appearing at the beginning of each regular issue of the PCT Gazette.

Published:

- *with international search report*
- *before the expiration of the time limit for amending the claims and to be republished in the event of receipt of amendments*

(88) Date of publication of the international search report:

7 September 2007

INTERNATIONAL SEARCH REPORT

International application No.

PCT/US06/33287

A. CLASSIFICATION OF SUBJECT MATTER

IPC(8) - F16J 03/00 (2007.01)

USPC - 403/50

According to International Patent Classification (IPC) or to both national classification and IPC

B. FIELDS SEARCHED

Minimum documentation searched (classification system followed by classification symbols)

IPC(8) - F16J 03/00 (2007.01)

USPC - 403/50

Documentation searched other than minimum documentation to the extent that such documents are included in the fields searched

Electronic data base consulted during the international search (name of data base and, where practicable, search terms used)

MicroPatent, IP.com, DialogPro

C. DOCUMENTS CONSIDERED TO BE RELEVANT

Category*	Citation of document, with indication, where appropriate, of the relevant passages	Relevant to claim No.
Y	US 3,279,834 A (BUDZYNSKI) 18 October 1966 (18.10.1966) entire document	1-16
Y	US 3,248,955 A (TEMPLETON) 03 May 1966 (03.05.1966) entire document	1-16
Y	US 5,466,084 A (BRUEGGEN et al) 14 November 1995 (14.11.1995) entire document	5,13

 Further documents are listed in the continuation of Box C.

* Special categories of cited documents:

"A" document defining the general state of the art which is not considered to be of particular relevance

"E" earlier application or patent but published on or after the international filing date

"L" document which may throw doubts on priority claim(s) or which is cited to establish the publication date of another citation or other special reason (as specified)

"O" document referring to an oral disclosure, use, exhibition or other means

"P" document published prior to the international filing date but later than the priority date claimed

"T" later document published after the international filing date or priority date and not in conflict with the application but cited to understand the principle or theory underlying the invention

"X" document of particular relevance; the claimed invention cannot be considered novel or cannot be considered to involve an inventive step when the document is taken alone

"Y" document of particular relevance; the claimed invention cannot be considered to involve an inventive step when the document is combined with one or more other such documents, such combination being obvious to a person skilled in the art

"&" document member of the same patent family

Date of the actual completion of the international search

18 May 2007

Date of mailing of the international search report

12 JUL 2007¹

Name and mailing address of the ISA/US

Mail Stop PCT, Attn: ISA/US, Commissioner for Patents

P.O. Box 1450, Alexandria, Virginia 22313-1450

Facsimile No. 571-273-3201

Authorized officer:

Blaine R. Copenheaver

PCT Helpdesk: 571-272-4300

PCT OSP: 571-272-7774