



US00D958324S

(12) **United States Design Patent**  
**Koller, III et al.**

(10) **Patent No.:** **US D958,324 S**  
(45) **Date of Patent:** **\*\* Jul. 19, 2022**

(54) **CLEAR FACE MASK**

FOREIGN PATENT DOCUMENTS

(71) Applicant: **KOLLER ENTERPRISES, INC.**,  
Fenton, MO (US)

CA 2969700 \* 1/2018 ..... A41D 13/11  
CN 306789109 \* 8/2021

(Continued)

(72) Inventors: **Alois Koller, III**, Chesterfield, MO  
(US); **Thomas Atteberry, III**, Fenton,  
MO (US); **Pat Mahon**, Chesterfield,  
MO (US); **John Schneider**, Wildwood,  
MO (US)

OTHER PUBLICATIONS

NPR Demand Surges (available [online] Jul. 28, 2020) Retrieved  
from the internet Feb. 3, 2022 from URL: <https://www.npr.org/sections/health-shots/2020/07/28/893071631/demand-surges-for-see-through-face-masks-as-pandemic-swells> (Year: 2020).\*

(Continued)

(73) Assignee: **KOLLER ENTERPRISES, INC.**,  
Fenton, MO (US)

(\*\*) Term: **15 Years**

*Primary Examiner* — Richard Kearney

*Assistant Examiner* — Michael Hoffman

(21) Appl. No.: **29/746,999**

(74) *Attorney, Agent, or Firm* — Stinson LLP

(22) Filed: **Aug. 19, 2020**

(51) **LOC (13) Cl.** ..... **29-02**

(52) **U.S. Cl.**

USPC ..... **D24/110.1**; D29/108

(58) **Field of Classification Search**

USPC ..... D24/110, 110.1–110.6; D29/108, 110;  
D16/312

CPC . A41D 13/11; A41D 13/1107; A41D 13/1115;  
A41D 13/1123; A41D 13/113; A41D  
13/1138; A41D 13/1146; A41D 13/1153;  
A41D 13/1161; A41D 13/1169; A41D  
13/1176; A61M 16/06; A62B 18/00;  
A62B 18/02; A62B 18/025; A62B 23/00

See application file for complete search history.

(57) **CLAIM**

The ornamental design for a clear face mask, as shown and  
described.

**DESCRIPTION**

FIG. 1 is a front perspective view of the clear face mask;  
FIG. 2 is a front elevational view of the clear face mask of  
FIG. 1;

FIG. 3 is a top plan view of the clear face mask of FIG. 1;  
FIG. 4 is a left side elevational view of the clear face mask  
of FIG. 1;

FIG. 5 is a rear elevational view of the clear face mask of  
FIG. 1;

FIG. 6 is a bottom plan view of the clear face mask of FIG.  
1; and,

FIG. 7 is a right side elevational view of the clear face mask  
of FIG. 1.

The broken lines shown represent unclaimed subject matter  
and form no part of the claimed design.

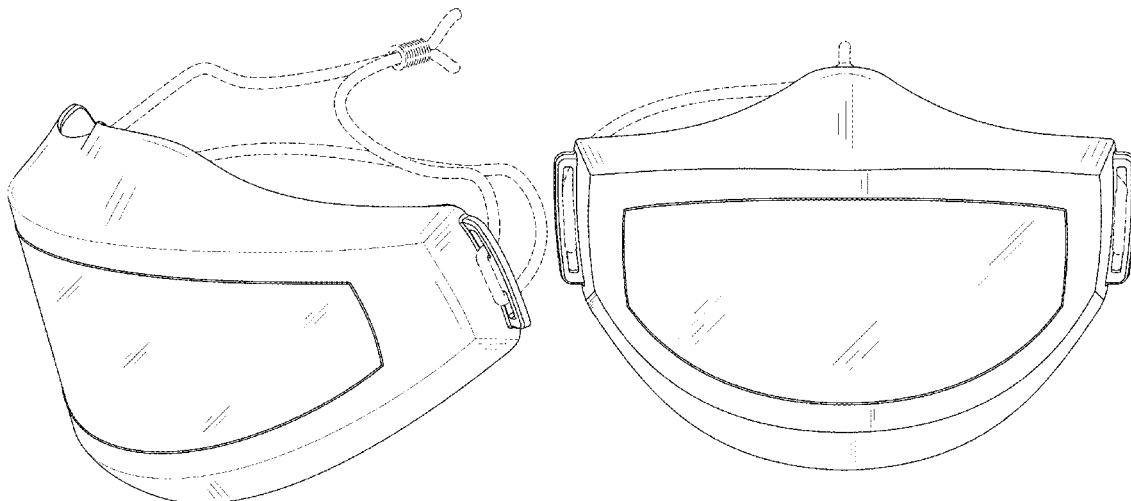
(56) **References Cited**

U.S. PATENT DOCUMENTS

2,281,181 A \* 4/1942 Clarke ..... A41D 13/1161  
128/206.13  
D140,814 S \* 4/1945 Eddy ..... D24/110.2  
4,323,063 A 4/1982 Fisicella  
4,920,960 A 5/1990 Hubbard et al.  
D309,962 S \* 8/1990 Ebeling ..... D24/110.1  
D327,696 S \* 7/1992 Bolle ..... D16/312

(Continued)

**1 Claim, 7 Drawing Sheets**



(56)

References Cited

U.S. PATENT DOCUMENTS

D349,587 S \* 8/1994 Woodward ..... D24/110.2  
 5,561,863 A 10/1996 Carlson  
 6,185,740 B1 2/2001 Zegarelli et al.  
 7,114,498 B1 10/2006 Nashed  
 7,753,051 B2 7/2010 Burrow et al.  
 7,802,572 B2 9/2010 Hahne  
 8,336,549 B2 12/2012 Nashed  
 8,826,905 B2 9/2014 Nashed  
 8,826,909 B2 9/2014 Nashed  
 9,010,330 B2 4/2015 Barlow et al.  
 9,643,048 B1 5/2017 Danford  
 9,737,678 B2 8/2017 Formica et al.  
 9,802,079 B1 10/2017 Danford  
 10,052,448 B2 8/2018 Barlow et al.  
 10,441,738 B2 10/2019 Formica et al.  
 10,449,317 B2 10/2019 Barlow et al.  
 10,456,545 B2 10/2019 Barlow et al.  
 10,537,696 B2 1/2020 Barlow et al.  
 10,537,755 B2 1/2020 Parham et al.  
 10,722,674 B2 7/2020 Nashed  
 D908,205 S \* 1/2021 Hwang ..... D24/110.1  
 11,129,424 B2 \* 9/2021 Nishida ..... G09F 9/301  
 11,206,880 B1 \* 12/2021 Naos ..... A41D 13/1138  
 2006/0174890 A1 \* 8/2006 Cheng ..... A41D 13/11  
 128/206.19  
 2015/0173436 A1 \* 6/2015 Tsuei ..... A41D 13/113  
 2/424  
 2015/0237931 A1 8/2015 Miller et al.  
 2016/0901101 1/2016 Sabolis et al.

2016/0029716 A1 \* 2/2016 Duncan ..... A41D 13/11  
 128/863  
 2017/0312468 A1 11/2017 Formica et al.  
 2018/0078798 A1 3/2018 Fabian et al.  
 2018/0318540 A1 11/2018 Barlow et al.  
 2019/0069615 A1 3/2019 Lam et al.  
 2020/0121005 A1 4/2020 Belousov et al.  
 2021/0368874 A1 \* 12/2021 Eldibany ..... A62B 23/025  
 2022/0016298 A1 \* 1/2022 Harder ..... A62B 18/025

FOREIGN PATENT DOCUMENTS

EM 008006274-0001 \* 6/2020  
 EP 3922119 \* 12/2021 ..... A41D 13/11  
 GB 6097665 \* 8/2020  
 KR 20210002823 \* 12/2021  
 WO WO 1996/10343 4/1996  
 WO WO 2014/189364 A1 11/2014

OTHER PUBLICATIONS

No Brand (available [online]) Retrieved from the internet Feb. 10, 2022 from URL: <https://www.msdirect.com/product/details/14868889> (Year: 2022).  
 Deluxemask (available [online]) Retrieved from the internet Feb. 3, 2022 from URL: <https://www.etsy.com/listing/970478940/transparent-clear-window-mask-anti-fog> (Year: 2022).  
 ClearMask (available [online]) Retrieved from the internet Feb. 10, 2022 from URL: <https://buy.theclearmask.com/products/clearmask-case-medical?variant=39589672386629> (Year: 2022).\*

\* cited by examiner

FIG. 1

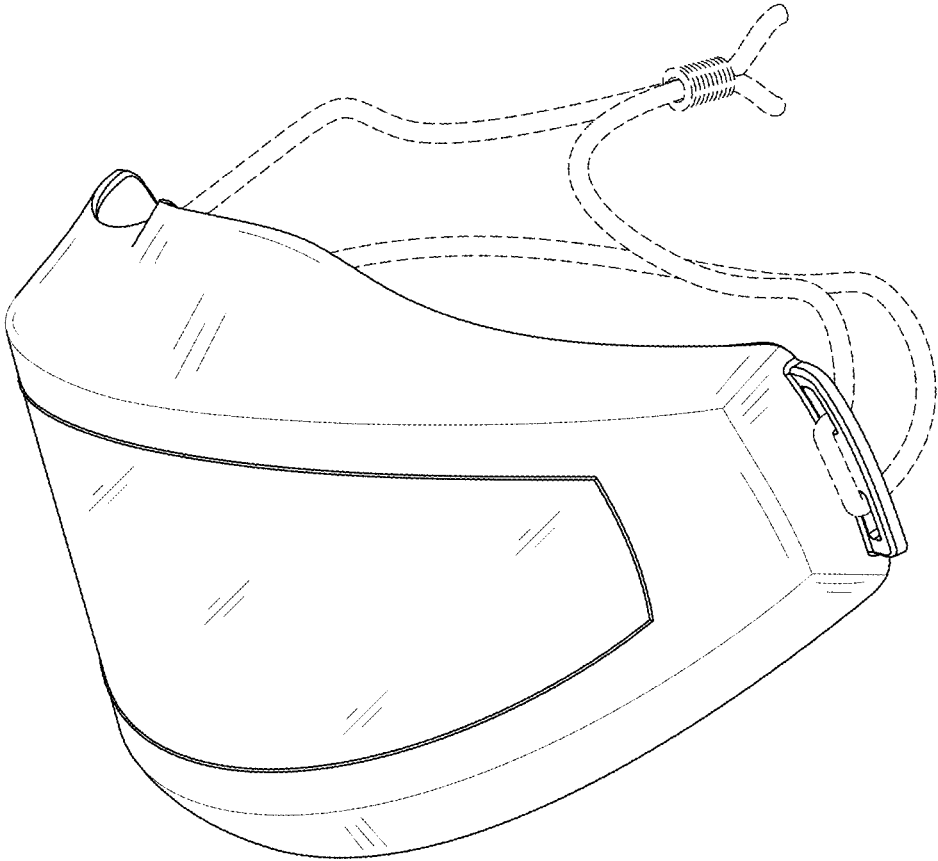


FIG. 2

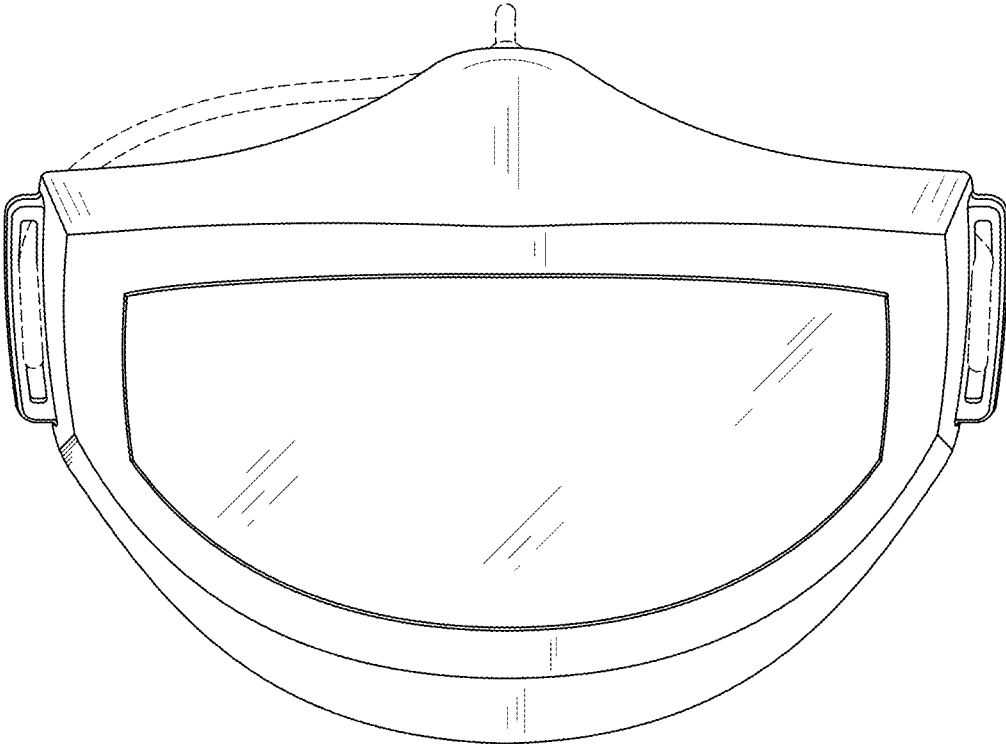


FIG. 3

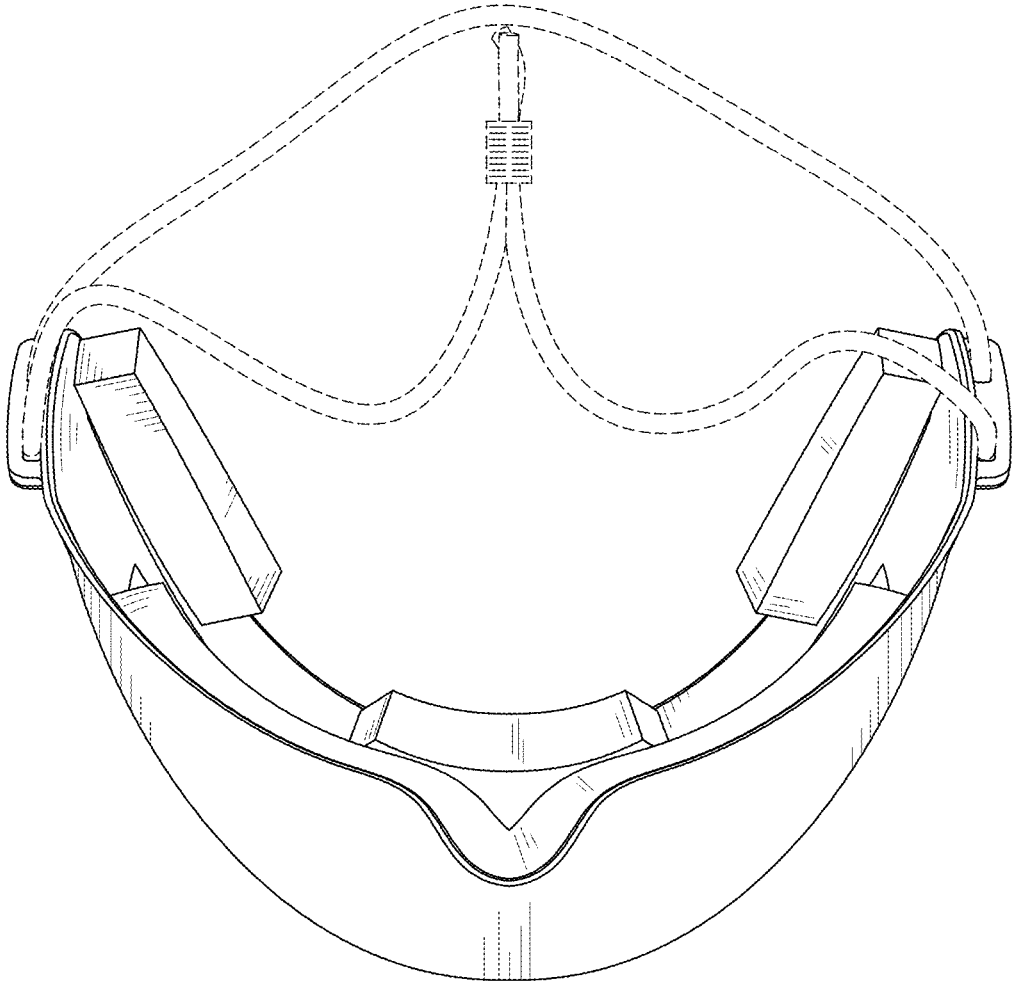


FIG. 4

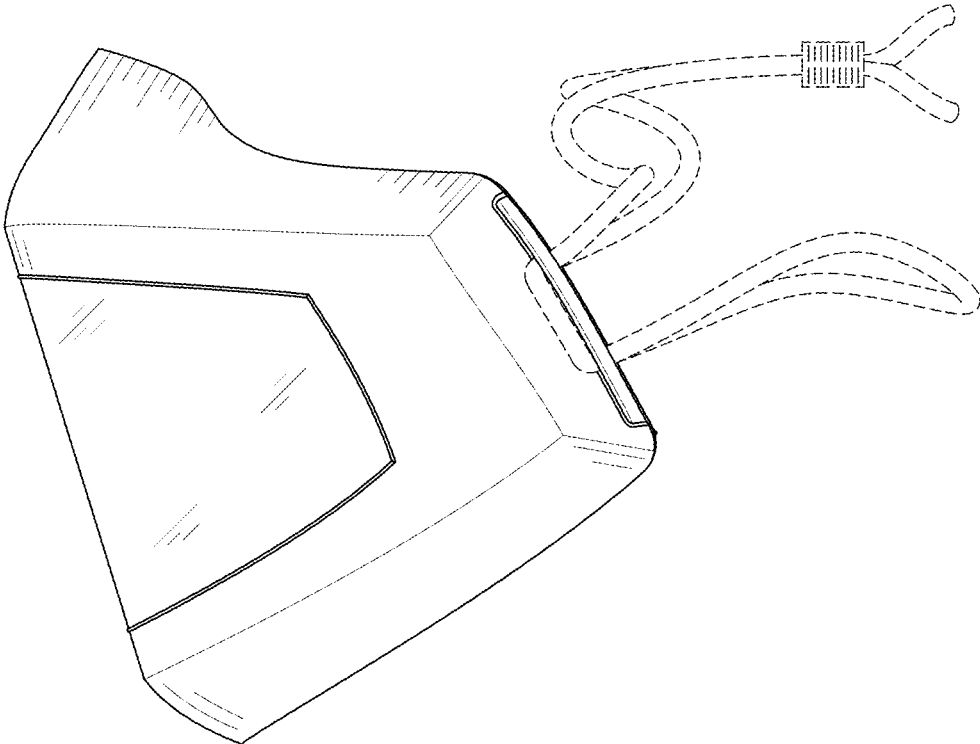


FIG. 5

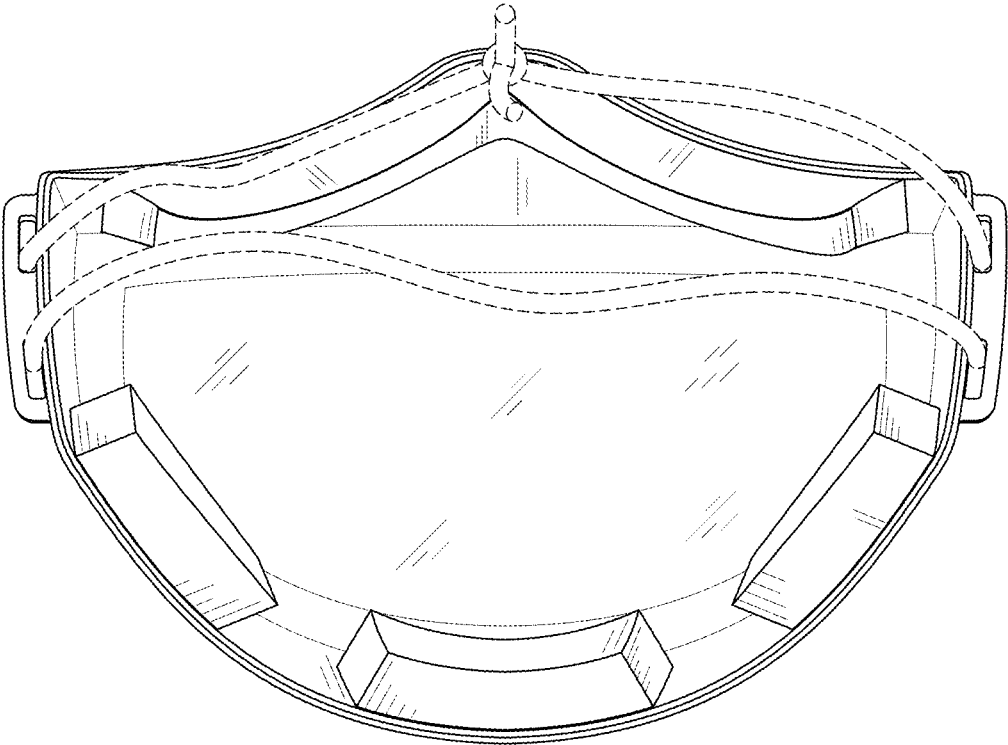


FIG. 6

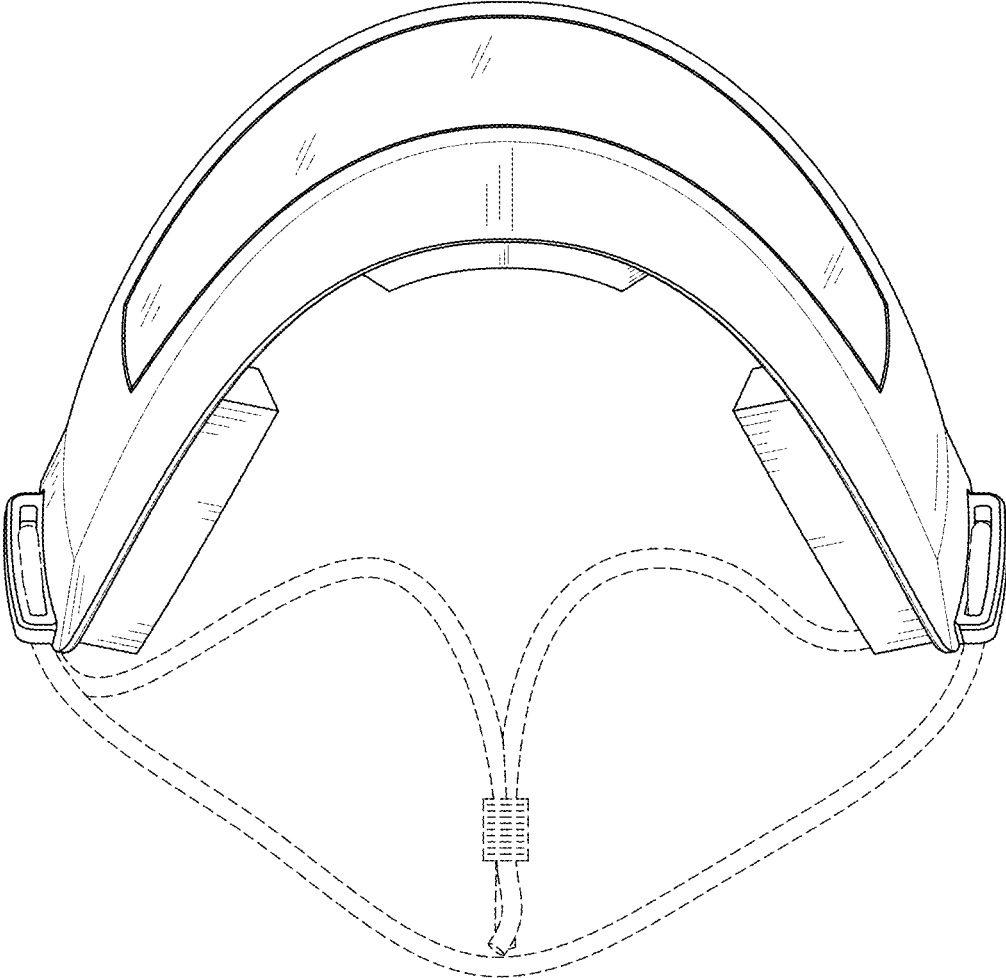




FIG. 7

