



US0D1001598S

(12) **United States Design Patent**  
**Xu**

(10) **Patent No.:** **US D1,001,598 S**

(45) **Date of Patent:** **\*\* Oct. 17, 2023**

(54) **LUNCH BOX**

(71) Applicant: **DONGGUAN OUMENG**  
**HOUSEWARE PRODUCTS CO.,**  
**LTD, Dongguan (CN)**

(72) Inventor: **Jingsheng Xu, Yueyang (CN)**

(73) Assignee: **DONGGUAN OUMENG**  
**HOUSEWARE PRODUCTS CO.,**  
**LTD, Dongguan (CN)**

(\*\*) Term: **15 Years**

(21) Appl. No.: **29/893,140**

(22) Filed: **May 25, 2023**

(51) **LOC (14) Cl.** ..... **07-09**

(52) **U.S. Cl.**  
USPC ..... **D7/602**

(58) **Field of Classification Search**  
USPC ..... D7/601, 629, 550.1, 551.1, 551.2, 551.3,  
D7/552.1, 552.2, 553.1, 553.2, 553.3,  
D7/553.4, 553.5, 553.7, 553.8, 554.1,  
D7/554.3, 554.4, 555, 557, 630, 538-542,  
D7/612-615, 584, 586, 587, 392.1, 709,  
D7/502, 608, 622; D9/424-432, 737,  
D9/759, 761; D3/273, 274, 201-206,  
D3/276, 283, 284, 295, 302  
CPC ..... B65D 1/36; B65D 25/04; B65D 21/0206;  
B65D 2543/00175; B65D 2543/00296  
See application file for complete search history.

(56) **References Cited**

**U.S. PATENT DOCUMENTS**

D464,196 S \* 10/2002 Parker ..... D3/273  
D709,333 S \* 7/2014 Stamatopoulos ..... D7/630  
D832,656 S 11/2018 Sun et al.  
D866,268 S \* 11/2019 Tan ..... D7/709  
D885,144 S 5/2020 Huckestein et al.

D964,808 S \* 9/2022 Xu ..... D7/541  
D970,319 S \* 11/2022 Xu ..... D7/703  
D974,854 S \* 1/2023 Xu ..... D7/629  
D983,626 S \* 4/2023 Li ..... D7/703  
D992,364 S \* 7/2023 Xu ..... D7/629  
2022/0219867 A1\* 7/2022 Atshan ..... A47J 47/10

**OTHER PUBLICATIONS**

Lanskyware 3 Lunch Box | posted at Amazon.com, posted on Mar. 23, 2022, © 1996-2023 Amazon.com, [online], [site visited Jul. 28, 2023]. Available from Internet, <URL: <https://www.amazon.com/Compartments-Insulated-Portable-Stainless-Containers%EF%BC%8CLeak/dp/B09W9FR4DH/>> (Year: 2022).\*

\* cited by examiner

*Primary Examiner* — Andrew Kerr

(74) *Attorney, Agent, or Firm* — Daniel M. Cohn;  
Howard M. Cohn

(57) **CLAIM**

The ornamental design for a lunch box, as shown and described.

**DESCRIPTION**

FIG. 1 is a perspective view of a lunch box showing, my new design;  
FIG. 2 is another perspective view thereof;  
FIG. 3 is a front elevational view thereof;  
FIG. 4 is a rear elevational view thereof;  
FIG. 5 is a left side elevational view thereof;  
FIG. 6 is a right side elevational view thereof;  
FIG. 7 is a top plan view thereof;  
FIG. 8 is a bottom plan view thereof; and,  
FIG. 9 is a perspective view of the lunch box where the lunch box is in a configuration of use.  
The broken lines in the drawings depict portions of the lunch box that form no part of the claimed design.

**1 Claim, 9 Drawing Sheets**

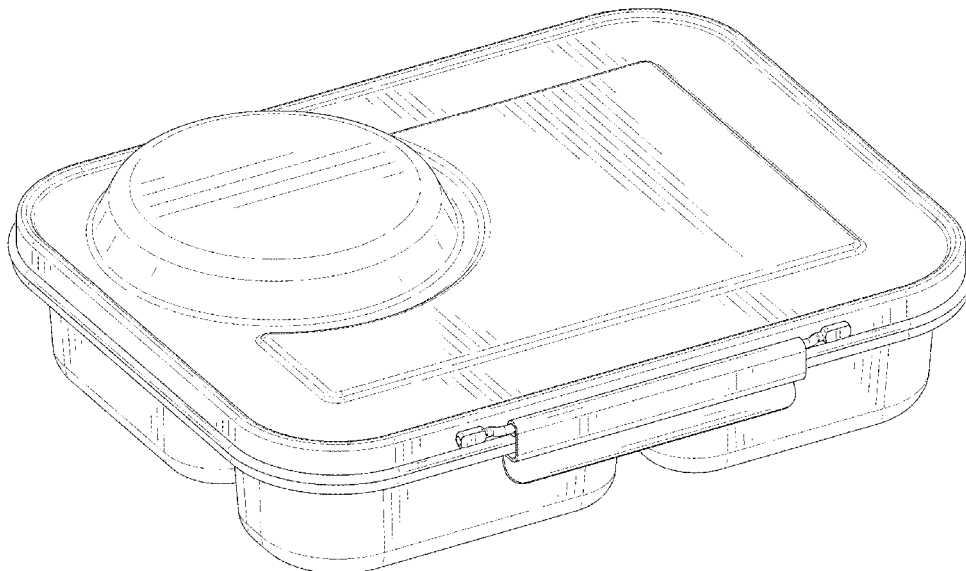




FIG. 1

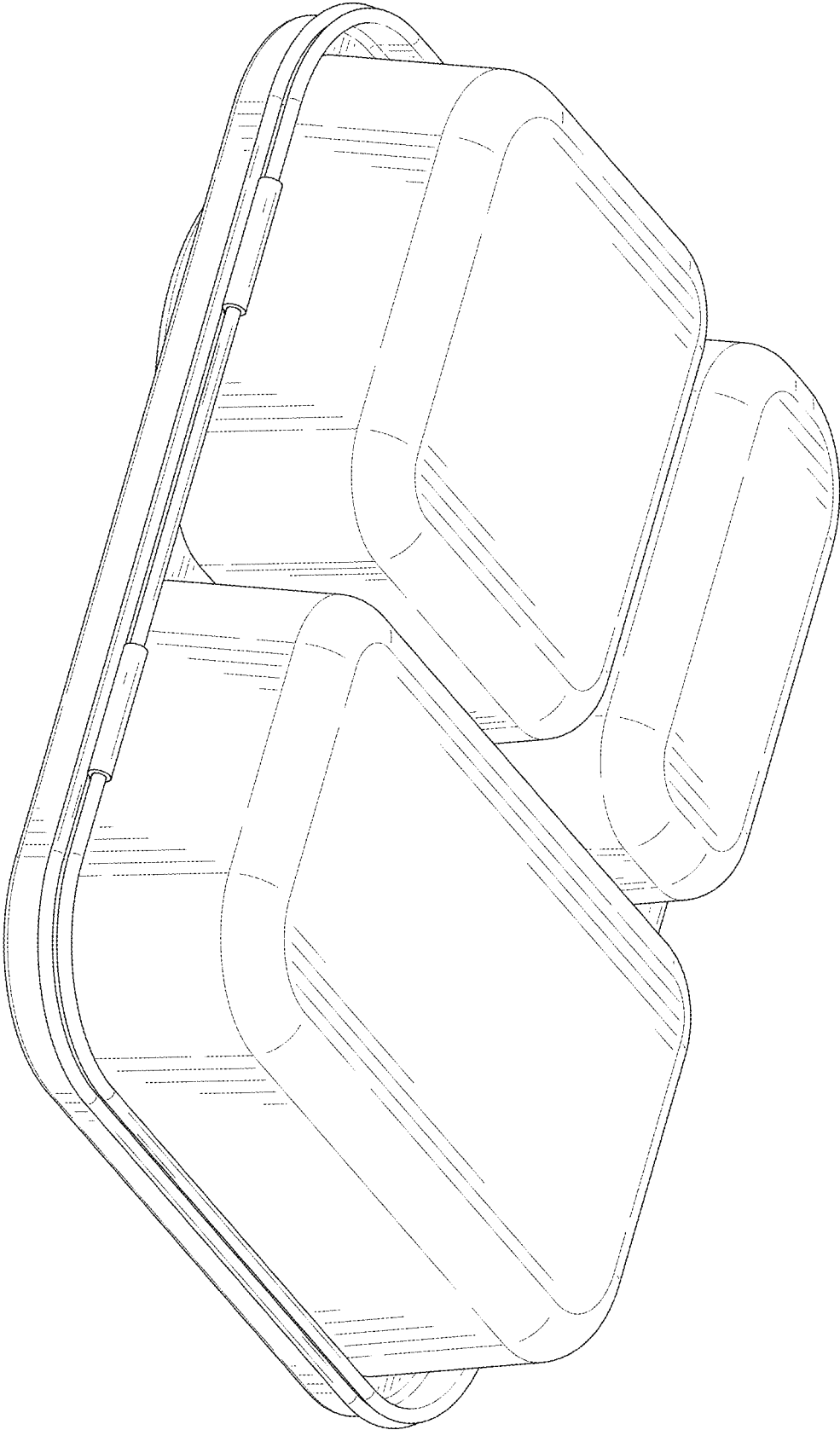


FIG. 2

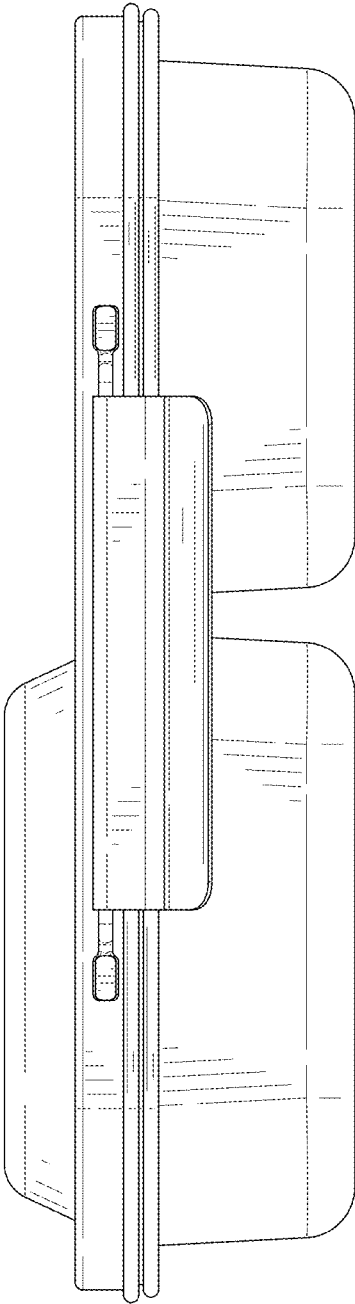


FIG. 3

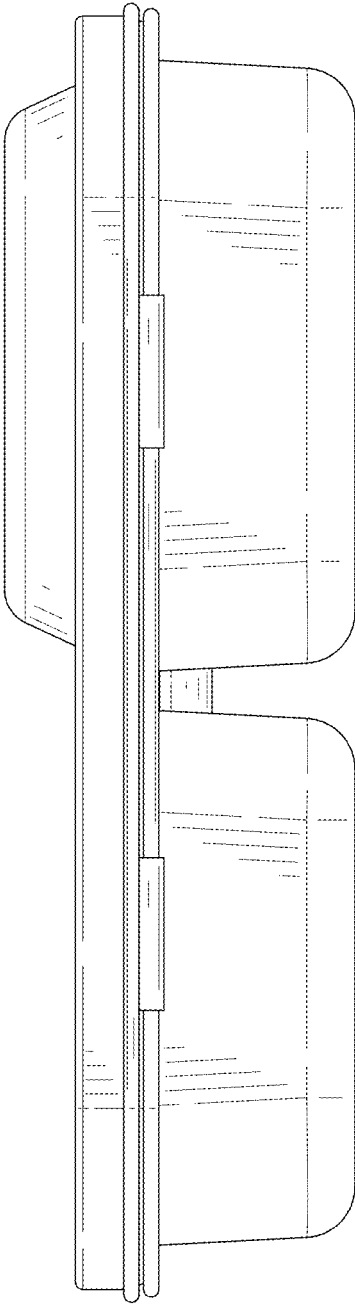


FIG. 4

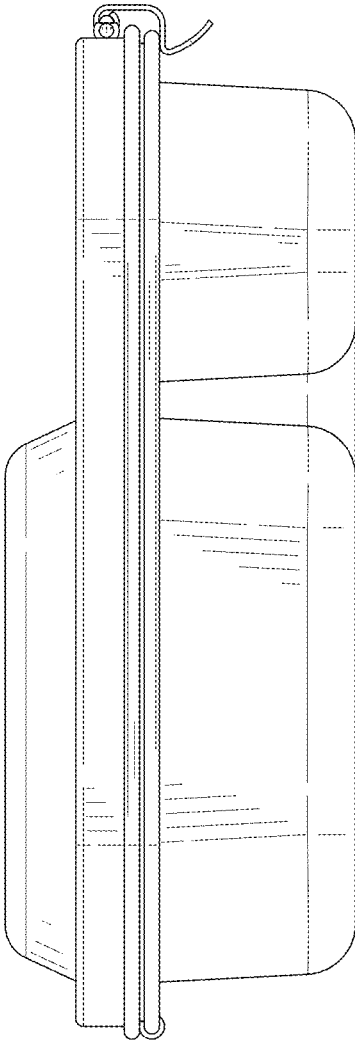


FIG. 5

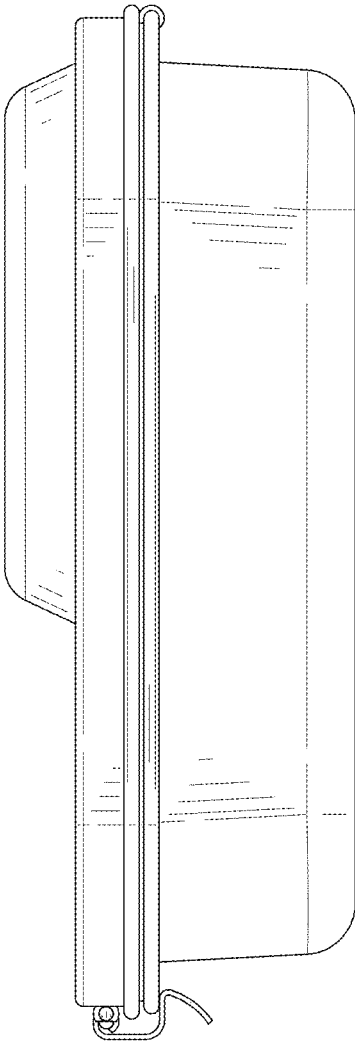


FIG. 6

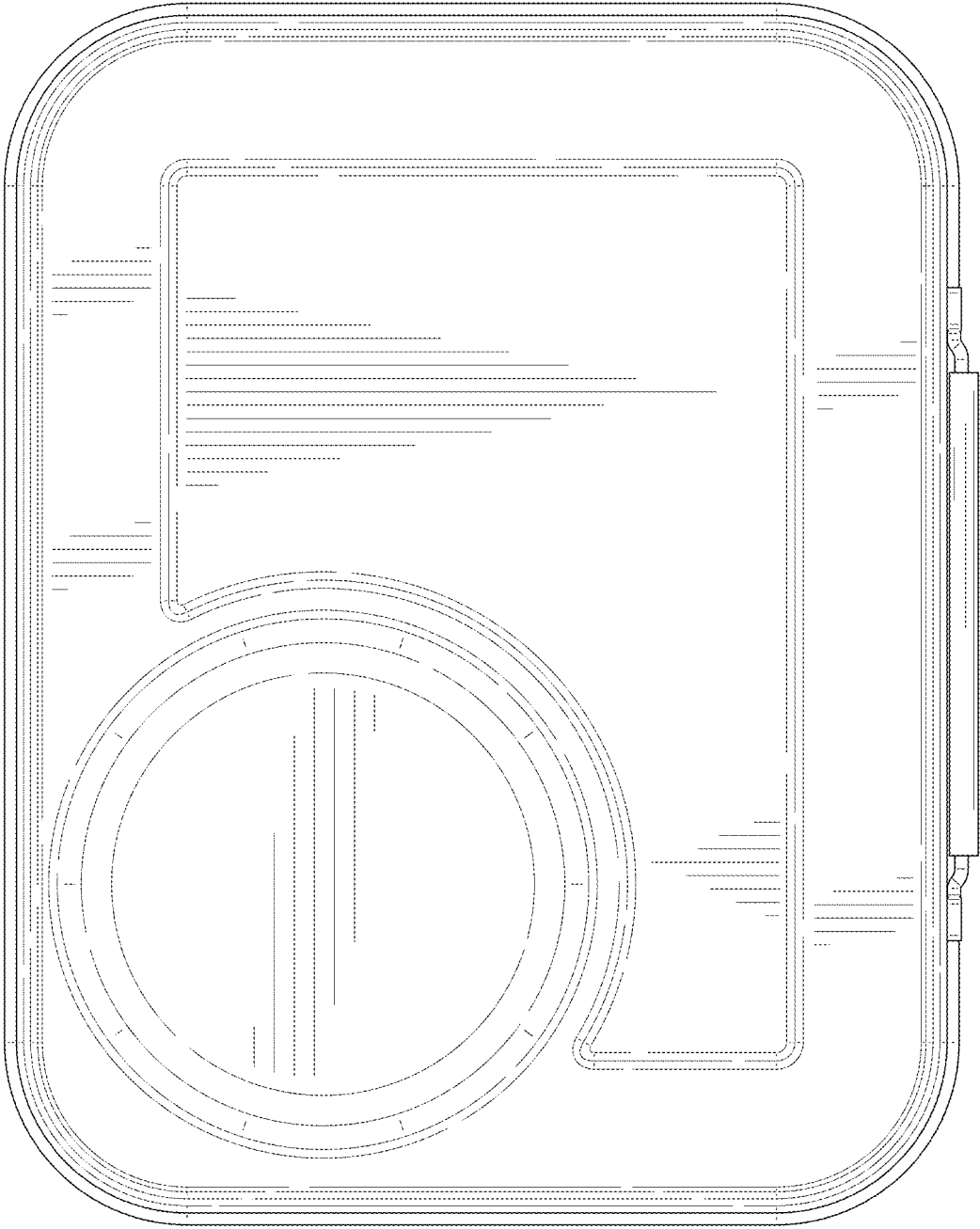


FIG. 7



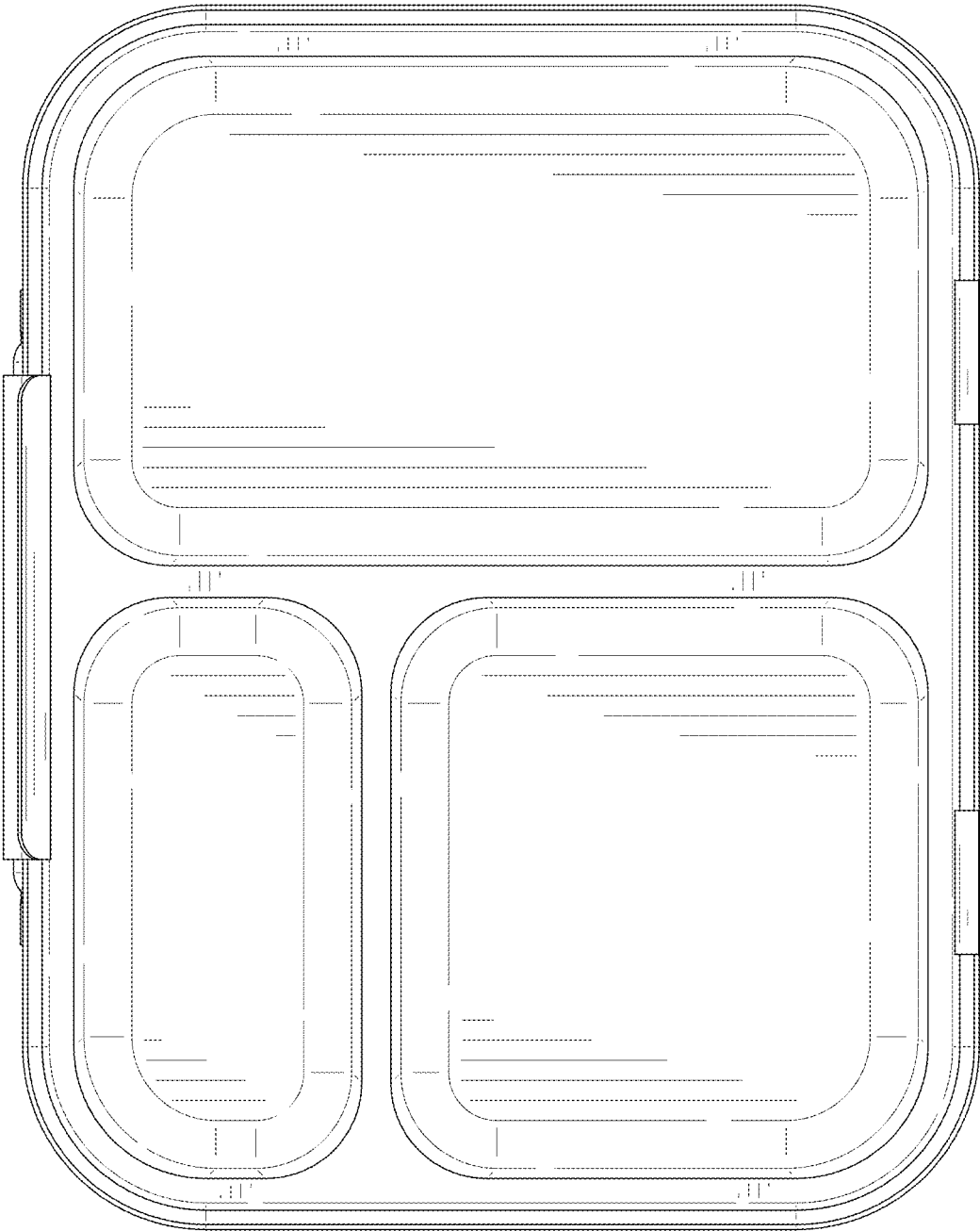


FIG. 8

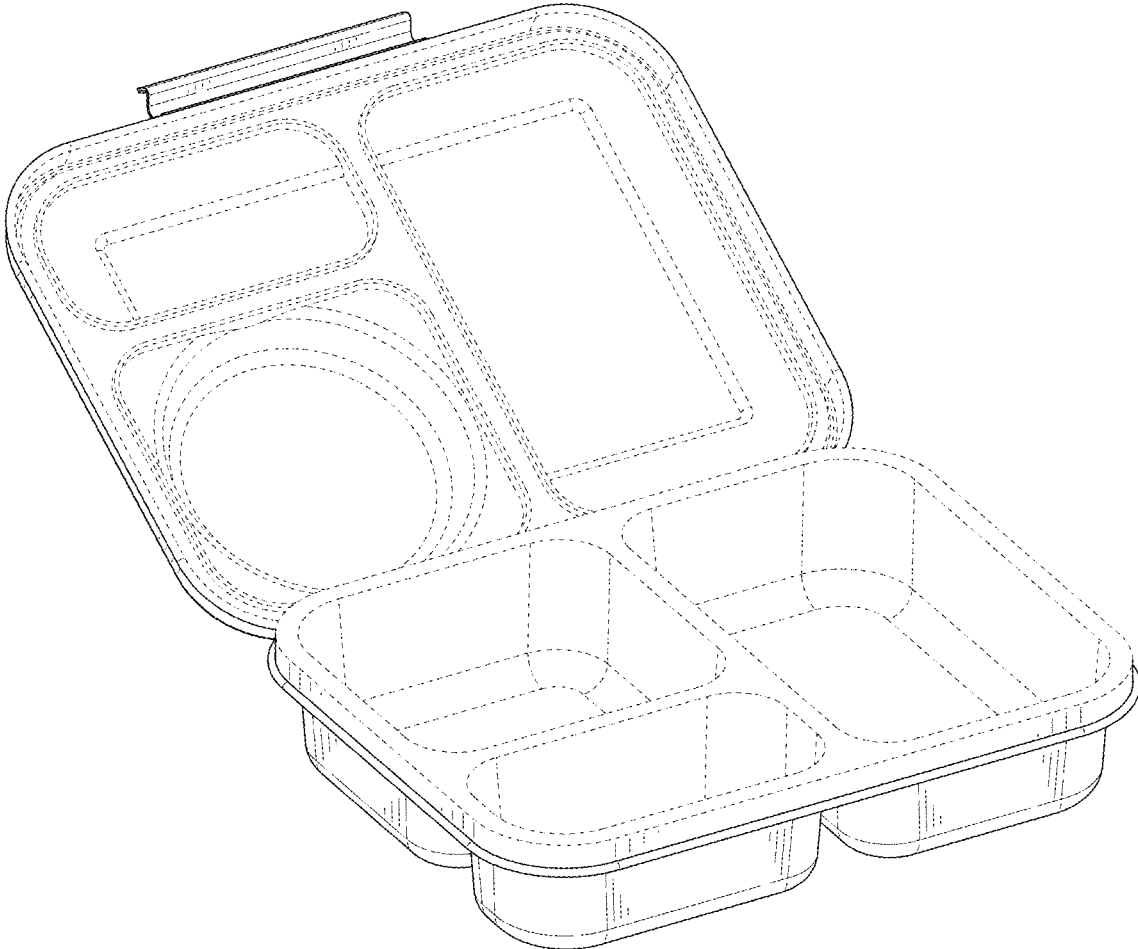


FIG. 9