



US00D924208S

(12) **United States Design Patent**
Li

(10) **Patent No.:** **US D924,208 S**

(45) **Date of Patent:** **** Jul. 6, 2021**

(54) **WIRELESS EARPHONE**

(71) Applicant: **SHENZHEN SHI KISB ELECTRONIC CO., LTD.,**
Guangdong (CN)

(72) Inventor: **Yongli Li,** Guangdong (CN)

(**) Term: **15 Years**

(21) Appl. No.: **29/715,336**

(22) Filed: **Dec. 2, 2019**

(51) **LOC (13) Cl.** **14-01**

(52) **U.S. Cl.**

USPC **D14/223**

(58) **Field of Classification Search**

USPC D14/223, 218, 205; D24/174; 128/864,
128/865, 866; 381/380, 381; 455/90.3,
455/575.1, 569.1

CPC H04R 1/10; H04R 25/00; H04R 25/02;
H04R 1/1016; H04R 1/1066; H04R
5/033; H04R 5/0335; H04R 1/105; H04R
1/1091; H04R 1/1083

See application file for complete search history.

(56) **References Cited**

U.S. PATENT DOCUMENTS

5,448,637	A	*	9/1995	Yamaguchi	H04M 1/05	379/430
D473,217	S	*	4/2003	Rivera	D14/223	
D517,054	S	*	3/2006	Yang	D14/205	
D550,658	S	*	9/2007	Wang	D14/223	
D555,152	S	*	11/2007	Wang	D14/223	
D601,548	S	*	10/2009	Morisawa	D14/223	
D604,272	S	*	11/2009	Kitayama	D14/223	
D647,890	S	*	11/2011	Son	D14/223	
D671,530	S	*	11/2012	Yang	D14/223	
D693,796	S	*	11/2013	Birger	D14/223	
D695,276	S	*	12/2013	Chee	D14/223	
D740,255	S	*	10/2015	Samrelius	D14/206	
D762,623	S	*	8/2016	Gondo	D14/223	

D794,614	S	*	8/2017	Xu	D14/223
D798,844	S	*	10/2017	Nokuo	D14/223
D831,620	S	*	10/2018	Bian	D14/223
D848,979	S	*	5/2019	Kim	D14/223
D848,983	S	*	5/2019	Kim	D14/223
D851,770	S	*	6/2019	Christiansen	D24/174
D853,992	S	*	7/2019	Kuh	D14/223
D853,993	S	*	7/2019	Kuh	D14/223
D861,647	S	*	10/2019	Chen	D14/223
D863,260	S	*	10/2019	Zheng	D14/223
D863,266	S	*	10/2019	Kim	D14/223
D864,165	S	*	10/2019	Roberts	D14/223
D864,919	S	*	10/2019	Bonahoom	D14/223
D865,720	S	*	11/2019	Deng	D14/223
D869,445	S	*	12/2019	Hu	D14/223
D872,711	S	*	1/2020	Hu	D14/223

(Continued)

FOREIGN PATENT DOCUMENTS

JP D1661655 * 5/2020

Primary Examiner — Paula Allen Greene

(74) *Attorney, Agent, or Firm* — W&K IP

(57)

CLAIM

The ornamental design for a wireless earphone, as shown and described.

DESCRIPTION

FIG. 1 is a front perspective view of a wireless earphone, showing my new design;

FIG. 2 is a rear perspective view thereof;

FIG. 3 is a front elevational view thereof;

FIG. 4 is a rear elevational view thereof;

FIG. 5 is a left side elevational view thereof;

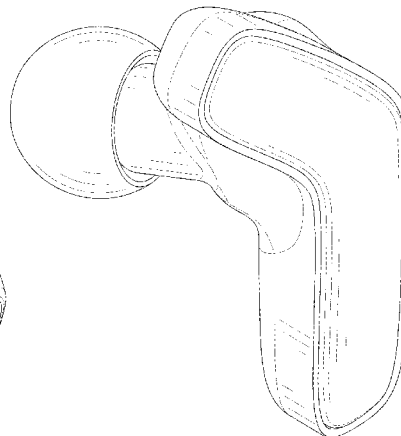
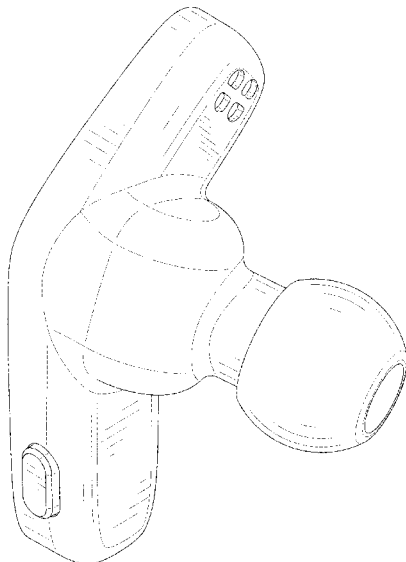
FIG. 6 is a right side elevational view thereof;

FIG. 7 is a top plan view thereof; and,

FIG. 8 is a bottom plan view thereof.

The broken lines in the figures illustrate portions of the wireless earphone that form no part of the claimed design.

1 Claim, 8 Drawing Sheets



(56)

References Cited

U.S. PATENT DOCUMENTS

D878,337	S	*	3/2020	Yang	D14/223
D881,848	S	*	4/2020	Kolton	D14/223
D883,260	S	*	5/2020	Hu	D14/223
D883,960	S	*	5/2020	Du	D14/223
D885,373	S	*	5/2020	Lundback	D14/223
D887,396	S	*	6/2020	Wang	D14/223
D888,691	S	*	6/2020	Liu	D14/223
D889,436	S	*	7/2020	Zhang	D14/223
D889,439	S	*	7/2020	Hsieh	D14/223
D889,440	S	*	7/2020	Yan	D14/223
D890,138	S	*	7/2020	Peng	D14/223
D890,724	S	*	7/2020	Li	D14/223
D892,771	S	*	8/2020	Zhao	D14/223
D904,347	S	*	12/2020	Yamamoto	D14/223
D905,020	S	*	12/2020	Du	D14/223
D909,344	S	*	2/2021	Abe	D14/223
D916,684	S	*	4/2021	Fang	D14/223
D916,685	S	*	4/2021	Fang	D14/223
D918,178	S	*	5/2021	Chen	D14/223
D918,179	S	*	5/2021	Zhao	D14/223
D918,182	S	*	5/2021	Chen	D14/223
2009/0304220	A1	*	12/2009	Fujikura	H04R 1/1091 381/380
2012/0094601	A1	*	4/2012	Li	H04N 7/185 455/41.2

* cited by examiner

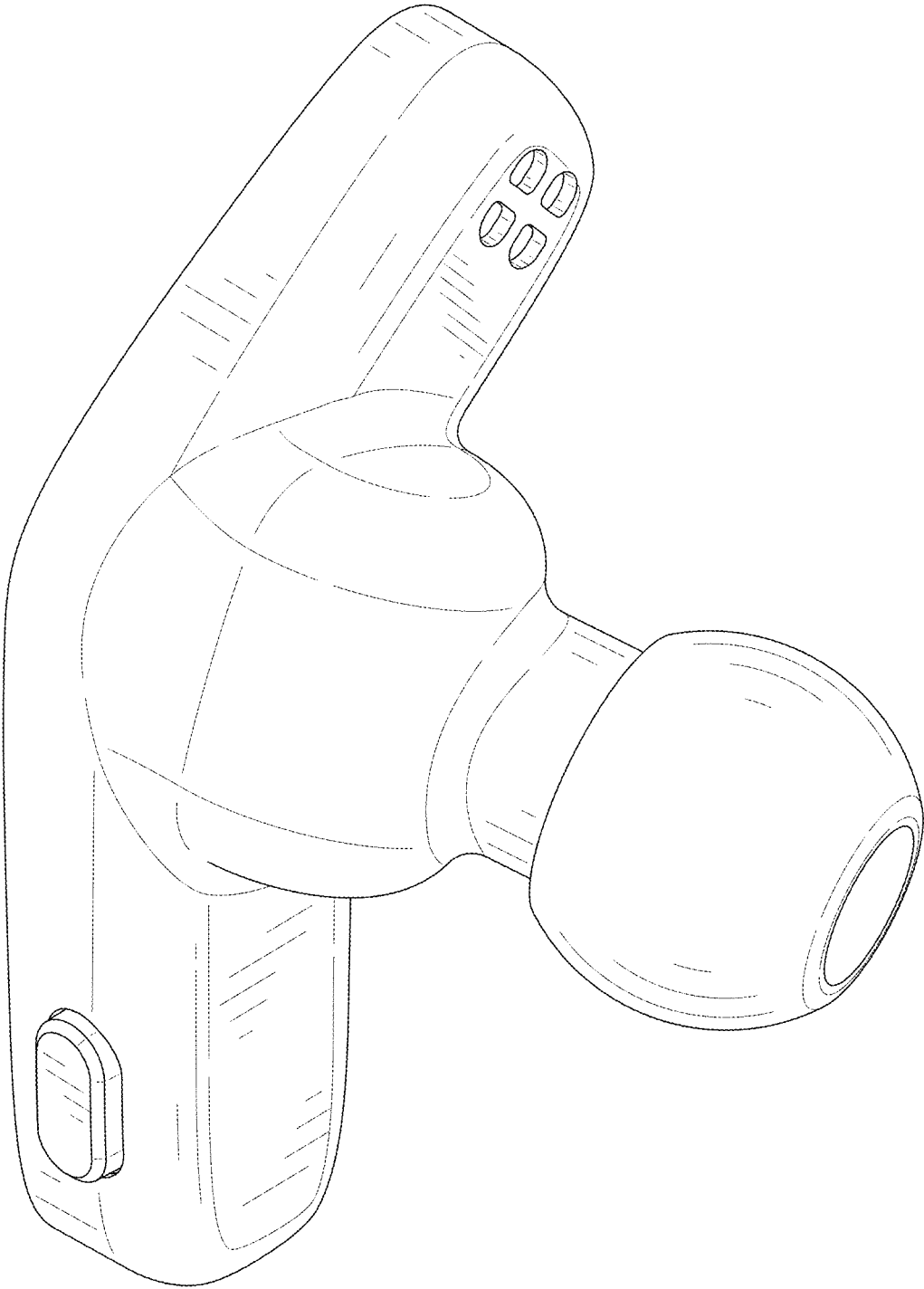


FIG. 1

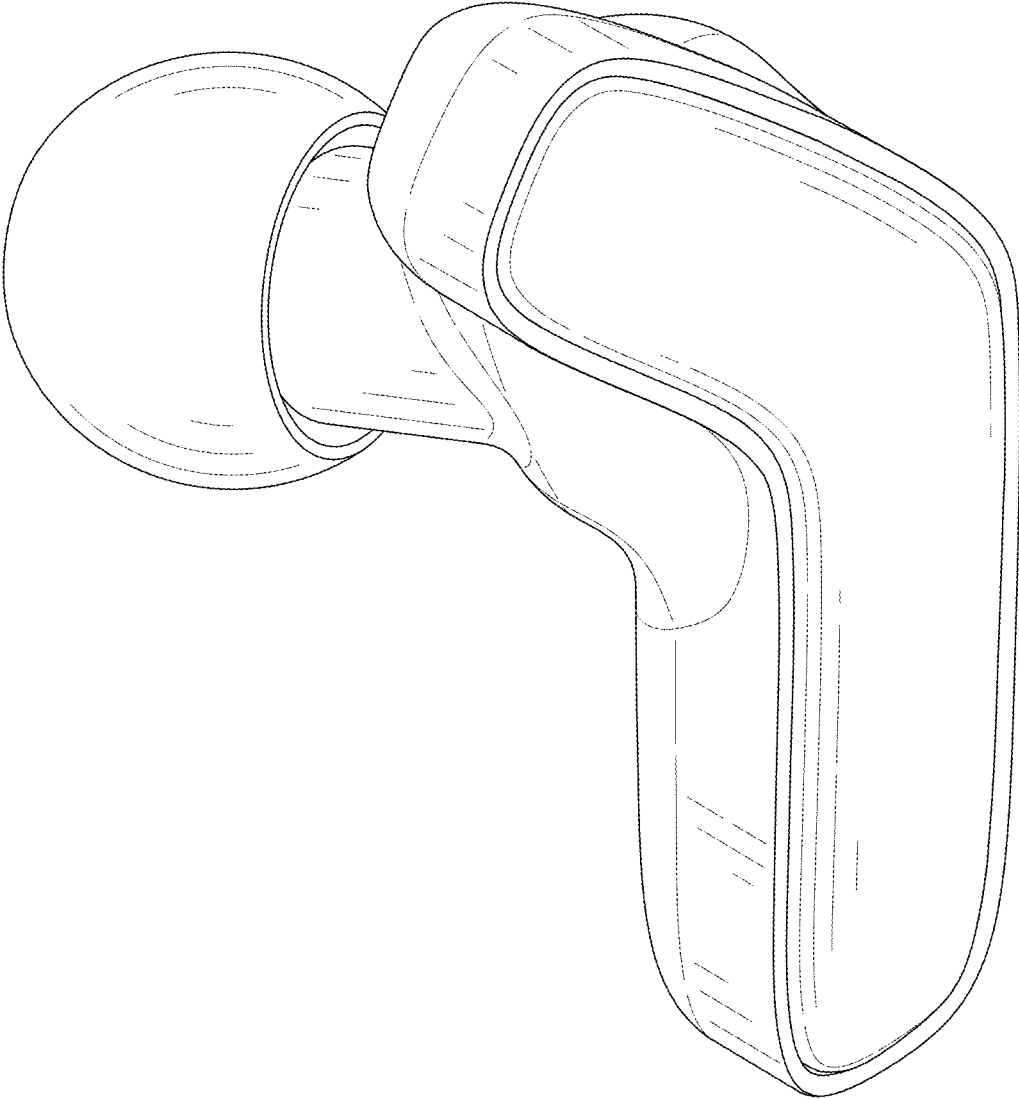


FIG. 2

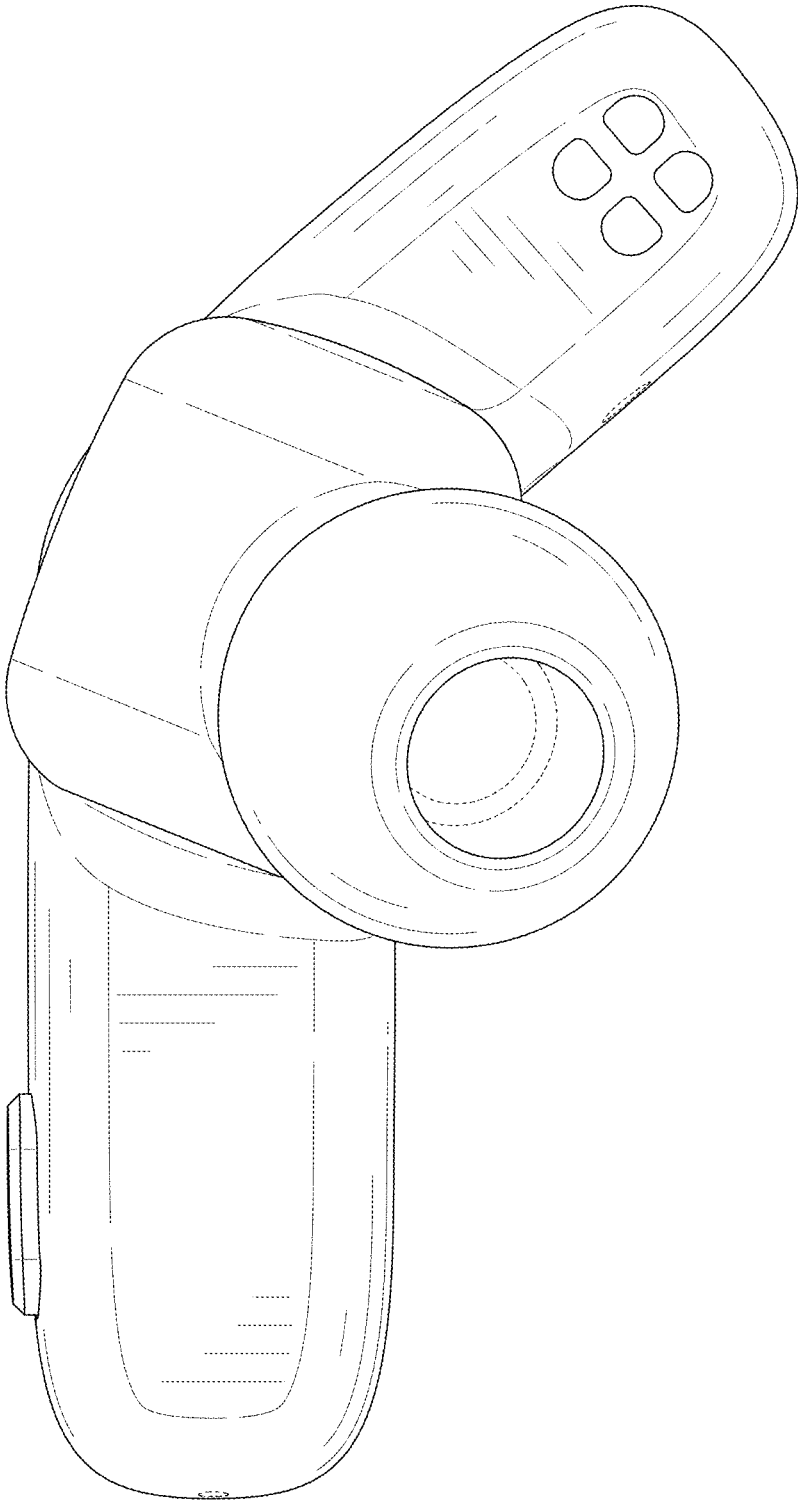


FIG. 3

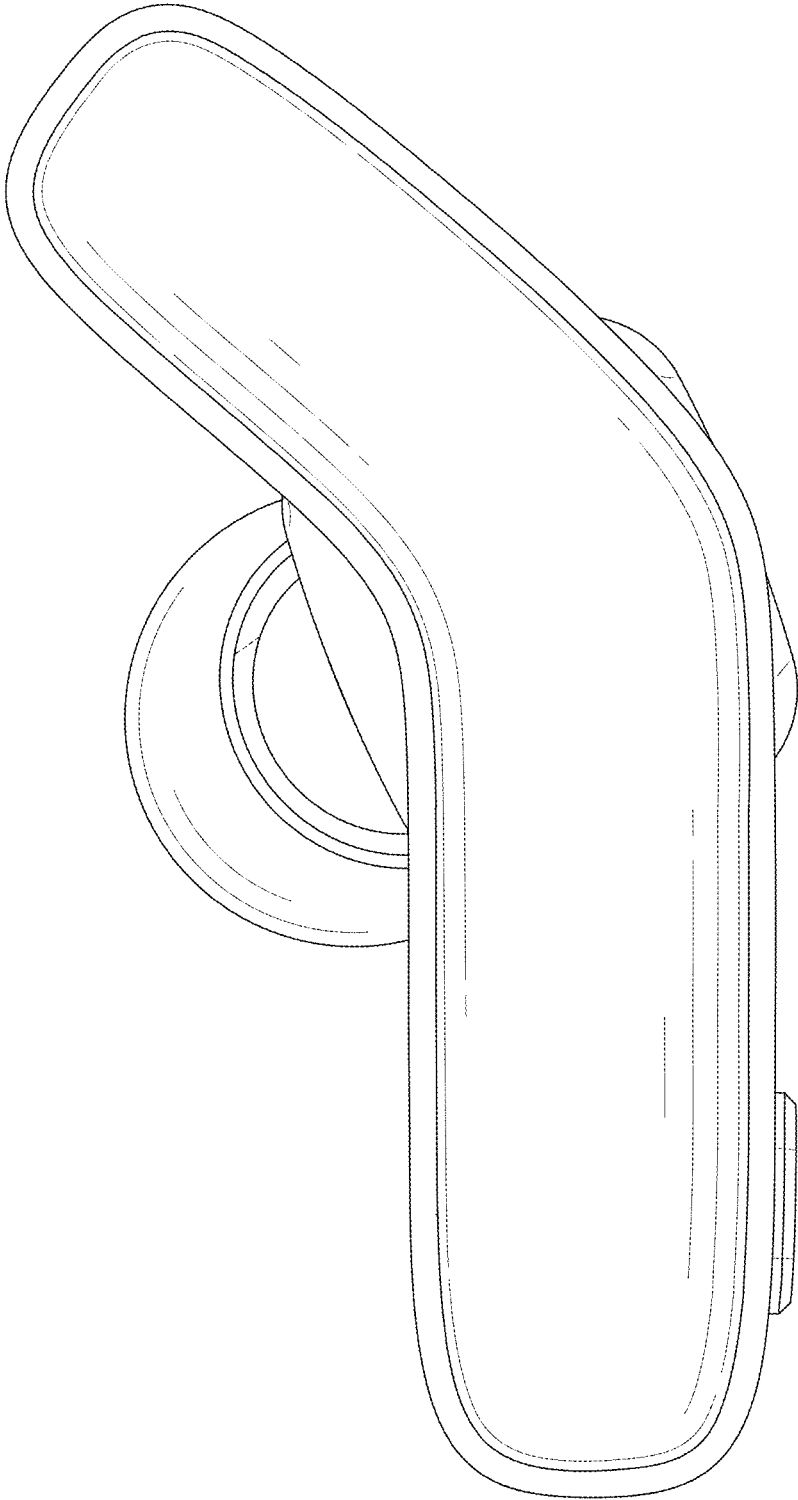


FIG. 4

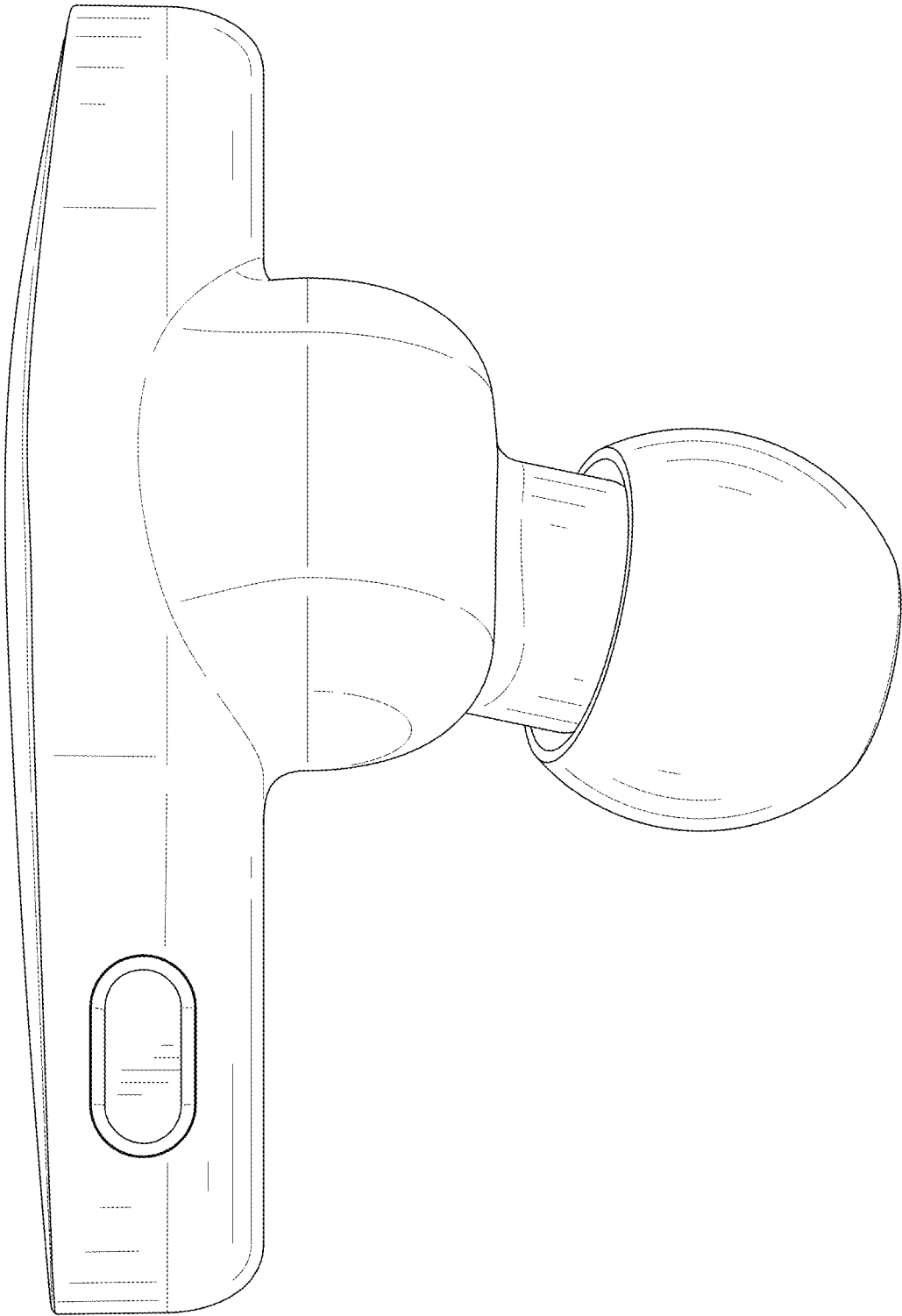


FIG. 5

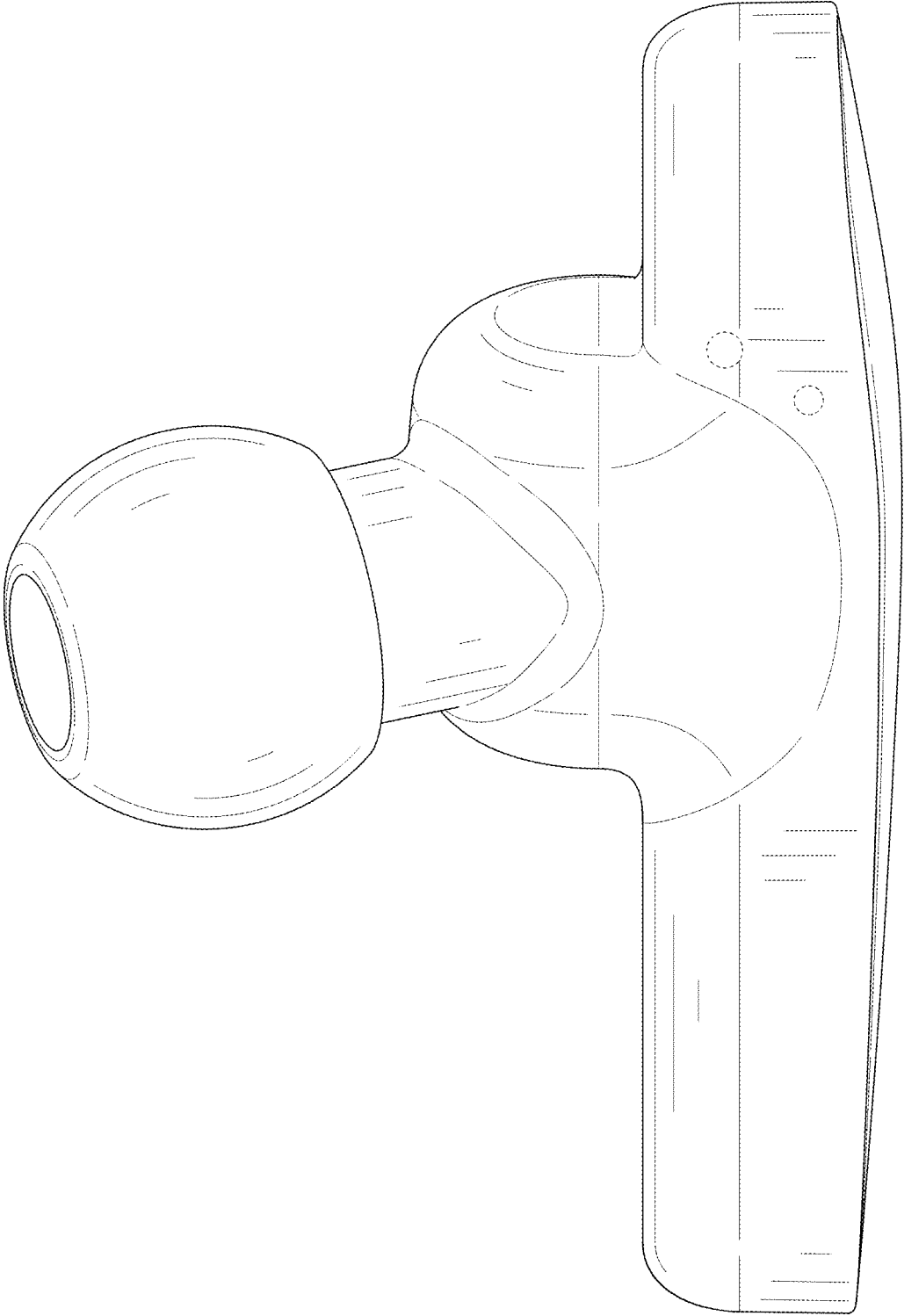


FIG. 6

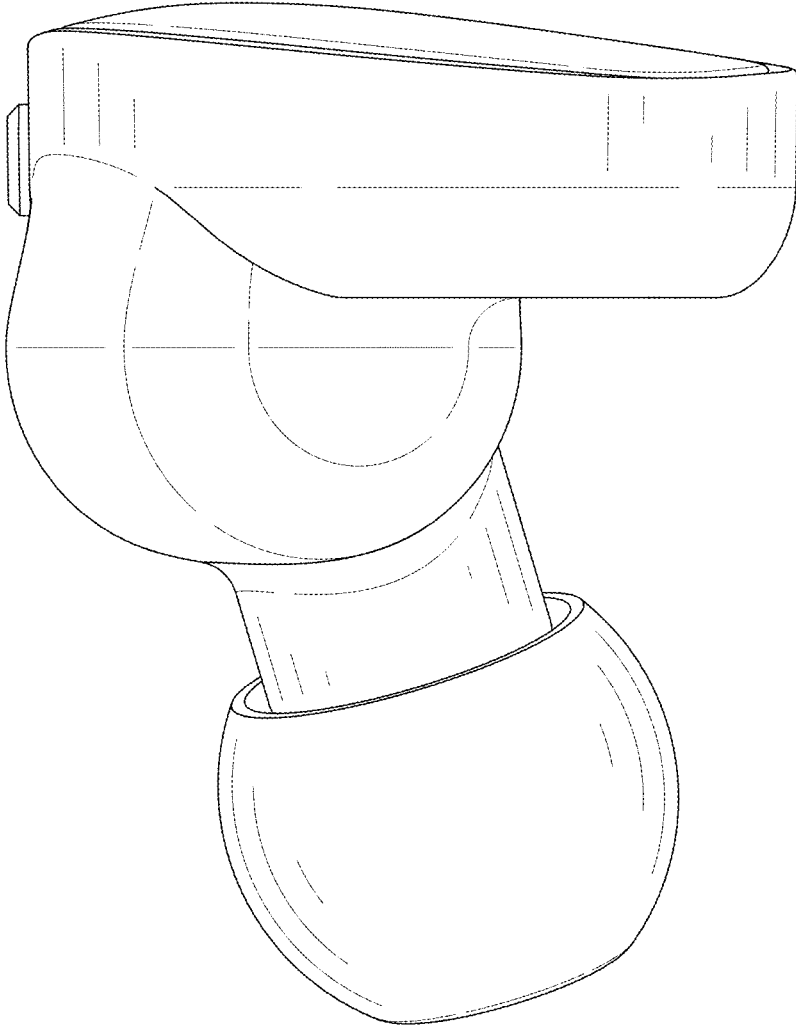


FIG. 7

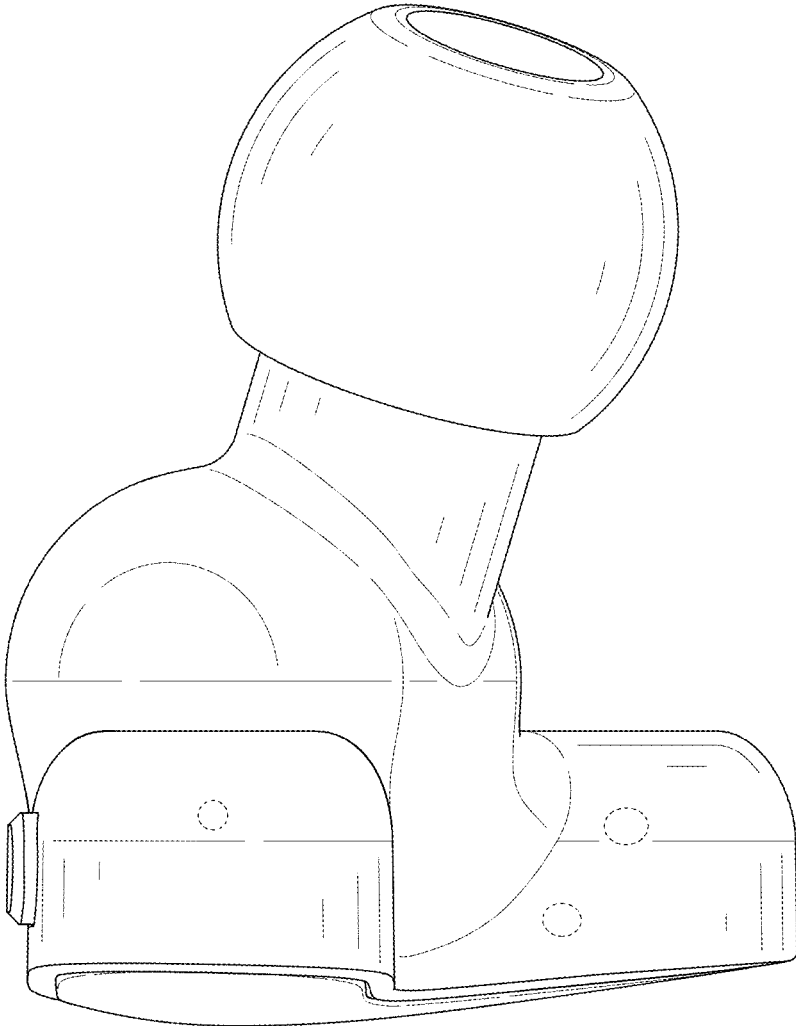


FIG. 8