



(12) **United States Design Patent**  
**Li et al.**

(10) **Patent No.:** **US D1,017,563 S**  
(45) **Date of Patent:** **\*\* Mar. 12, 2024**

(54) **TELEVISION**

(71) Applicant: **Shenzhen Chuangwei-RGB Electronics Co., Ltd.**, Shenzhen (CN)

(72) Inventors: **Qiang Li**, Shenzhen (CN); **Xiangcheng Liu**, Shenzhen (CN); **Bosheng Tang**, Shenzhen (CN); **Yihao Zhang**, Shenzhen (CN)

(73) Assignee: **Shenzhen Chuangwei-RGB Electronics Co., Ltd.**, Shenzhen (CN)

(\*\*) Term: **15 Years**

(21) Appl. No.: **29/785,812**

(22) Filed: **May 27, 2021**

(30) **Foreign Application Priority Data**

Dec. 15, 2020 (CN) ..... 202030771678.6

(51) **LOC (14) Cl.** ..... **14-03**

(52) **U.S. Cl.**  
USPC ..... **D14/126**

(58) **Field of Classification Search**  
USPC ..... D14/126, 239, 336, 371, 447, 451, 224,  
D14/251, 229, 217, 211, 209.1; D19/113,  
D19/114

(Continued)

(56) **References Cited**

**U.S. PATENT DOCUMENTS**

6,612,670 B2 \* 9/2003 Liu ..... A47B 97/00  
160/351

D609,263 S \* 2/2010 Tatara ..... D16/241

(Continued)

**FOREIGN PATENT DOCUMENTS**

CN 304946035 \* 12/2018  
CN 306893220 \* 10/2021

(Continued)

**OTHER PUBLICATIONS**

Tom's Guide, first available Jan. 7, 2019 [online], [retrieved Dec. 12, 2022]. Available from the Internet, URL: <https://www.tomsguide.com/us/lg-rollable-oled-tv-r,review-6070.html>. (Year: 2019).\*

(Continued)

*Primary Examiner* — Jack Reickel

*Assistant Examiner* — Russell Carnell Smith, Jr.

(74) *Attorney, Agent, or Firm* — LADAS & PARRY LLP

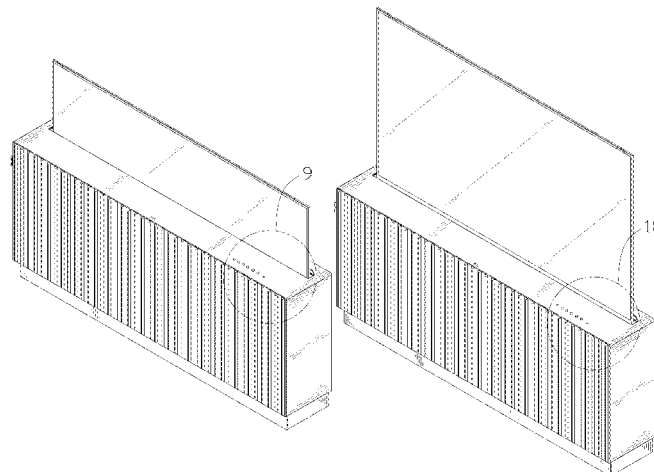
(57) **CLAIM**

The ornamental design for a television, as shown and described.

**DESCRIPTION**

FIG. 1 is a side perspective view of the new design of a television according to an embodiment; FIG. 2 is another side perspective view thereof; FIG. 3 is a front elevation view thereof; FIG. 4 is a rear elevation view thereof; FIG. 5 is a left side view thereof; FIG. 6 is a right side view thereof; FIG. 7 is a top view thereof; FIG. 8 is a bottom view thereof; FIG. 9 is an enlarged view thereof, illustrating a portion of the television identified by reference numeral 9 in FIG. 1; FIG. 10 is a side perspective view of the new design of a television according to an embodiment; FIG. 11 is another side perspective view thereof; FIG. 12 is a front elevation view thereof; FIG. 13 is a rear elevation view thereof; FIG. 14 is a left side view thereof; FIG. 15 is a right side view thereof; FIG. 16 is a top view thereof; FIG. 17 is a bottom view thereof; and, FIG. 18 is an enlarged view thereof, illustrating a portion of the television identified by reference numeral 18 in FIG. 10. The broken (dashed) lines show portions of the television that form no part of the claimed design. The dot-dashed

(Continued)



broken line in FIGS. 1, 9, 10, and 18 shows the boundary of the enlarged views and forms no part of the claimed design.

**1 Claim, 18 Drawing Sheets**

(58) **Field of Classification Search**

CPC ..... H04N 7/00; H04N 9/3141; H04N 17/04;  
H04N 17/004; H04N 21/43637; G06F  
1/16; G06F 1/1601; G06F 1/1605; G06F  
1/1637; G06F 1/162  
See application file for complete search history.

(56)

**References Cited**

U.S. PATENT DOCUMENTS

D613,080	S	*	4/2010	Tsuchiyama	.....	D6/332
D736,732	S	*	8/2015	Yoon	.....	D14/126
D737,234	S	*	8/2015	Kim	.....	D14/126
D772,831	S	*	11/2016	Han	.....	D14/126
D772,833	S	*	11/2016	Han	.....	D14/126
D776,072	S	*	1/2017	Kim	.....	D14/126
D783,553	S	*	4/2017	Kim	.....	D14/126
D808,668	S	*	1/2018	Tsuchiyama	.....	D6/664
D813,832	S	*	3/2018	Kim	.....	D14/126
D824,868	S	*	8/2018	Chong	.....	D14/126
D838,253	S	*	1/2019	Asamizu	.....	D14/126
10,534,402	B1	*	1/2020	Kim	.....	H05K 1/118
D875,698	S	*	2/2020	Kang	.....	D14/126
D883,244	S	*	5/2020	Kim	.....	D14/129
D886,196	S	*	6/2020	Lee	.....	D20/39
D887,379	S	*	6/2020	Cha	.....	D14/126
D895,563	S	*	9/2020	Cha	.....	D14/126
D896,193	S	*	9/2020	Cha	.....	D14/126
D900,762	S	*	11/2020	Lee	.....	D14/126
D901,408	S	*	11/2020	Kim	.....	D14/126
D901,409	S	*	11/2020	Kim	.....	D14/126
D901,410	S	*	11/2020	Kim	.....	D14/126
D901,411	S	*	11/2020	Kim	.....	D14/126
D912,637	S	*	3/2021	Lee	.....	D14/126

D934,825	S	*	11/2021	Pyo	.....	D14/126
D944,221	S	*	2/2022	Kim	.....	D14/126
D949,971	S	*	4/2022	Lee	.....	D14/126
D949,973	S	*	4/2022	You	.....	D14/126
D966,211	S	*	10/2022	Kim	.....	D14/126
D967,044	S	*	10/2022	Kim	.....	D14/126
D976,224	S	*	1/2023	Kim	.....	D14/126
D1,005,249	S	*	11/2023	Lee	.....	D14/126
D1,005,250	S	*	11/2023	Lee	.....	D14/126
D1,005,251	S	*	11/2023	Lee	.....	D14/126
D1,005,265	S	*	11/2023	Lee	.....	D14/218
2007/0035671	A1	*	2/2007	Ryu	.....	H04N 5/64 348/794
2017/0027067	A1	*	1/2017	Choi	.....	G06F 1/1652

FOREIGN PATENT DOCUMENTS

CN	307940792	*	3/2023
CN	308124104	*	7/2023
EM	008264584-0001	*	11/2020
KR	300972313.0000	*	3/2019
KR	300892894.0000	*	2/2020

OTHER PUBLICATIONS

Insider, first available Dec. 18, 2018 [online], [retrieved Dec. 12, 2022]. Available from the Internet, URL: <<https://www.businessinsider.com/lg-rollable-tv-release-date-2019-report-2018-12>>. (Year: 2018).\*

“Sarang Sheth Shapeshifting TV Turns Into a Virtual Fireplace” Oct. 27, 2021, Yanko Design, site visited Dec. 1, 2023: <https://www.yankodesign.com/2021/10/27/this-shapeshifting-tv-turns-into-a-fireplace-when-youre-not-binge-watching-squid-games-on-netflix/> (Year: 2021).\*

“Slatted Teak Outdoor Hidden TV Lift Cabinet” Aug. 28, 2023, Etsy, site visited Dec. 1, 2023: <https://www.etsy.com/listing/1379649163/slatted-teak-outdoor-hidden-tv-lift> (Year: 2023).\*

“Avery Slatted Hidden TV Lift Cabinet” Oct. 22, 2023, Etsy, site visited Dec. 1, 2023: <https://www.etsy.com/listing/1407997606/avery-slatted-hidden-tv-lift-cabinet> (Year: 2023).\*

\* cited by examiner

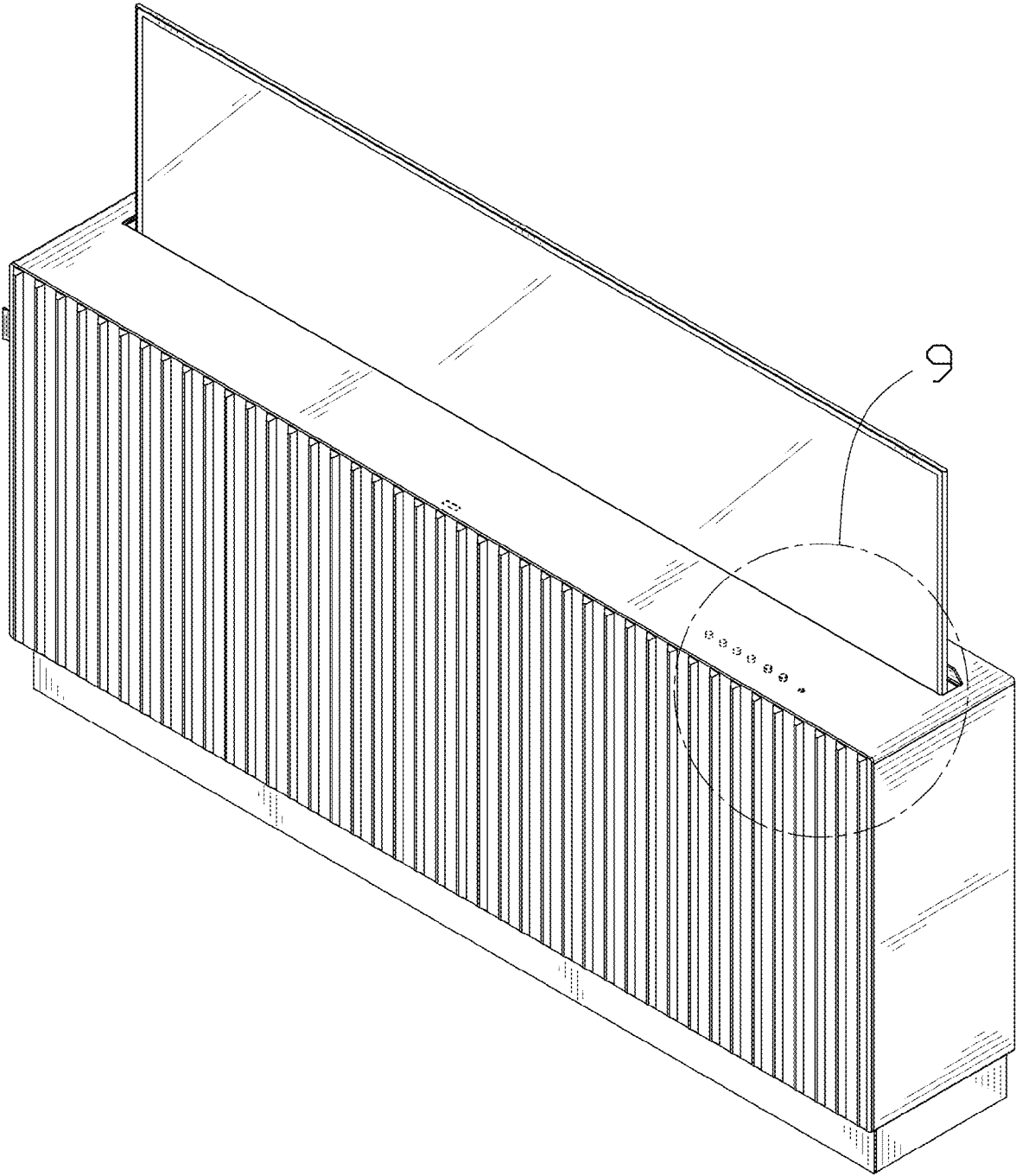


FIG. 1

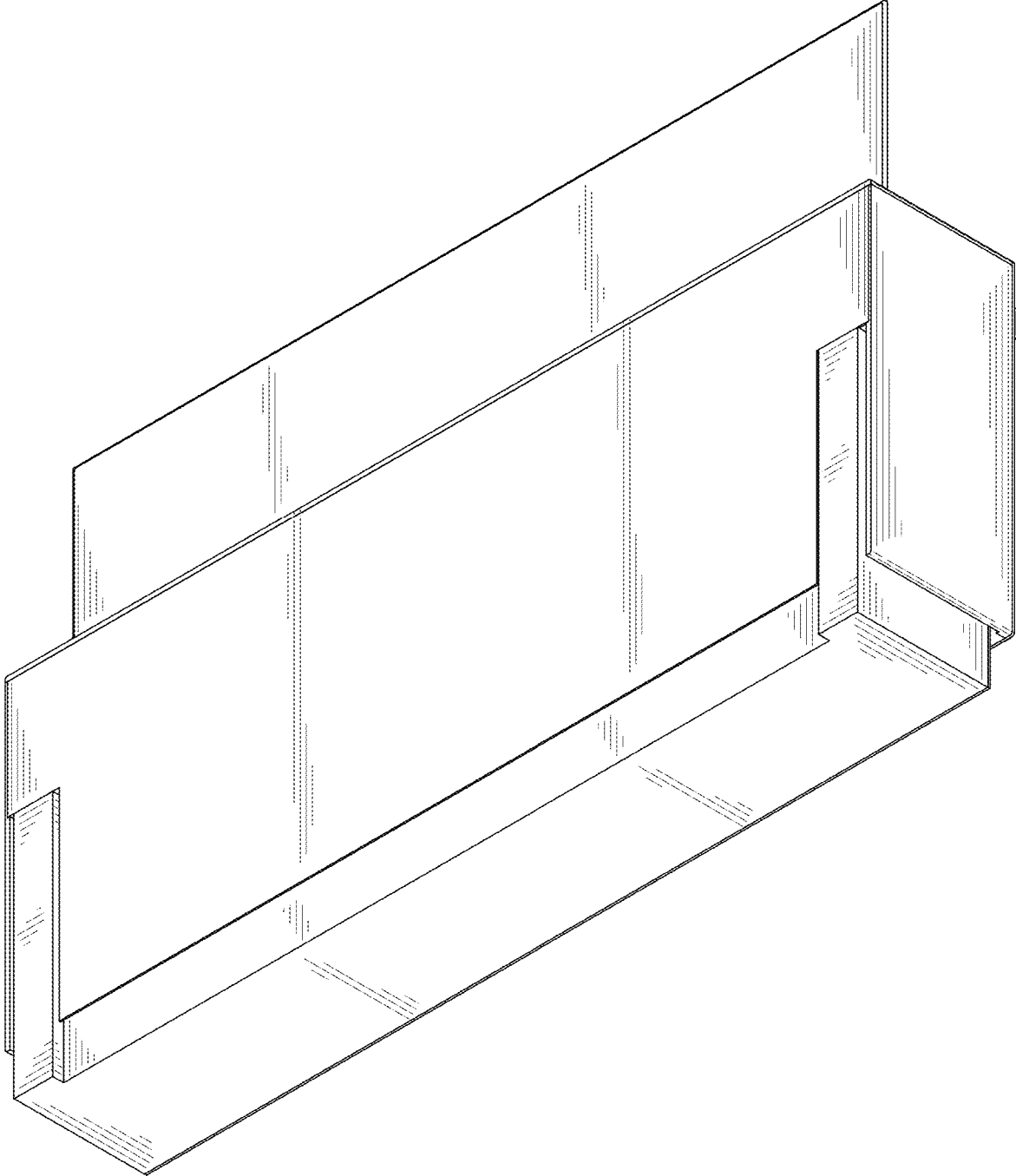


FIG. 2

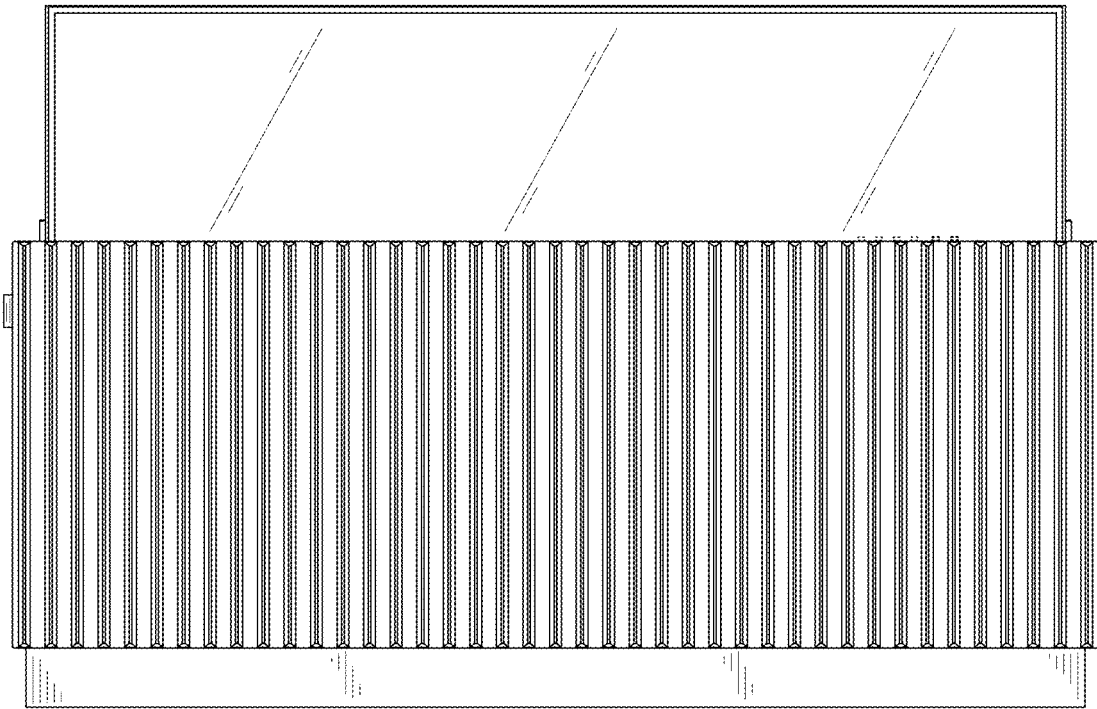


FIG. 3

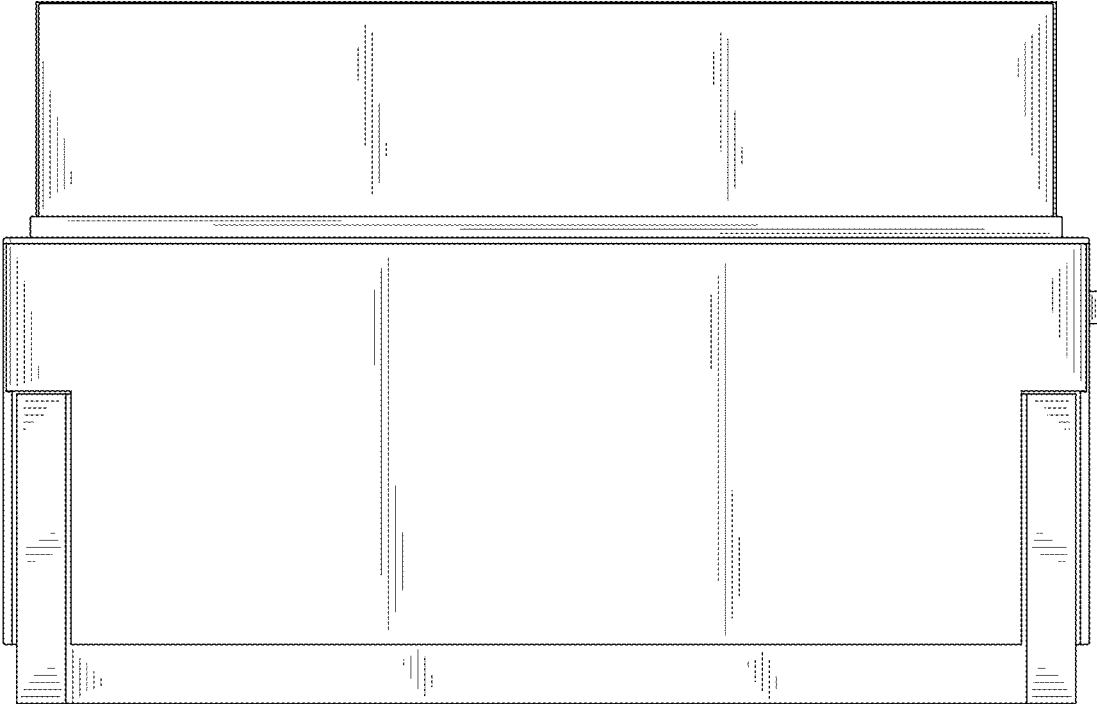


FIG. 4

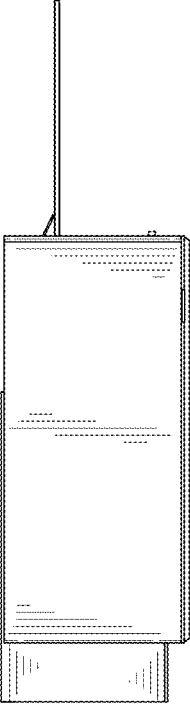


FIG. 5

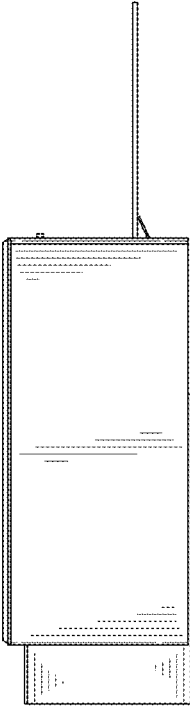


FIG. 6



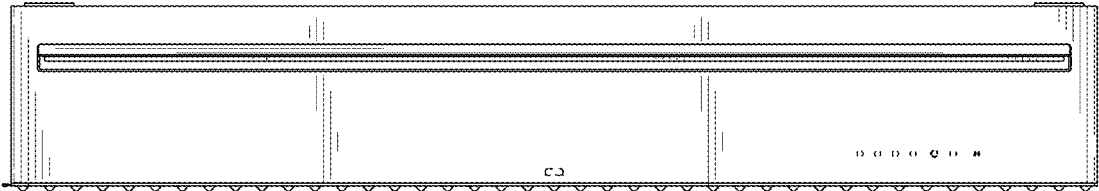


FIG. 7

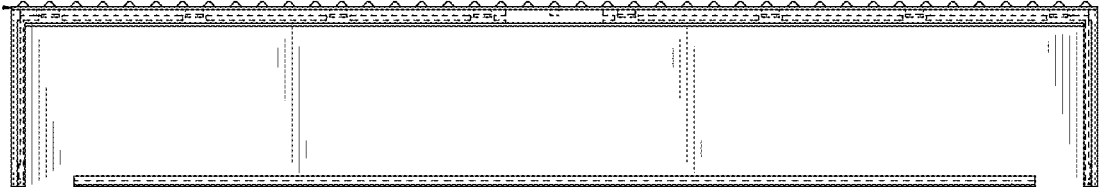


FIG. 8

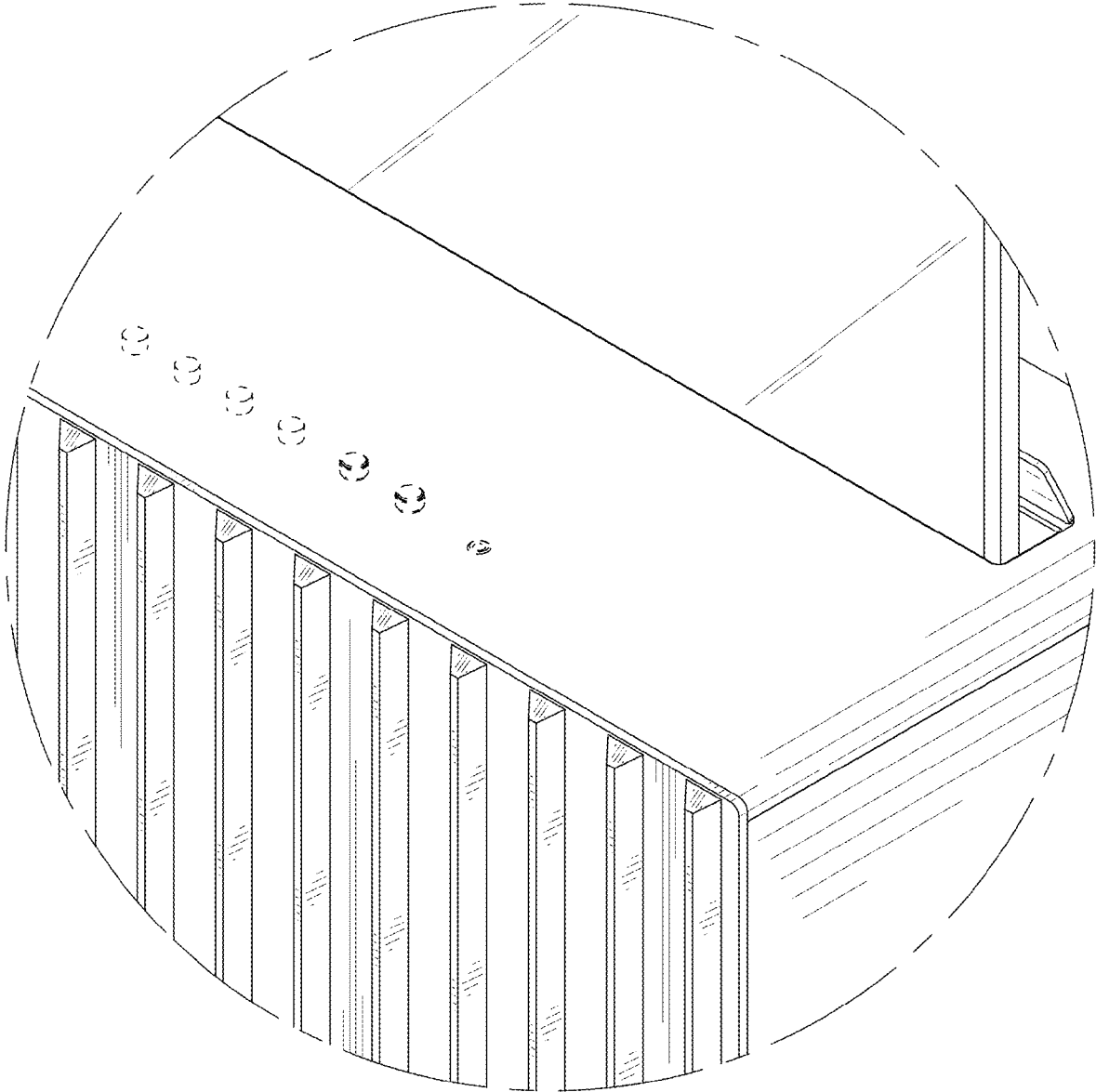


FIG. 9

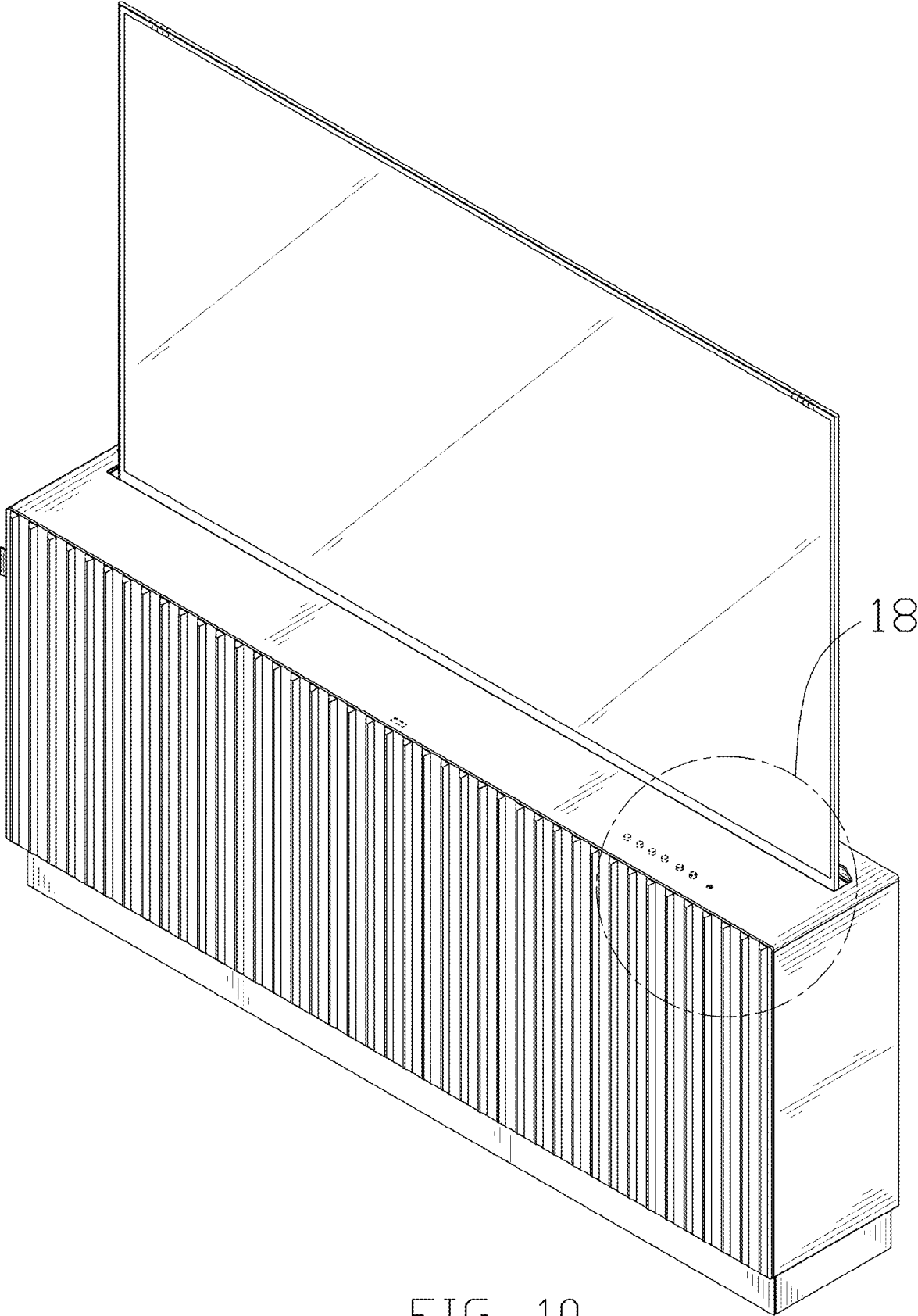


FIG. 10

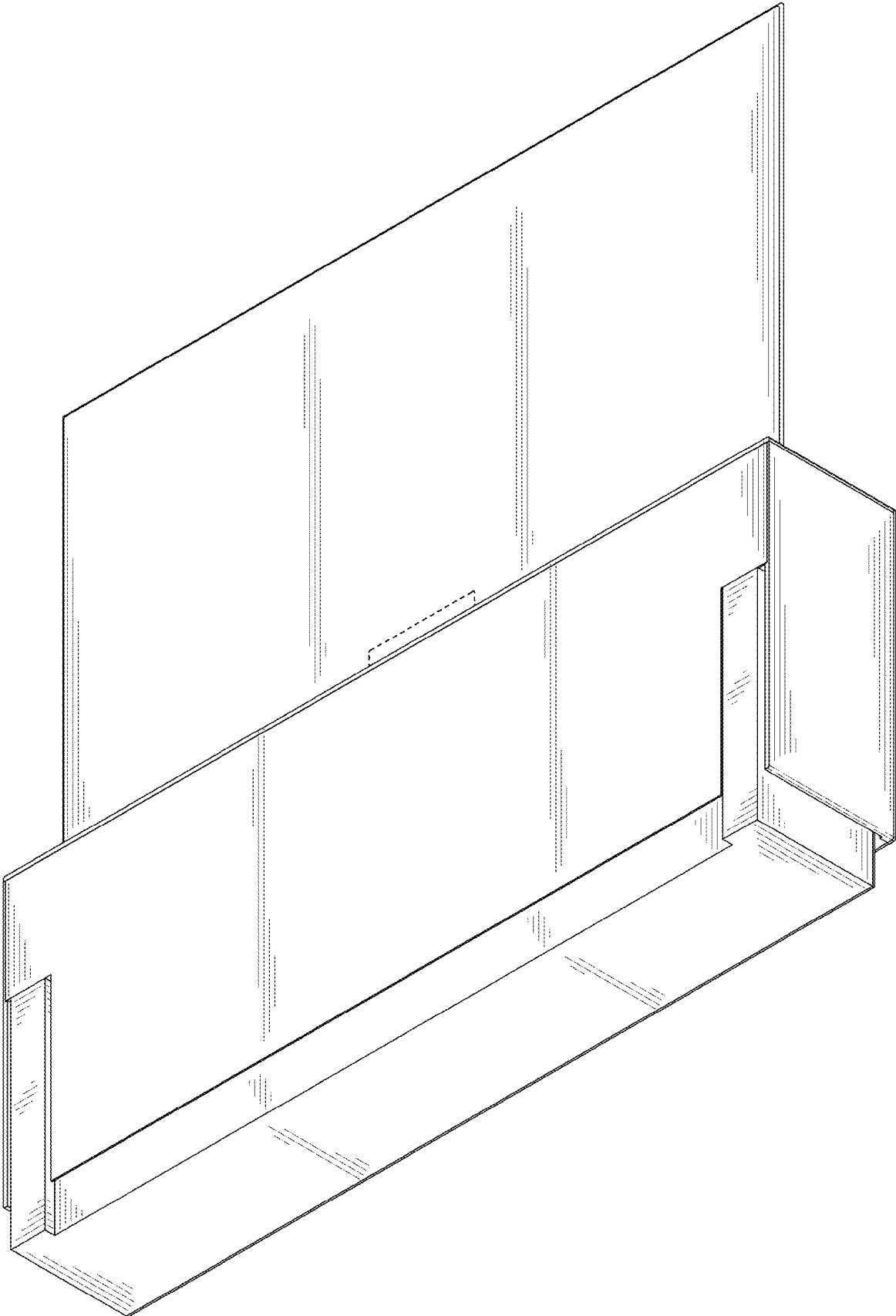


FIG. 11

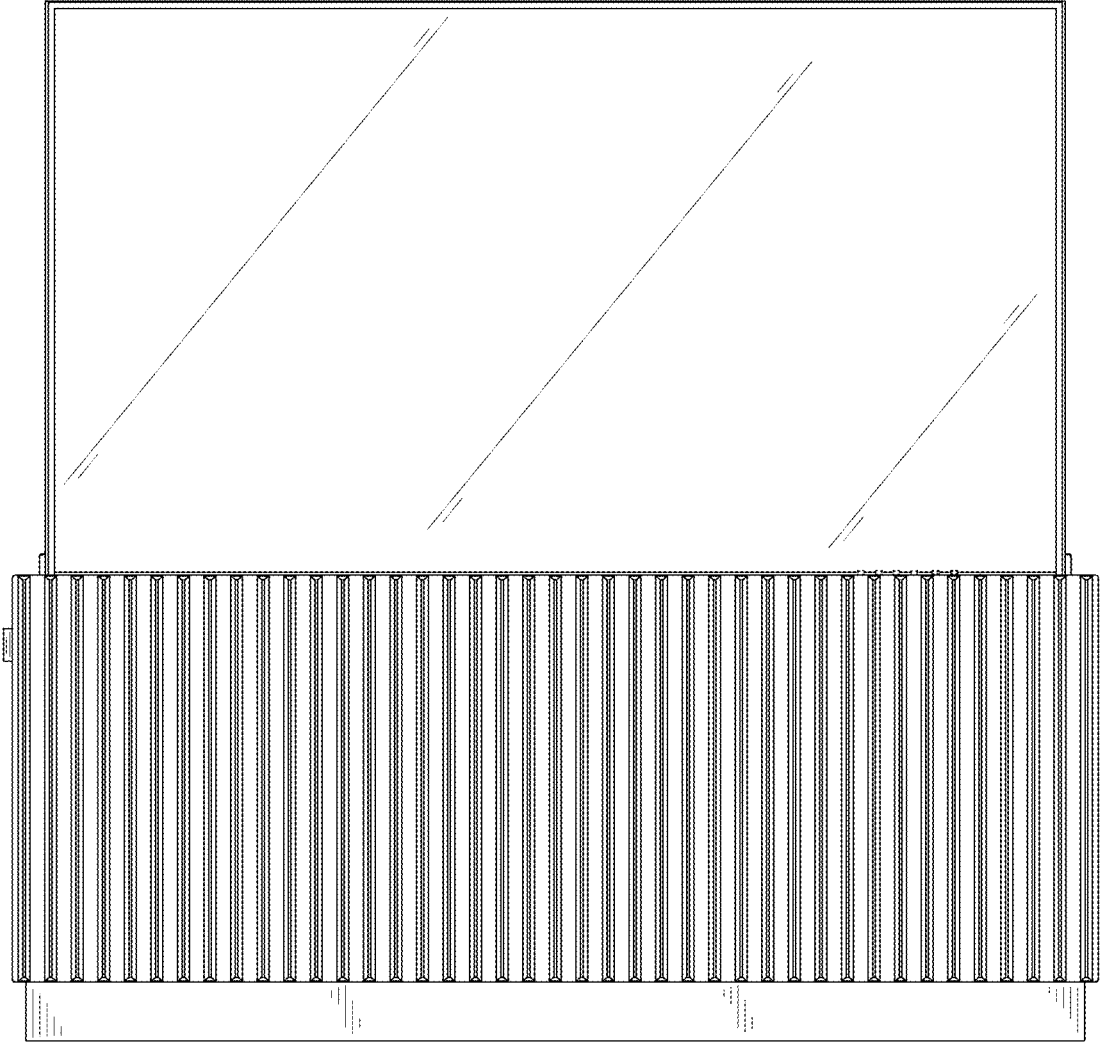


FIG. 12

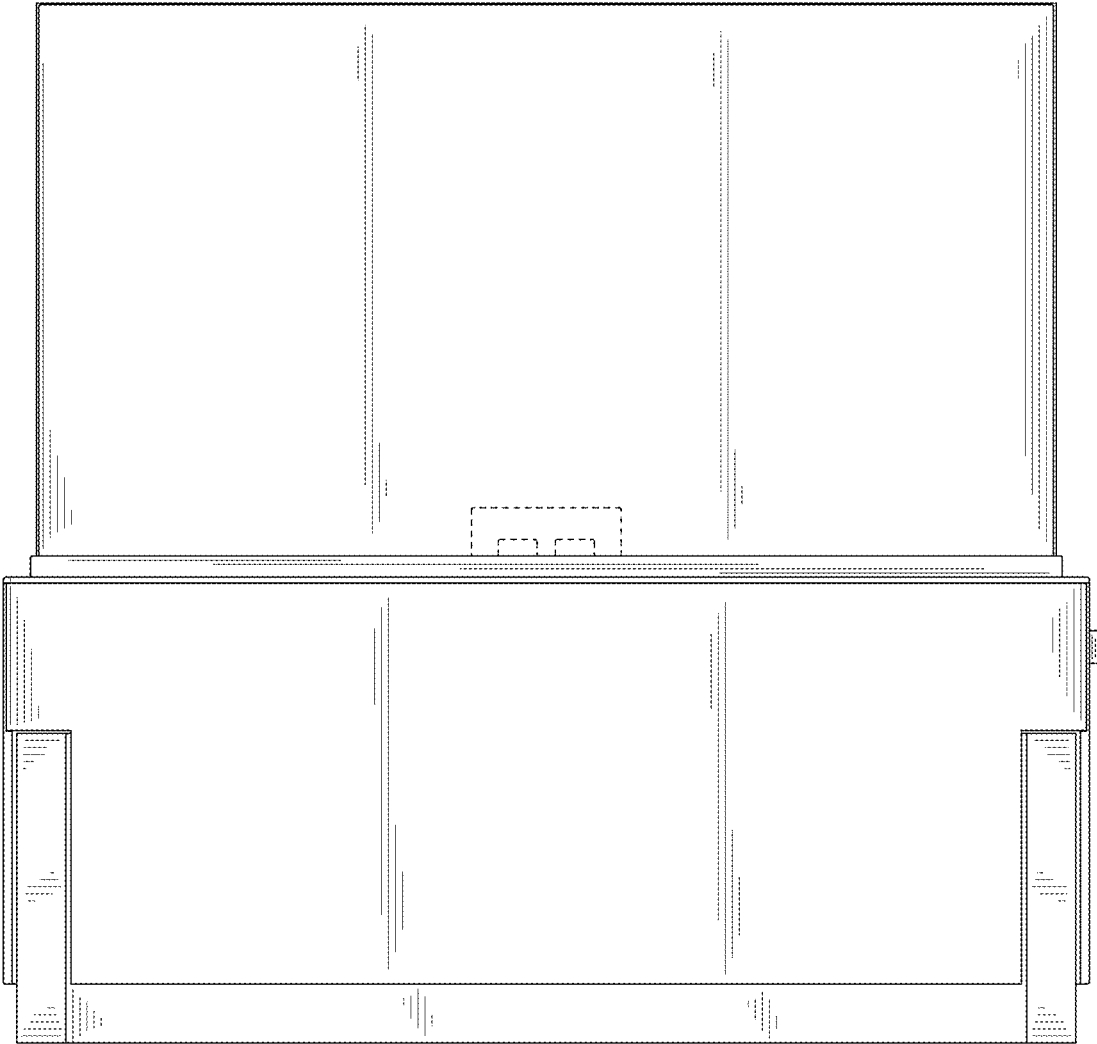


FIG. 13

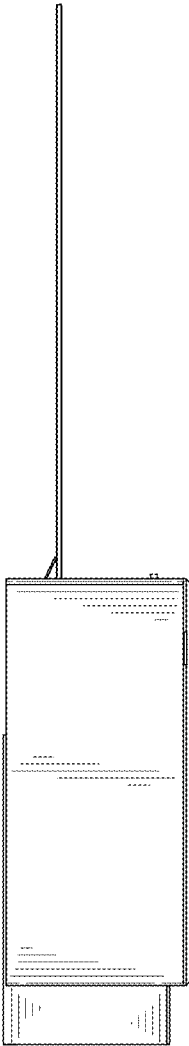


FIG. 14



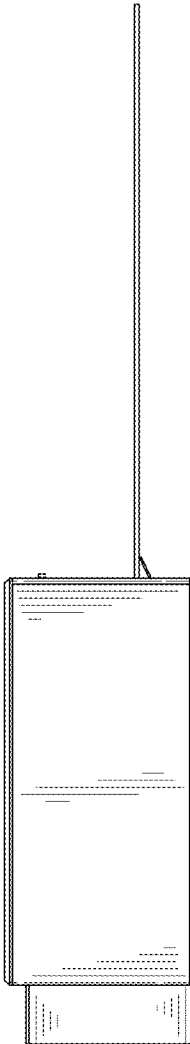


FIG. 15

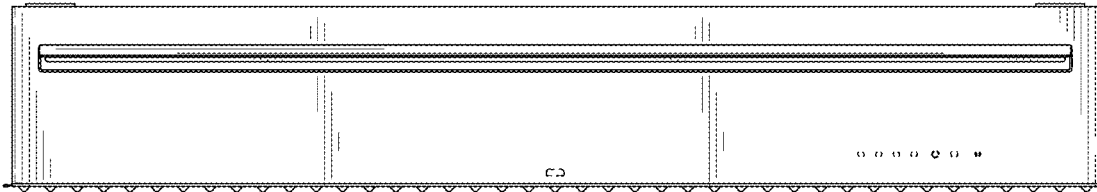


FIG. 16

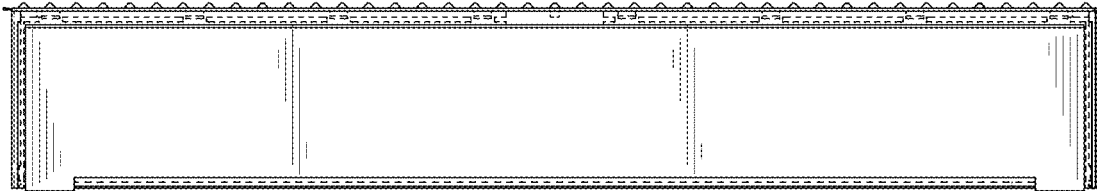


FIG. 17

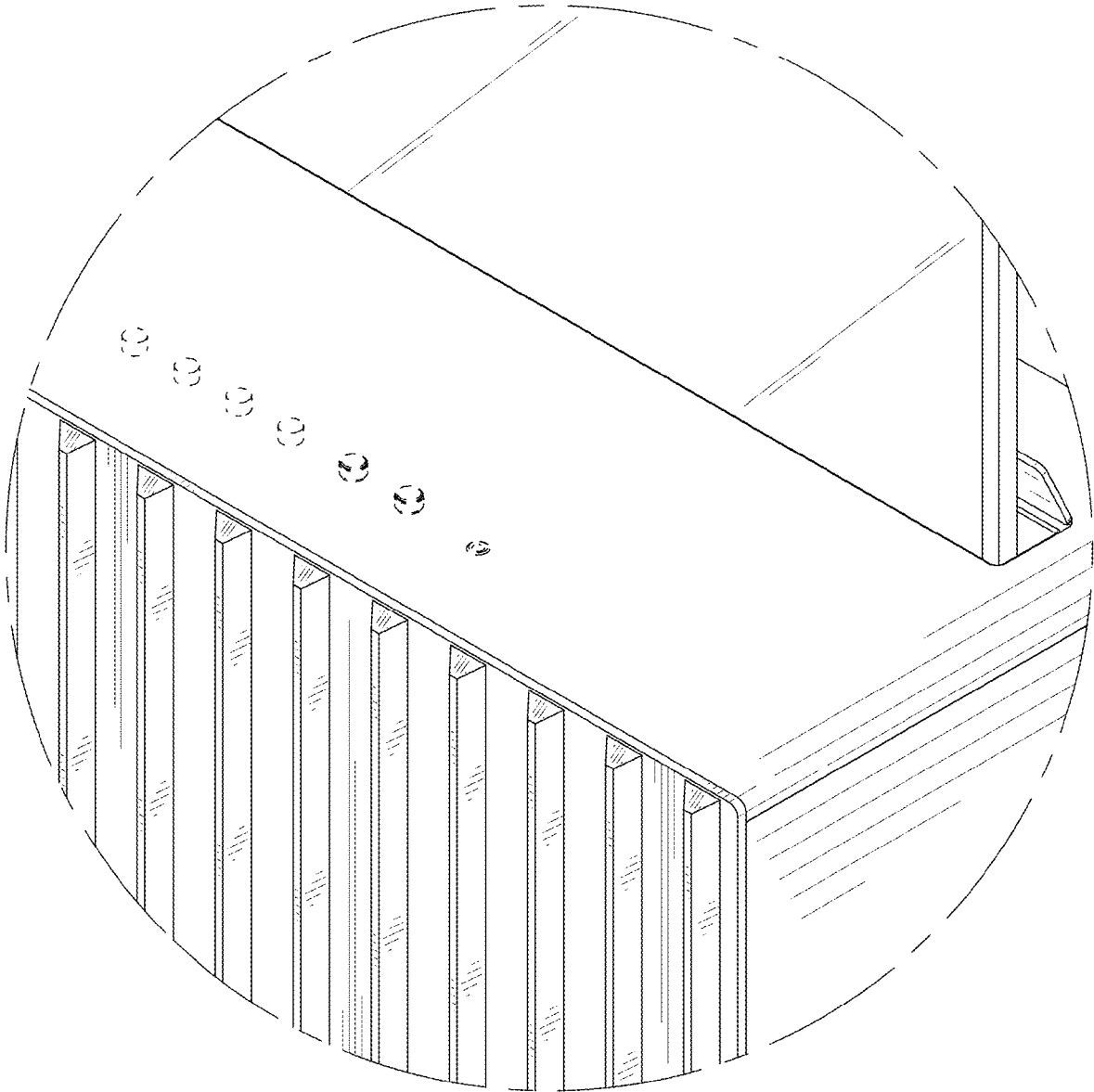


FIG. 18