

(12) UK Patent Application (19) GB (11) 2 371 158 (13) A

(43) Date of Printing by UK Office 17.07.2002

(21) Application No 0206899.7

(22) Date of Filing 04.10.2000

(30) Priority Data

(31) 99233900 (32) 05.10.1999 (33) GB

(86) International Application Data

PCT/GB00/03807 En 04.10.2000

(87) International Publication Data

WO01/26427 En 12.04.2001

(51) INT CL⁷

H05B 41/233 // H05B 37/02 41/295 41/38

(52) UK CL (Edition T)

H2H HB8 HLD631 H25G

(56) Documents Cited by ISA

DE 003315481 A US 5192896 A

US 4525650 A

(58) Field of Search by ISA

INT CL⁷ H05B

ONLINE: EPODOC, WPI, PAJ, INSPEC, IBM-TDB

(71) Applicant(s)

Central Research Laboratories Limited
(Incorporated in the United Kingdom)
Dawley Road, HAYES, Middlesex, UB3 1HH,
United Kingdom

(74) Agent and/or Address for Service

QED I.P. Services Limited
Dawley Road, HAYES, Middlesex, UB3 1HH,
United Kingdom

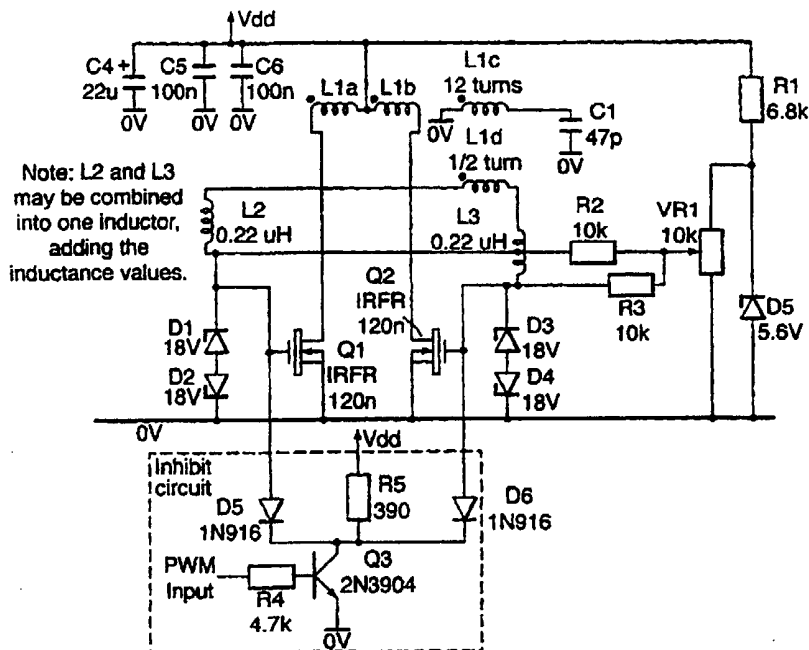
(72) Inventor(s)

Colin Julian Seymour

(54) Abstract Title

A power oscillator for driving a discharge lamp

(57) A power oscillator for driving a discharge lamp includes a feedback loop adjacent the lamp, the feedback loop being coupled inductively to the magnetic field generated by the lamp in use, the loop returning power at the resonant frequency to drive the oscillators switching devices.



GB 2 371 158 A