



US00D860723S

(12) **United States Design Patent**
Gallagher

(10) **Patent No.:** **US D860,723 S**

(45) **Date of Patent:** **** Sep. 24, 2019**

(54) **DISPENSER VALVE**

(71) Applicant: **Kenneth John Gallagher**, Las Vegas,
NV (US)

(72) Inventor: **Kenneth John Gallagher**, Las Vegas,
NV (US)

(**) Term: **15 Years**

(21) Appl. No.: **29/679,972**

(22) Filed: **Feb. 12, 2019**

4,720,076	A *	1/1988	Hyde	B67D 1/1416	222/509
5,449,144	A *	9/1995	Kowalics	B67D 1/125	251/104
D482,235	S *	11/2003	Yui	D7/397	
D525,828	S *	8/2006	Daniels, Jr.	D7/398	
D563,192	S *	3/2008	Barry	D23/245	
D582,209	S *	12/2008	Thomas	D7/394	
D637,867	S *	5/2011	Wang	D7/397	
D640,897	S *	7/2011	Chung	D7/394	
D719,403	S *	12/2014	Halioua	D7/397	
8,955,723	B2 *	2/2015	Minica	B67D 1/0082	222/129.1
D799,896	S *	10/2017	Westrick	D7/398	
D811,555	S *	2/2018	Garland	D23/255	
D843,780	S *	3/2019	Larson	D7/398	

Related U.S. Application Data

(63) Continuation-in-part of application No. 29/635,856,
filed on Feb. 2, 2018.

(51) **LOC (12) Cl.** **07-99**

(52) **U.S. Cl.**
USPC **D7/398**; D7/397; D23/245; D23/247

(58) **Field of Classification Search**
USPC D7/313, 300, 306, 398, 397; D23/238,
D23/245, 247, 255, 249, 257; 222/505;
141/326; 99/275, 280; 251/331
CPC B67D 1/125; F16K 41/103
See application file for complete search history.

References Cited

U.S. PATENT DOCUMENTS

D189,904	S *	3/1961	Seltsam	D23/238
3,109,904	A *	11/1963	Koertge	H01H 50/54
					335/192
3,207,472	A *	9/1965	Seltsam	F16K 41/103
					251/263

* cited by examiner

Primary Examiner — Marianne N Pandozzi

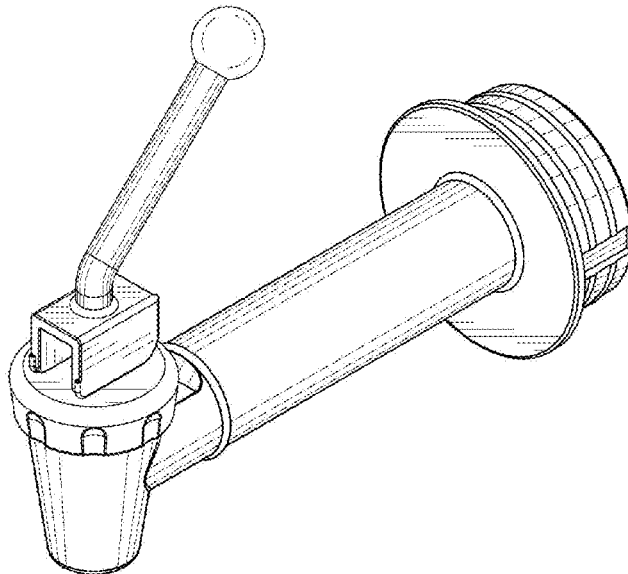
(57) **CLAIM**

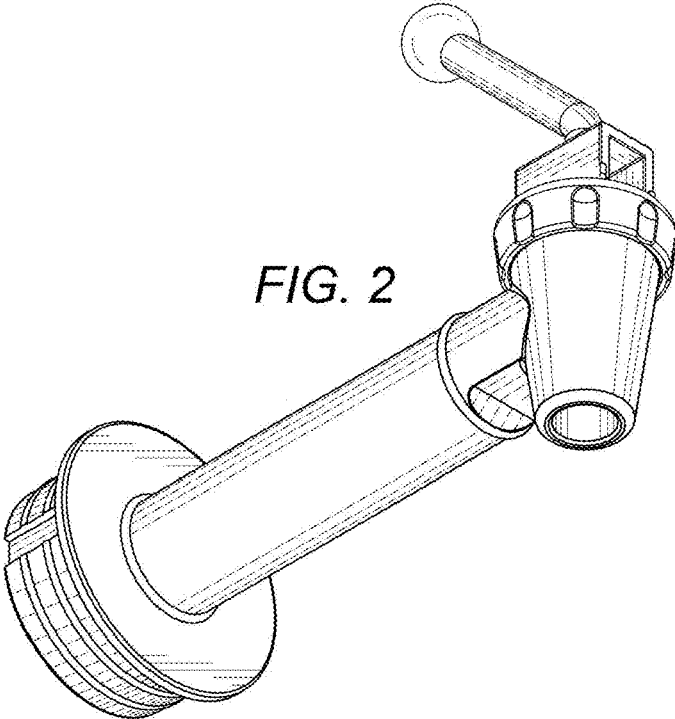
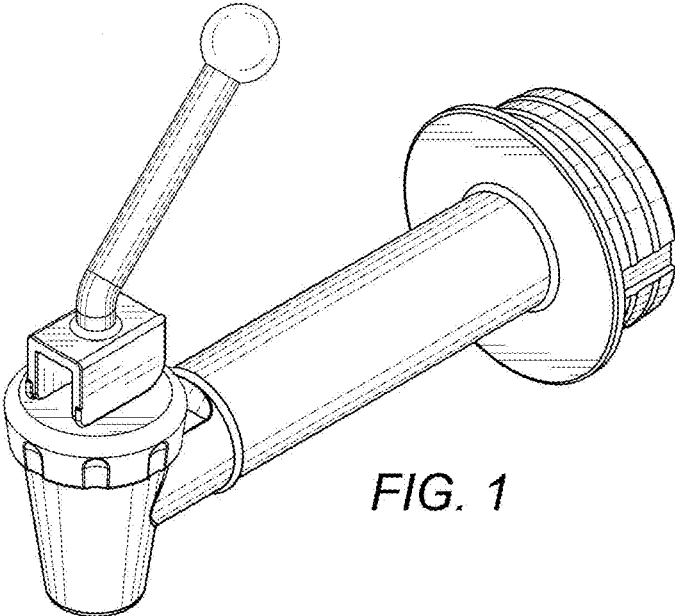
The ornamental design for a dispenser valve, as shown and described.

DESCRIPTION

FIG. 1—is a left side perspective view of a dispenser valve showing my new design;
FIG. 2—is a right side perspective view thereof;
FIG. 3—is a front elevational view thereof;
FIG. 4—is a rear elevational view thereof;
FIG. 5—is a top plan view thereof;
FIG. 6—is a bottom plan view thereof;
FIG. 7—is a left side elevational view thereof;
FIG. 8—is a right side elevational view thereof; and,
FIG. 9—is a rear perspective view thereof.

1 Claim, 5 Drawing Sheets





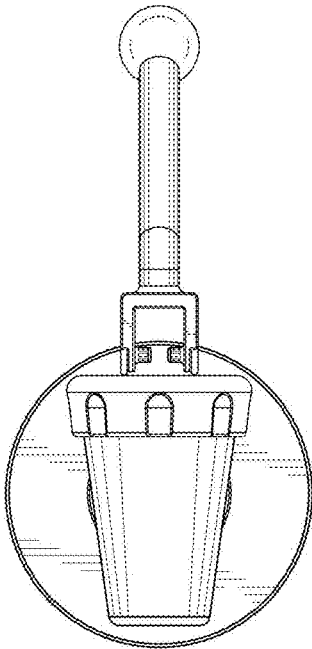


FIG. 3

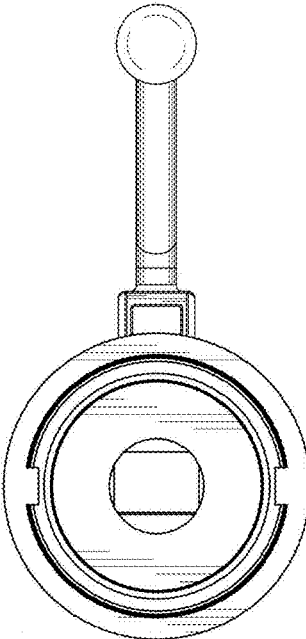


FIG. 4

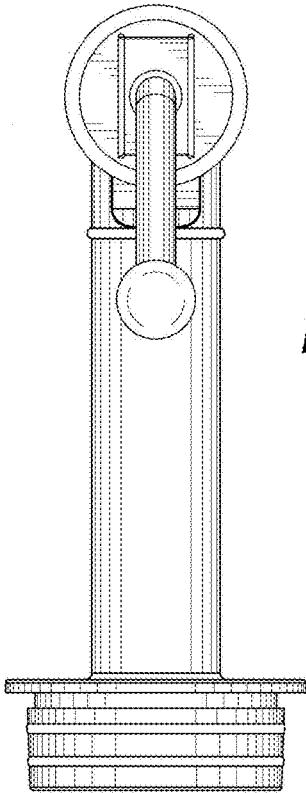


FIG. 5

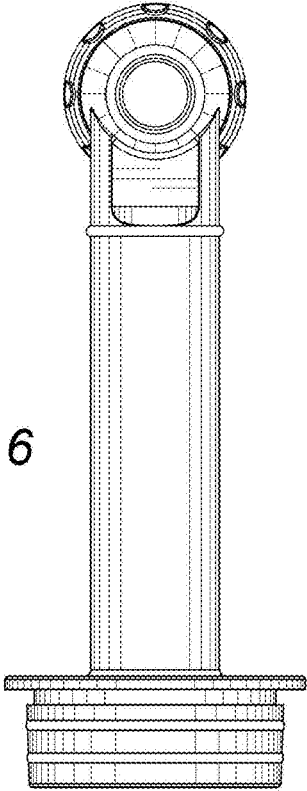
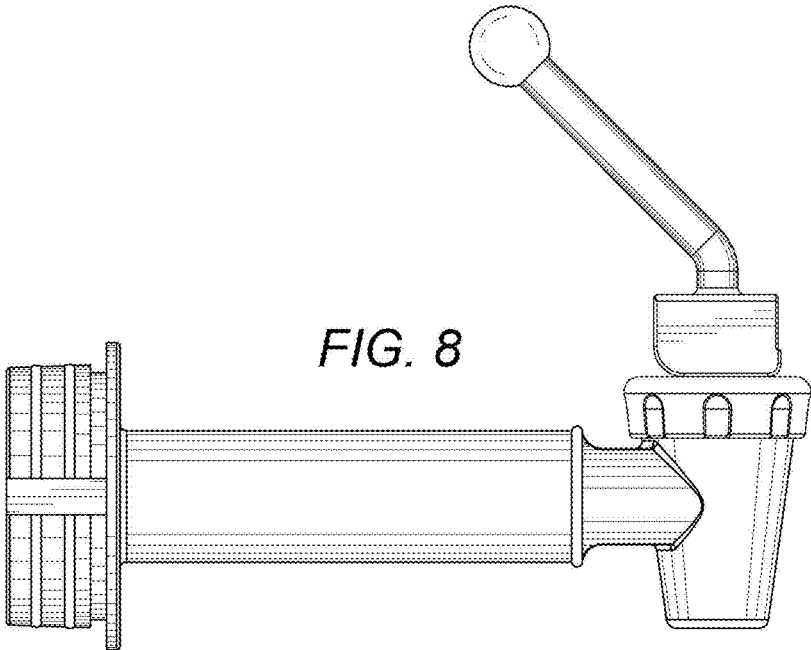
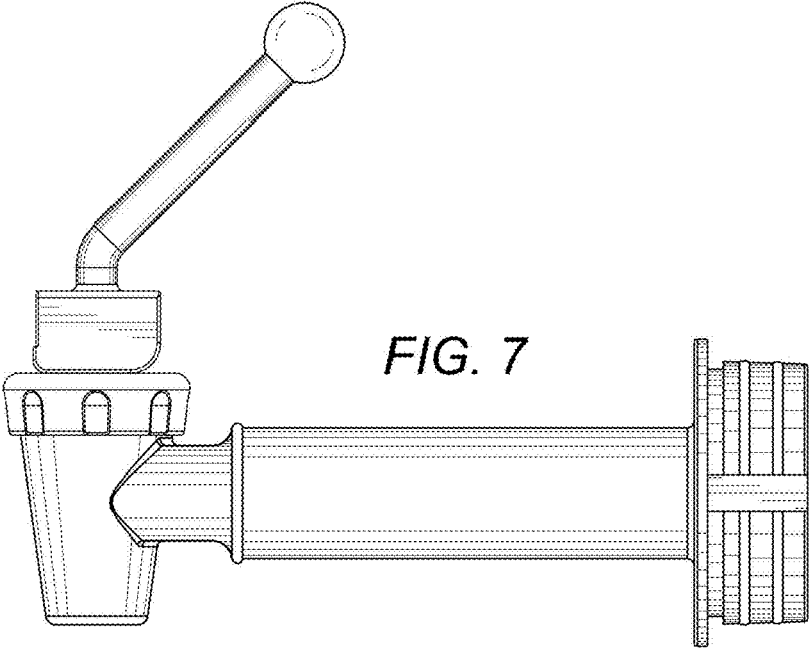


FIG. 6



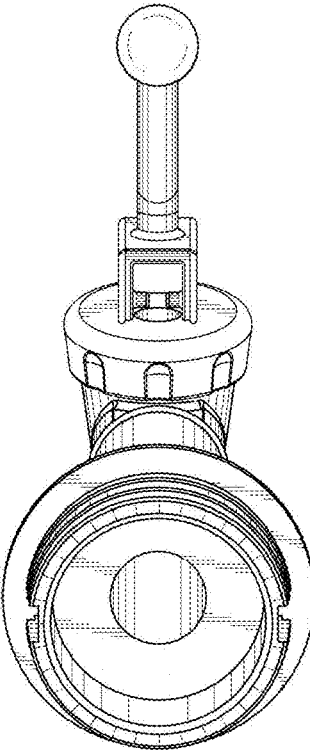


FIG.9