



US00D718260S

(12) **United States Design Patent**  
**Mellingen et al.**

(10) **Patent No.:** **US D718,260 S**  
(45) **Date of Patent:** **\*\* Nov. 25, 2014**

(54) **ENDPOINT MONITOR**

(75) Inventors: **Torkel Mellingen**, Oslo (NO); **Kristian Magnus Ostensen**, Oslo (NO)

(73) Assignee: **Cisco Technology, Inc.**, San Jose, CA (US)

(\*\*) Term: **14 Years**

(21) Appl. No.: **29/420,282**

(22) Filed: **May 7, 2012**

(30) **Foreign Application Priority Data**

Nov. 7, 2011 (NO) ..... 20110887

(51) **LOC (10) Cl.** ..... **14-03**

(52) **U.S. Cl.**  
USPC ..... **D14/126**

(58) **Field of Classification Search**

CPC ..... H04N 21/42224; H04N 2005/443;  
H04N 21/4122; H04N 21/41407; H04N  
21/4222; H04N 21/43615; H04N 21/43635;  
H04N 5/4403; H04N 5/64; H04N 5/655;  
H04N 5/645; H04N 7/00  
USPC ..... D14/126, 132, 127, 129, 128, 371, 317,  
D14/130; 720/600, 605, 655; 455/347;  
248/917, 918, 919, 920, 921, 922, 923;  
348/836, 838, 180, 184, 325, 739,  
348/333.01, 375; D10/15, 26; 273/148 B;  
345/104, 133, 156, 168, 87, 173, 102;  
312/7.2; D26/66; 16/202; 361/679.55

See application file for complete search history.

(56) **References Cited**

U.S. PATENT DOCUMENTS

D229,348 S *	11/1973	Khazuhiro et al. ....	D14/126
D510,920 S *	10/2005	Tandberg et al. ....	D14/127
D531,146 S *	10/2006	Lin .....	D14/126
D542,243 S *	5/2007	Lewis .....	D14/126
D588,560 S *	3/2009	Mellingen et al. ....	D14/126
D597,975 S *	8/2009	Ohno .....	D14/126
D615,054 S *	5/2010	Mellingen et al. ....	D14/127
D615,514 S *	5/2010	Mellingen et al. ....	D14/126
D623,619 S *	9/2010	Roed et al. ....	D14/126
D626,103 S *	10/2010	Buzzard et al. ....	D14/126
D671,083 S *	11/2012	Kim et al. ....	D14/126

\* cited by examiner

*Primary Examiner* — Robert M Spear

*Assistant Examiner* — Eliza Bennett-Hattan

(74) *Attorney, Agent, or Firm* — Lempia Summerfield Katz LLC

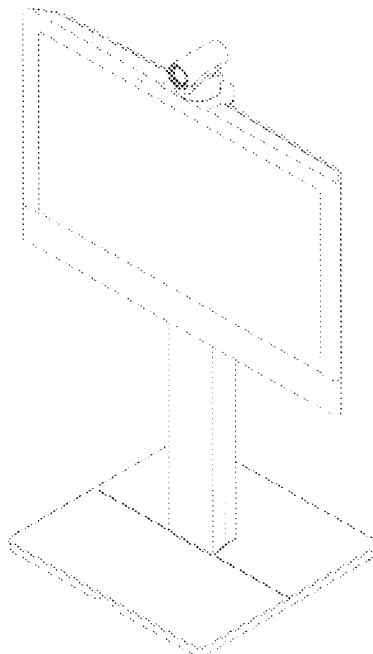
(57) **CLAIM**

The ornamental design for an endpoint monitor, as shown and described.

**DESCRIPTION**

FIG. 1 is a front, top, and right side perspective view of an endpoint monitor;  
FIG. 2 is a front elevational view thereof;  
FIG. 3 is a rear elevational view thereof;  
FIG. 4 is a bottom plan view thereof;  
FIG. 5 is a top plan view thereof;  
FIG. 6 is a left side elevational view thereof; and,  
FIG. 7 is a right side elevational view thereof.  
The broken lines in the drawings depict environmental subject matter only and form no part of the claimed design.

**1 Claim, 7 Drawing Sheets**



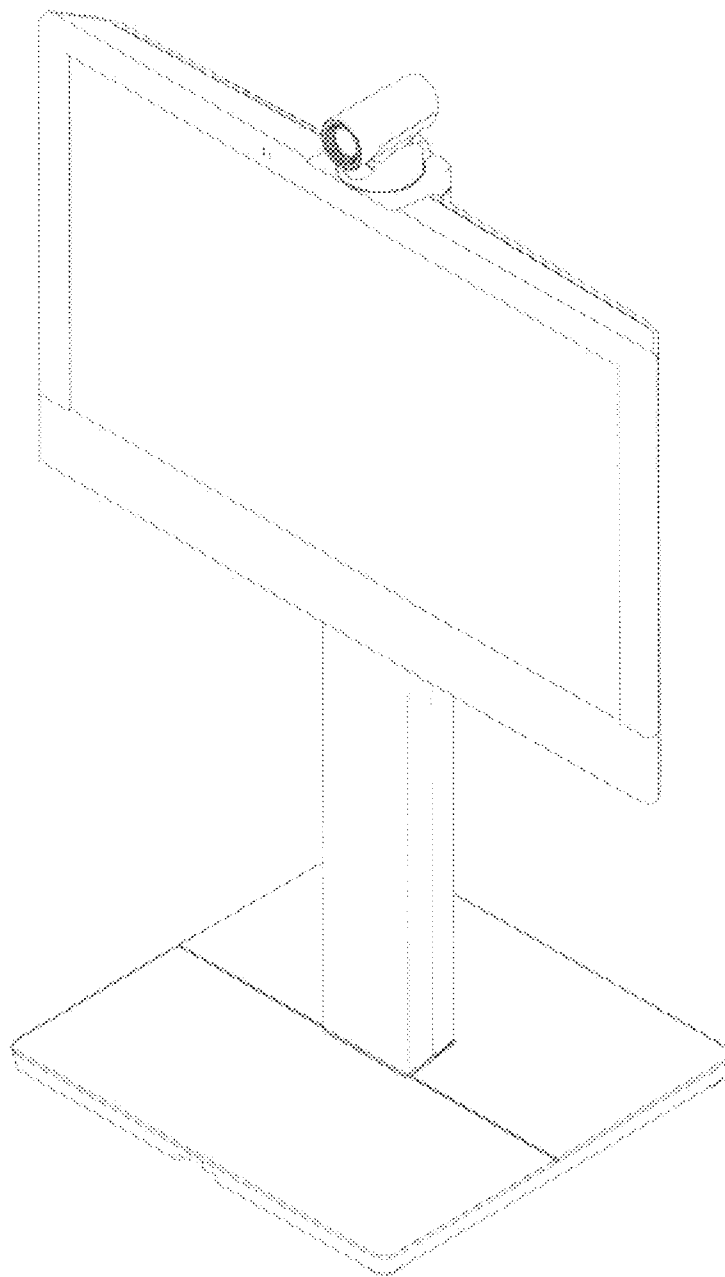


Figure 1

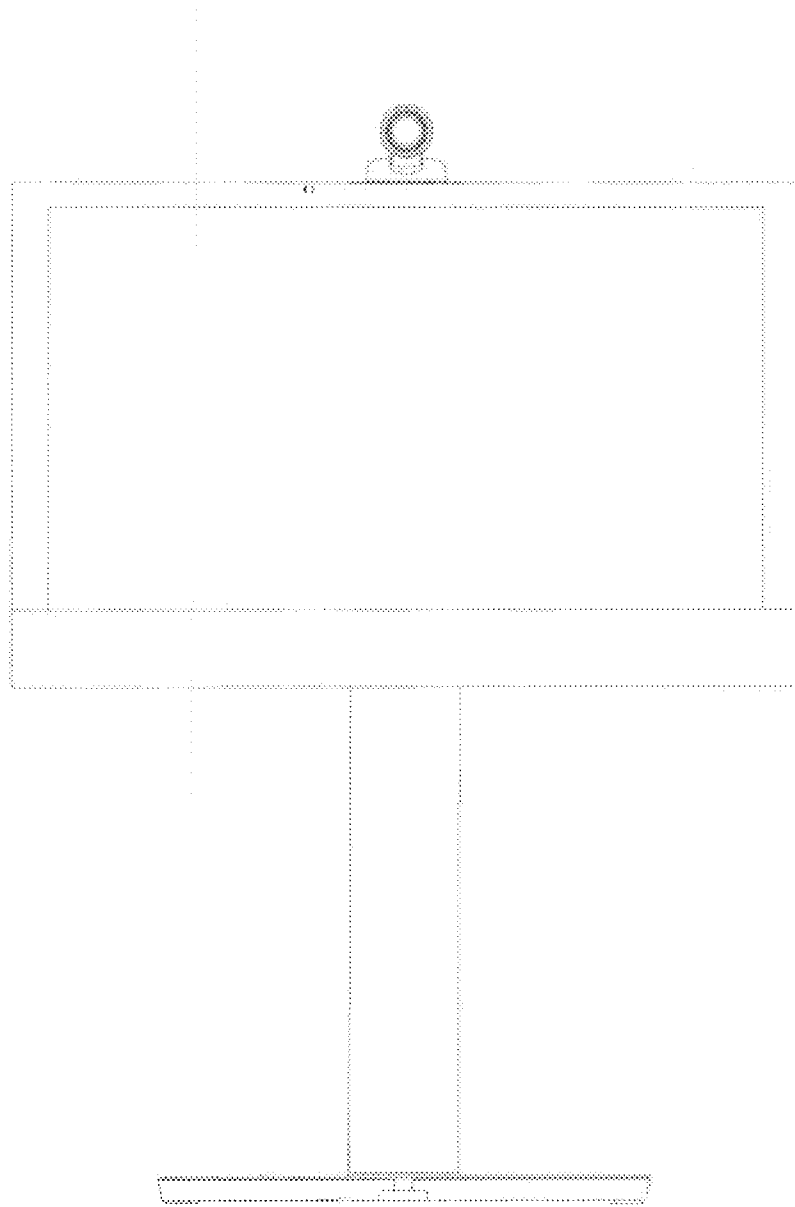


Figure 2

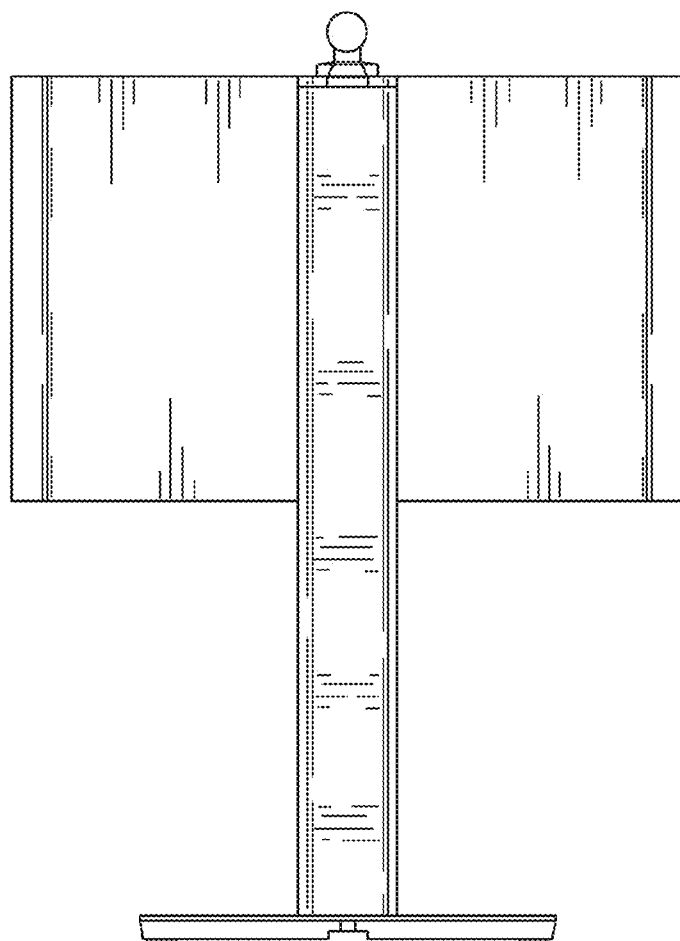


FIG. 3

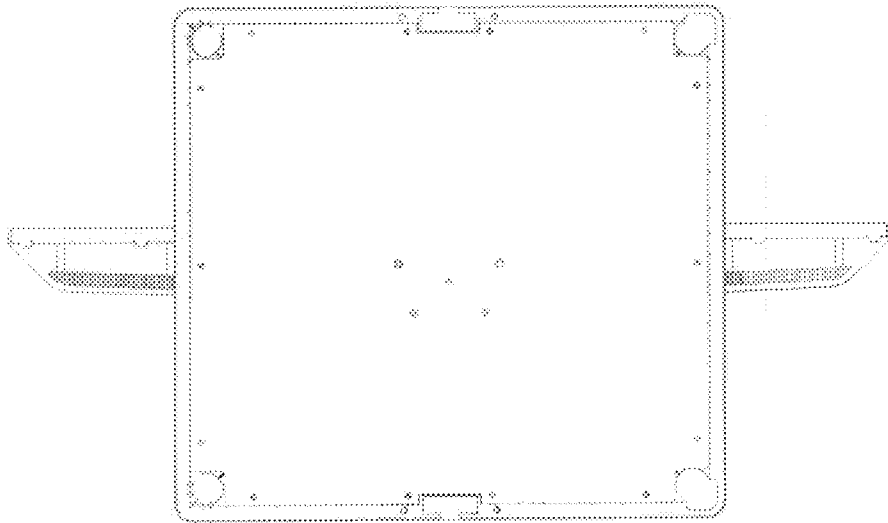


Figure 4

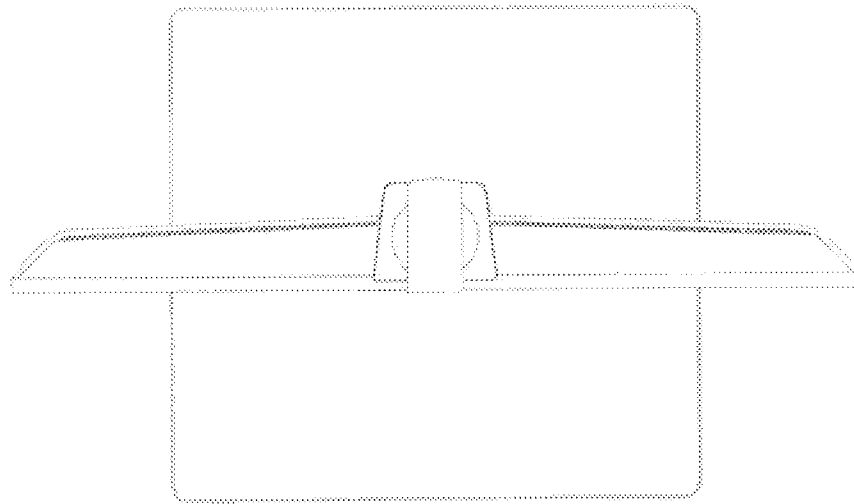


Figure 5

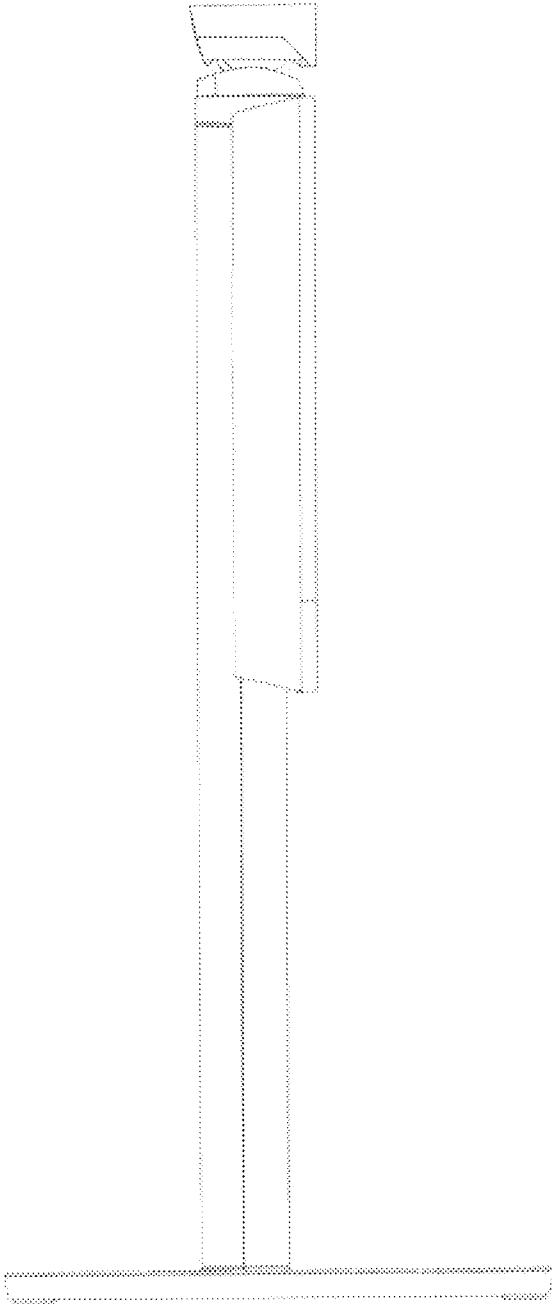


Figure 6

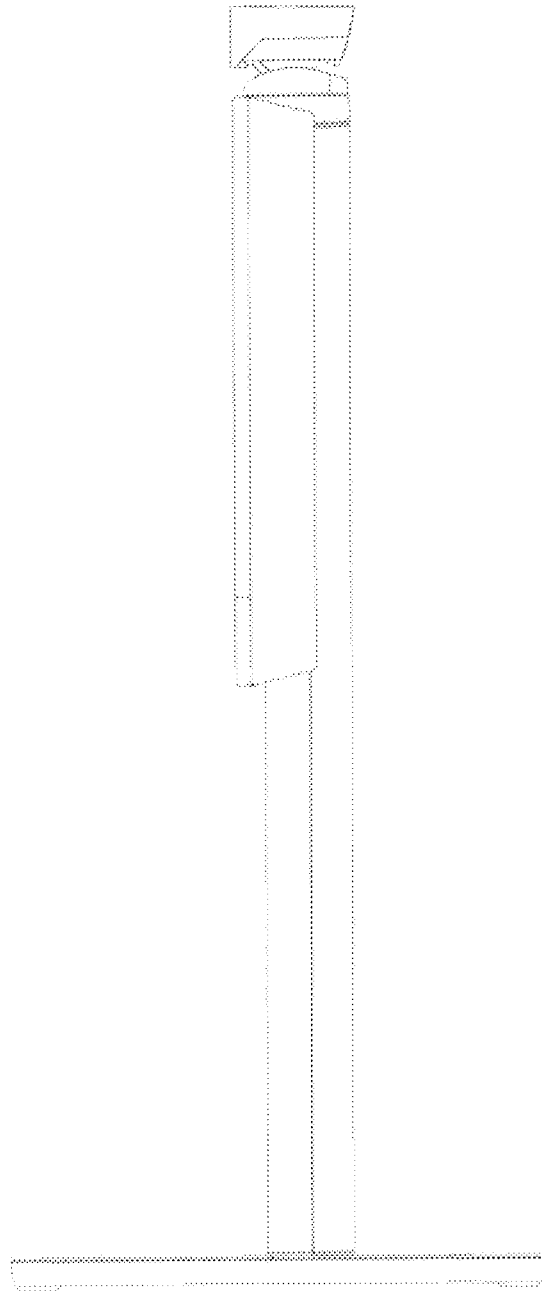


Figure 7