



US0D1001741S

(12) **United States Design Patent** (10) **Patent No.:** **US D1,001,741 S**
Egbert et al. (45) **Date of Patent:** **** Oct. 17, 2023**

- (54) **ELECTRICAL OUTLET**
- (71) Applicant: **Jasco Products Company LLC**,
Oklahoma City, OK (US)
- (72) Inventors: **Ryan Egbert**, Oklahoma City, OK
(US); **Cameron Trice**, Oklahoma City,
OK (US)
- (73) Assignee: **Jasco Products Company LLC**,
Oklahoma City, OK (US)

D646,638 S	11/2011	Peterson et al.	
D663,267 S *	7/2012	Kim	D13/110
D666,156 S *	8/2012	Auguste	D13/156
D760,167 S *	6/2016	Kusano	D13/138.1
D798,806 S *	10/2017	Soriano	D13/108
D824,855 S	8/2018	Eshelman et al.	
D884,642 S	5/2020	Cheng	
D906,249 S	12/2020	Hasan	
D924,157 S *	7/2021	Kaplan	D13/146
D942,950 S *	2/2022	Archambault	D13/137.4
D973,595 S *	12/2022	Egbert	D13/138.2
D973,596 S *	12/2022	Egbert	D13/138.2

(**) Term: **15 Years**

(21) Appl. No.: **29/830,008**

(22) Filed: **Mar. 9, 2022**

(51) **LOC (14) Cl.** **13-03**

(52) **U.S. Cl.**
USPC **D13/137.1**

(58) **Field of Classification Search**
USPC D13/137.1–137.4, 156, 146, 110, 133,
D13/199, 139.1–139.8, 138, 138.2
CPC H01R 13/5219
See application file for complete search history.

(56) **References Cited**

U.S. PATENT DOCUMENTS

D256,581 S	8/1980	Bartin	
D465,205 S	11/2002	Orpilla et al.	
D473,194 S *	4/2003	Lee	D13/133
D484,460 S	12/2003	Cheng et al.	
D485,239 S	1/2004	Whalin et al.	
D495,996 S	9/2004	Parel et al.	
D543,148 S *	5/2007	Suckle	D13/146
D585,378 S *	1/2009	Haber	D13/138.2
D591,680 S	5/2009	Ho'o et al.	
D610,093 S *	2/2010	Victor	D13/138.2
D623,594 S *	9/2010	Akana	D13/138.2
7,833,037 B2 *	11/2010	Reusche	H01R 13/5219

439/106

* cited by examiner

Primary Examiner — Rhea Shields

(74) *Attorney, Agent, or Firm* — Bruce P. LaBrie;
Resolution Legal Group

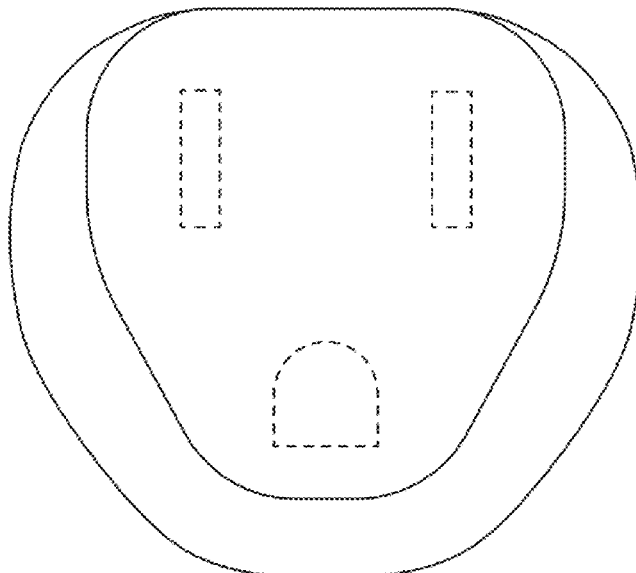
(57) **CLAIM**

The ornamental design for an electrical outlet, as shown and described.

DESCRIPTION

FIG. 1 is a front elevation view of an electrical outlet showing our new design;
 FIG. 2 is a rear elevation view thereof;
 FIG. 3 is a right side view thereof rotated 90 degrees clockwise;
 FIG. 4 is a left side view thereof rotated 90 degrees counter-clockwise;
 FIG. 5 is a bottom view thereof;
 FIG. 6 is a top view thereof;
 FIG. 7 is a bottom left front perspective view thereof; and,
 FIG. 8 is a top left front perspective view thereof.
 The structural features depicted by broken lines have been shown for the purpose of illustrating portions of the electrical outlet that form no part of the claimed design.

1 Claim, 4 Drawing Sheets



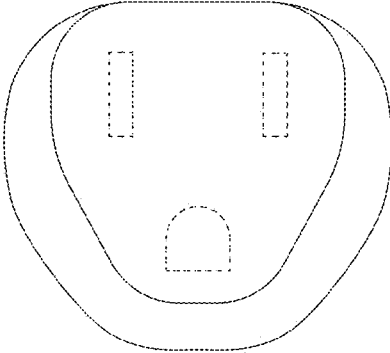


FIG. 1

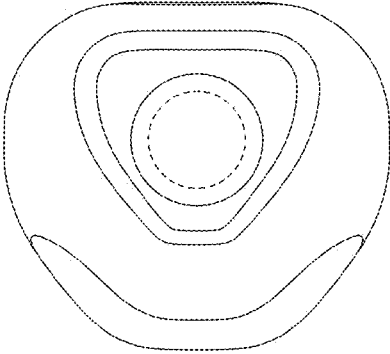


FIG. 2

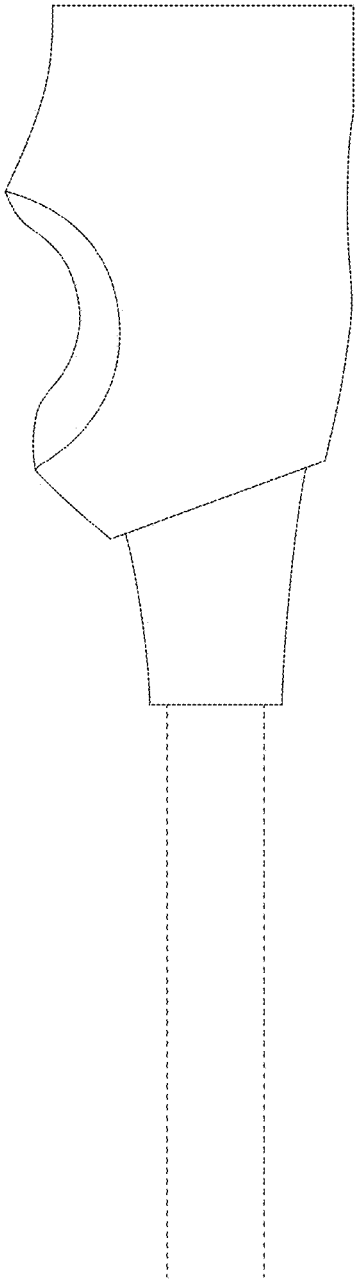


FIG. 3

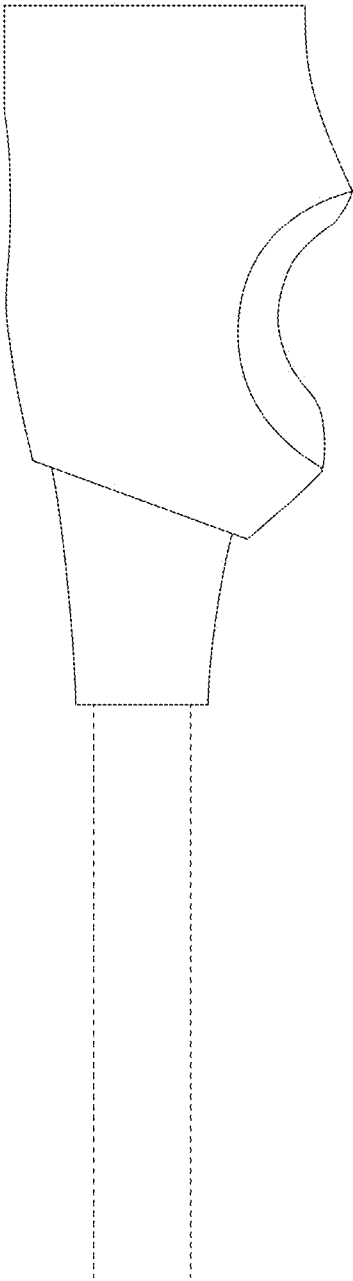


FIG. 4

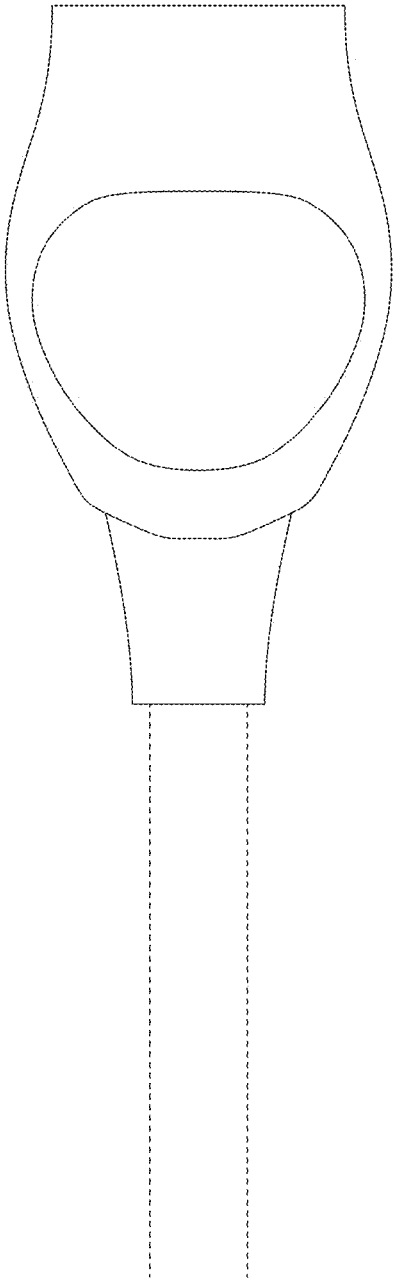


FIG. 5

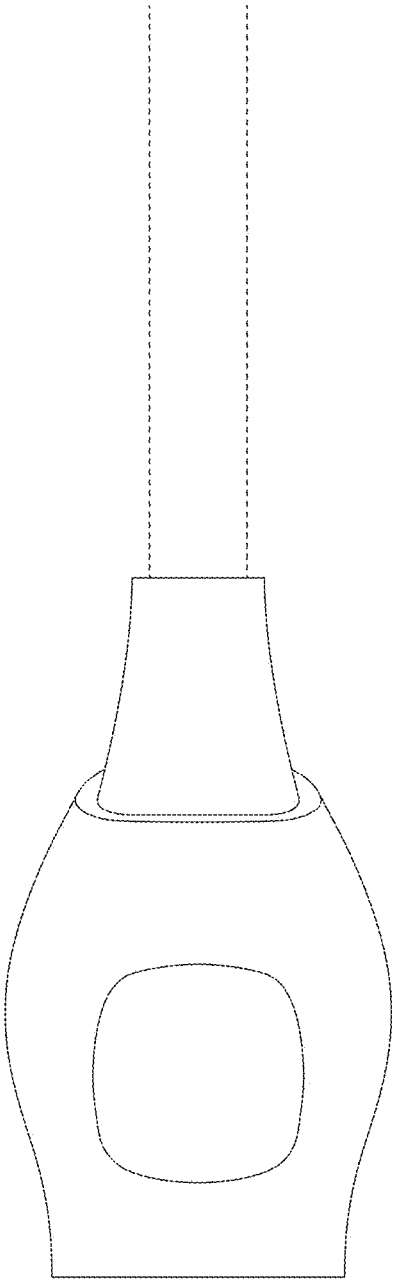


FIG. 6

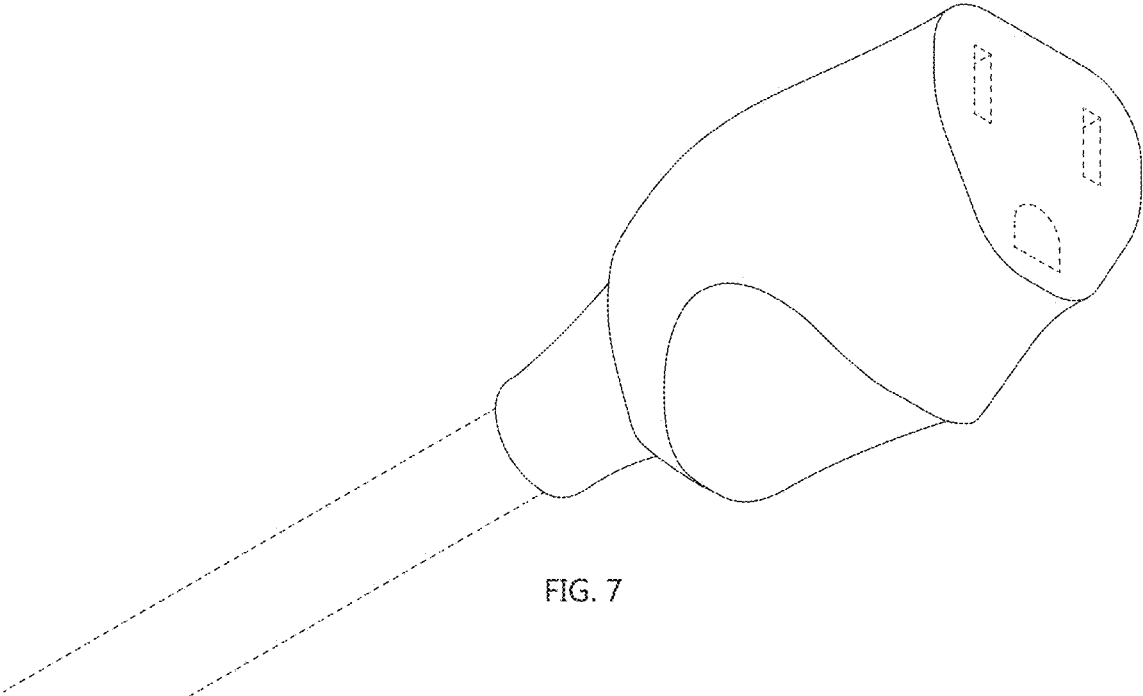


FIG. 7

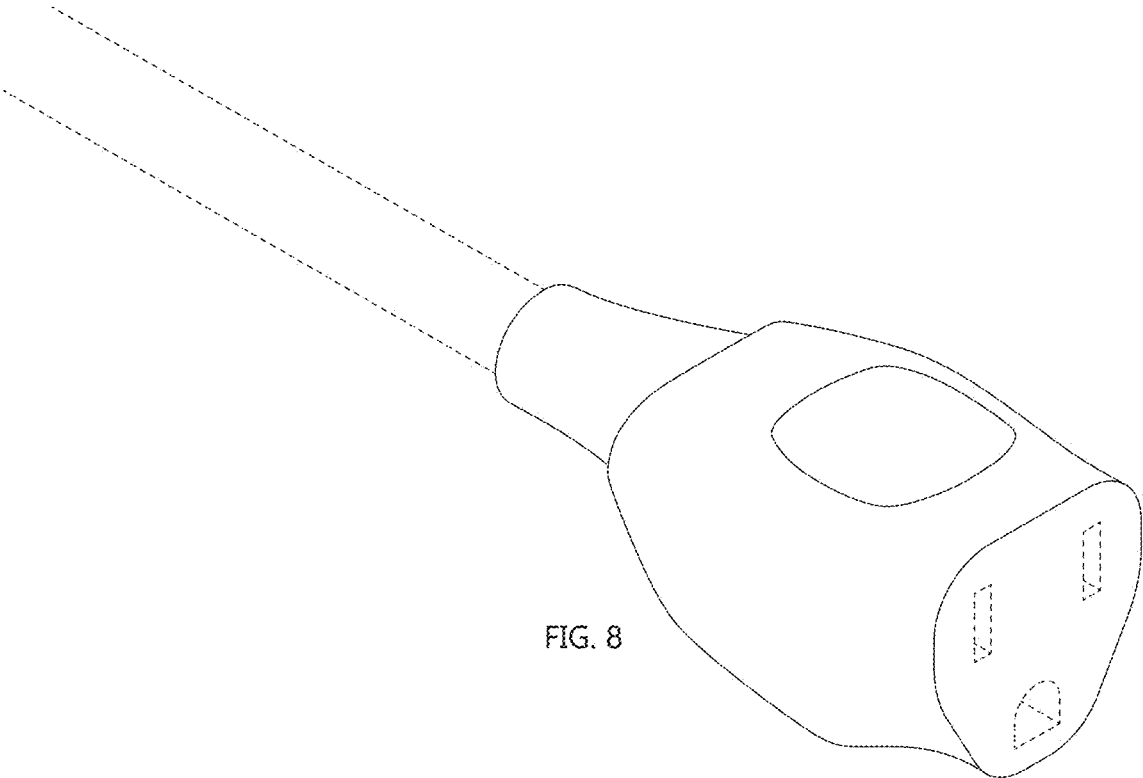


FIG. 8