



US00D367659S

United States Patent [19]

[11] **Patent Number:** **Des. 367,659**

Baker et al.

[45] **Date of Patent:** ****Mar. 5, 1996**

[54] **REFRIGERATOR DOOR ICE DISPENSER INSERT**

1985 Sweets Catalog File vol. 3 11.27a p. 9, Hotpoint. Water Dispenser.

[75] Inventors: **Charles D. Baker**, Dublin; **Douglas K. Ritterling**, Galloway, both of Ohio

Domus No. 683 May 1987 (No Page No.) White Westinghouse Refrigerator.

[73] Assignee: **White Consolidated Industries, Inc.**, Cleveland, Ohio

Primary Examiner—Sandra L. Morris
Attorney, Agent, or Firm—Pearne, Gordon, McCoy & Granger

[**] Term: **14 Years**

[21] Appl. No.: **5,942**

[57] CLAIM

[22] Filed: **Mar. 17, 1993**

An ornamental design for a refrigerator door ice dispenser insert, as shown and described.

[52] U.S. Cl. **D15/89**

[58] **Field of Search** D15/79-91; 62/340, 62/344, 389; 222/146.1, 146.6, 504; 241/282.1, DIG. 17

DESCRIPTION

[56] References Cited

U.S. PATENT DOCUMENTS

3,429,140	2/1969	White	62/389
3,537,132	11/1970	Alvarez	62/344
3,982,406	9/1976	Hanson et al.	222/146.6
4,089,436	5/1978	Marks	222/504
4,739,629	4/1988	True	62/389
5,033,273	7/1991	Buchser et al.	222/146.6

OTHER PUBLICATIONS

1985 Sweets Catalog File vol. 3 11.27a, p. 10, GE. Side-by-Side Refrigerator, Automatic Icemaker.
1985 Sweets Catalog File vol. 3 11.27a p. 8, Hotpoint. Refreshment Center.

FIG. 1 is a front elevational view of a refrigerator door ice dispenser insert, showing our new design, the broken line showing of the refrigerator is for illustrative purposes only, and forms no part of the claimed design;

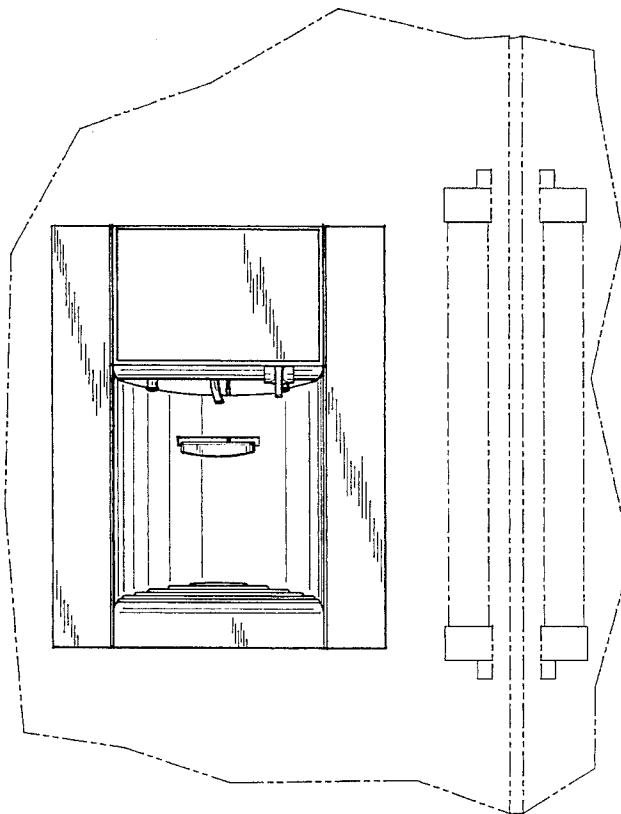
FIG. 2 is a top perspective view thereof;

FIG. 3 is a perspective view of a second embodiment thereof, the only difference being the absence of the removable spill tray; and,

FIG. 4 is a bottom perspective view of FIG. 1.

The sides not disclosed are plain and unornamented.

1 Claim, 4 Drawing Sheets



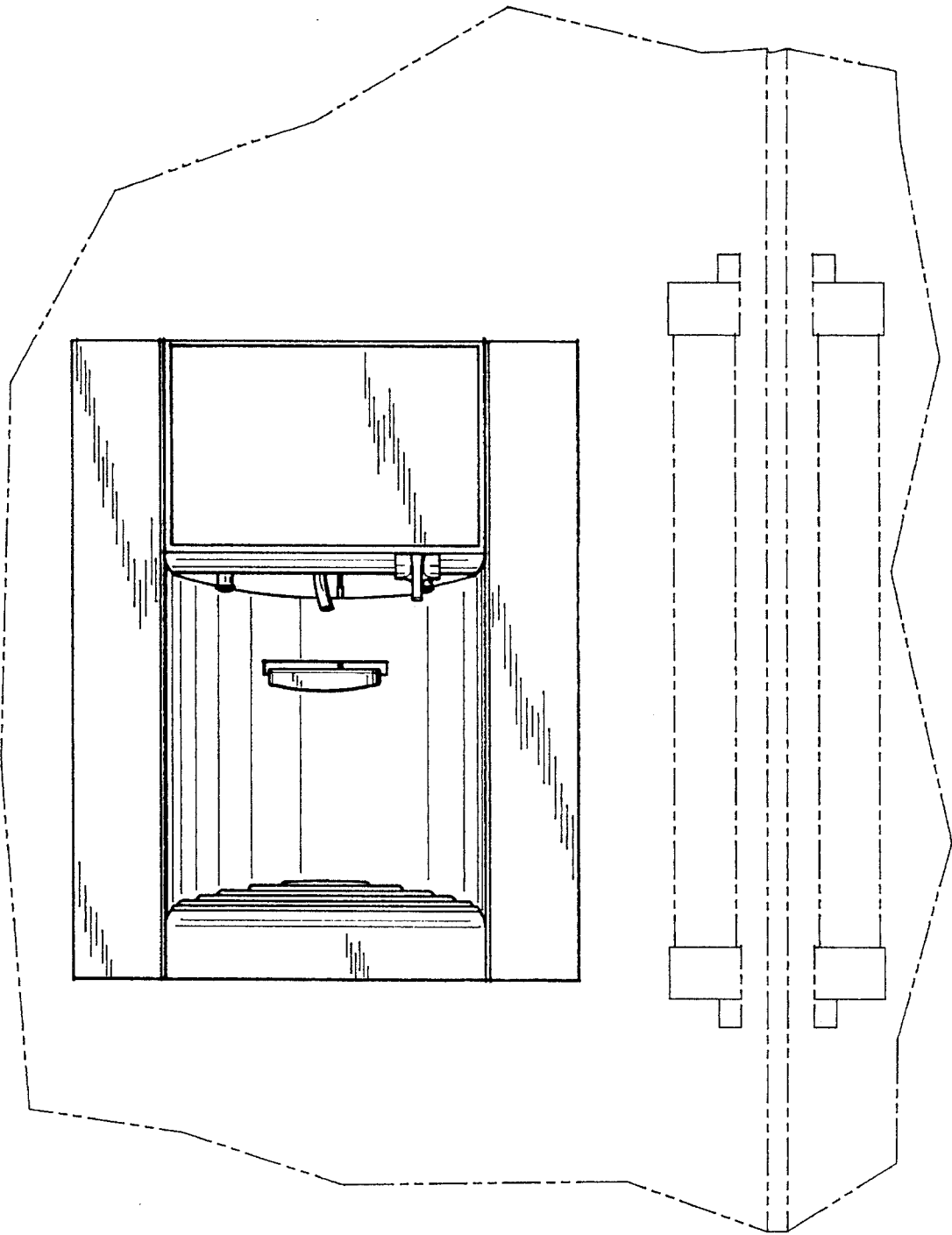


Fig. 1

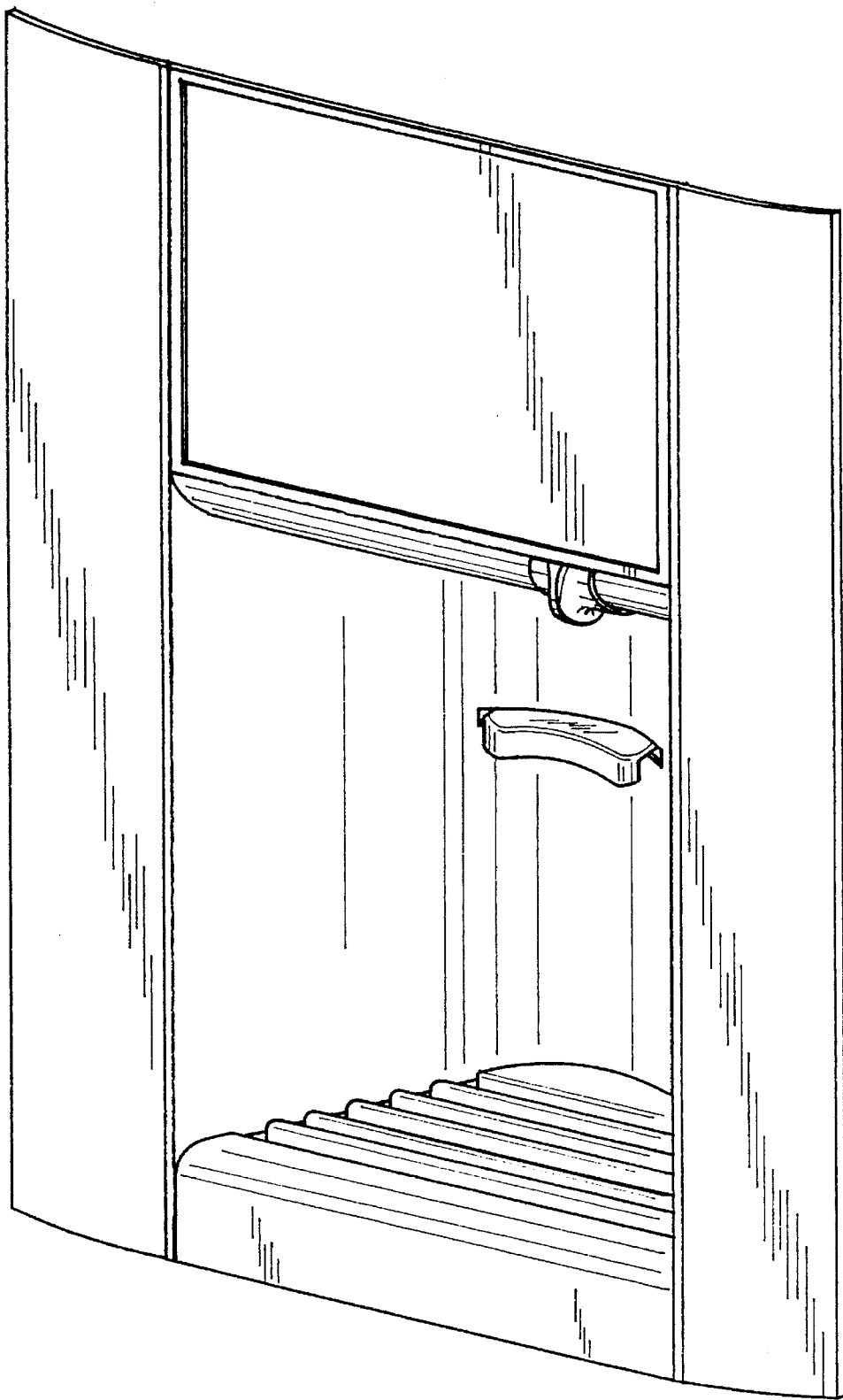


Fig. 2

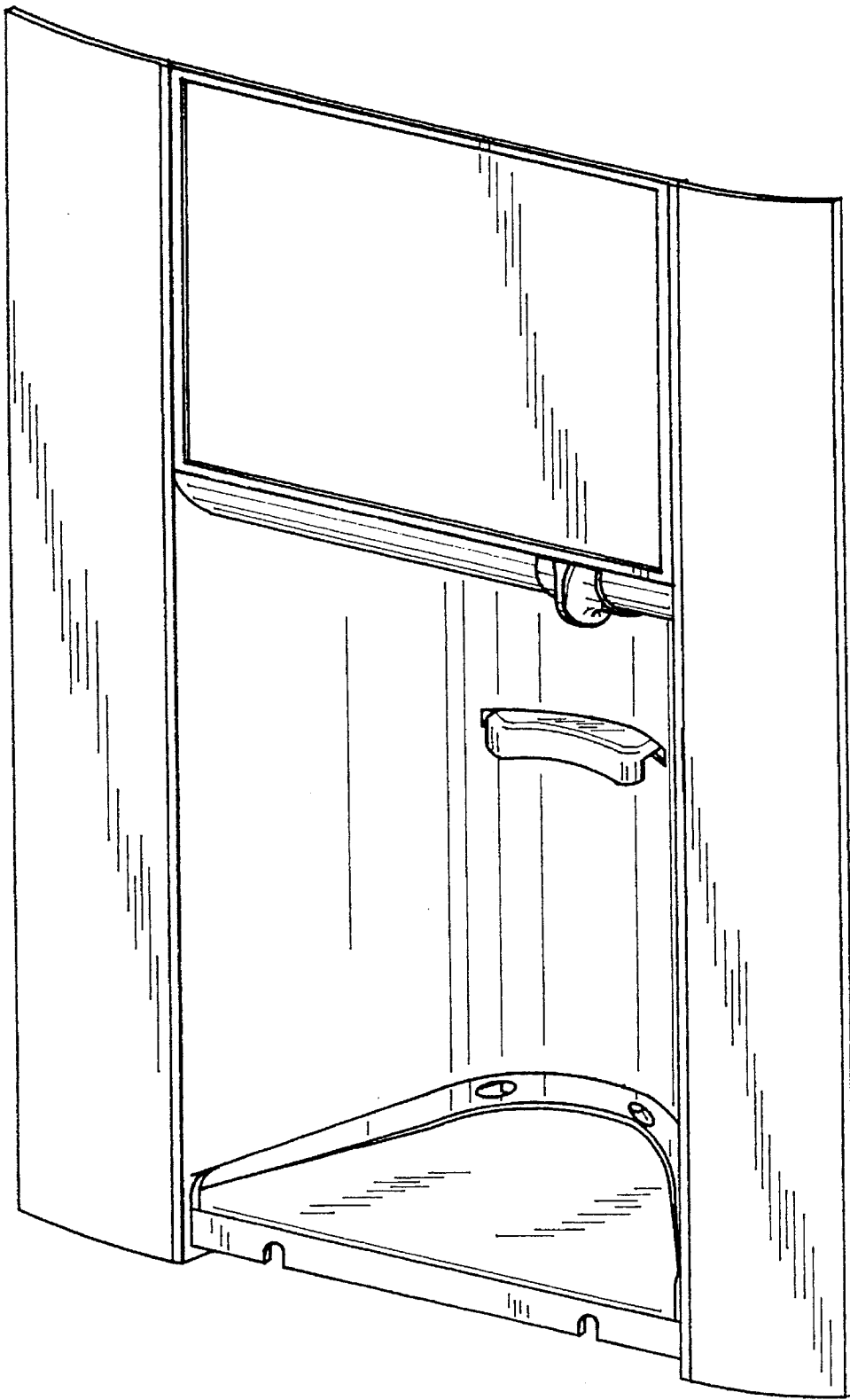


Fig. 3

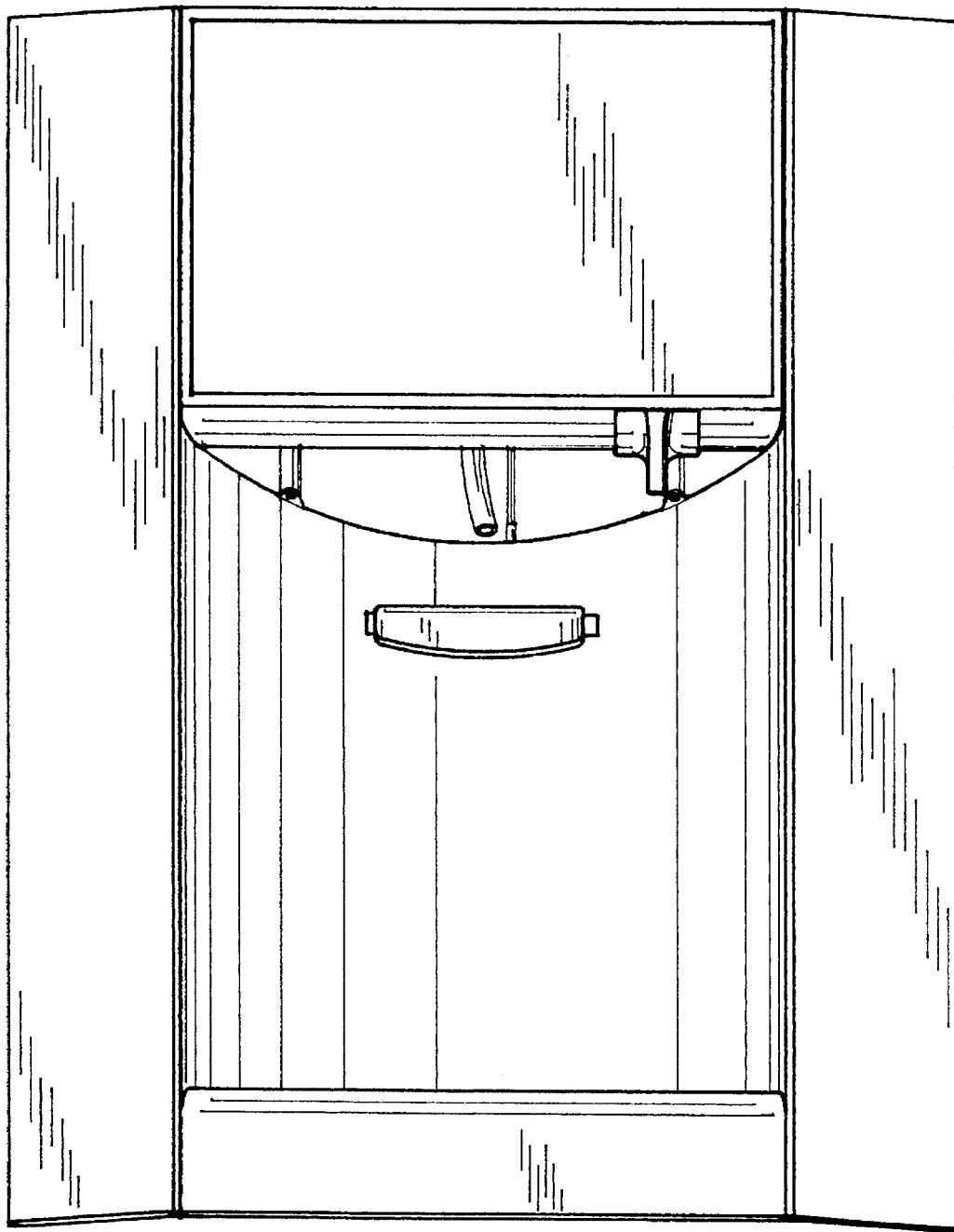


Fig.4