



US00D677647S

(12) **United States Design Patent**
Lee et al.

(10) **Patent No.:** US D677,647 S
(45) **Date of Patent:** ** Mar. 12, 2013

(54) **HEADPHONES**
(75) Inventors: **Noel Lee**, Las Vegas, NV (US); **Li Hoi Yee**, Tsuen Wan (HK)
(73) Assignee: **Monster, LLC**, Las Vegas, NV (US)
(**) Term: **14 Years**
(21) Appl. No.: **29/410,556**
(22) Filed: **Jan. 9, 2012**
(51) **LOC (9) Cl.** **14-01**
(52) **U.S. Cl.** **D14/205**
(58) **Field of Classification Search** D14/205,
D14/206, 223; D29/112; 2/209; 181/129,
181/130, 135; 379/430, 431; 381/380, 381,
381/371, 375; 455/90.3, 575.1
See application file for complete search history.

D637,182 S 5/2011 Lee et al.
D641,008 S 7/2011 Lee et al.
D642,163 S 7/2011 Lee et al.
D643,417 S 8/2011 Lee et al.
D643,418 S 8/2011 Lee et al.
D643,833 S 8/2011 Lee et al.
D657,344 S * 4/2012 Brunner et al. D14/205
D657,776 S * 4/2012 Lee et al. D14/205
D660,823 S * 5/2012 Hardi et al. D14/205
D660,824 S * 5/2012 Hardi et al. D14/205
D662,490 S * 6/2012 McSweyn D14/205
D663,716 S * 7/2012 Hardi et al. D14/205
D664,113 S * 7/2012 Katsumata et al. D14/205
D664,117 S * 7/2012 Tappeiner et al. D14/205
D666,579 S * 9/2012 Hou D14/205
D666,992 S * 9/2012 Lee et al. D14/205

* cited by examiner

Primary Examiner — Paula Greene

(74) Attorney, Agent, or Firm — LaRiviere, Grubman & Payne, LLP

(56) **References Cited**

U.S. PATENT DOCUMENTS

D254,183 S * 2/1980 Doodson D14/205
D430,140 S * 8/2000 Roman D14/205
D491,163 S * 6/2004 Green D14/205
7,072,483 B2 * 7/2006 Lenhard-Backhaus 381/383
D552,077 S * 10/2007 Brunner et al. D14/205
D563,382 S * 3/2008 Wikel D14/205
D573,581 S * 7/2008 Gondo et al. D14/205
D594,441 S 6/2009 Lee et al.
D598,901 S 8/2009 Lee et al.
D599,781 S 9/2009 Lee et al.
D600,675 S 9/2009 Lee et al.
D616,865 S * 6/2010 Marchand et al. D14/205
D617,769 S * 6/2010 Birger D14/205
D625,705 S * 10/2010 Ohori et al. D14/205
D632,668 S * 2/2011 Brunner et al. D14/205
D634,732 S * 3/2011 Kondo et al. D14/205
D637,176 S * 5/2011 Brunner et al. D14/205

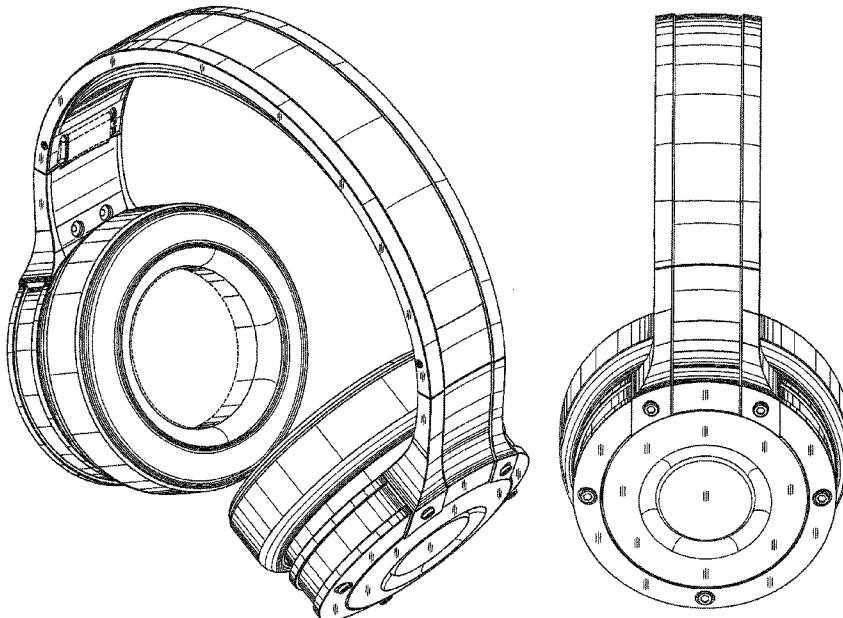
(57) **CLAIM**

The ornamental design for headphones, as shown and described.

DESCRIPTION

FIG. 1 is a front perspective view of headphones, showing our design;
FIG. 2 is front view thereof;
FIG. 3 is a rear view thereof;
FIG. 4 is a side view thereof;
FIG. 5 is an opposing side view thereof;
FIG. 6 is a top view thereof; and,
FIG. 7 is a bottom view thereof.
The broken lines showing the environment are for illustrative purposes only and form no part of the claimed design.

1 Claim, 5 Drawing Sheets



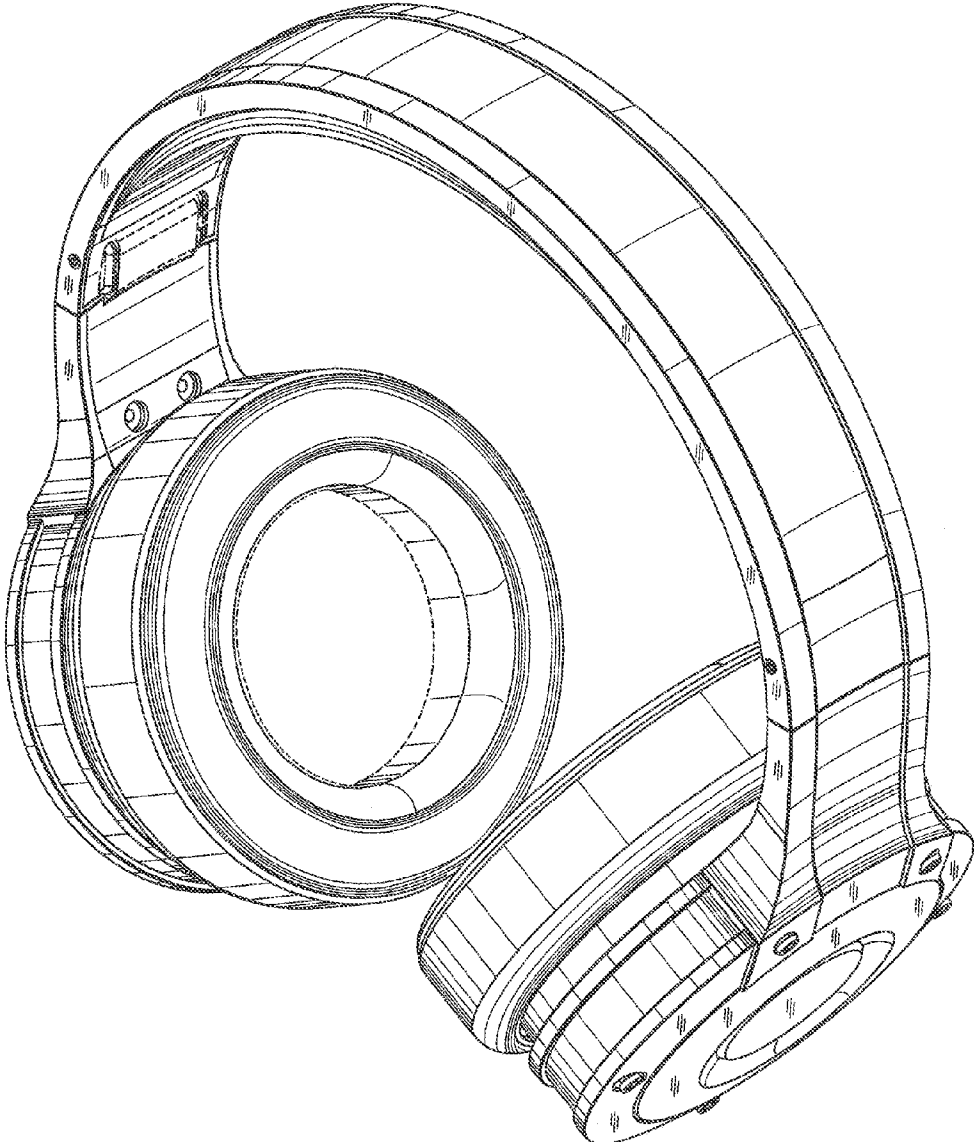


Figure 1



Figure 2

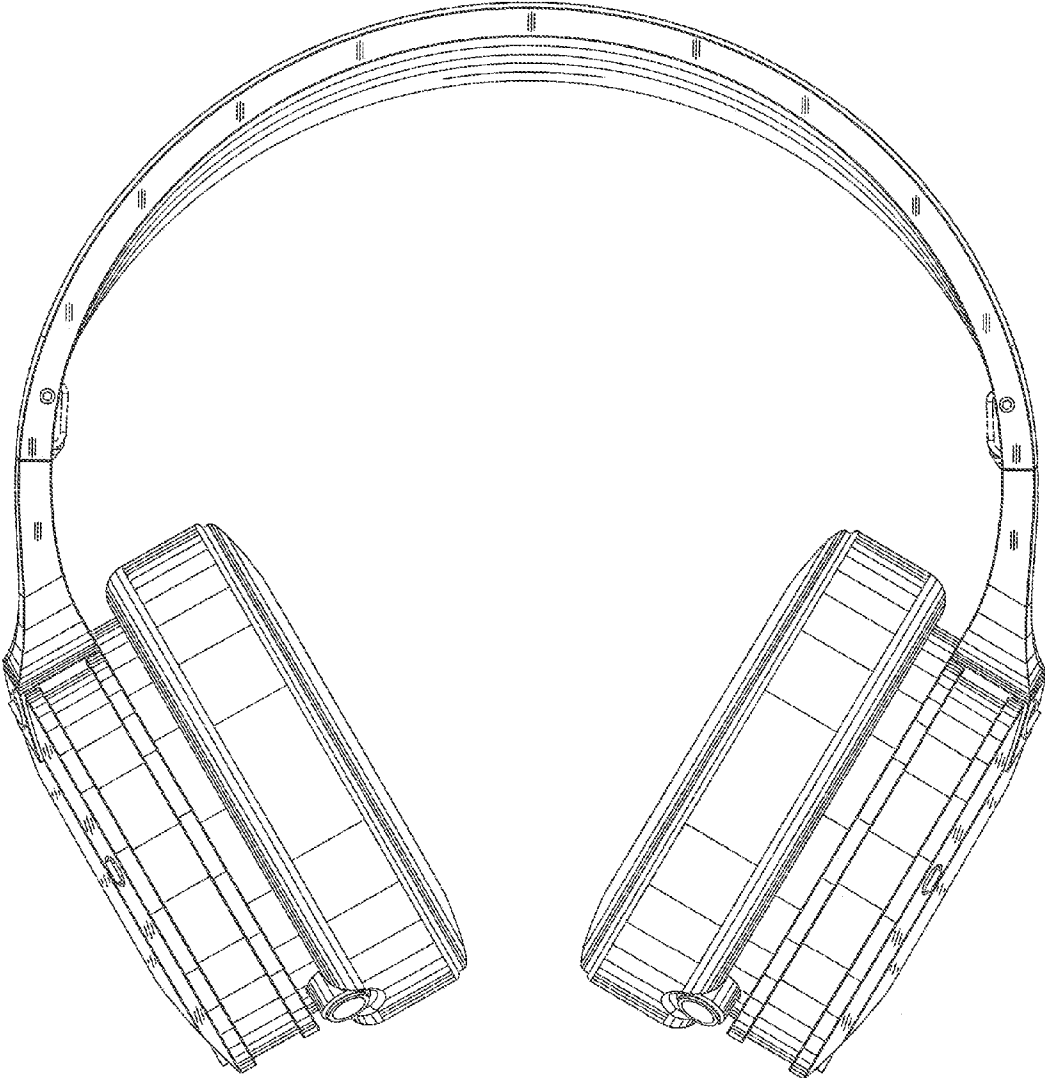


Figure 3

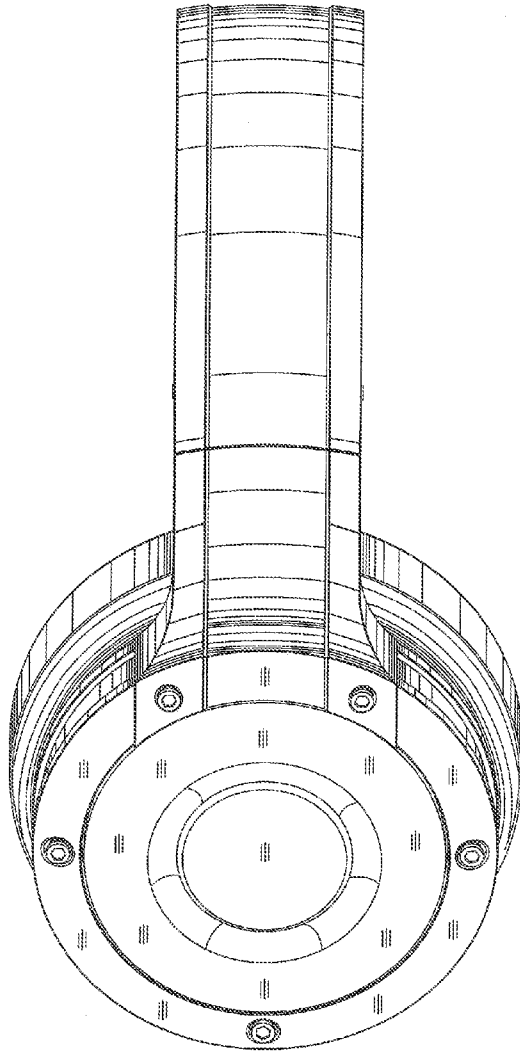


Figure 4

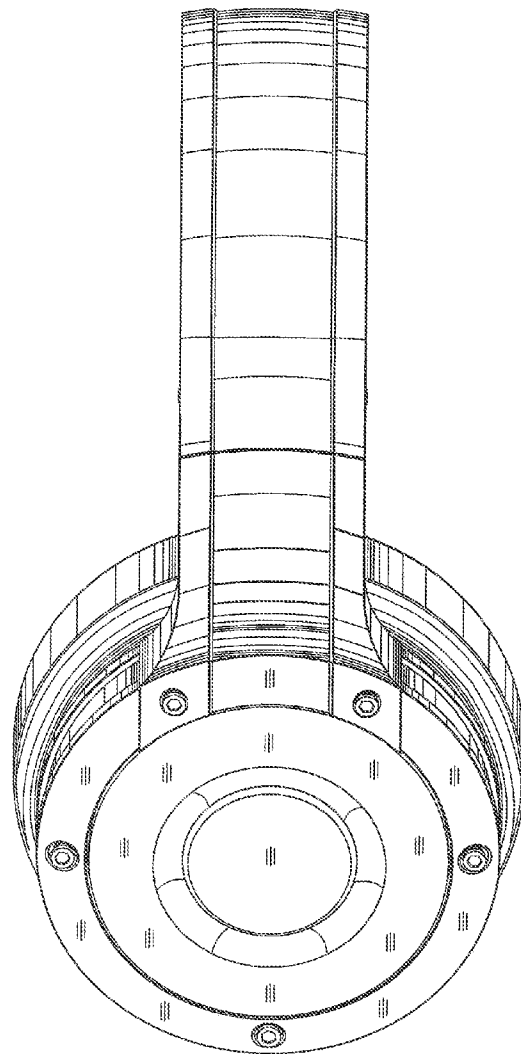


Figure 5

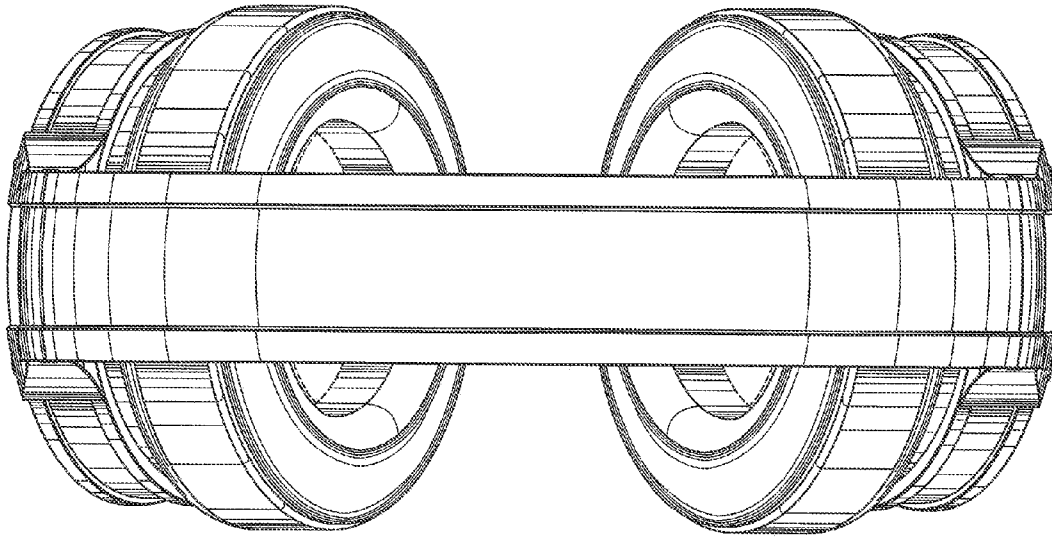


Figure 6

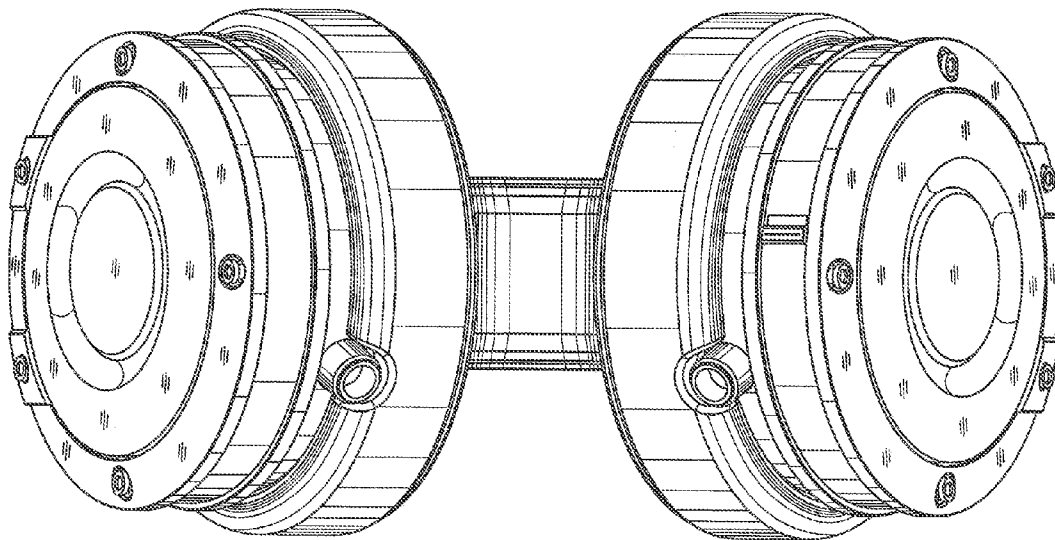


Figure 7