



US00D751867S

(12) **United States Design Patent**
Krumwiede et al.

(10) **Patent No.:** **US D751,867 S**

(45) **Date of Patent:** **** Mar. 22, 2016**

(54) **COMBINED CANTILEVER-STYLE WINE BUCKET AND BOTTLE HOLDER**

(71) Applicant: **JEK2, LLC**, Mount Prospect, IL (US)

(72) Inventors: **Judi Krumwiede**, Mount Prospect, IL (US); **James Krumwiede**, Mount Prospect, IL (US)

(73) Assignee: **JEK2, LLC**, Mount Prospect, IL (US)

(**) Term: **14 Years**

(21) Appl. No.: **29/495,313**

(22) Filed: **Jun. 30, 2014**

(51) **LOC (10) Cl.** **07-01**

(52) **U.S. Cl.**
USPC **D7/620**

(58) **Field of Classification Search**
USPC D7/619.1-625, 701-708; D6/566; D11/143, 148, 152; 47/67; 211/74, 211/88.01, 119; 248/214, 228.7, 231.81, 248/302, 311.2, 315, 205.1
CPC ... A01K 97/10; A47G 7/044; A47G 23/0225; A47H 27/00
See application file for complete search history.

211/119
5,609,318 A * 3/1997 Scheh A47G 23/0225
248/302
D474,652 S * 5/2003 Chan D7/620
7,284,737 B2 10/2007 Kane
D583,630 S * 12/2008 Goodman D7/619.1
7,690,612 B1 * 4/2010 Branson A47H 27/00
248/302
7,717,385 B2 5/2010 Saffray
8,430,366 B2 4/2013 Tincher

FOREIGN PATENT DOCUMENTS

AU	200048622 B2	1/2001
CA	2112541	7/1994
CN	201854884	6/2011
DE	850068	9/1952
DE	8714841 U1	12/1987
DE	8804297 U1	5/1988

(Continued)

OTHER PUBLICATIONS

Three photographs of a wine holder observed in Europe circa Nov. 2013.

Primary Examiner — Terry Wallace

(74) *Attorney, Agent, or Firm* — Seyfarth Shaw LLP; David A. Klein

(57) **CLAIM**

The ornamental design for a combined cantilever-style wine bucket and bottle holder, as shown.

DESCRIPTION

FIG. 1 is a perspective view of a combined cantilever-style wine bucket and bottle holder showing my new design.

FIG. 2 is a front view thereof.

FIG. 3 is a rear view thereof.

FIG. 4 is a side view thereof.

FIG. 5 is an opposite side view thereof.

FIG. 6 is a top plan view thereof; and,

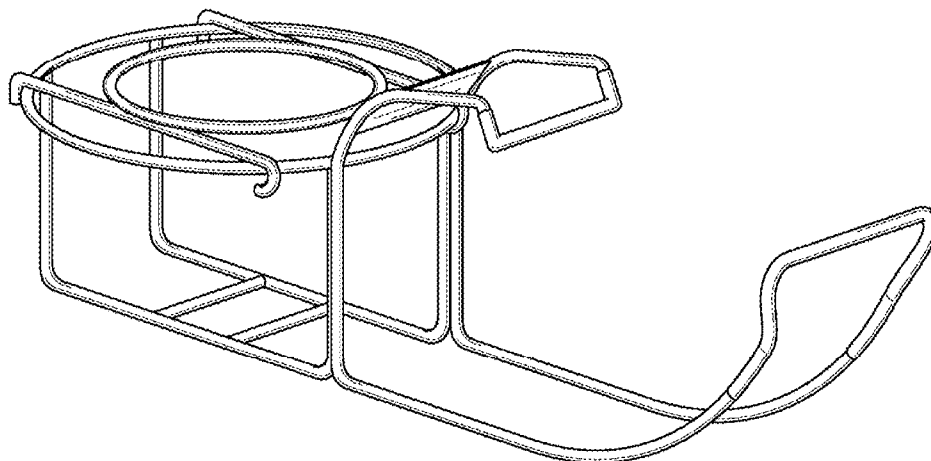
FIG. 7 is a bottom plan view thereof.

1 Claim, 7 Drawing Sheets

(56) **References Cited**

U.S. PATENT DOCUMENTS

2,331,511 A	10/1943	Schiffman	
2,601,571 A *	6/1952	Sverkerson A47G 23/0225 211/74
D254,648 S	4/1980	Rosselli	
4,230,362 A	10/1980	Euwema et al.	
4,248,478 A	2/1981	Aron	
4,362,333 A	12/1982	Cohen	
4,418,883 A *	12/1983	Cohen A47G 23/0225 248/205.1
D279,533 S	7/1985	Gildart	
D297,695 S *	9/1988	Dessart D7/590
D307,851 S *	5/1990	Polidoros D7/620
5,390,443 A *	2/1995	Emalfarb A47G 7/044



(56)

References Cited

FOREIGN PATENT DOCUMENTS

DE 29510895 U1 9/1995
DE 29819669 U1 4/1999
DE 20215022 U1 12/2002

EP 1974636 A1 1/2008
FR 2626457 A1 8/1989
GB 2237182 A 1/1991
WO 98/53722 12/1998
WO 2008/000690 A1 1/2008

* cited by examiner

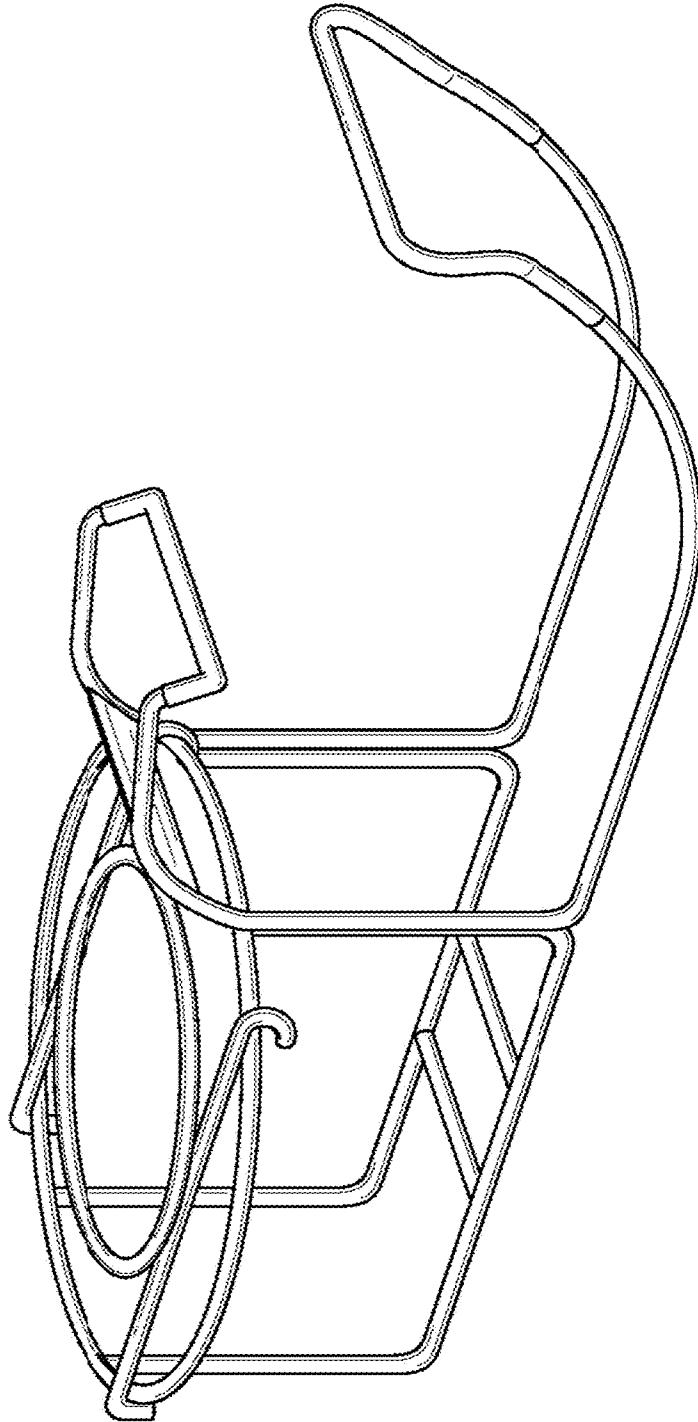


FIG. 1

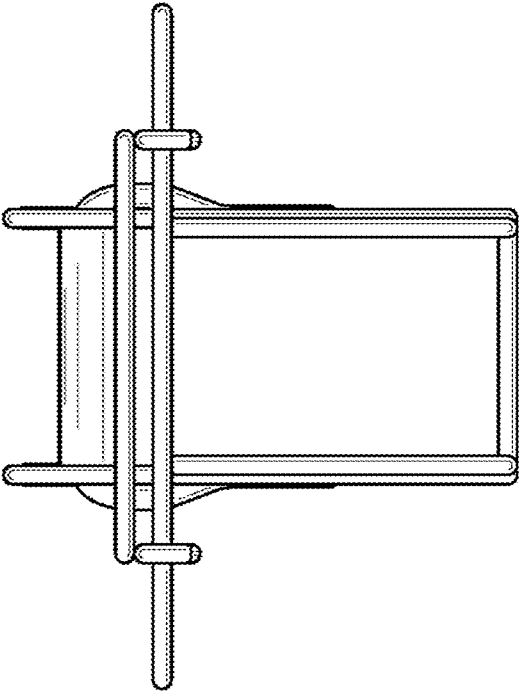


FIG. 2

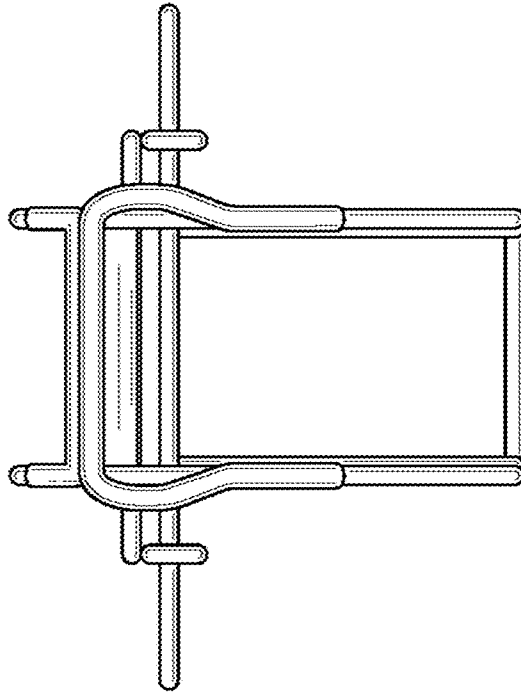


FIG. 3

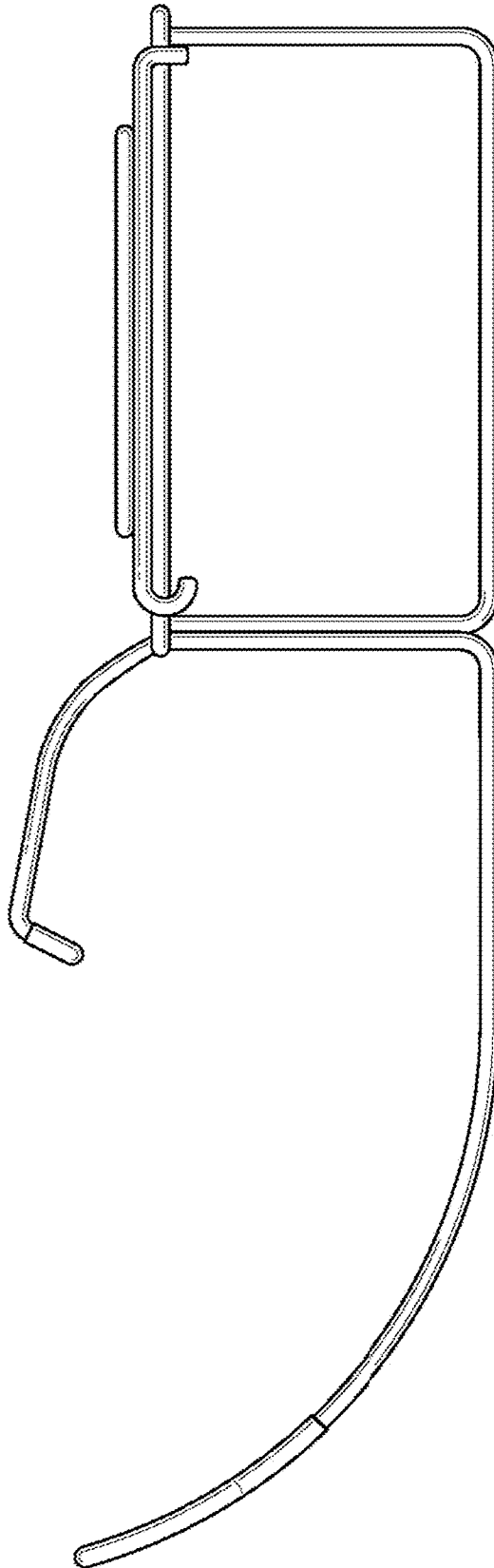


FIG. 4

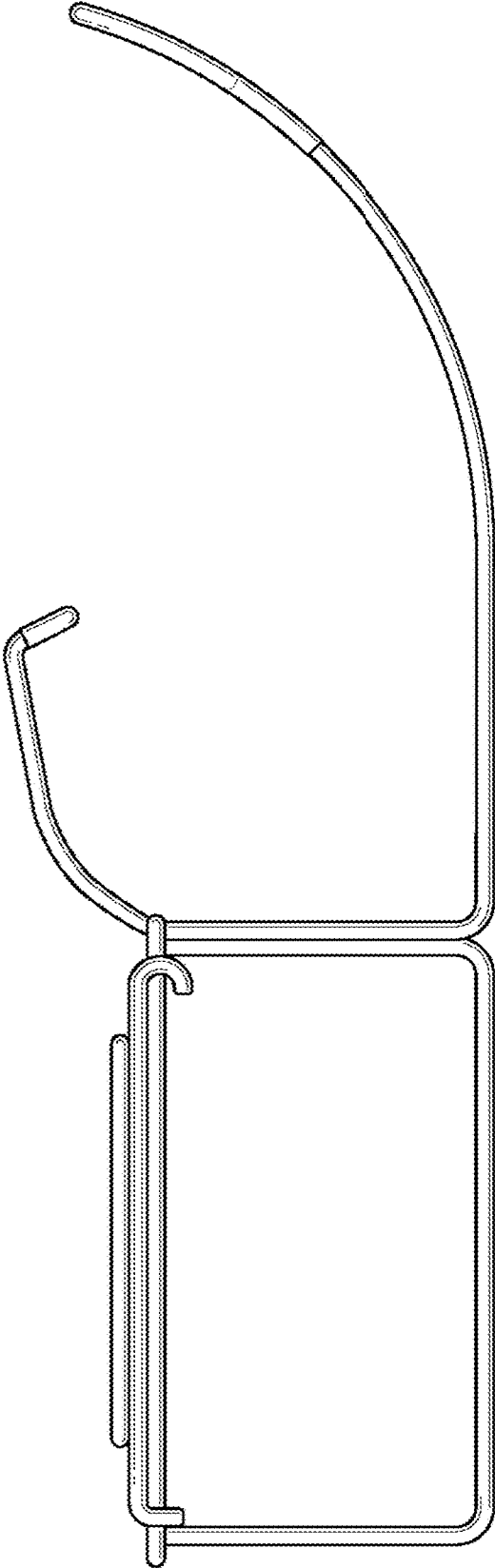


FIG. 5

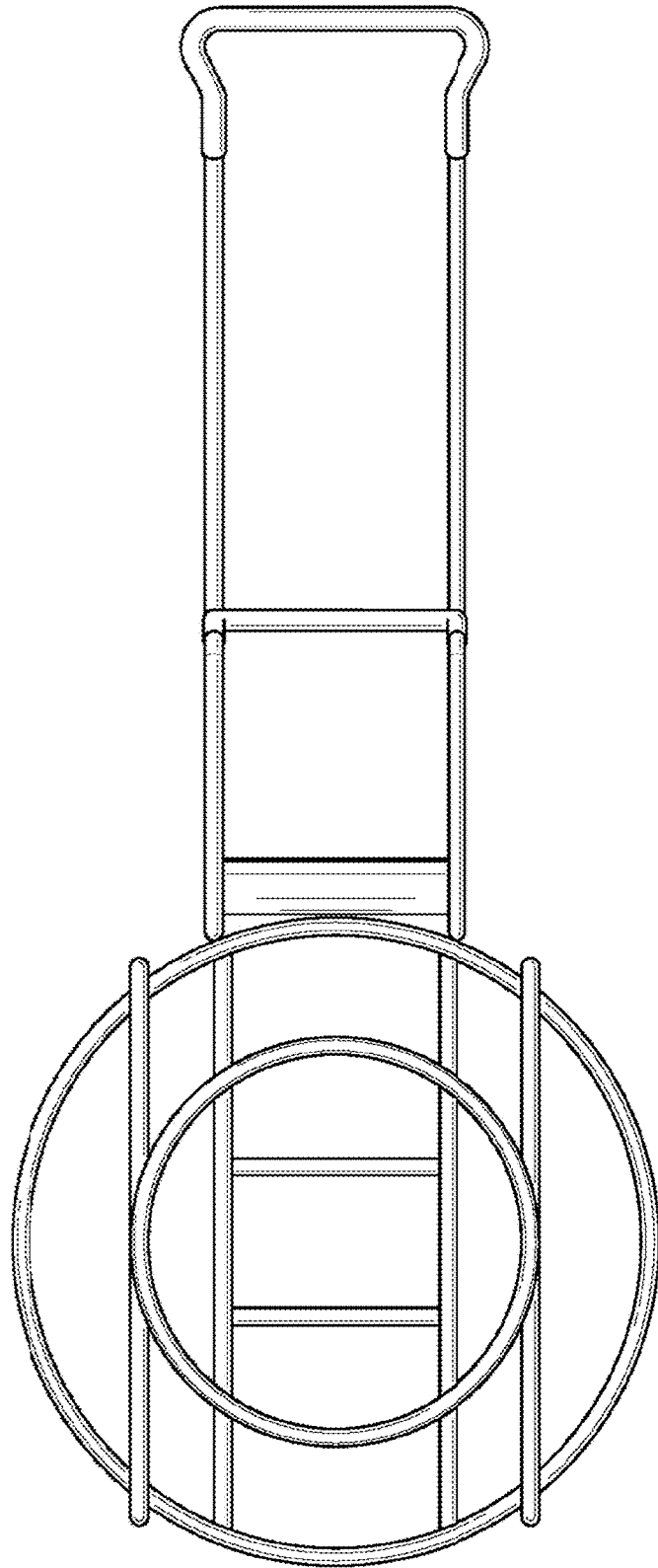


FIG. 6

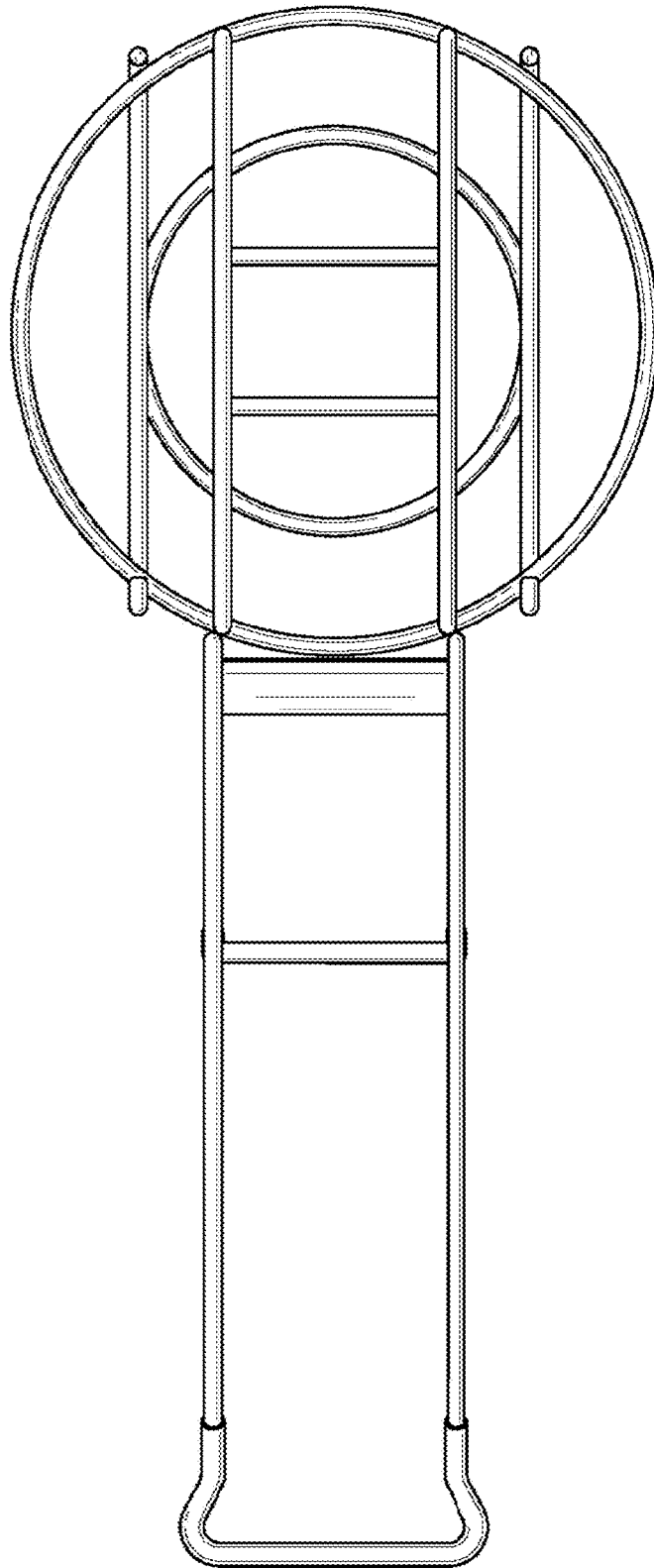


FIG. 7