



US00D911062S

(12) **United States Design Patent**  
**Sturzen**

(10) **Patent No.:** **US D911,062 S**

(45) **Date of Patent:** **\*\* Feb. 23, 2021**

(54) **STYLIZED UTILITY HANGER**

(71) Applicant: **Fred Karl Sturzen**, Astoria, OR (US)

(72) Inventor: **Fred Karl Sturzen**, Astoria, OR (US)

(\*\*) Term: **15 Years**

(21) Appl. No.: **29/721,701**

(22) Filed: **Jan. 22, 2020**

(51) **LOC (13) Cl.** ..... **06-06**

(52) **U.S. Cl.**  
USPC ..... **D6/570**

(58) **Field of Classification Search**  
USPC ..... D6/315-328, 513, 514, 546, 552, 553,  
D6/567, 569, 570; D8/370  
CPC ..... A47F 5/0006; A47F 5/04; A47F 5/0892;  
A47F 5/00  
See application file for complete search history.

6,925,754 B1 \* 8/2005 Tearoe ..... A01G 9/12  
172/371

8,240,488 B2 \* 8/2012 Huang ..... B05B 13/0292  
211/107

D727,631 S \* 4/2015 Irvin ..... D6/323

D878,100 S \* 3/2020 Liu ..... D6/570

10,729,226 B1 \* 8/2020 Zamora ..... A45F 3/44

2007/0278163 A1 \* 12/2007 Barkdoll ..... A47F 5/0807  
211/59.1

2008/0087619 A1 \* 4/2008 Laney ..... A47G 25/10  
211/119.004

2010/0181442 A1 \* 7/2010 Nales ..... A47F 5/04  
248/121

2015/0068990 A1 \* 3/2015 Shea ..... A47F 5/0815  
211/57.1

2019/0070472 A1 \* 3/2019 Duran ..... A47F 5/04

\* cited by examiner

*Primary Examiner* — Lauren R Calve  
(74) *Attorney, Agent, or Firm* — Mark S. Hubert

(57) **CLAIM**

I claim the ornamental design for a stylized utility hanger, as shown and described.

(56) **References Cited**

**U.S. PATENT DOCUMENTS**

433,859 A \* 8/1890 Foster ..... A47F 5/02  
211/95

D216,008 S \* 11/1969 Dennison ..... D8/370

4,367,819 A \* 1/1983 Lewis ..... A47G 25/0678  
211/106.01

D354,654 S \* 1/1995 Mallen ..... D6/552

5,437,378 A \* 8/1995 Ta ..... A47G 25/743  
211/115

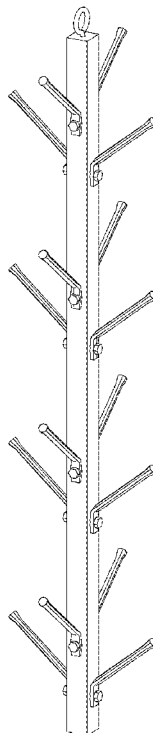
5,566,837 A \* 10/1996 Lema ..... A47F 7/06  
211/31

D417,996 S \* 12/1999 Mallen ..... D6/513

**DESCRIPTION**

FIG. 1 is a perspective view of a stylized utility hanger showing my new design;  
FIG. 2 is a front view thereof;  
FIG. 3 is a right-side view thereof;  
FIG. 4 is a back view thereof;  
FIG. 5 is a top view thereof;  
FIG. 6 is a bottom view thereof; and,  
FIG. 7 is a left-side view thereof.

**1 Claim, 3 Drawing Sheets**



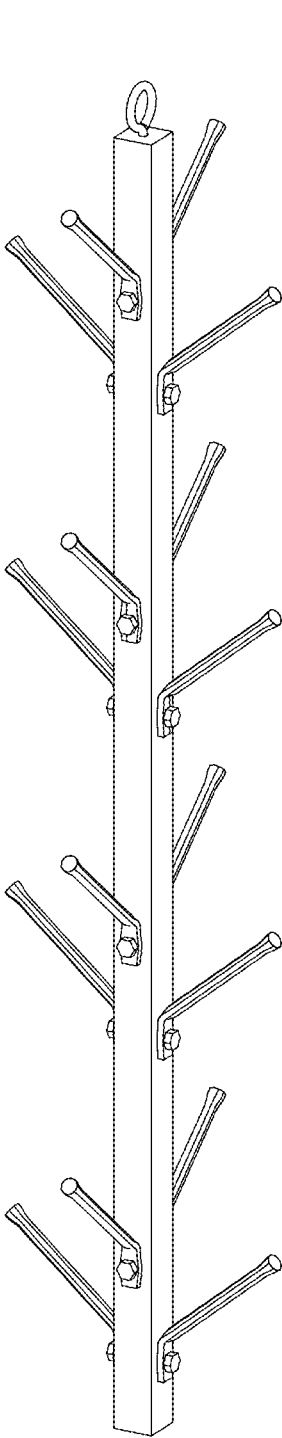


FIG. 1

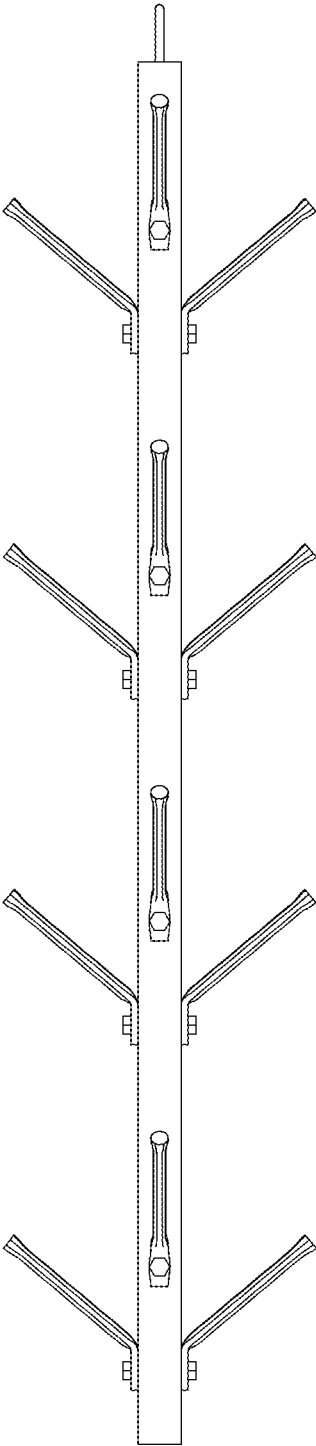


FIG. 2

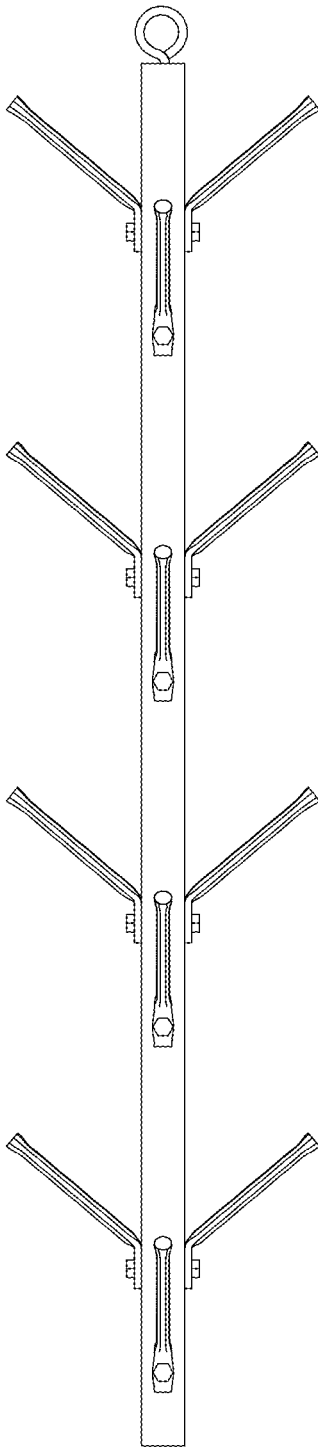


FIG. 3

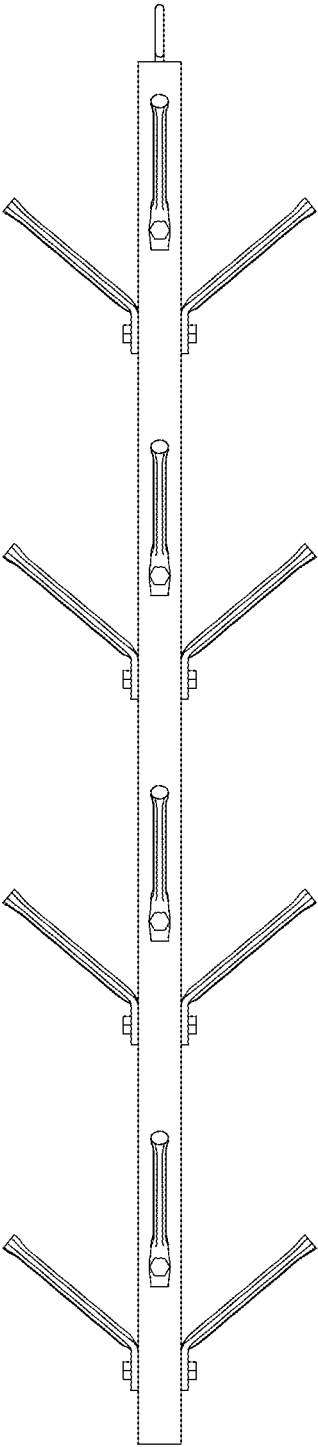


FIG. 4

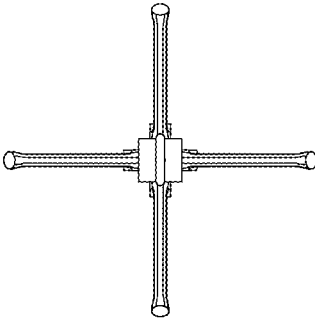


FIG. 5

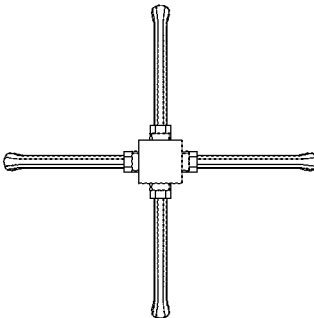


FIG. 6

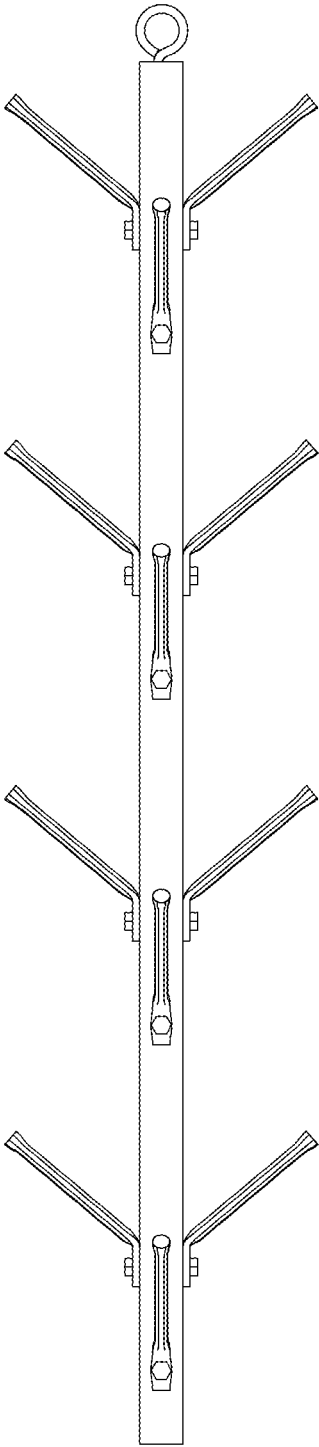


FIG. 7