



US00D465384S

(12) **United States Design Patent**
Schanzer

(10) **Patent No.:** **US D465,384 S**

(45) **Date of Patent:** **** Nov. 12, 2002**

(54) **CUP**

(75) **Inventor:** **Sem Schanzer, Antwerp (BE)**

(73) **Assignee:** **L'Anverre, besloten vennootschap met beperkte aansprakelijkheid, Antwerp (BE)**

(**) **Term:** **14 Years**

(21) **Appl. No.:** **29/158,066**

(22) **Filed:** **Mar. 29, 2002**

(30) **Foreign Application Priority Data**

Feb. 25, 2002 (XH) DM/059 131

(51) **LOC (7) Cl.** **07-01**

(52) **U.S. Cl.** **D7/507; 510/523; 510/584**

(58) **Field of Search** **D7/507, 509, 510, D7/523, 528, 505, 543, 545, 584, 557; 220/574, 694, 23.86, 23.83, 574.1, 575, 573.1, 556, 631; 206/541, 561; 119/51.5; 229/403, 400**

(56)

References Cited

U.S. PATENT DOCUMENTS

| | | | | | |
|-------------|---|---------|---------------|-------|----------|
| D39,958 S | * | 5/1909 | Garrison | | D7/584 |
| D102,968 S | * | 10/1937 | Farber | | D7/505 |
| 2,191,811 A | * | 2/1940 | Trampier, Sr. | | 119/51.5 |
| 2,192,415 A | * | 3/1940 | Schwarzenzer | | 229/400 |
| D122,576 S | * | 9/1940 | Steinhilber | | D7/557 |
| D133,703 S | * | 9/1942 | Parker | | D7/505 |
| 2,294,657 A | * | 9/1942 | Flanagan | | 220/575 |

| | | | | | |
|-------------|---|---------|-----------------|-------|-----------|
| D170,289 S | * | 8/1953 | Skipp | | D7/507 |
| 2,750,770 A | * | 6/1956 | Berg | | 220/23.83 |
| 2,850,079 A | * | 9/1958 | Prushnok et al. | | 248/506 |
| D189,302 S | * | 11/1960 | Skupien | | D7/523 |
| D210,476 S | * | 3/1968 | Gulotta | | D7/507 |
| D244,738 S | * | 6/1977 | Juhlin | | D7/507 |
| D244,902 S | * | 7/1977 | Haar | | D7/505 |
| 4,055,273 A | * | 10/1977 | Jones | | 220/631 |
| 4,823,958 A | * | 4/1989 | Mahmud | | 206/561 |
| D303,194 S | * | 9/1989 | Darby et al. | | D7/507 |
| 4,938,373 A | * | 7/1990 | McKee | | 220/23.86 |
| 4,944,423 A | * | 7/1990 | Clark et al. | | 220/574 |
| 5,249,700 A | * | 10/1993 | Dumke | | 220/574 |
| 5,441,164 A | * | 8/1995 | Beck et al. | | 220/575 |
| D402,851 S | * | 12/1998 | Stauffer | | D7/505 |

* cited by examiner

Primary Examiner—M. N. Pandozzi

(74) *Attorney, Agent, or Firm*—Bacon & Thomas, PLLC

(57)

CLAIM

The ornamental design for a cup, as shown.

DESCRIPTION

FIG. 1 is a perspective view of a cup, showing my new design;

FIG. 2 is a front view thereof;

FIG. 3 is a rear elevational view thereof;

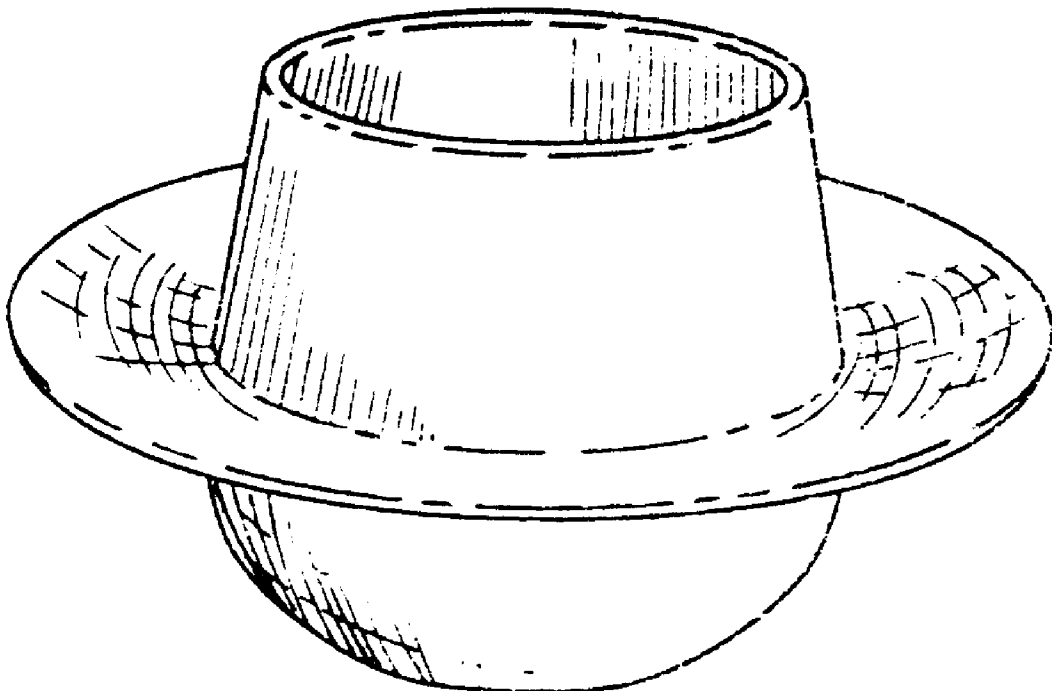
FIG. 4 is a left side elevational view thereof;

FIG. 5 is a right side elevational view thereof;

FIG. 6 is top plan view thereof; and,

FIG. 7 is a bottom plan view thereof.

1 Claim, 2 Drawing Sheets



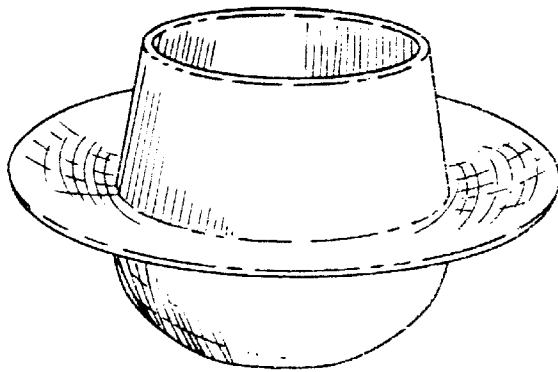


Fig. 1

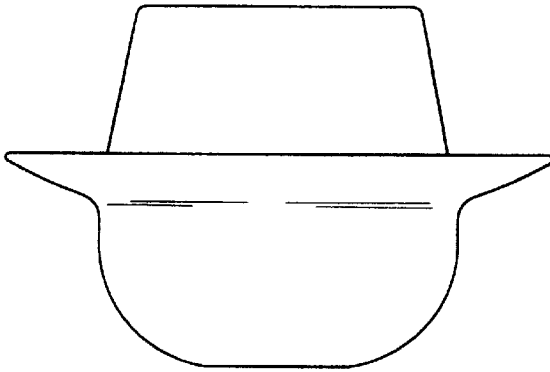


Fig. 2

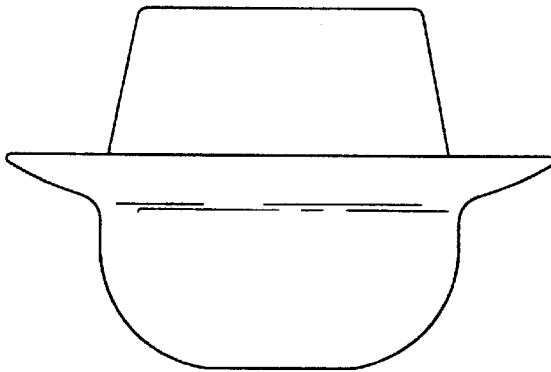


Fig. 3

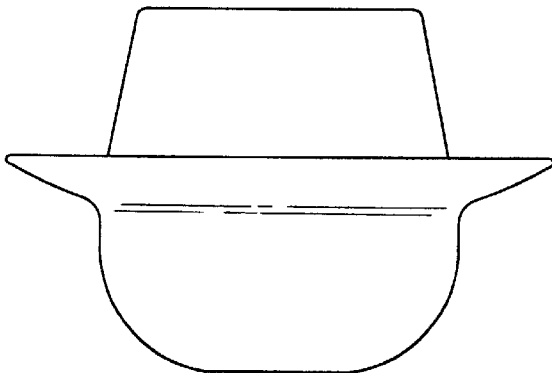


Fig. 4

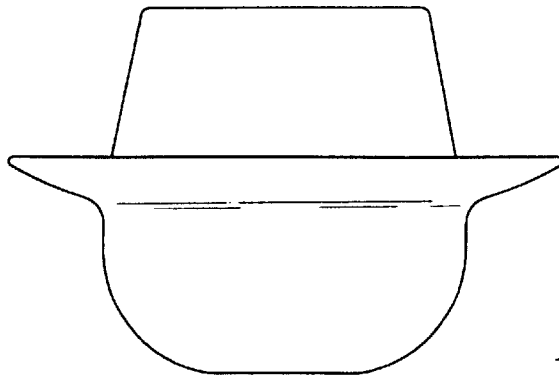


Fig. 5

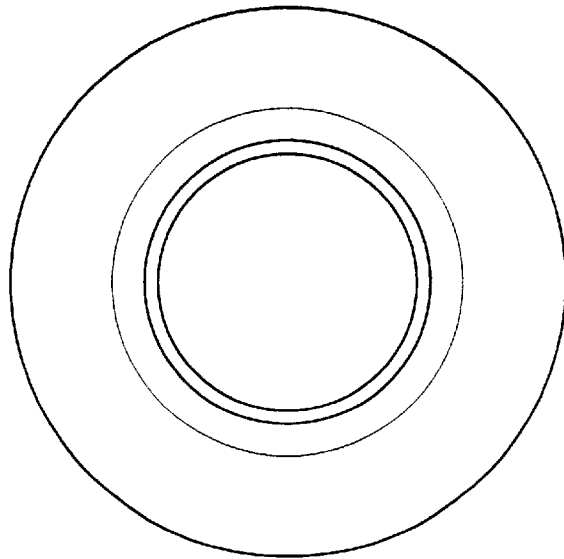


Fig. 6

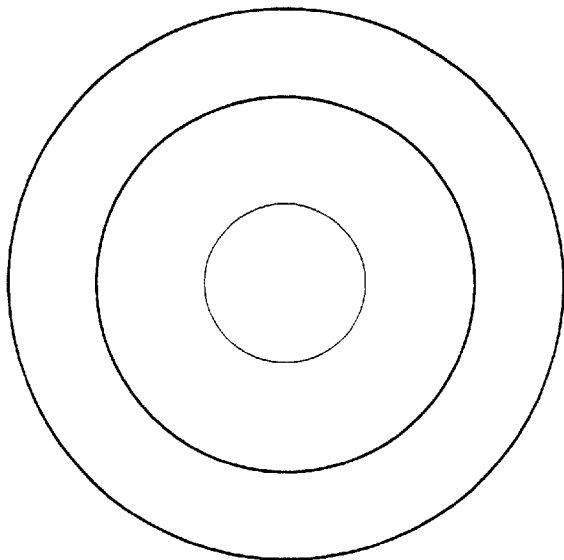


Fig. 7