



US00D817221S

(12) **United States Design Patent**  
Stowe et al.

(10) **Patent No.:** US D817,221 S  
(45) **Date of Patent:** \*\* May 8, 2018

- (54) **PLANTER BAG**
- (71) Applicant: **WHS Trading Australia Pty Ltd**,  
Wembley, WA (AU)
- (72) Inventors: **Robert Geoffrey Stowe**, Wembley  
(AU); **Steve Turner**, Wembley (AU)
- (73) Assignee: **WHS Trading Australia Pty Ltd**,  
Wembley, WA (AU)
- (\*\*) Term: **15 Years**
- (21) Appl. No.: **29/566,452**
- (22) Filed: **May 31, 2016**
- (51) **LOC (11) Cl.** ..... **11-02**
- (52) **U.S. Cl.**  
USPC ..... **D11/148**
- (58) **Field of Classification Search**  
USPC ..... D11/131, 143–156, 164; D7/500, 509,  
D7/523, 532; D9/702–706, 711, 713;  
D6/329, 403–405, 512, 556–558; D26/9,  
D26/22, 65, 142  
CPC ..... A01G 9/02; A01G 9/021; A01G 9/023;  
A01G 9/024; B65D 75/008  
See application file for complete search history.

- D581,738 S \* 12/2008 Bodum ..... D7/509
- D707,373 S \* 6/2014 Nugent ..... D26/22
- D723,418 S \* 3/2015 Thuma ..... D11/143
- D732,221 S \* 6/2015 Almodova ..... D26/65
- D739,296 S \* 9/2015 Thuma ..... D11/154
- D777,056 S \* 1/2017 Ananda ..... D11/143
- D777,371 S \* 1/2017 Yang ..... D26/142

\* cited by examiner

*Primary Examiner* — Susan Bennett Hattan  
*Assistant Examiner* — Rebecca Tsehaye  
(74) *Attorney, Agent, or Firm* — Merchant & Gould P.C.

(57) **CLAIM**

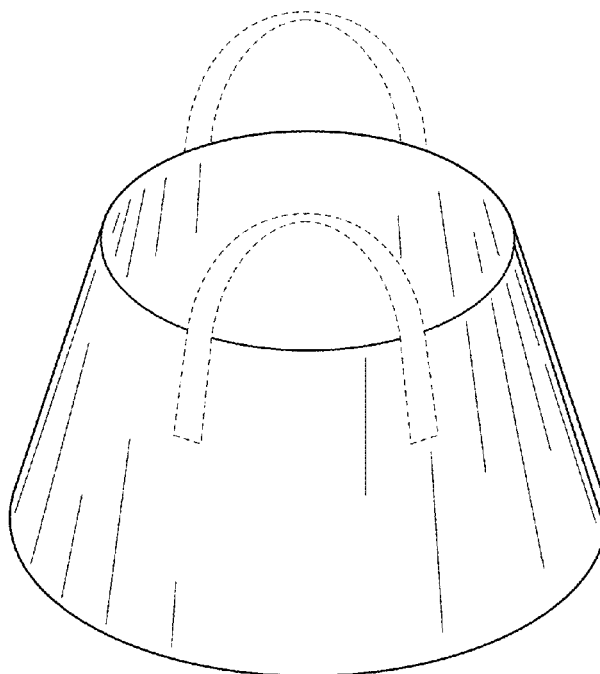
The ornamental design for a planter bag, substantially as shown and described.

**DESCRIPTION**

FIG. 1 is a top perspective view of a planter bag in accordance with the present invention;  
FIG. 2 is a bottom perspective view thereof;  
FIG. 3 is a top plan view thereof;  
FIG. 4 is a bottom plan view thereof;  
FIG. 5 is a side view thereof;  
FIG. 6 is a side view thereof;  
FIG. 7 is a top perspective view rotated 90 degrees thereof; and,  
FIG. 8 is a side view rotated 90 degrees thereof.  
The broken lines showing the remainder of the planter bag are directed to environment. The broken lines in the drawings depict portions of the planter bag that form no part of the claimed design.

**1 Claim, 4 Drawing Sheets**

- (56) **References Cited**  
U.S. PATENT DOCUMENTS  
4,353,497 A \* 10/1982 Bustin ..... B65D 75/008  
383/104  
D361,300 S \* 8/1995 Weder ..... D11/152  
D399,169 S \* 10/1998 Weder ..... D11/164



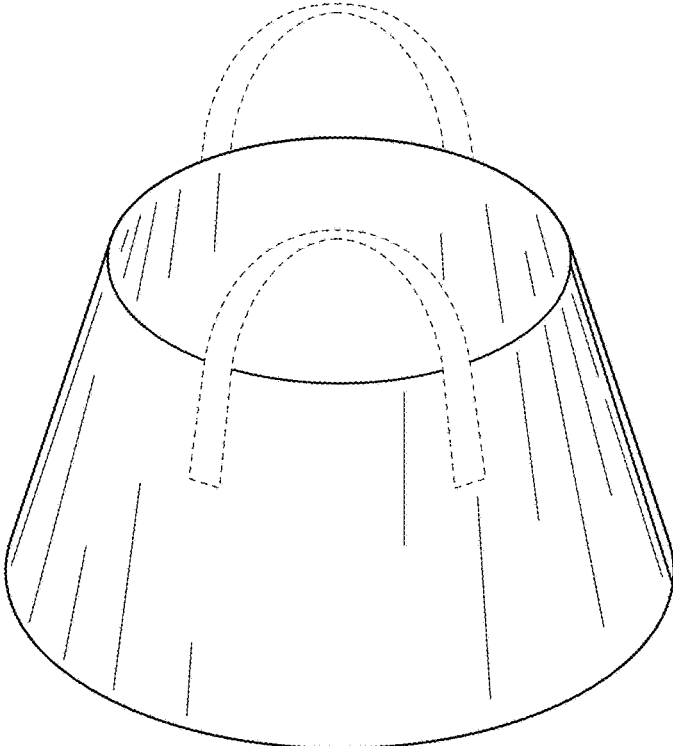


FIG. 1

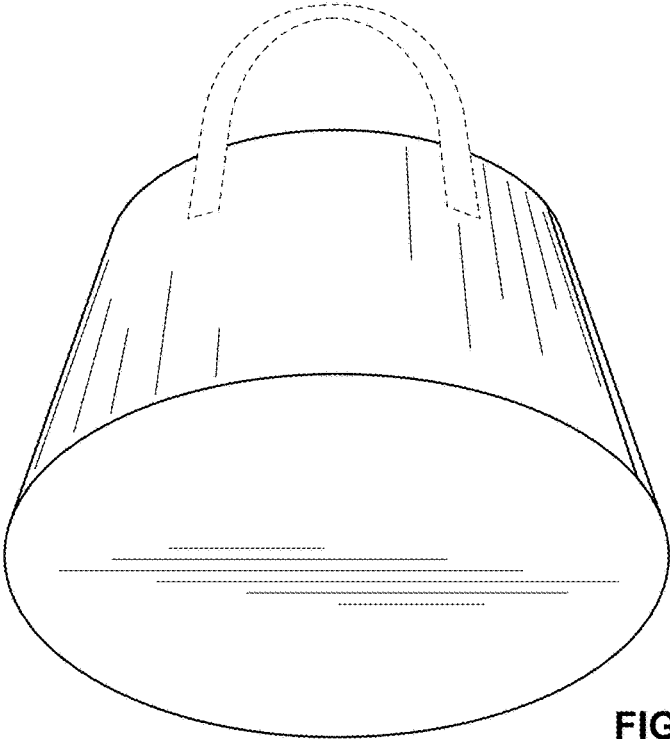


FIG. 2

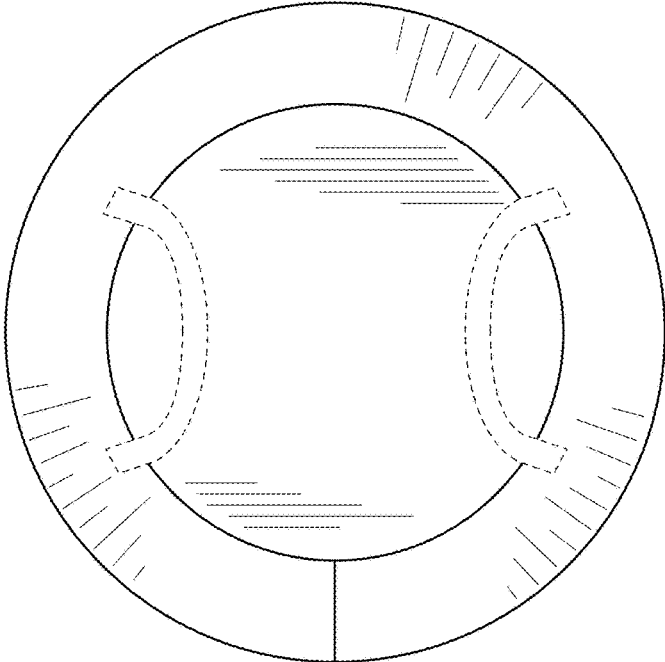


FIG. 3

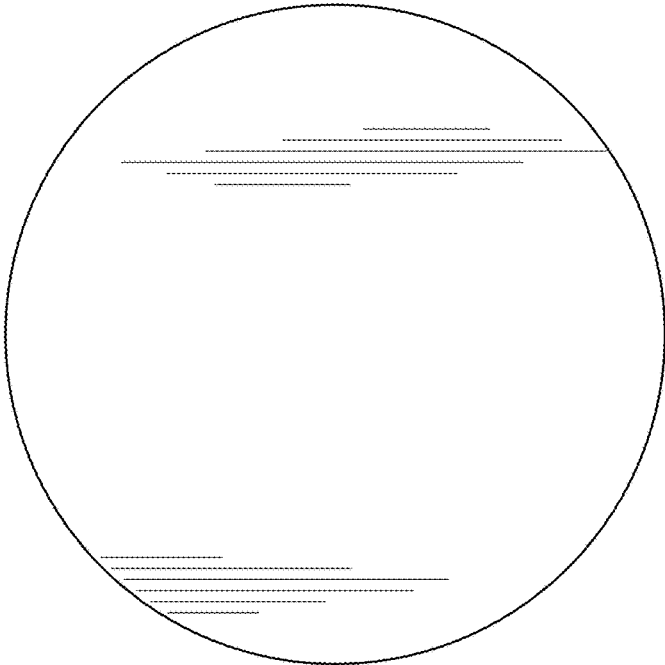


FIG. 4

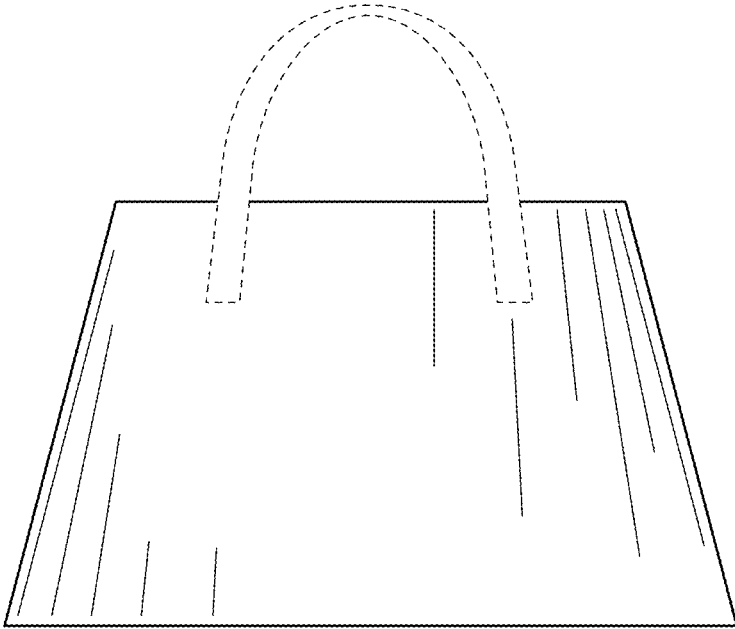


FIG. 5

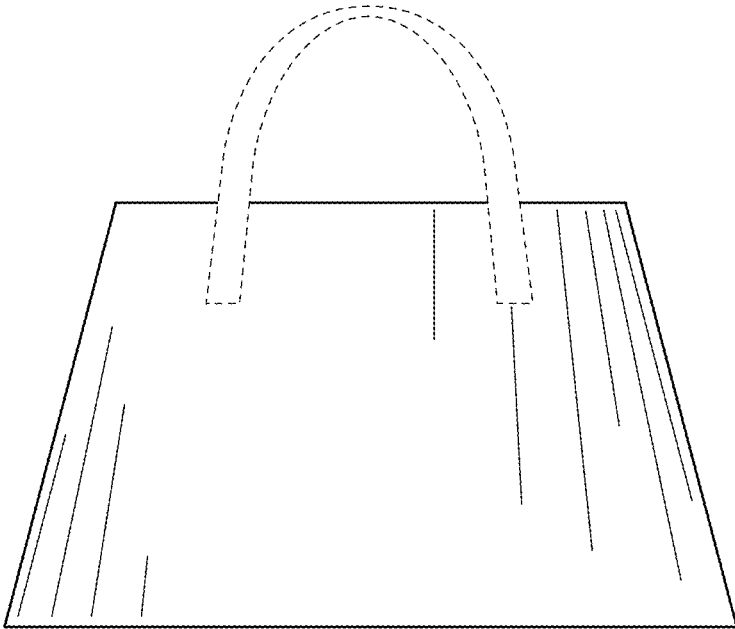


FIG. 6

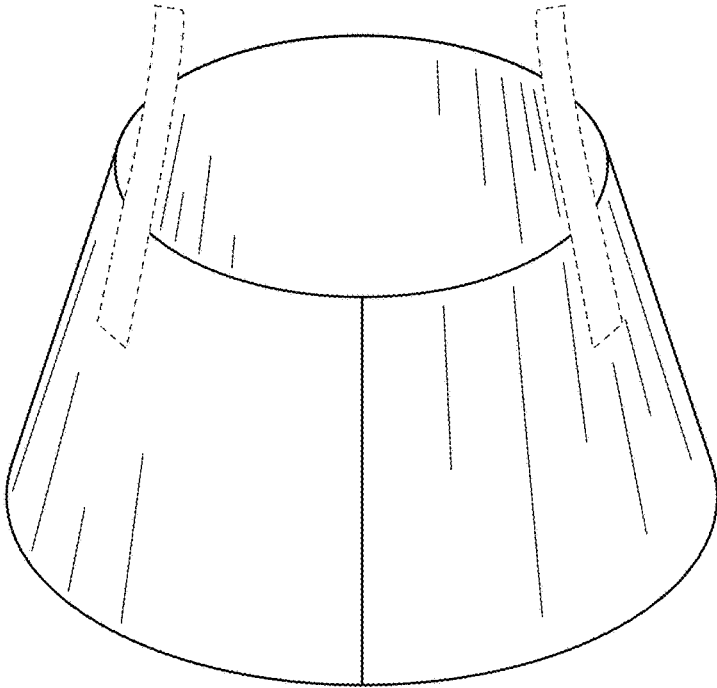


FIG. 7

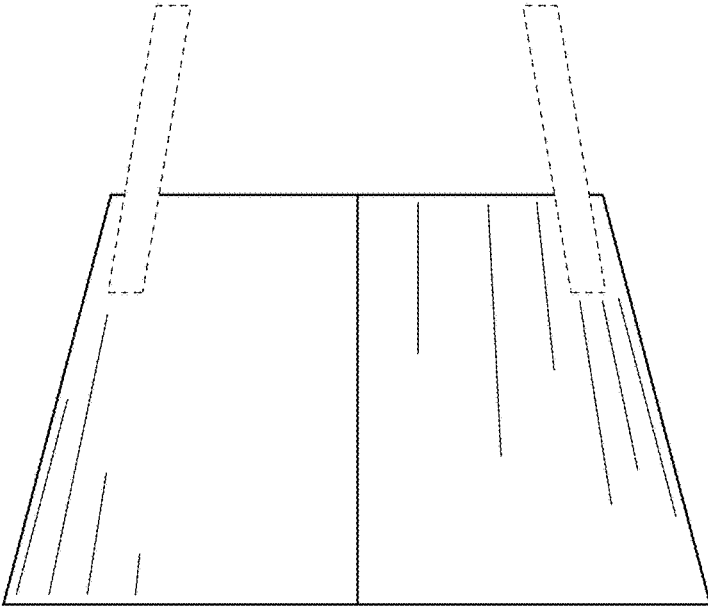


FIG. 8