



US00D975392S

(12) **United States Design Patent**  
**King**

(10) **Patent No.:** **US D975,392 S**

(45) **Date of Patent:** **\*\* Jan. 10, 2023**

- (54) **TRASHCAN**
- (71) Applicant: **Tammi Shantal King**, Baytown, TX (US)
- (72) Inventor: **Tammi Shantal King**, Baytown, TX (US)
- (\*\*) Term: **15 Years**
- (21) Appl. No.: **29/822,883**
- (22) Filed: **Jan. 12, 2022**

|                   |         |           |       |             |
|-------------------|---------|-----------|-------|-------------|
| D554,823 S *      | 11/2007 | Jones     | ..... | B65F 1/06   |
|                   |         |           |       | D34/7       |
| D564,722 S *      | 3/2008  | Hogarth   | ..... | D34/5       |
| D564,723 S *      | 3/2008  | Yang      | ..... | D34/9       |
| D641,530 S *      | 7/2011  | Lewis     | ..... | D34/5       |
| D776,893 S *      | 1/2017  | Stauss    | ..... | D34/5       |
| D793,643 S *      | 8/2017  | Ramirez   | ..... | D34/7       |
| 10,377,567 B1 *   | 8/2019  | Jones     | ..... | B65F 1/1615 |
| 11,225,376 B1 *   | 1/2022  | King      | ..... | B65F 1/02   |
| 2019/0276197 A1 * | 9/2019  | Dominguez | ..... | B65F 1/14   |
| 2021/0395006 A1 * | 12/2021 | Heaney    | ..... | B65F 1/163  |

**Related U.S. Application Data**

- (63) Continuation-in-part of application No. 16/523,438, filed on Jul. 26, 2019, now Pat. No. 11,225,376.
- (51) **LOC (14) Cl.** ..... **09-09**
- (52) **U.S. Cl.**  
USPC ..... **D34/5**
- (58) **Field of Classification Search**  
USPC ..... D34/1, 7, 4, 5, 6, 9, 10, 11, 12, 19, 25  
CPC ..... B65F 1/163; B65F 1/08; B65F 1/1607;  
B65F 1/1615; B65F 1/06; B65F 1/062;  
B65F 1/064; B65F 1/02; B65F 1/1452;  
B65F 1/1473; B65F 1/16  
See application file for complete search history.

**References Cited**

**U.S. PATENT DOCUMENTS**

|               |         |          |       |            |
|---------------|---------|----------|-------|------------|
| 4,953,744 A * | 9/1990  | Koyama   | ..... | B65F 1/06  |
|               |         |          |       | 220/495.11 |
| D401,727 S *  | 11/1998 | Weideman | ..... | D34/25     |

**FOREIGN PATENT DOCUMENTS**

|    |                   |        |       |             |
|----|-------------------|--------|-------|-------------|
| DE | 202019000693 U1 * | 4/2019 | ..... | B65F 1/163  |
| GB | 2533716 A *       | 6/2016 | ..... | B65F 1/1421 |

\* cited by examiner

*Primary Examiner* — Cynthia Ramirez

(74) *Attorney, Agent, or Firm* — Leavitt Eldredge Law Firm

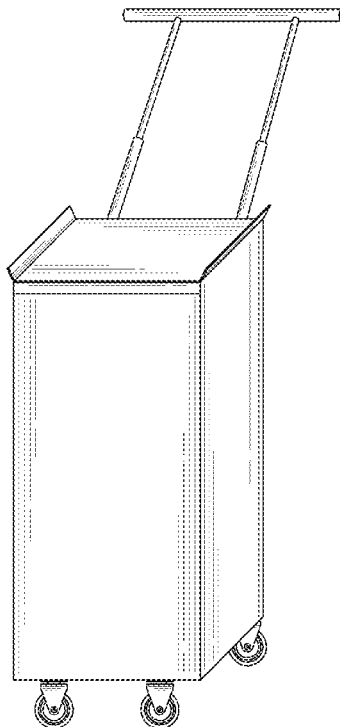
(57) **CLAIM**

The ornamental design for a trashcan, as shown and described.

**DESCRIPTION**

- FIG. 1 is an isometric view of a trashcan in accordance with the present design.
- FIG. 2 is a front view of the trashcan.
- FIG. 3 is a back view of the trashcan.
- FIG. 4 is a right side view of the trashcan.
- FIG. 5 is a left side view of the trashcan.
- FIG. 6 is a top view of the trashcan; and,
- FIG. 7 is a bottom view of the trashcan.

**1 Claim, 7 Drawing Sheets**



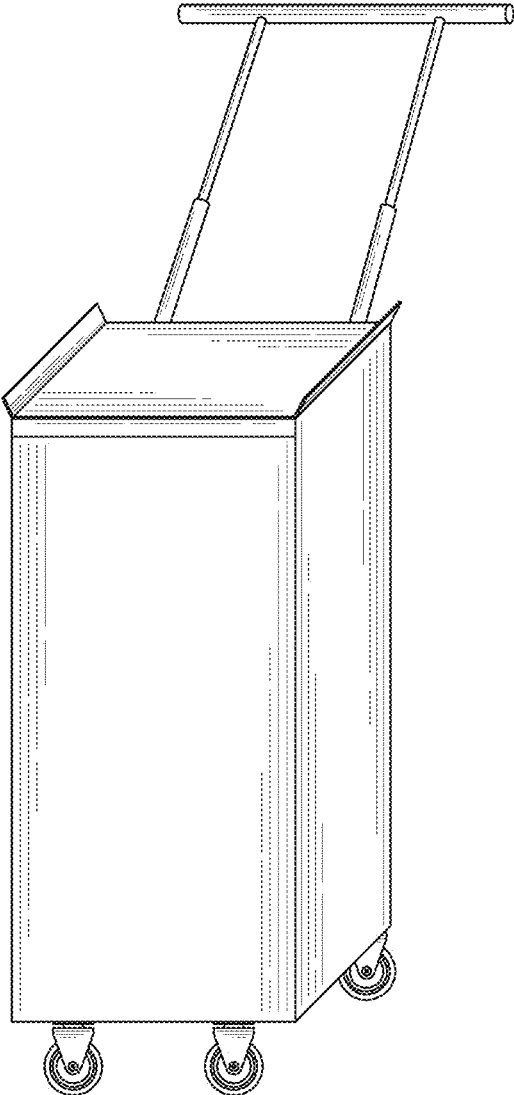


FIG. 1

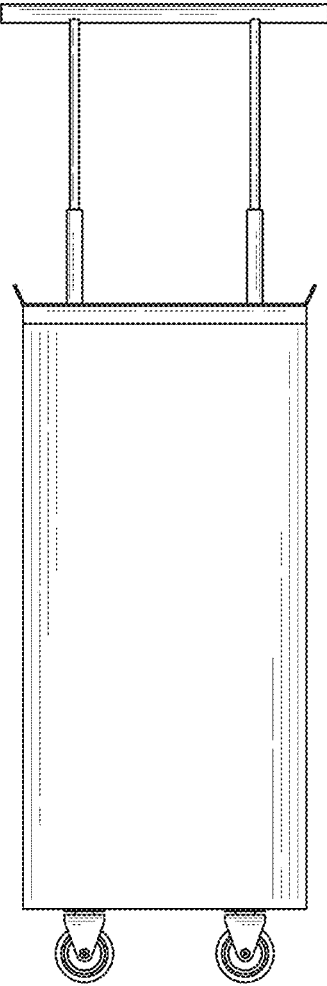


FIG. 2

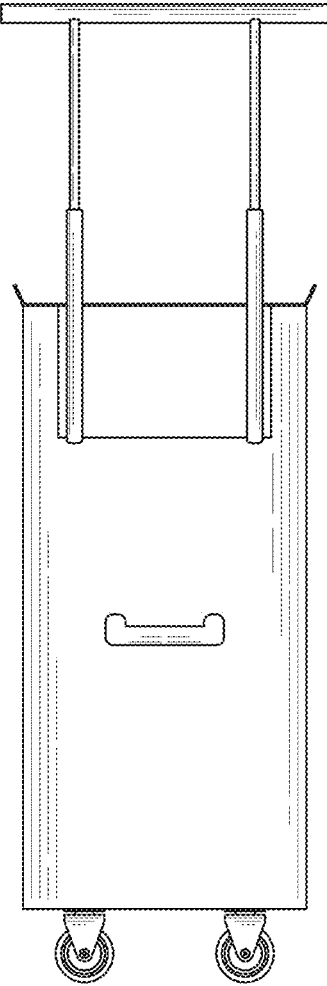


FIG. 3

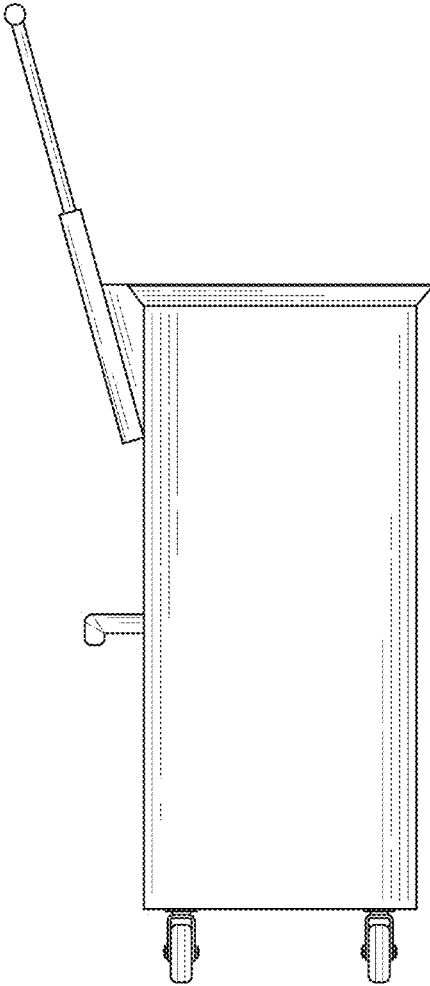


FIG. 4

517

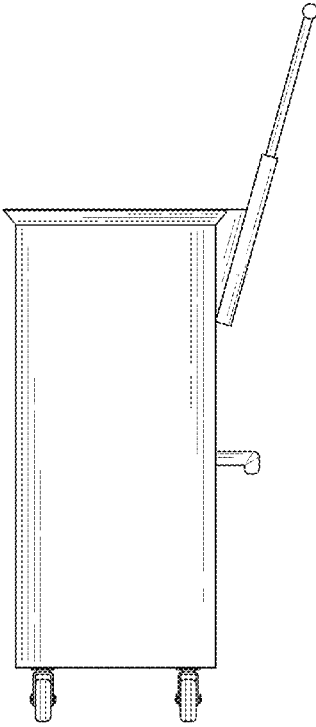


FIG. 5

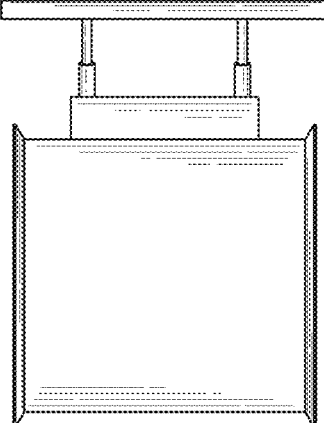


FIG. 6

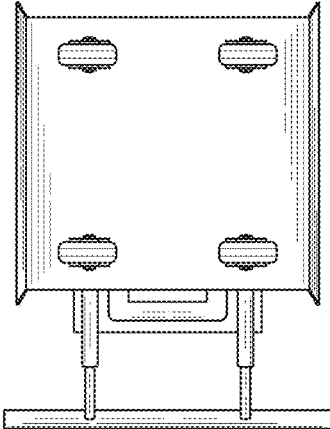


FIG. 7