

[54] CHARCOAL COOKER

[76] Inventor: **Richard P. Barber**, Rte. #2,
Anthony, Kans. 67003

[**] Term: **14 Years**

[21] Appl. No.: **95,258**

[22] Filed: **Nov. 19, 1979**

[51] Int. Cl. **D7-02**

[52] U.S. Cl. **D7/109**

[58] Field of Search **D7/107, 108, 109, 110;**
126/25 R, 25 A, 25 AA, 25 B, 25 C, 29, 30, 9 R,
9 A, 9 B

[56] **References Cited**

U.S. PATENT DOCUMENTS

D. 194,301	12/1962	Gier et al.	D7/109
D. 205,202	7/1966	Clausen	D7/109
D. 246,239	11/1977	Kozloski	D12/209
3,032,783	5/1962	Swanson, Jr.	D7/107 X

Primary Examiner—Catherine E. Kemper

[57] **CLAIM**

The ornamental design for a charcoal cooker, as shown and described.

DESCRIPTION

FIG. 1 is a perspective view of a charcoal cooker showing my new design;

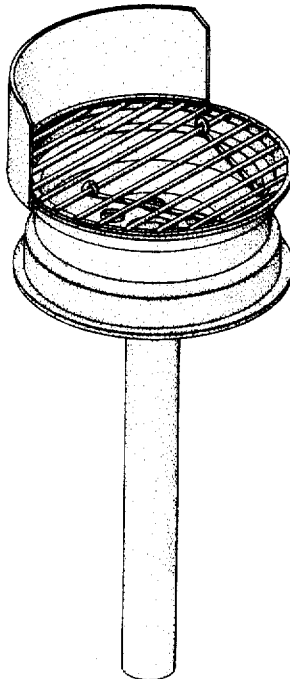
FIG. 2 is a side elevational view thereof;

FIG. 3 is a front elevational view thereof;

FIG. 4 is a rear elevational view thereof;

FIG. 5 is a top plan view thereof; and

FIG. 6 is a bottom plan view thereof.



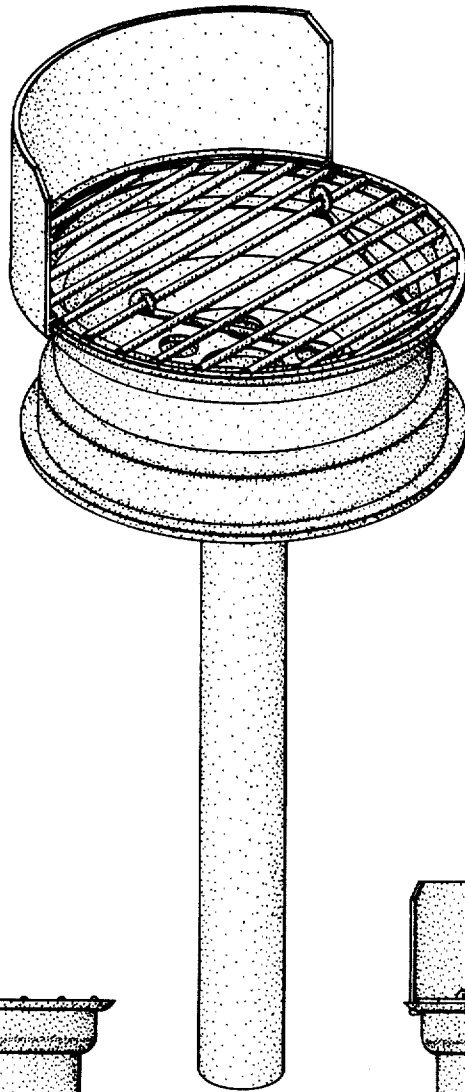


FIG. 1

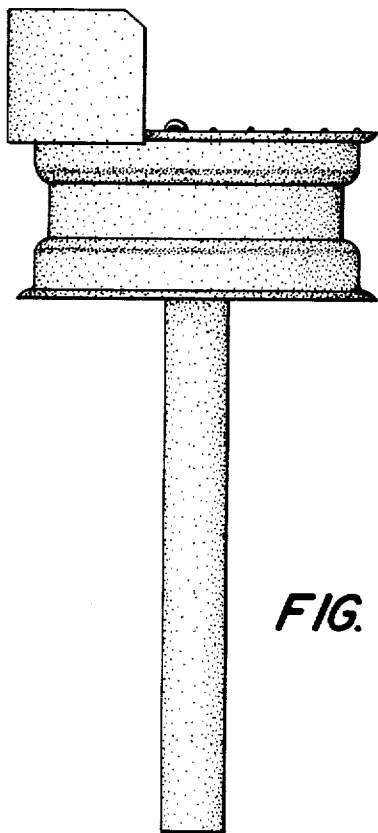


FIG. 2

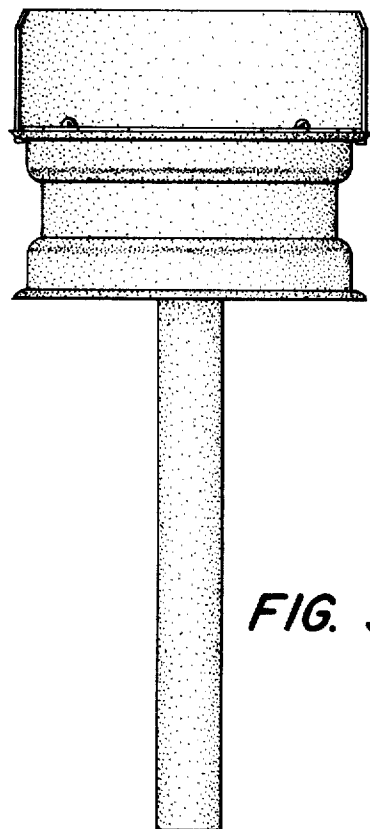


FIG. 3

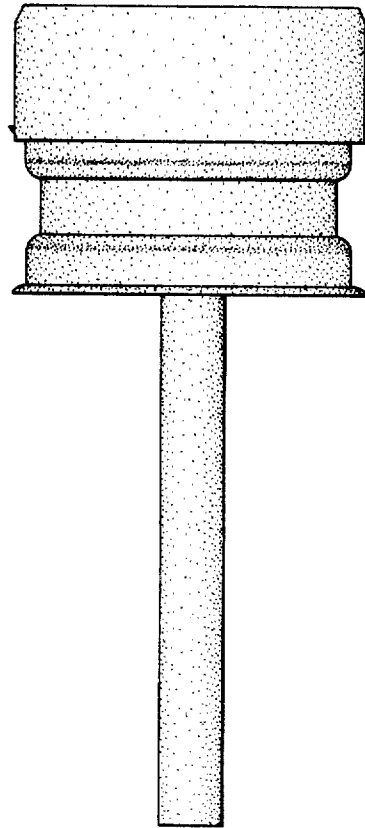


FIG. 4

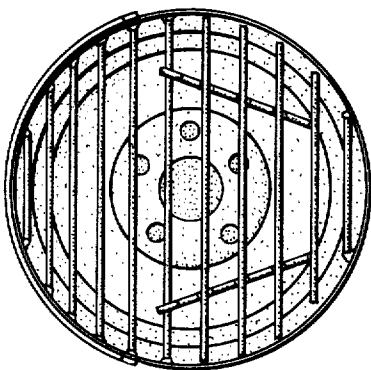


FIG. 5

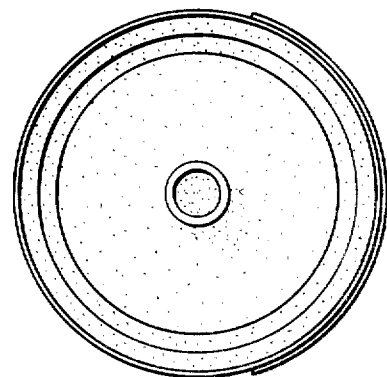


FIG. 6