



US00D569462S

(12) **United States Design Patent**  
**Rollinson**

(10) **Patent No.:** **US D569,462 S**

(45) **Date of Patent:** **\*\* May 20, 2008**

(54) **PUTTER HEAD**

(75) Inventor: **Augustin W. Rollinson**, Carlsbad, CA (US)

(73) Assignee: **Callaway Golf Company**, Carlsbad, CA (US)

(\*\*) Term: **14 Years**

(21) Appl. No.: **29/280,544**

(22) Filed: **May 31, 2007**

(51) **LOC (8) Cl.** ..... **21-02**

(52) **U.S. Cl.** ..... **D21/744**

(58) **Field of Classification Search** ..... D21/736-746;  
473/324-331, 340-341, 251-156  
See application file for complete search history.

(56) **References Cited**

**U.S. PATENT DOCUMENTS**

5,685,784 A *	11/1997	Butler	.....	473/340
D472,594 S *	4/2003	Tang et al.	.....	D21/735
D472,595 S *	4/2003	Tang et al.	.....	D21/735
D483,824 S *	12/2003	Tang et al.	.....	D21/738
D502,235 S *	2/2005	Burrows	.....	D21/742
D518,127 S *	3/2006	Tang et al.	.....	D21/742

D545,385 S *	6/2007	Tang et al.	.....	D21/736
D548,296 S *	8/2007	Rollinson	.....	D21/744
D557,361 S *	12/2007	Rollinson	.....	D21/743

\* cited by examiner

*Primary Examiner*—Mitchell I Siegel

(74) *Attorney, Agent, or Firm*—Michael A. Catania; Elaine H. Lo

(57) **CLAIM**

The ornamental design for a putter head, as shown and described.

**DESCRIPTION**

FIG. 1 is a top perspective view of a putter head as claimed herein;

FIG. 2 is a front elevational view thereof;

FIG. 3 is a top plan view thereof;

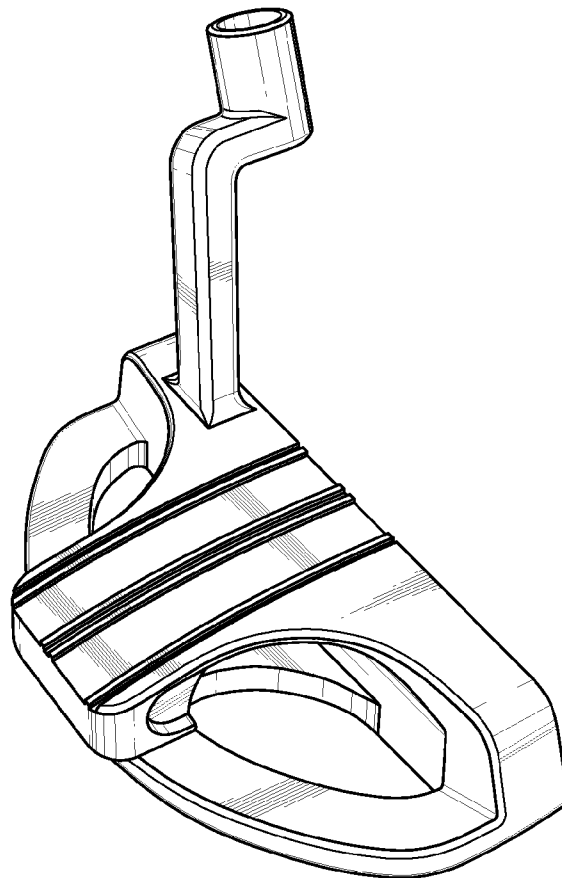
FIG. 4 is a rear elevational view thereof;

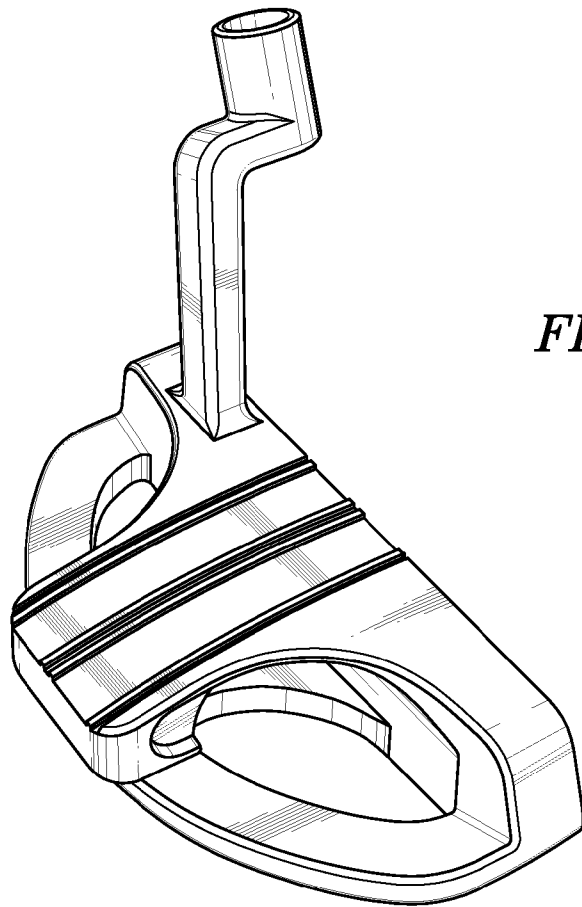
FIG. 5 is a bottom plan view thereof

FIG. 6 is a heel elevational view thereof; and,

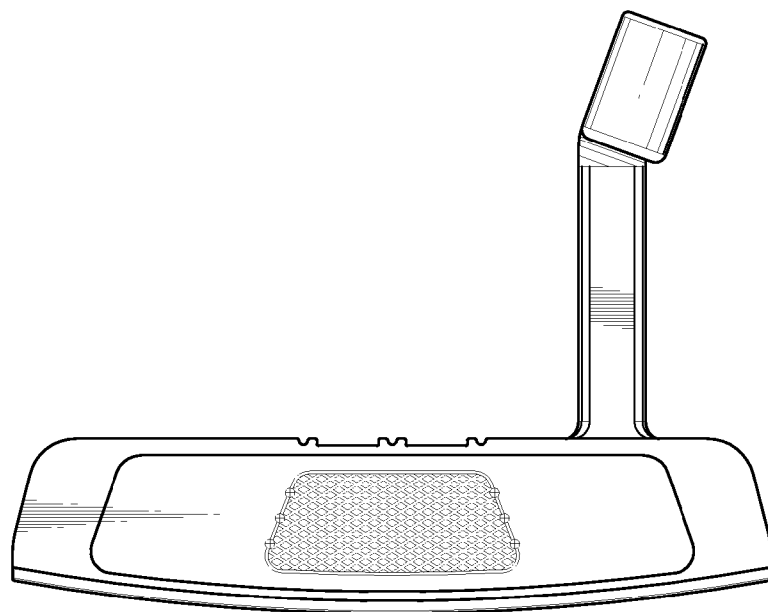
FIG. 7 is a toe elevational view thereof.

**1 Claim, 3 Drawing Sheets**

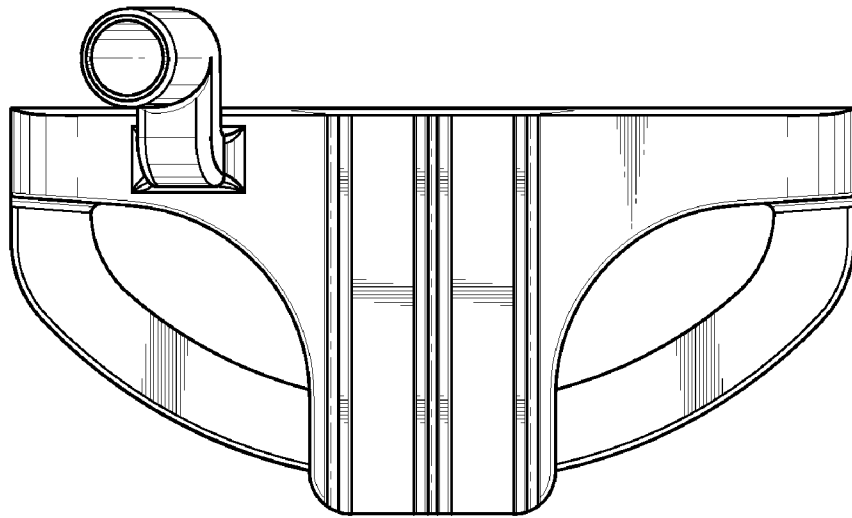




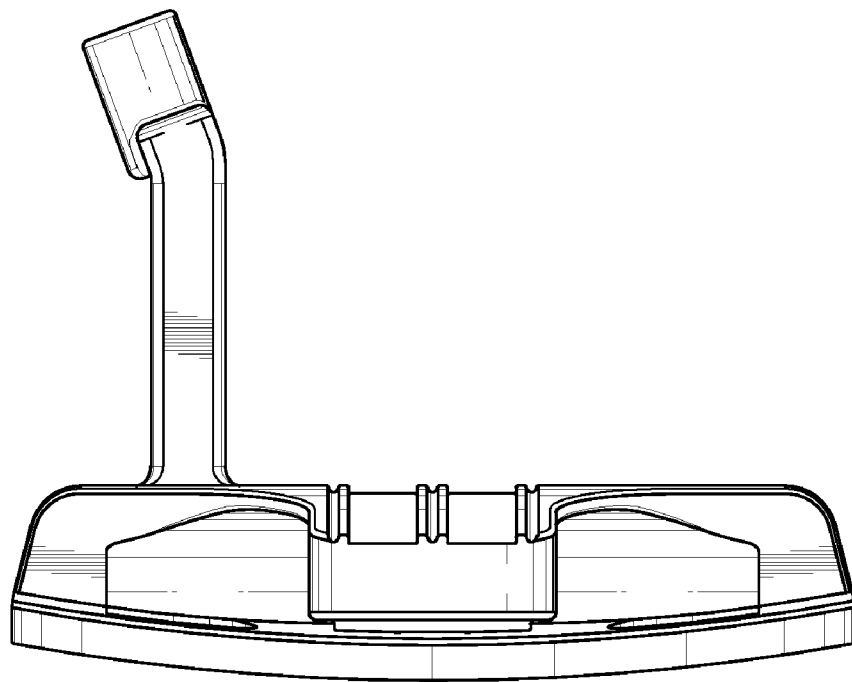
*FIG. 1*



*FIG. 2*



*FIG. 3*



*FIG. 4*

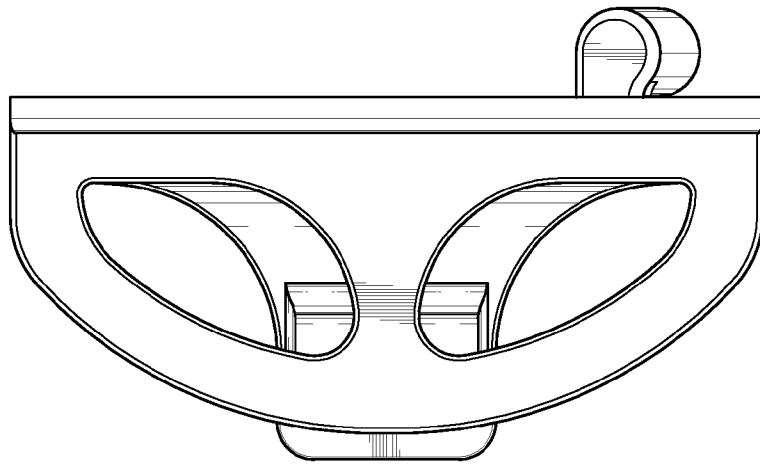


FIG. 5

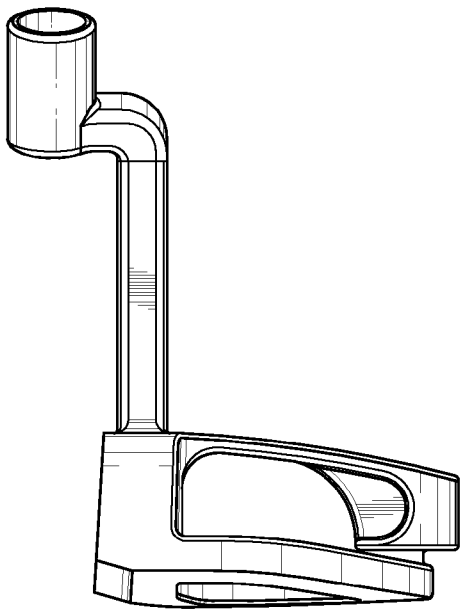


FIG. 6

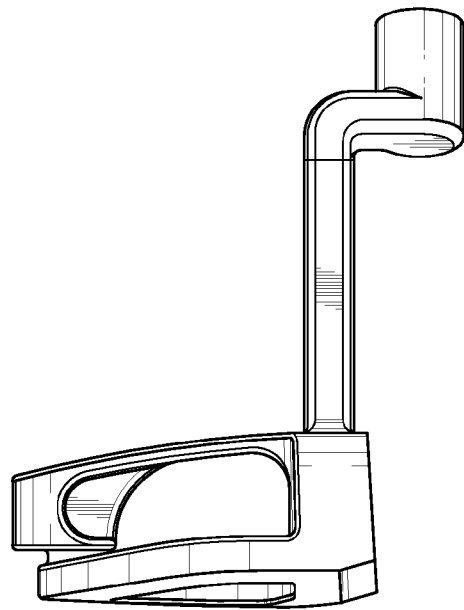


FIG. 7