



US00D982017S

(12) **United States Design Patent**
van de Kamp et al.

(10) **Patent No.:** **US D982,017 S**

(45) **Date of Patent:** **** Mar. 28, 2023**

(54) **MOUNT FOR ELECTRONIC DEVICES**

(71) Applicant: **Innovelis, Inc.**, Sammamish, WA (US)

(72) Inventors: **Ian Jacob van de Kamp**, Seattle, WA (US); **Eric John Wengreen**, Sammamish, WA (US)

(73) Assignee: **Innovelis, Inc.**, Sammamish, WA (US)

(**) Term: **15 Years**

(21) Appl. No.: **29/767,477**

(22) Filed: **Jan. 22, 2021**

(51) **LOC (14) Cl.** **14-02**

(52) **U.S. Cl.**

USPC **D14/447**; D21/333

(58) **Field of Classification Search**

USPC ... D14/209.1, 217, 224, 253, 434, 447, 453;
D13/108; D19/75; D6/682; D8/380;
D21/333

CPC .. F16M 13/00; A47B 2023/049; A47B 23/04;
A47B 2220/0091

See application file for complete search history.

(56) **References Cited**

U.S. PATENT DOCUMENTS

D279,630 S	7/1985	Bart	
D421,272 S	2/2000	Patel	
D453,155 S	1/2002	Michel	
D552,611 S	10/2007	Hagiwara	
D572,311 S	7/2008	Curless	
D579,004 S	10/2008	Bang	
8,061,721 B2	11/2011	Ganz	
D651,213 S *	12/2011	Magness	D14/447
D656,125 S	3/2012	Komiyama	
D662,089 S *	6/2012	Gougherty	D14/224
D684,145 S	6/2013	Rath	
D688,202 S	8/2013	Mecca	
D688,670 S *	8/2013	Huang	D14/447
D692,009 S *	10/2013	Ashida	D14/447
D730,888 S *	6/2015	Malsan	D14/253

D764,133 S	8/2016	Goodman	
9,421,472 B2 *	8/2016	Buller	A63F 13/98
D765,623 S *	9/2016	Yang	D14/224
D776,080 S	1/2017	Enquist	
D797,705 S *	9/2017	Zheng	D14/217
D809,905 S	2/2018	Gunderson	
D857,610 S	8/2019	Meldrum	

(Continued)

OTHER PUBLICATIONS

Amazon.com_ TotalMount Holders for PS5 Controllers, first available Jun. 27, 2021 [online], retrieved Jan. 11, 2023, available at URL: <https://a.co/d/eHkPnBJ> (Year: 2021)*

(Continued)

Primary Examiner — Wendy L Arminio

Assistant Examiner — Carrie S Gelula

(57)

CLAIM

The ornamental design for a mount for electronic devices, as shown and described.

DESCRIPTION

FIG. 1 is a front, first side, and top perspective view of a mount for electronic devices embodying the new design; FIG. 2 is a back, second side, and bottom perspective view thereof;

FIG. 3 is a back, second side, and top perspective view thereof;

FIG. 4 is a front view thereof;

FIG. 5 is a back view thereof;

FIG. 6 is a second side view thereof;

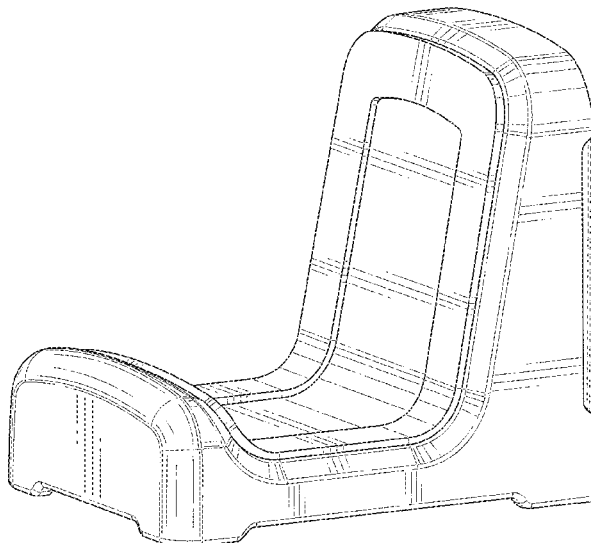
FIG. 7 is a first side view thereof;

FIG. 8 is a top view thereof; and,

FIG. 9 is a bottom view thereof.

The uniform repeating broken lines depict portions of a mount for electronic devices in which the claimed design is embodied and form no part of the claimed design.

1 Claim, 9 Drawing Sheets



(56)

References Cited

U.S. PATENT DOCUMENTS

D876,424	S	2/2020	Ryan	
D885,481	S	5/2020	Tung	
D886,201	S *	6/2020	Kanter	D21/333
D905,021	S	12/2020	Wengreen	
11,231,744	B2 *	1/2022	Wengreen	H04R 1/026
D968,201	S *	11/2022	Chalfin	D8/367

OTHER PUBLICATIONS

Amazon.com_ TotalMount Controller Wall Stands, first available Jun. 22, 2021 [online], retrieved Jan. 11, 2023, available at URL: <https://a.co/d/5ao66k9> (Year: 2021).*

Amazon.com_ Reeyear Game Controller Holder, first available Nov. 16, 2019 [online], retrieved Jan. 11, 2023, available at URL: <https://a.co/d/0Psy5WB> (Year: 2019).*

Headphone mount (ASIN B07PFV1NQX) available on Amazon.com prior to Oct. 2019, downloaded on Apr. 1, 2020 from <https://www.amazon.com/gp/product/B07PFV1NQX>.

Headphone mount (ASIN B01GJQ7N94) available on Amazon.com

prior to Oct. 2019, downloaded on Apr. 1, 2020 from <https://www.amazon.com/gp/product/B01GJQ7N94>.

Headphone mount (ASIN B00P31BMHG) available on Amazon.com prior to Oct. 2019, downloaded on Apr. 1, 2020 from <https://www.amazon.com/gp/product/B00P31BMHG>.

Headphone mount (ASIN B07BVK2FQW) available on Amazon.com prior to Oct. 2019, downloaded on Apr. 1, 2020 from <https://www.amazon.com/gp/product/B07BVK2FQW>.

Headphone mount (ASIN B077MBVHP7) available on Amazon.com prior to Oct. 2019, downloaded on Apr. 1, 2020 from <https://www.amazon.com/gp/product/B077MBVHP7>.

Headphone mount (ASIN B012VIWG28) available on Amazon.com prior to Oct. 2019, downloaded on Apr. 1, 2020 from <https://www.amazon.com/gp/product/B012VIWG28>.

Headphone mount (ASIN B0192P8U5U) available on Amazon.com prior to Oct. 2019, downloaded on Apr. 1, 2020 from <https://www.amazon.com/gp/product/B0192P8U5U>.

Innovelis headphone mount (ASIN B086Z97S3H) available on Amazon.com as of Apr. 10, 2020, downloaded on Sep. 16, 2021 from <https://www.amazon.com/dp/B086Z97S3H>.

* cited by examiner

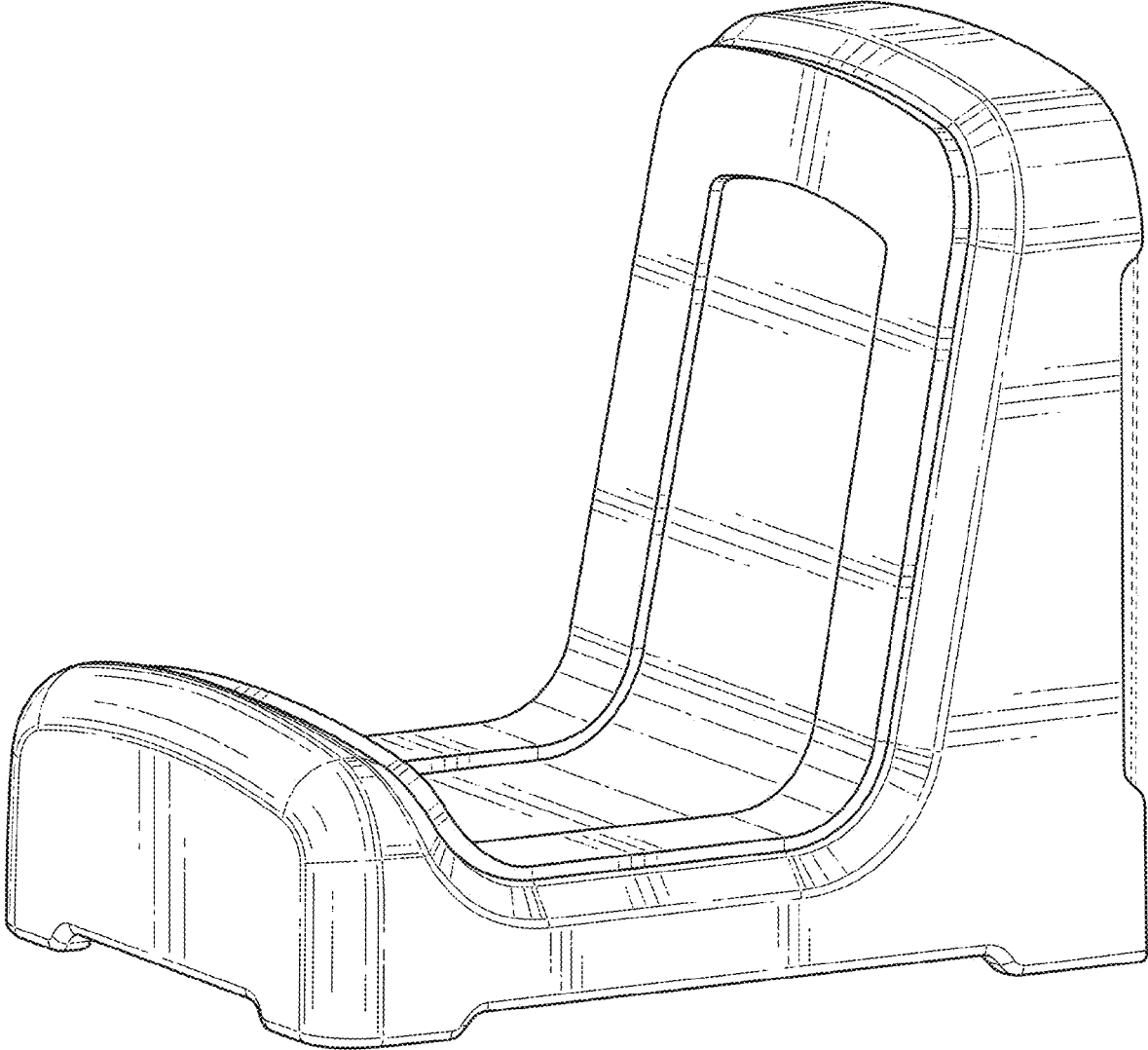


FIG. 1

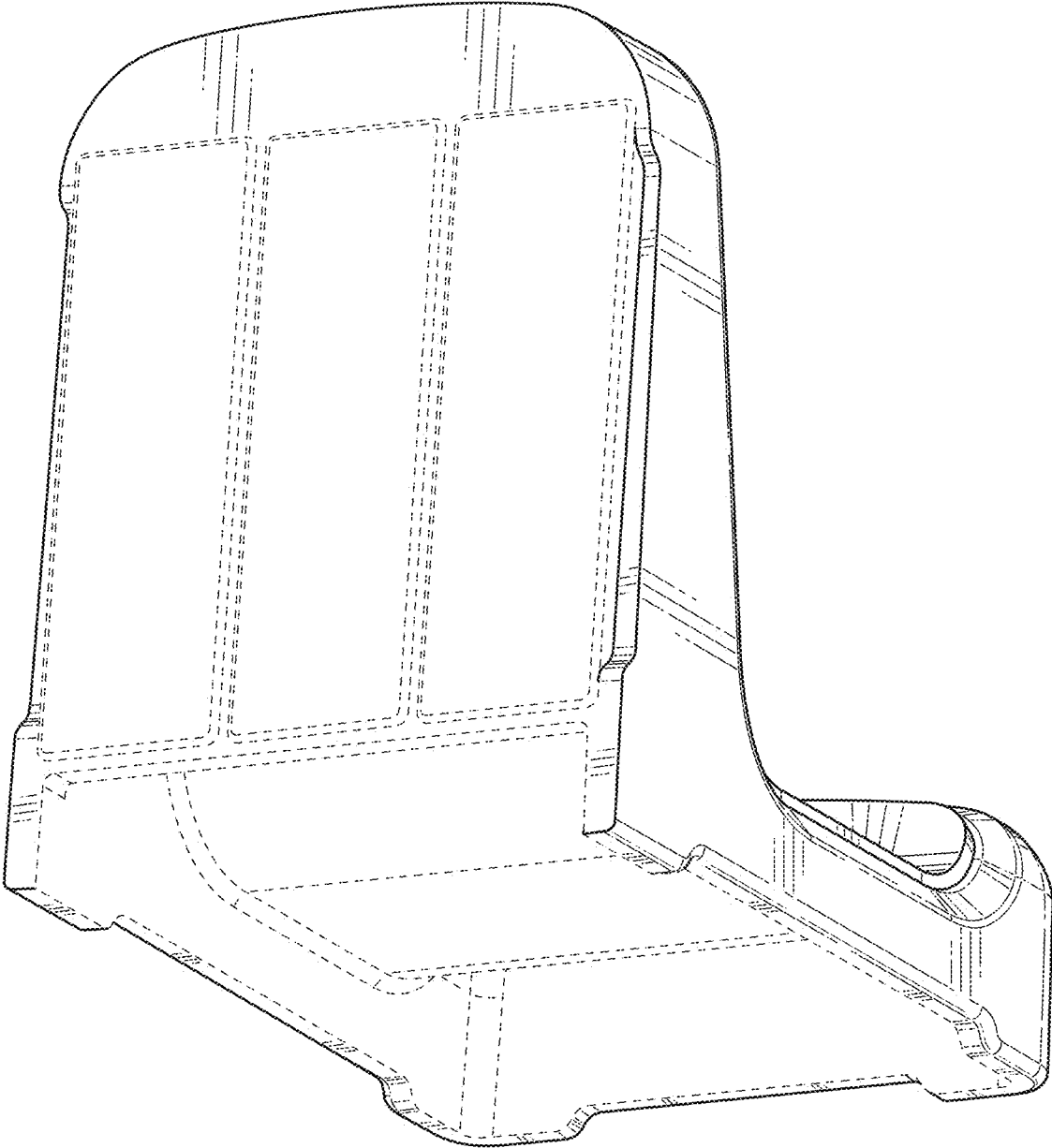


FIG. 2

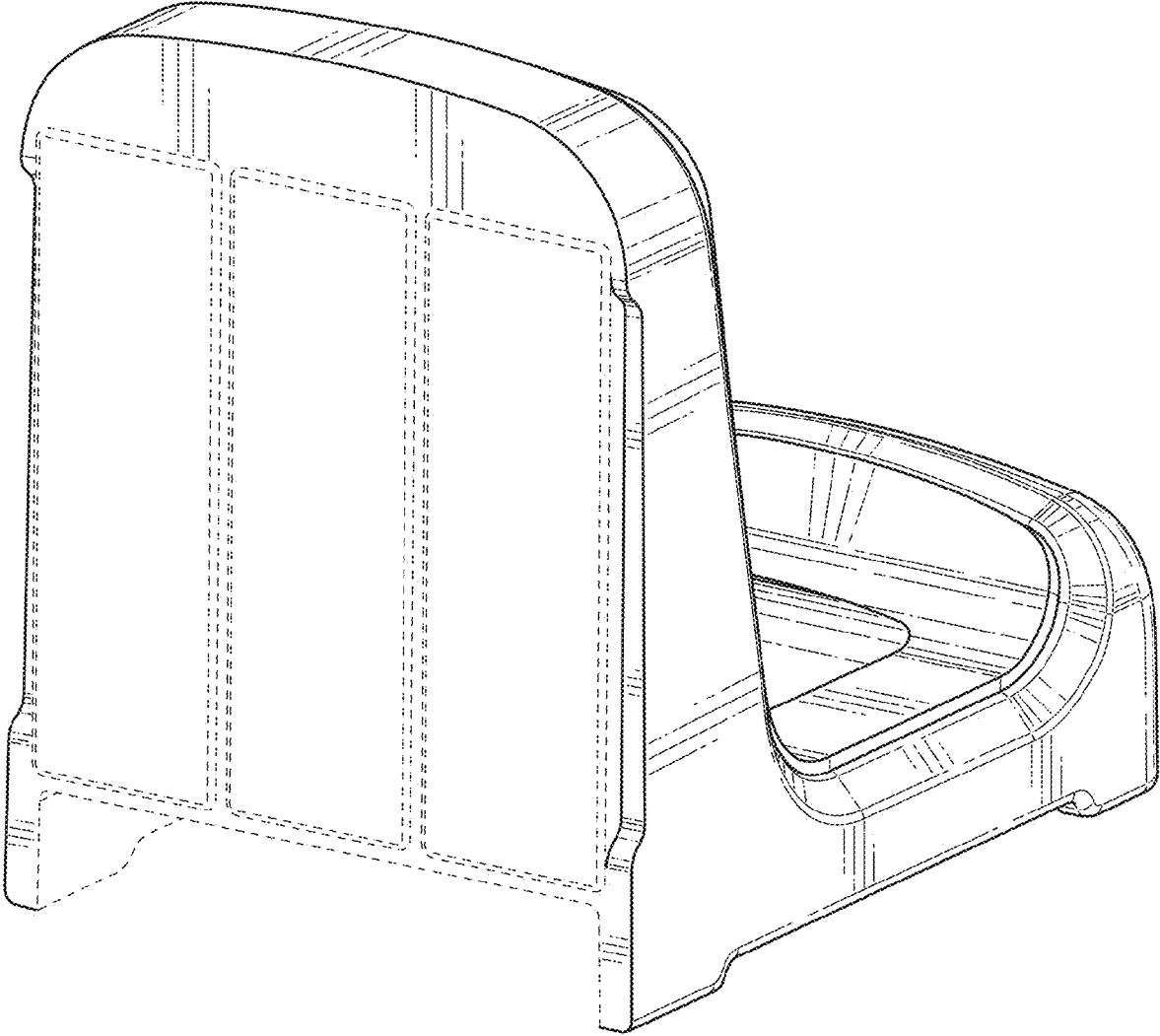


FIG. 3

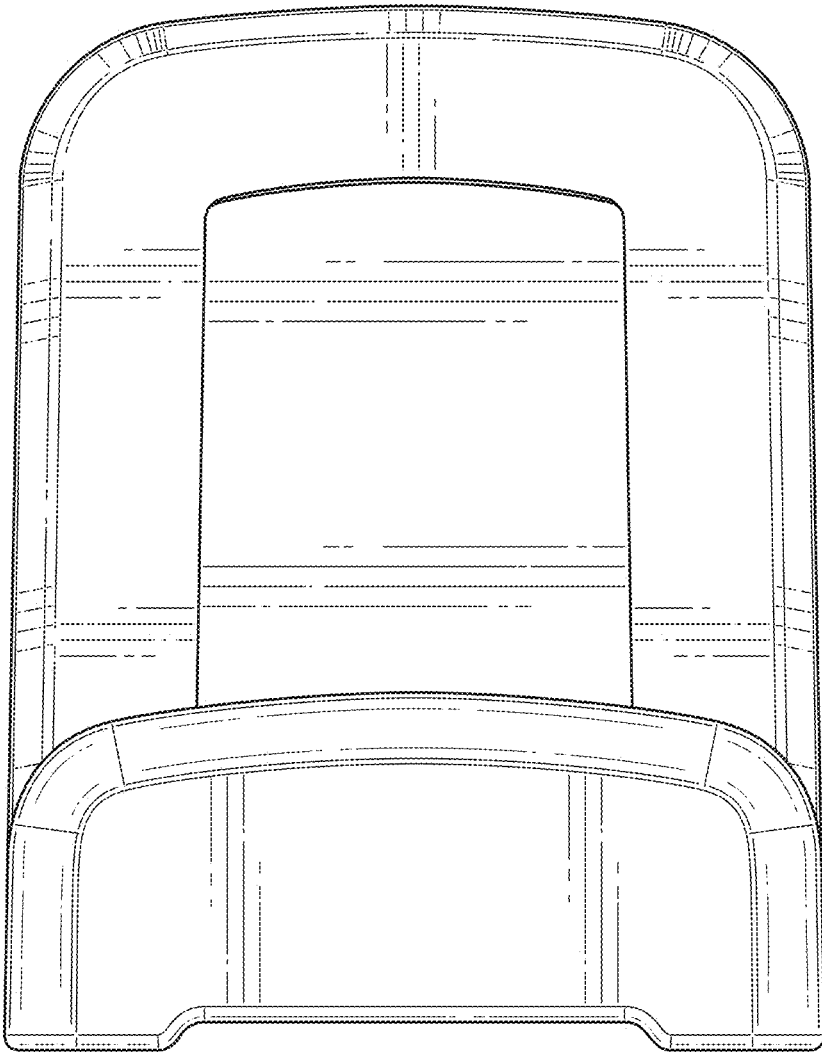


FIG. 4

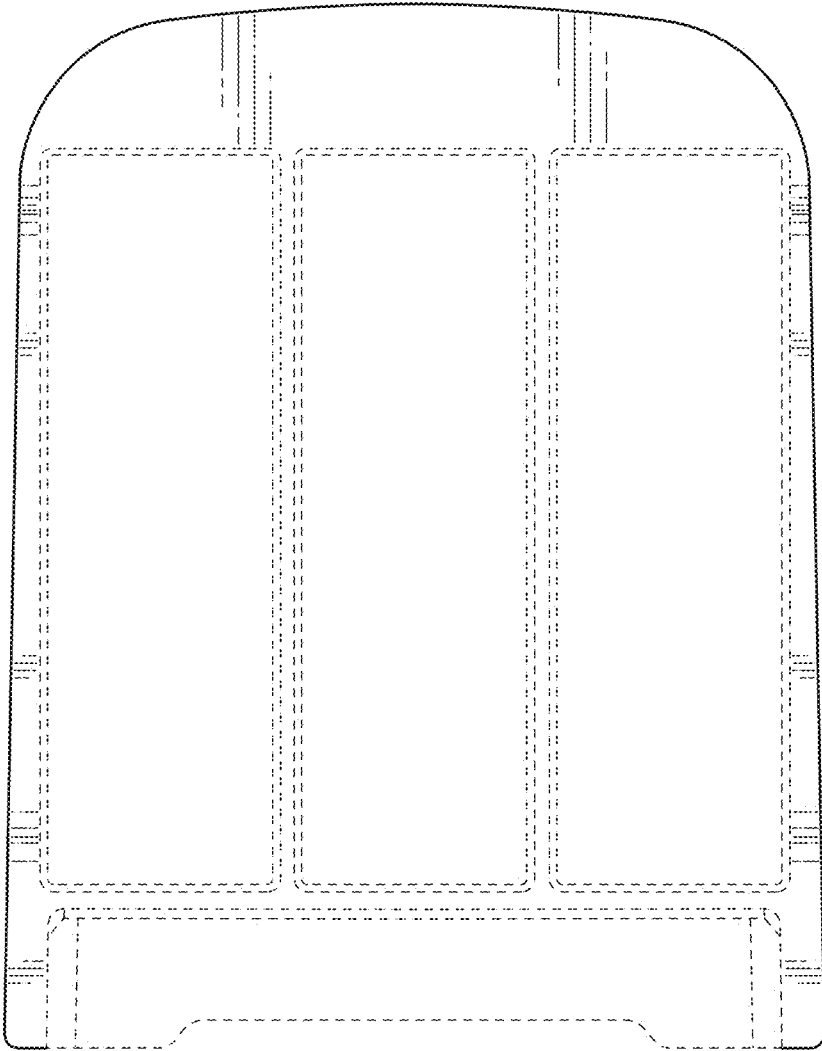


FIG. 5

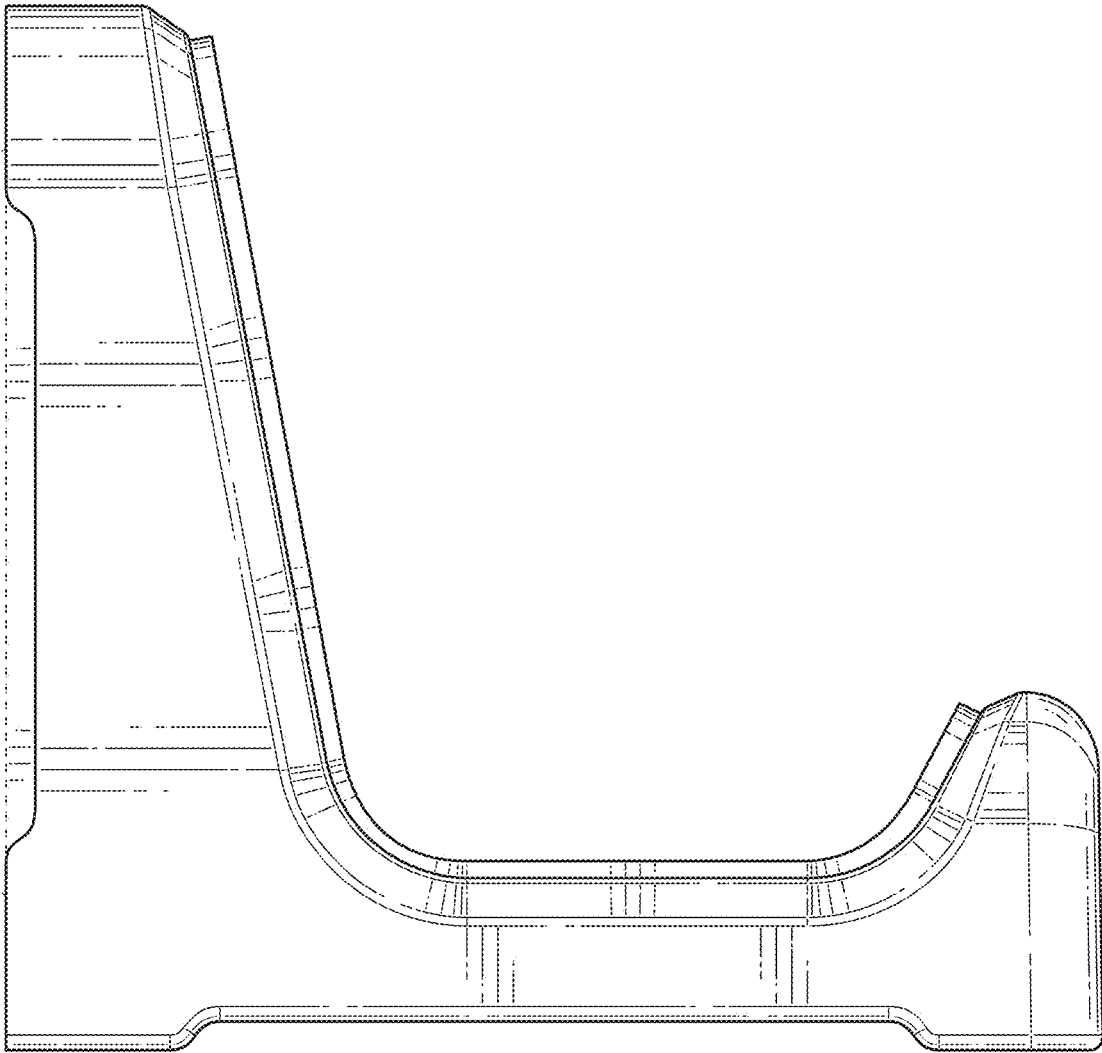


FIG. 6

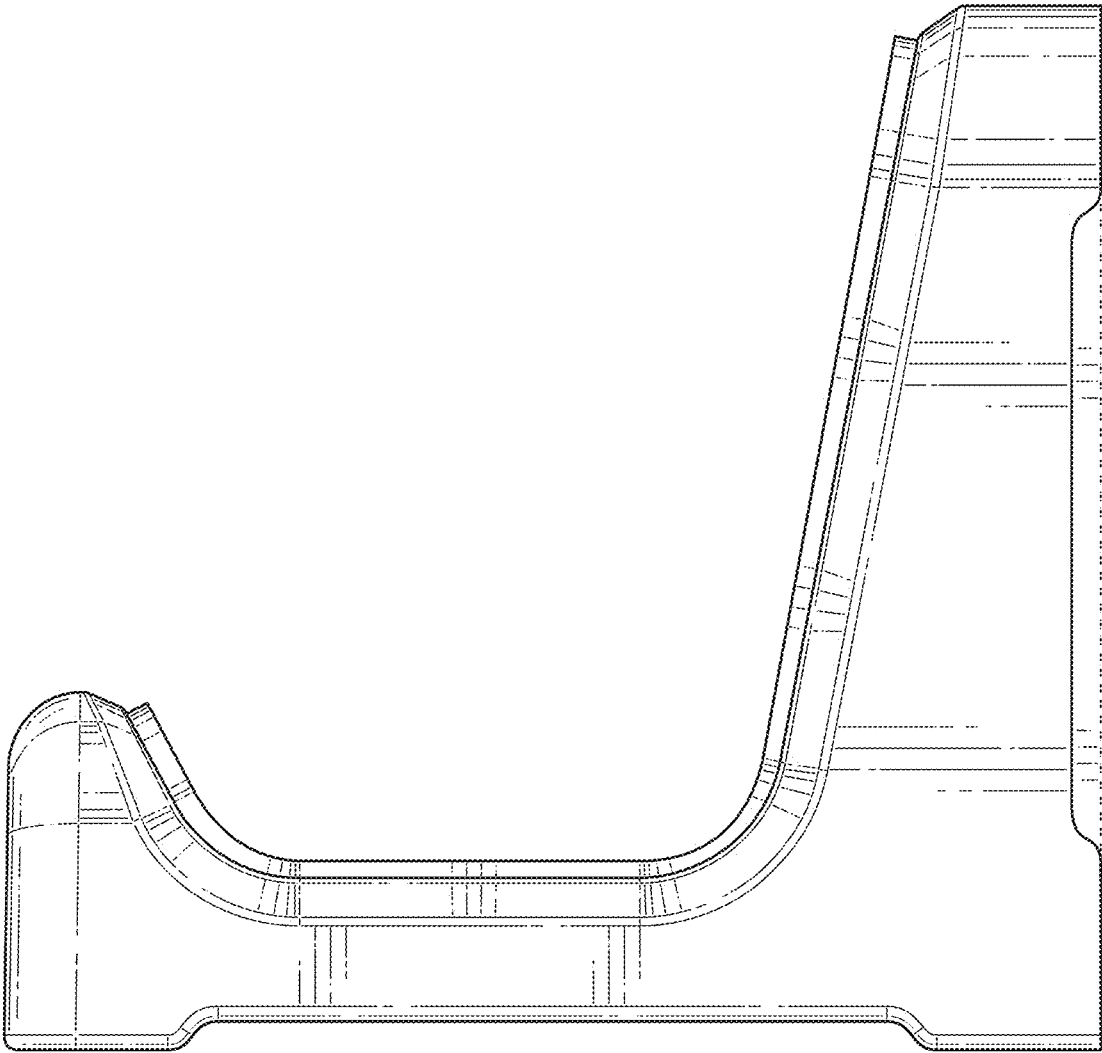


FIG. 7

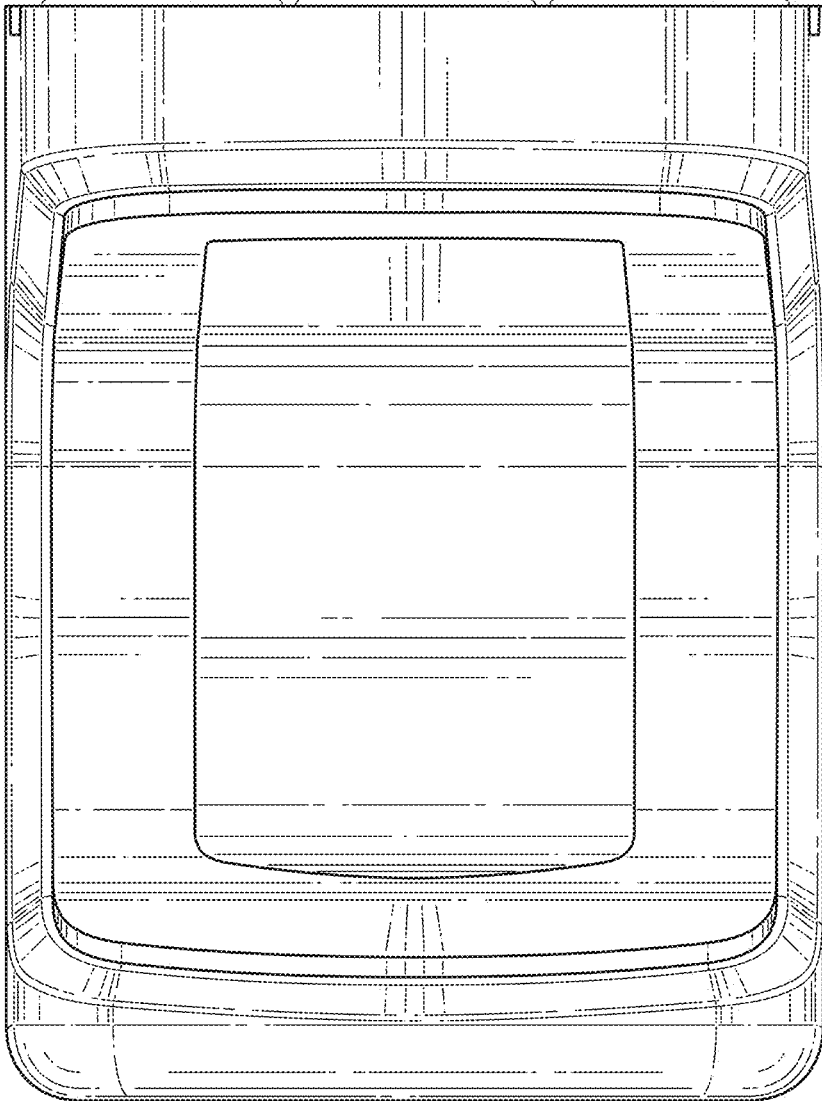


FIG. 8

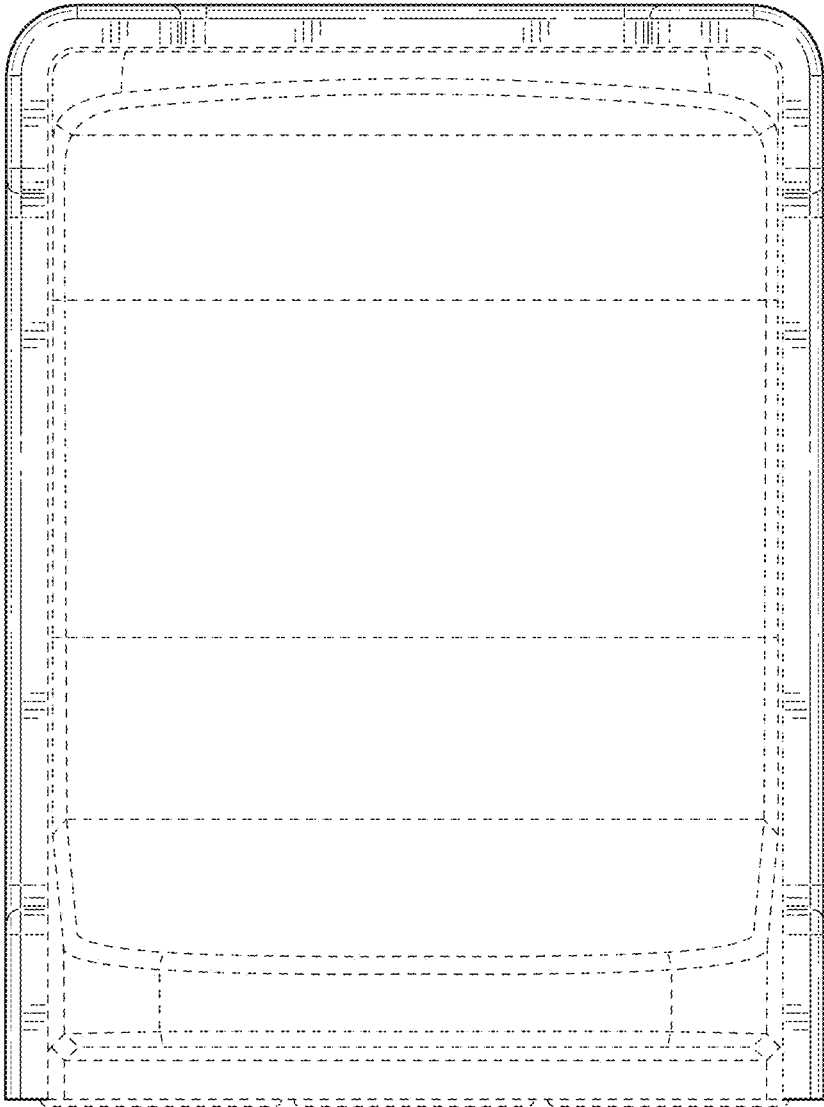


FIG. 9