



US00D848510S

(12) **United States Design Patent**
Kamei

(10) **Patent No.:** **US D848,510 S**

(45) **Date of Patent:** **** May 14, 2019**

(54) **INSTANT CAMERA**

(71) Applicant: **FUJIFILM Corporation**, Tokyo (JP)

(72) Inventor: **Keita Kamei**, Tokyo (JP)

(73) Assignee: **FUJIFILM Corporation**, Minato-Ku (JP)

(**) Term: **15 Years**

(21) Appl. No.: **29/621,881**

(22) Filed: **Oct. 12, 2017**

(30) **Foreign Application Priority Data**

Apr. 13, 2017 (JP) 2017-007936

(51) **LOC (11) Cl.** **16-01**

(52) **U.S. Cl.**
USPC **D16/218**

(58) **Field of Classification Search**

USPC D16/200, 202–206, 208, 218, 219, 242;
348/164, 347, 373–376; 396/535,
396/539–541; 250/330, 332

CPC G03B 15/03; G03B 17/02; G03B 17/04;
G03B 17/56; G03B 19/04; H04N 5/2251;
H04N 5/2252; H04N 5/2253; H04N
5/2254; H04N 2101/00; H04N 5/33;
H04N 5/332

See application file for complete search history.

(56) **References Cited**

U.S. PATENT DOCUMENTS

D692,939 S * 11/2013 Huang D16/218
D697,122 S * 1/2014 Ikegame D16/218

D709,543 S * 7/2014 Isozaki D16/218
D733,780 S * 7/2015 Chen D16/202
D744,572 S * 12/2015 Tabuchi D16/218
D754,234 S * 4/2016 Lee D16/218
D754,769 S * 4/2016 Patulski D16/202
D755,274 S * 5/2016 Lee D16/218
D764,559 S * 8/2016 Luo D16/202
D779,576 S * 2/2017 Ikegame D16/211
D779,577 S * 2/2017 Ikegame D16/211
D781,362 S * 3/2017 Ikegame D16/211
D781,363 S * 3/2017 Ikegame D16/211

* cited by examiner

Primary Examiner — Ramzi S Almatrahi

(74) *Attorney, Agent, or Firm* — Sughrue Mion, PLLC

(57) **CLAIM**

The ornamental design for an instant camera, as shown and described.

DESCRIPTION

FIG. 1 is a top, front and right side perspective view of an instant camera showing my new design;
FIG. 2 is a top, rear and left side perspective view thereof;
FIG. 3 is a front elevational view thereof;
FIG. 4 is a rear elevational view thereof;
FIG. 5 is a top plan view thereof;
FIG. 6 is a bottom plan view thereof;
FIG. 7 is a left side elevational view thereof;
FIG. 8 is a right side elevational view thereof; and,
FIG. 9 is a top, front and right side perspective view thereof with a lens barrel protruded.

1 Claim, 8 Drawing Sheets

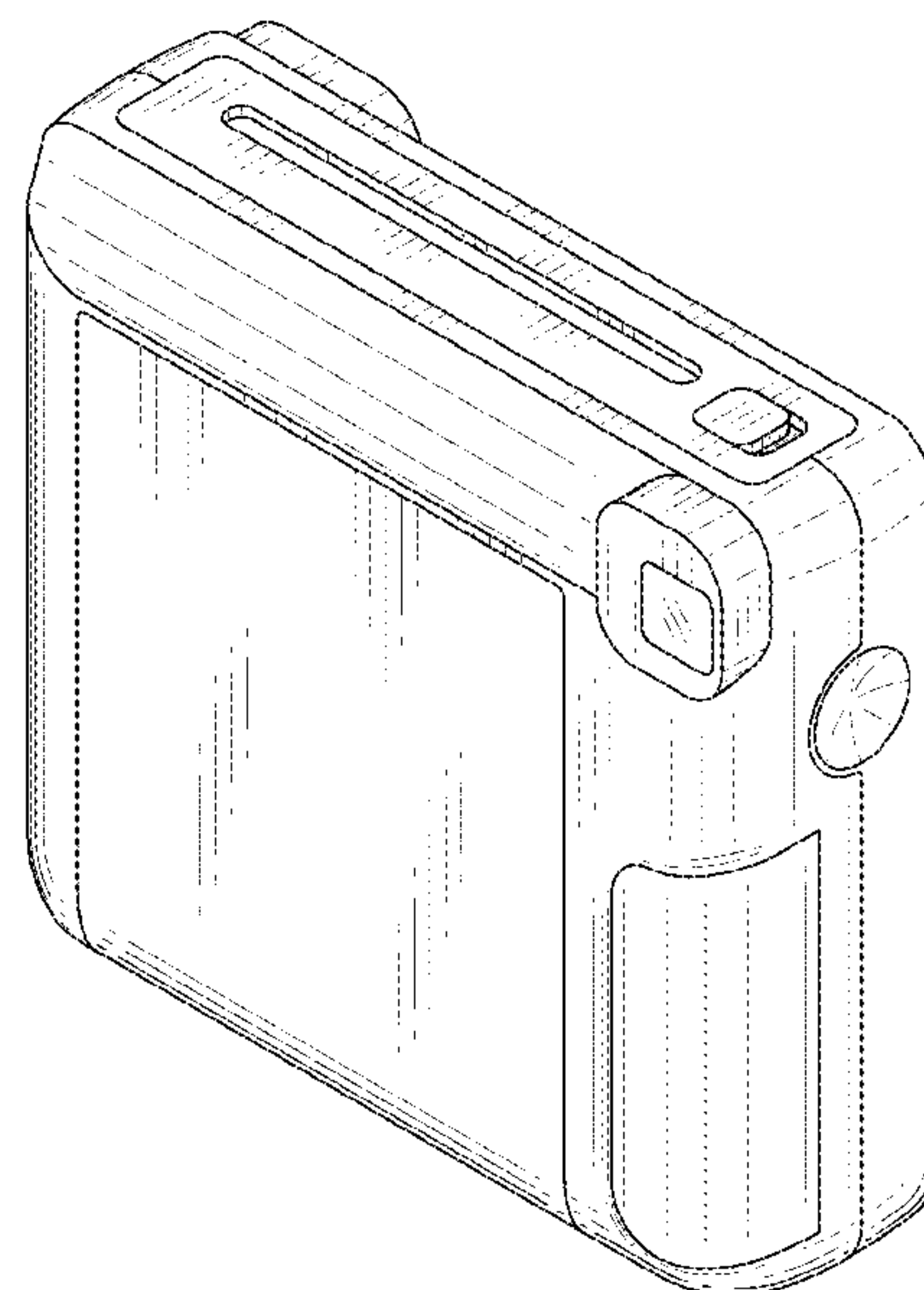
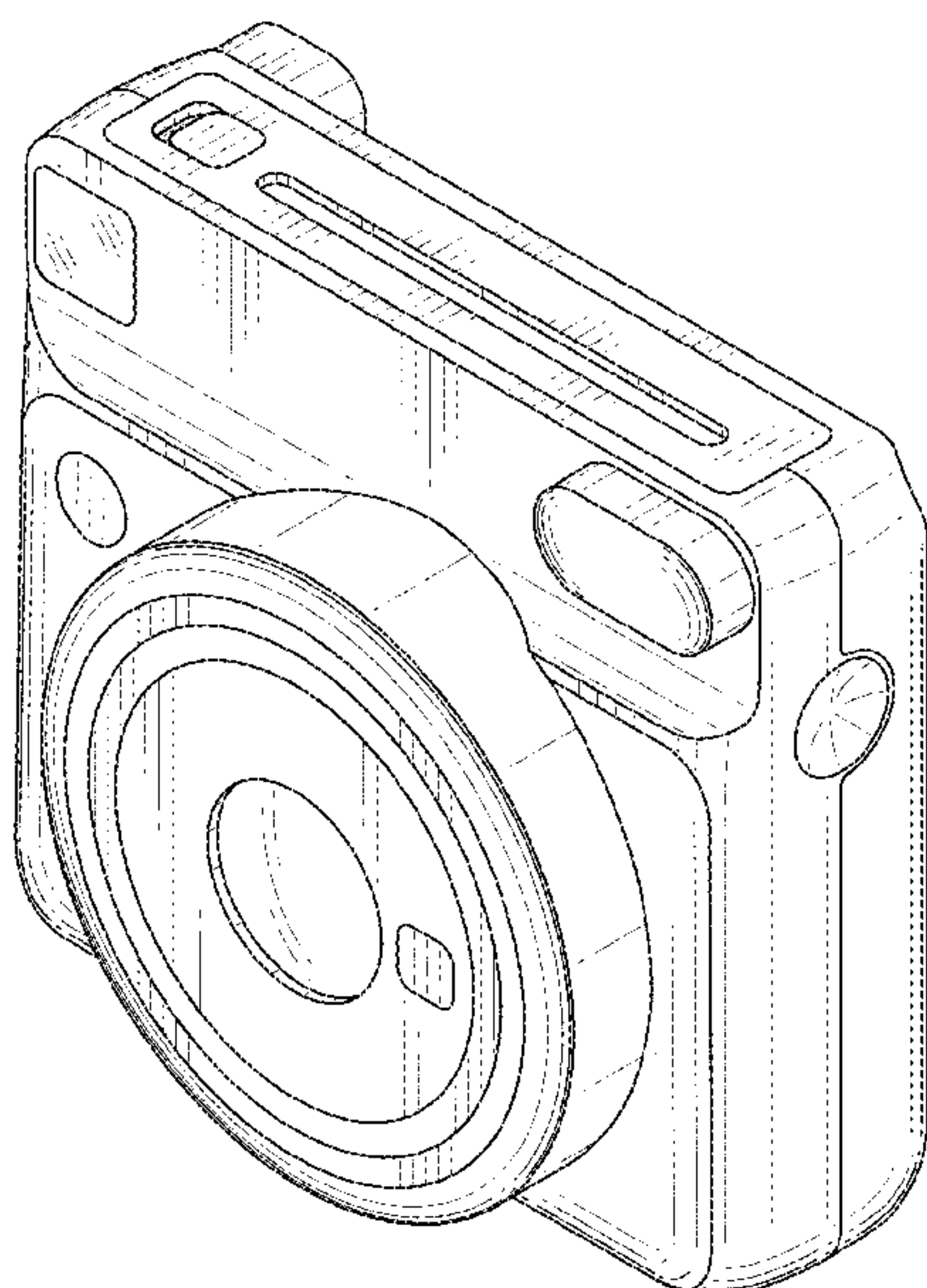


FIG. 1

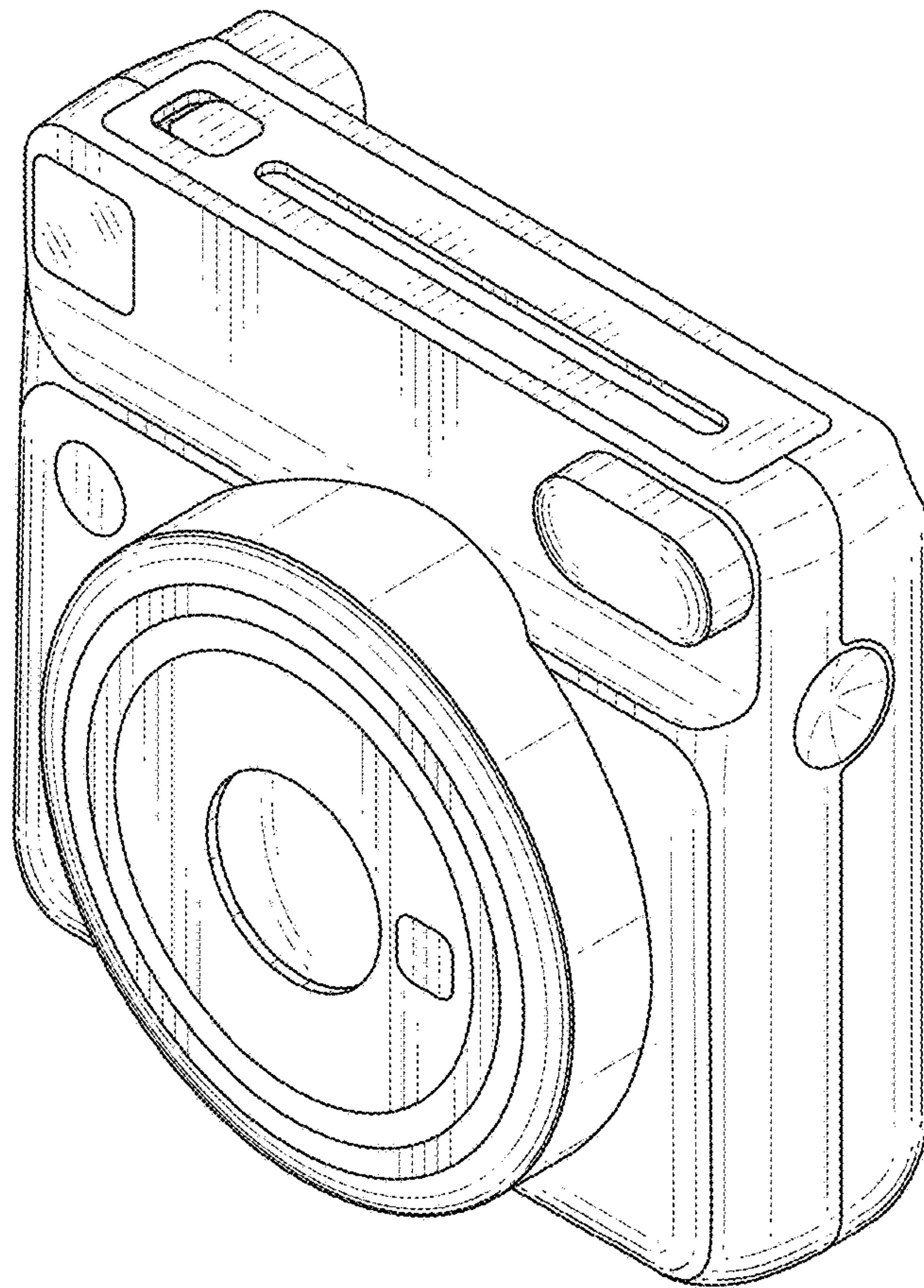


FIG.2

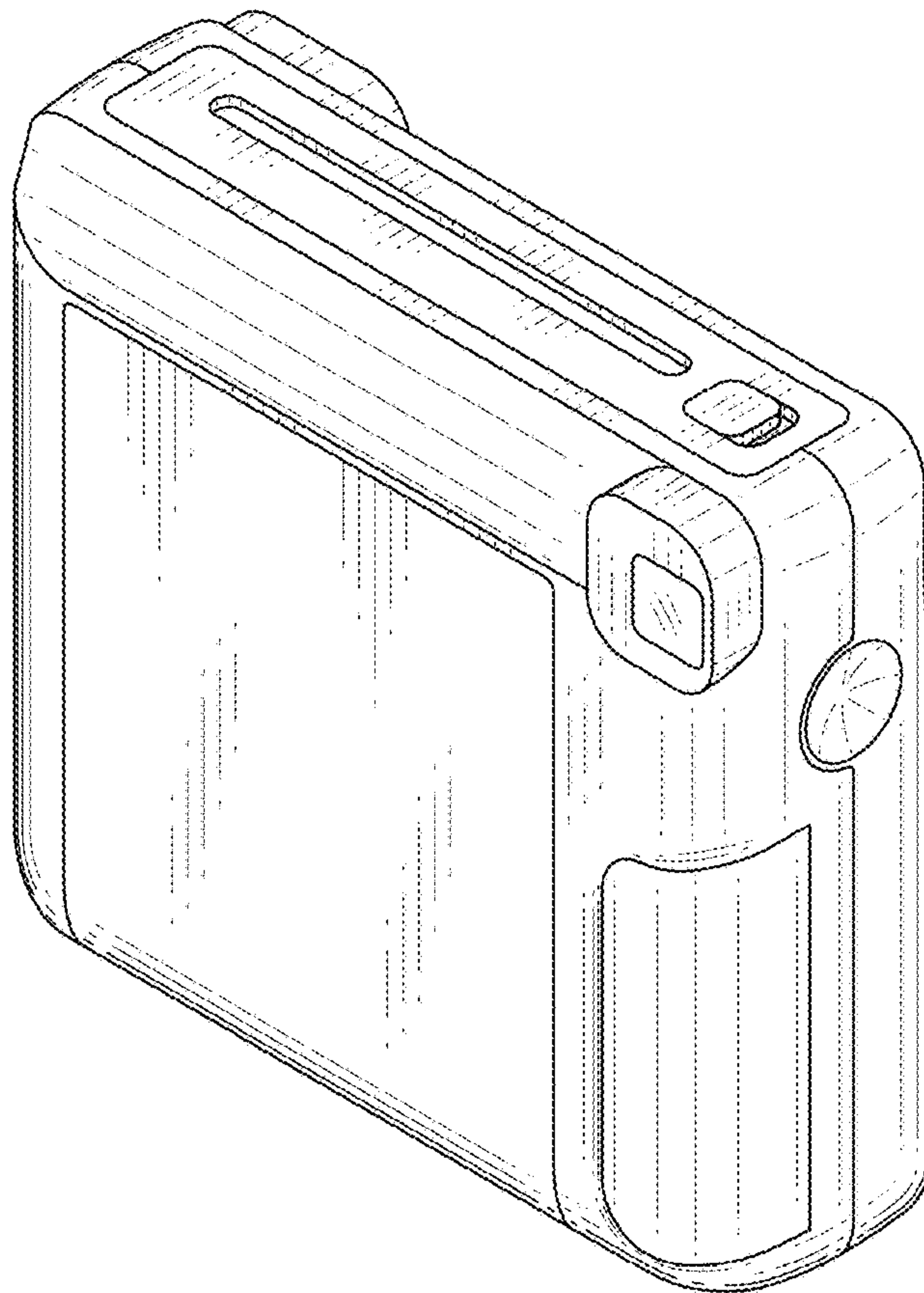


FIG.3

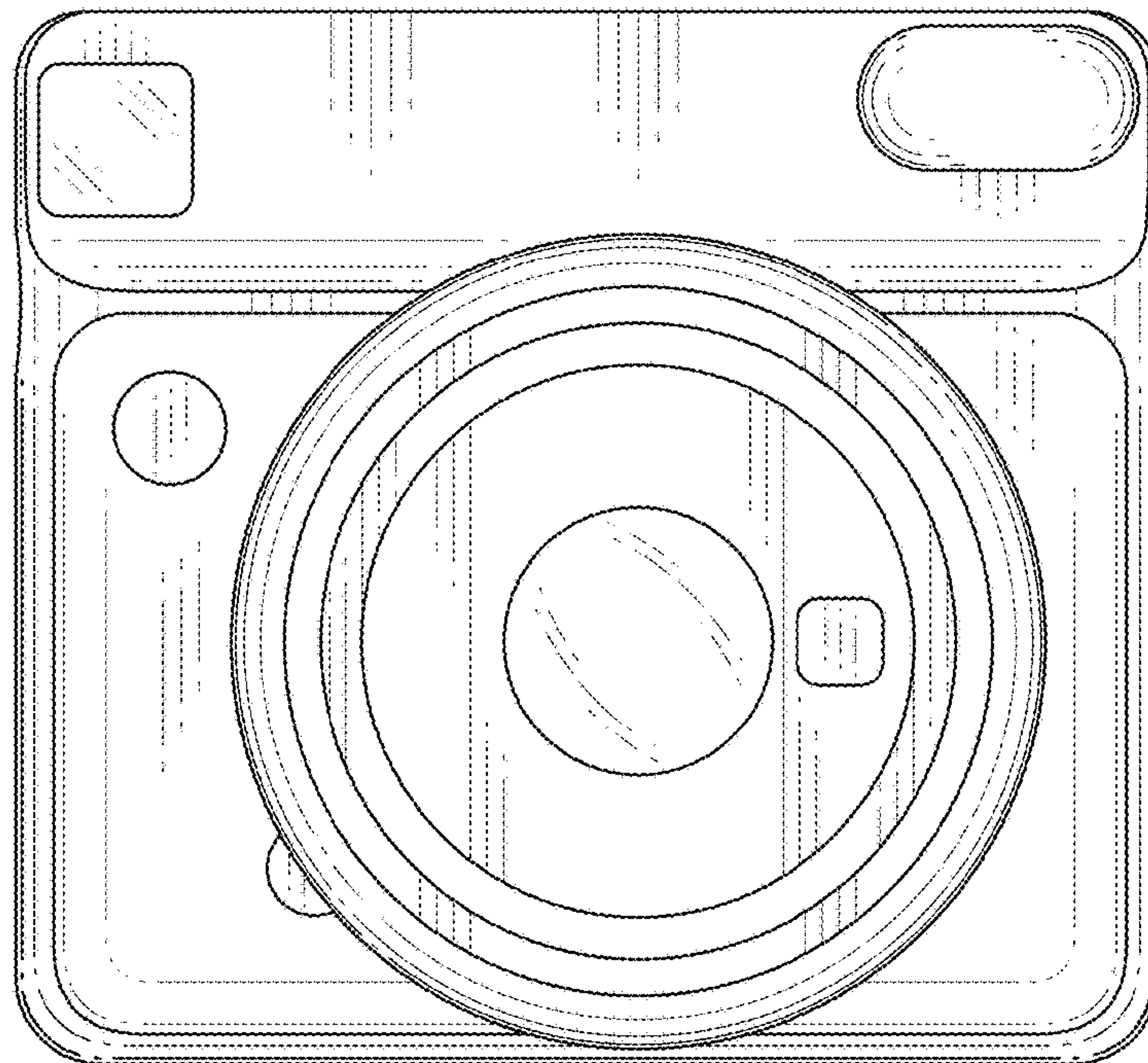


FIG.4

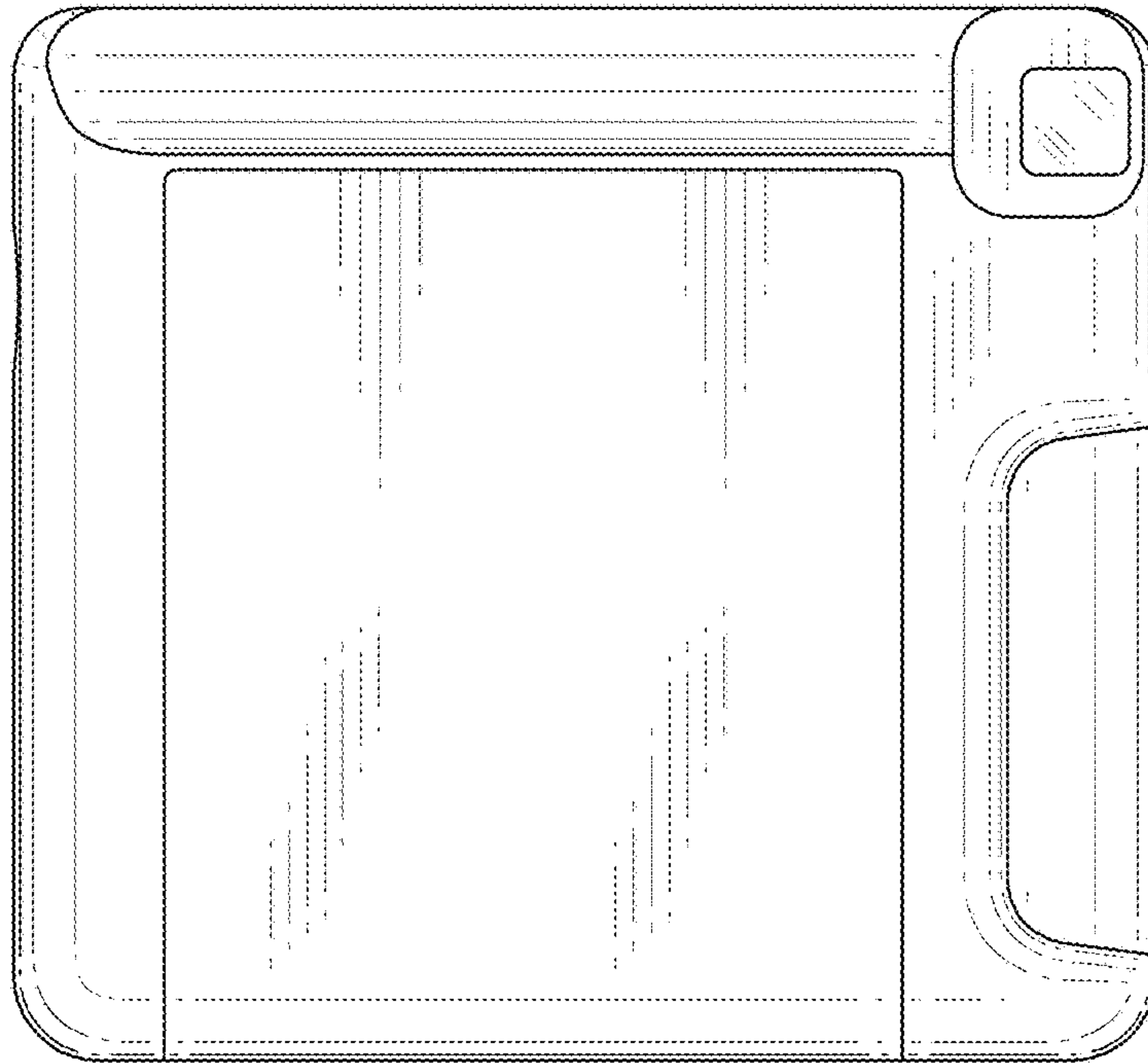


FIG.5

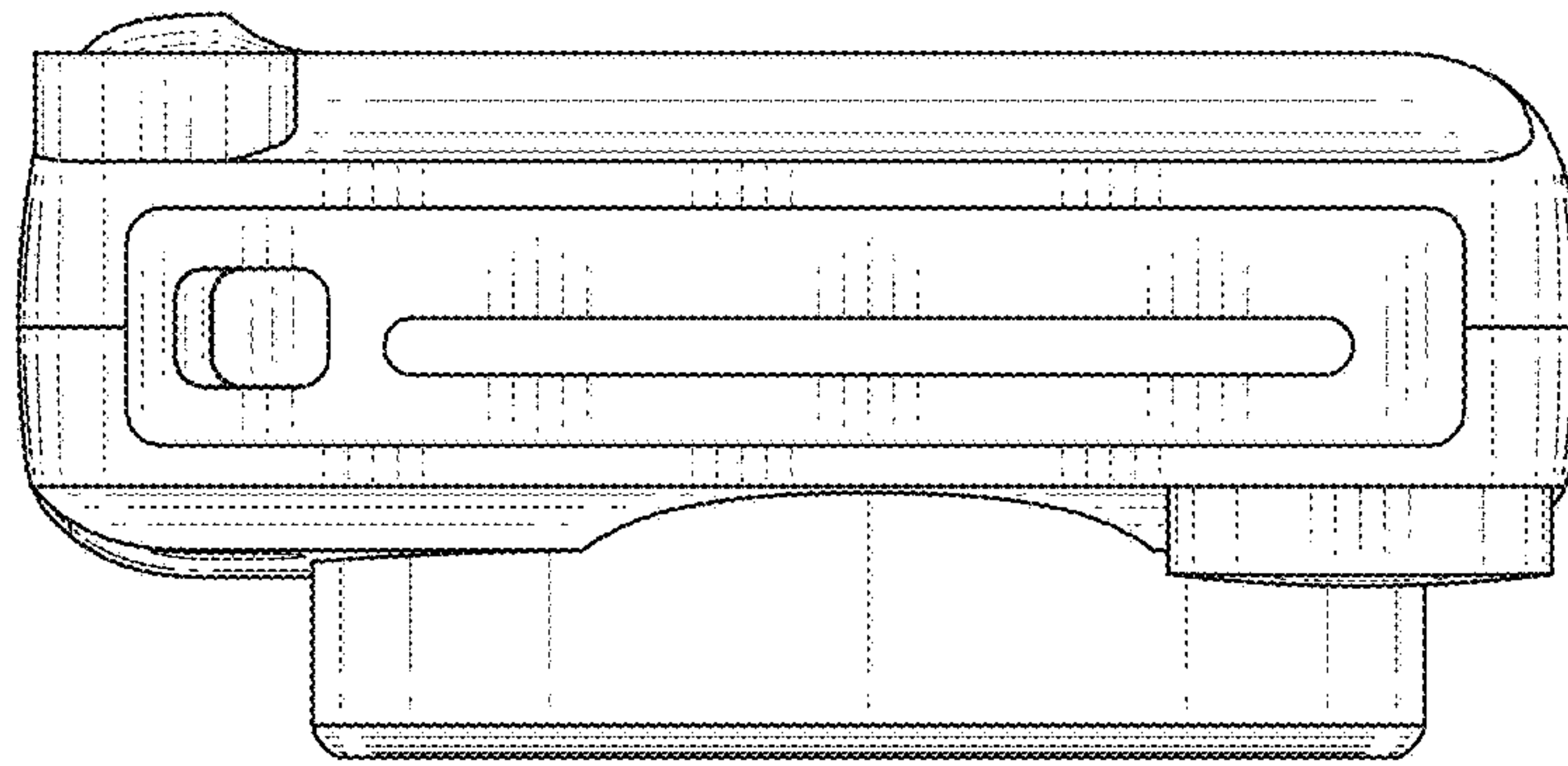


FIG.6

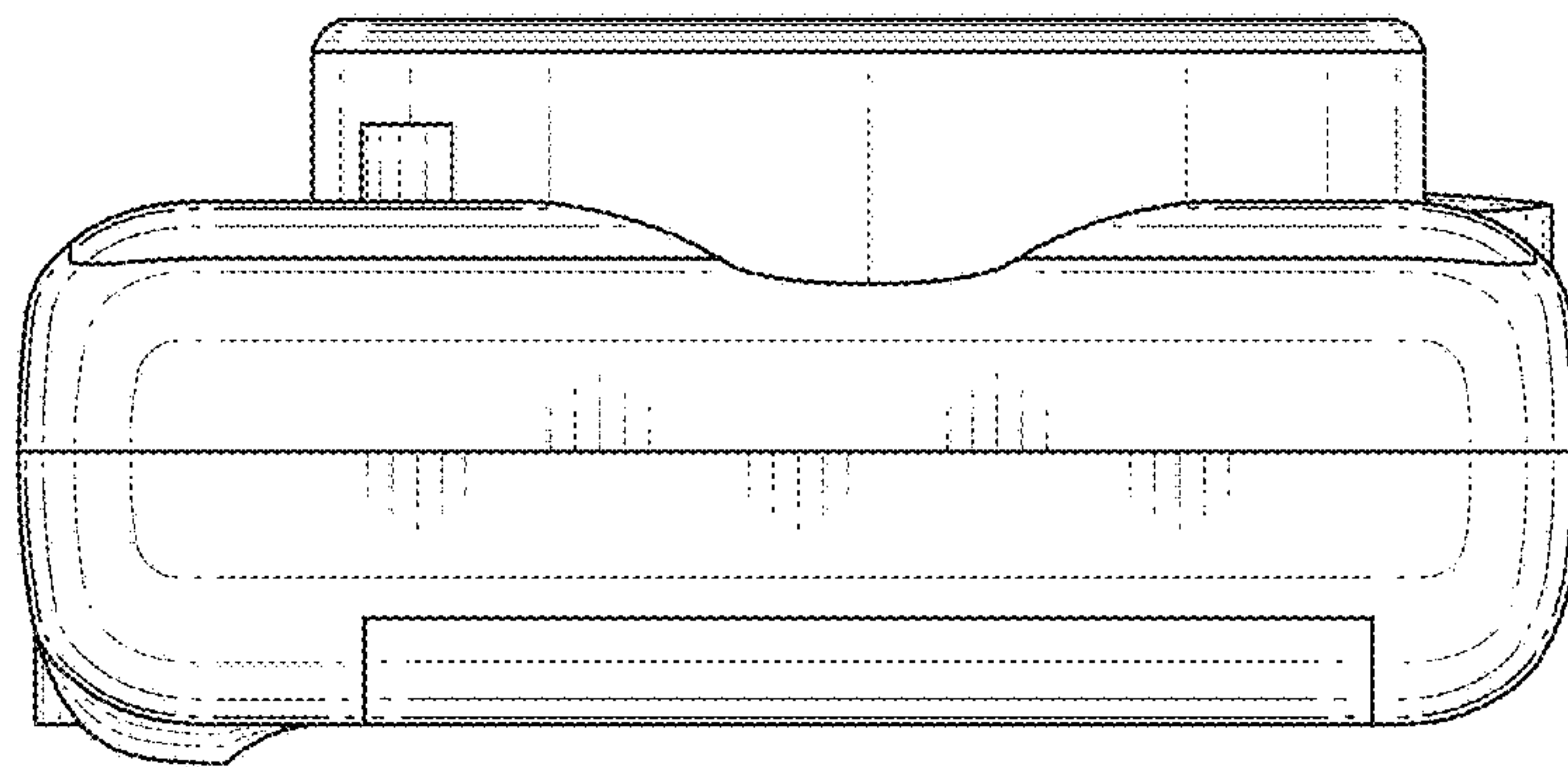


FIG. 7

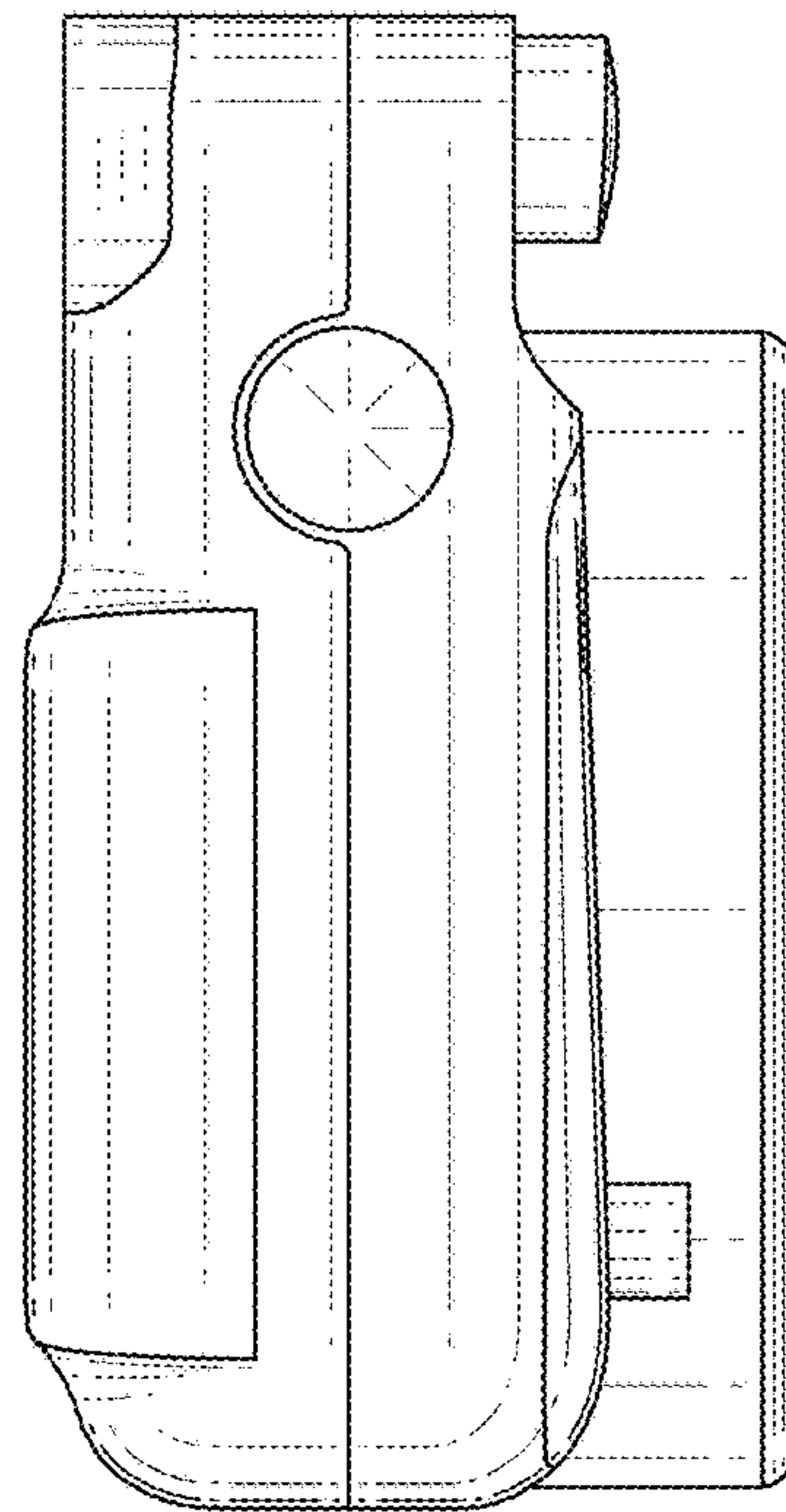


FIG.8

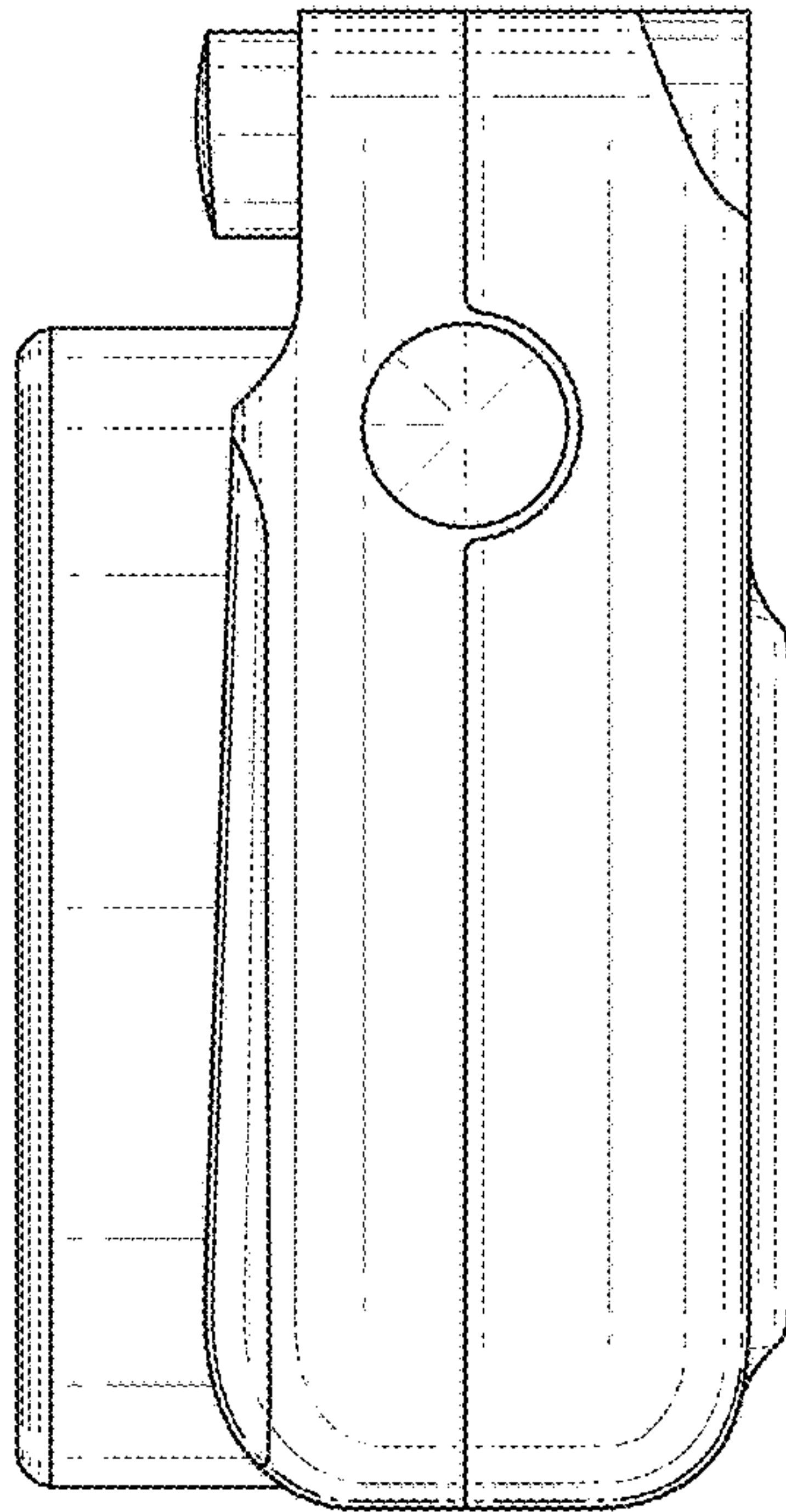


FIG.9

