



US00D950383S

(12) **United States Design Patent**
Aboabdo

(10) **Patent No.:** **US D950,383 S**

(45) **Date of Patent:** **** May 3, 2022**

(54) **CONTAINER**

(71) Applicant: **Chubby Gorilla, Inc.**, Fullerton, CA (US)

(72) Inventor: **Ibrahiem H. Aboabdo**, Yorba Linda, CA (US)

(73) Assignee: **Chubby Gorilla, Inc.**, Fullerton, CA (US)

(**) Term: **15 Years**

(21) Appl. No.: **29/744,903**

(22) Filed: **Jul. 31, 2020**

Related U.S. Application Data

(63) Continuation-in-part of application No. 29/726,144, filed on Feb. 28, 2020.

(51) **LOC (13) CL.** **09-01**

(52) **U.S. CL.**
USPC **D9/503**

(58) **Field of Classification Search**
USPC D9/500-505, 516, 519, 523, 529, 549,
D9/550, 556, 558, 563, 575, 547, 548,
D9/454; D28/76

(Continued)

(56) **References Cited**

U.S. PATENT DOCUMENTS

D127,479 S 5/1941 Buckingham
D284,270 S 6/1986 Pearce

(Continued)

FOREIGN PATENT DOCUMENTS

GB 2102706 6/2001
IN 269655-0001 2/2015
JP D1262309 * 2/2006

Primary Examiner — Brett Miller
Assistant Examiner — Rani J Abdallah

(74) *Attorney, Agent, or Firm* — Knobbe Martens Olson & Bear, LLP

(57) **CLAIM**

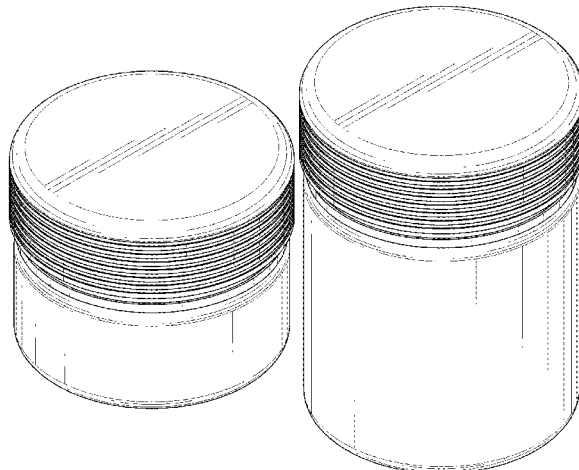
The ornamental design for a container, as shown and described herein.

DESCRIPTION

FIG. 1 is a top perspective view of a first embodiment of a container embodying the new design.
FIG. 2 is a bottom perspective view thereof.
FIG. 3 is a front view thereof.
FIG. 4 is a rear view thereof.
FIG. 5 is a first side view thereof.
FIG. 6 is a second side view thereof.
FIG. 7 is a top view thereof.
FIG. 8 is a bottom view thereof.
FIG. 9 is an exploded perspective view thereof.
FIG. 10 is an exploded front view thereof.
FIG. 11 is a top perspective view of a second embodiment of a container embodying the new design.
FIG. 12 is a bottom perspective view thereof.
FIG. 13 is a front view thereof.
FIG. 14 is a rear view thereof.
FIG. 15 is a first side view thereof.
FIG. 16 is a second side view thereof.
FIG. 17 is a top view thereof.
FIG. 18 is a bottom view thereof.
FIG. 19 is an exploded perspective view thereof.
FIG. 20 is an exploded front view thereof.
FIG. 21 is a top perspective view of a third embodiment of a container embodying the new design.
FIG. 22 is a bottom perspective view thereof.
FIG. 23 is a front view thereof.
FIG. 24 is a rear view thereof.
FIG. 25 is a first side view thereof.
FIG. 26 is a second side view thereof.
FIG. 27 is a top view thereof.
FIG. 28 is a bottom view thereof.
FIG. 29 is an exploded perspective view thereof; and,
FIG. 30 is an exploded front view thereof.

The second embodiment is shown with a symbolic break in its length, represented by break lines. The appearance of any

(Continued)



portion of the article between the break lines forms no part of the claimed subject matter.

All features in broken lines are for the purpose of illustrating environmental structure and form no part of the claimed subject matter.

1 Claim, 23 Drawing Sheets

(58) **Field of Classification Search**

CPC B65D 1/0246; B65D 41/04; B65D 1/0223;
B65D 2543/00092; Y10S 220/906
See application file for complete search history.

(56) **References Cited**

U.S. PATENT DOCUMENTS

5,052,592 A * 10/1991 Wilken B65D 83/0033
222/212
D322,753 S * 12/1991 Sussman D9/504
5,115,929 A * 5/1992 Buono B65D 50/041
215/216
5,207,341 A * 5/1993 Yeager B65D 1/0246
215/246
D381,259 S * 7/1997 Hayes D9/503
5,927,532 A * 7/1999 Traub B65D 41/06
215/342
D430,293 S 8/2000 Jansen
D485,016 S * 1/2004 Noh D28/76
D499,650 S * 12/2004 Crawford D9/502
D503,830 S * 4/2005 Tanii D28/76
H2217 H * 6/2008 Smay D9/503
D603,502 S 11/2009 Petersen
D612,240 S * 3/2010 Cresswell D9/504
7,798,319 B1 * 9/2010 Bried B65D 51/16
206/242
D633,653 S * 3/2011 Lee D28/76
D659,539 S * 5/2012 Bakic D9/503
D733,967 S * 7/2015 Schlatter D9/504
D739,256 S * 9/2015 Kim B65D 51/145
D9/503
D766,093 S * 9/2016 Otani D9/454

D770,284 S * 11/2016 Luu D9/502
D773,660 S 12/2016 Shiozaki
D776,354 S * 1/2017 Schlatter D9/504
D794,178 S 8/2017 Daniel
D800,983 S * 10/2017 Lee D9/503
D803,055 S * 11/2017 Luu D9/454
D828,113 S * 9/2018 Fleischhut D9/502
D844,438 S * 4/2019 Deylamian D9/503
D847,645 S * 5/2019 Lee D9/504
D857,516 S 8/2019 Lutens
D867,883 S * 11/2019 Luu D9/454
D871,844 S * 1/2020 Adams, Jr. D7/510
D888,508 S 6/2020 Rane
D888,509 S 6/2020 Rane
D889,966 S * 7/2020 Gautier D9/454
D893,300 S * 8/2020 Aboabdo D9/503
D894,004 S * 8/2020 Aboabdo D9/503
D900,615 S * 11/2020 Gautier D9/503
D907,497 S * 1/2021 Laib D9/500
D907,500 S * 1/2021 Aboabdo D9/503
D907,501 S * 1/2021 Aboabdo D9/503
D908,500 S * 1/2021 Aboabdo D9/503
D909,207 S * 2/2021 Blomberg D9/504
D909,877 S * 2/2021 Hwang D9/503
D913,100 S * 3/2021 Duong D9/504
D915,205 S * 4/2021 Castellanos D9/504
D917,292 S * 4/2021 Blomberg D9/504
D918,040 S * 5/2021 Blomberg D9/504
D918,720 S * 5/2021 Jiang D9/504
D922,875 S * 6/2021 Gautier D9/542
D925,362 S * 7/2021 Lanz D9/504
D927,979 S * 8/2021 Jiang D9/503
D927,980 S * 8/2021 Jiang D9/502
D929,863 S * 9/2021 Demers D9/504
D932,306 S * 10/2021 Hwang D28/76
D933,480 S * 10/2021 Aboabdo D9/503
2015/0122769 A1 * 5/2015 Taber B65D 51/145
215/350
2016/0130063 A1 * 5/2016 Demery B65D 43/0212
220/200
2016/0176591 A1 * 6/2016 Thomas B65D 50/046
D9/504
2019/0315534 A1 * 10/2019 Karli B65D 50/041
D9/504

* cited by examiner

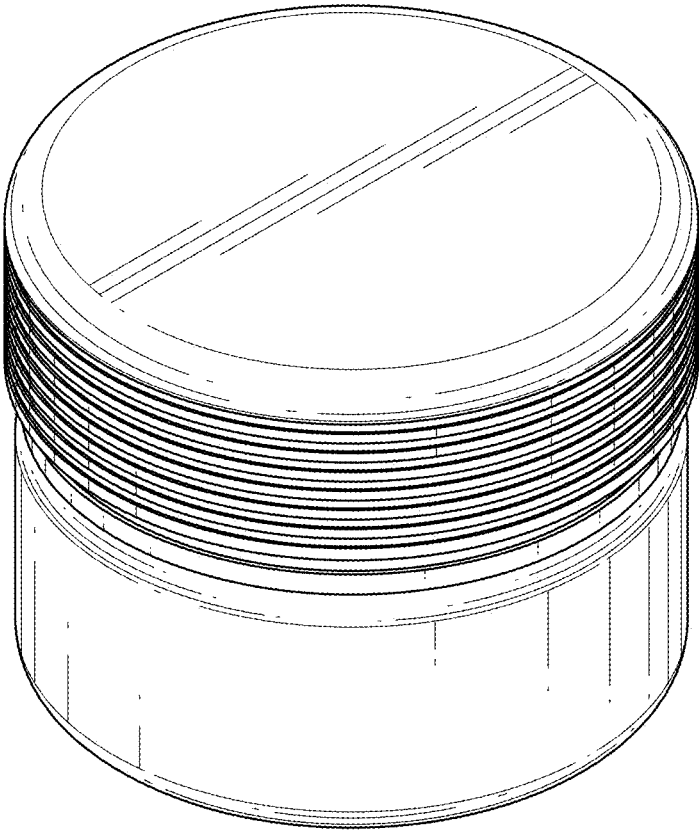


FIG. 1

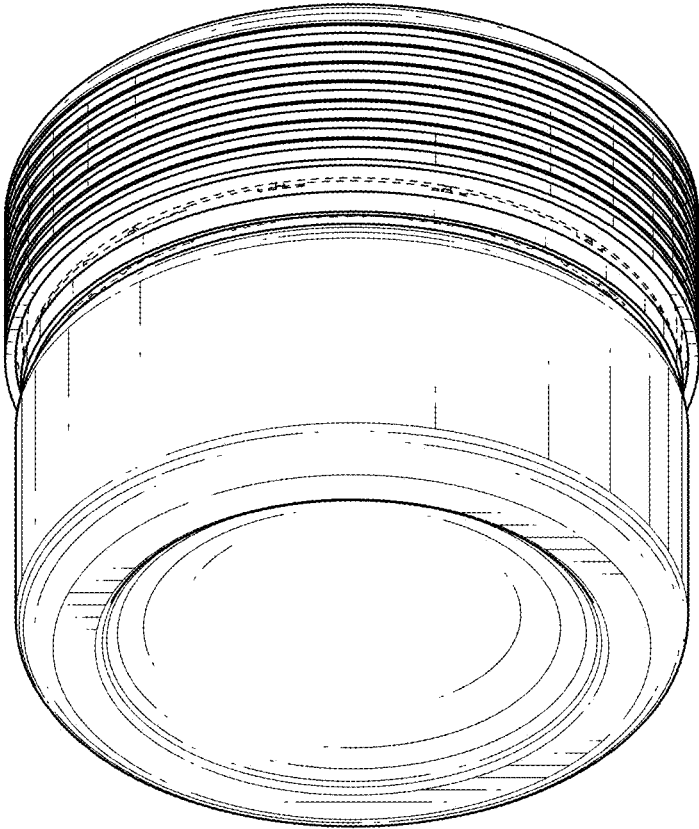


FIG. 2

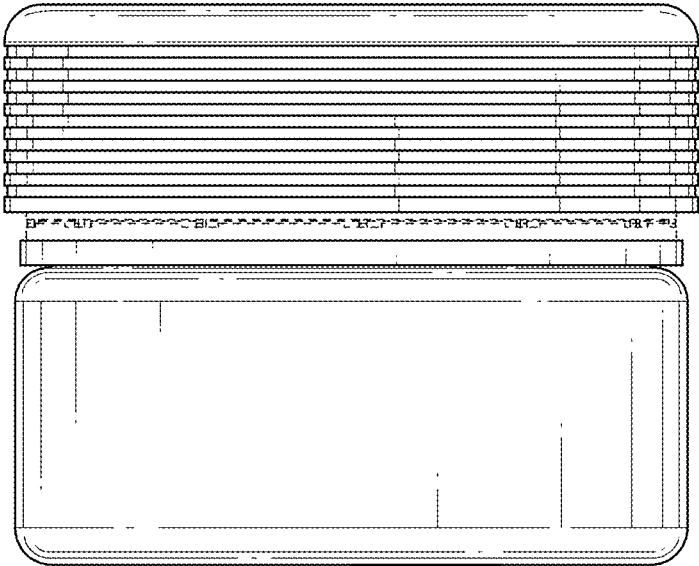


FIG. 3

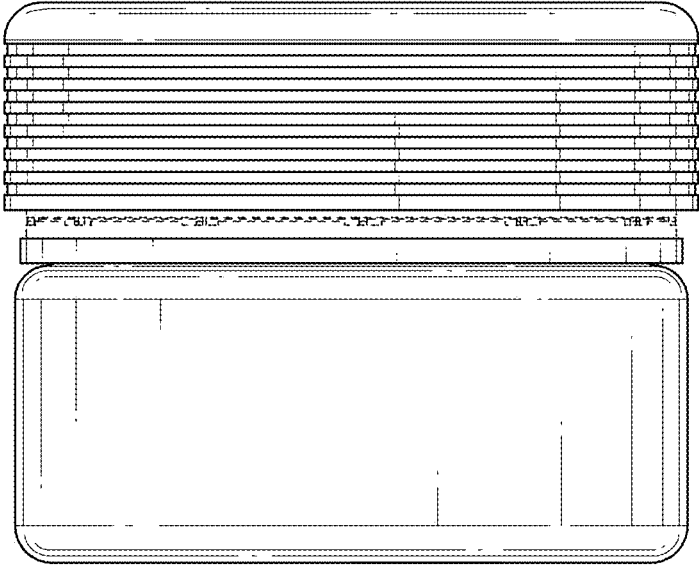


FIG. 4

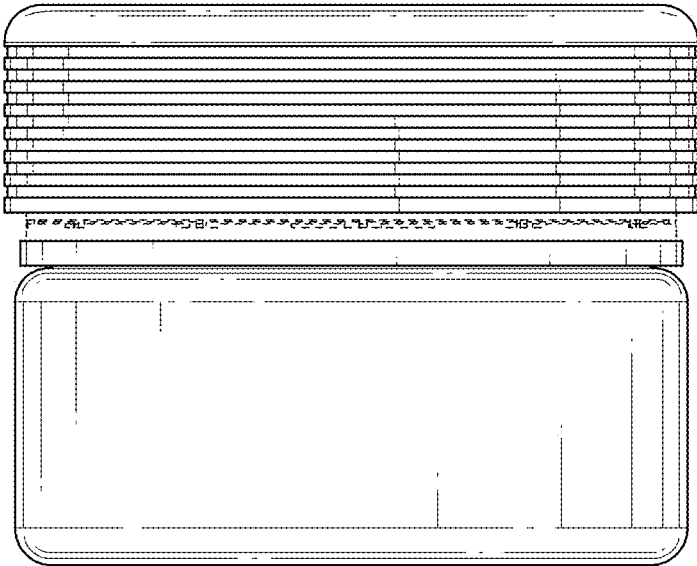


FIG. 5

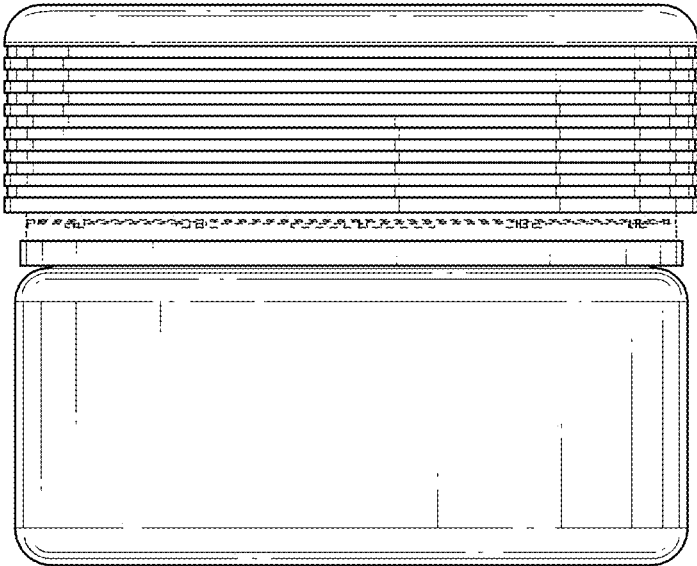


FIG. 6

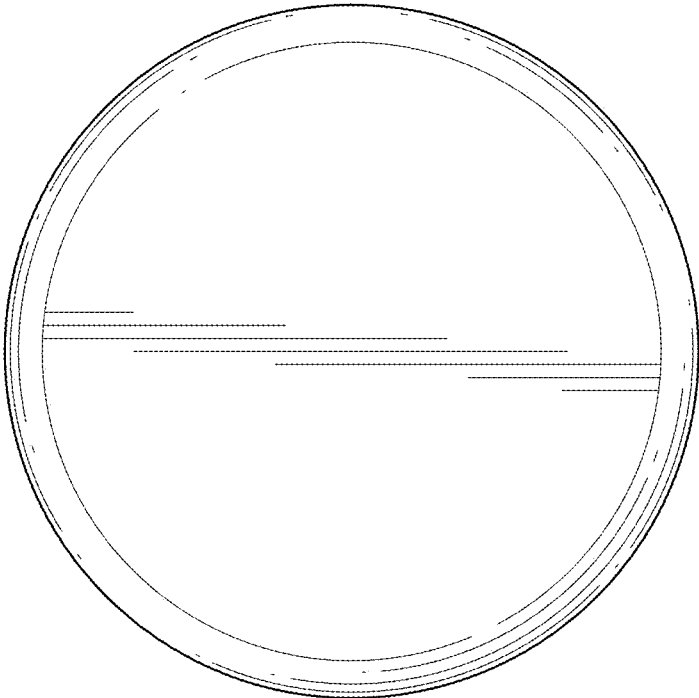


FIG. 7

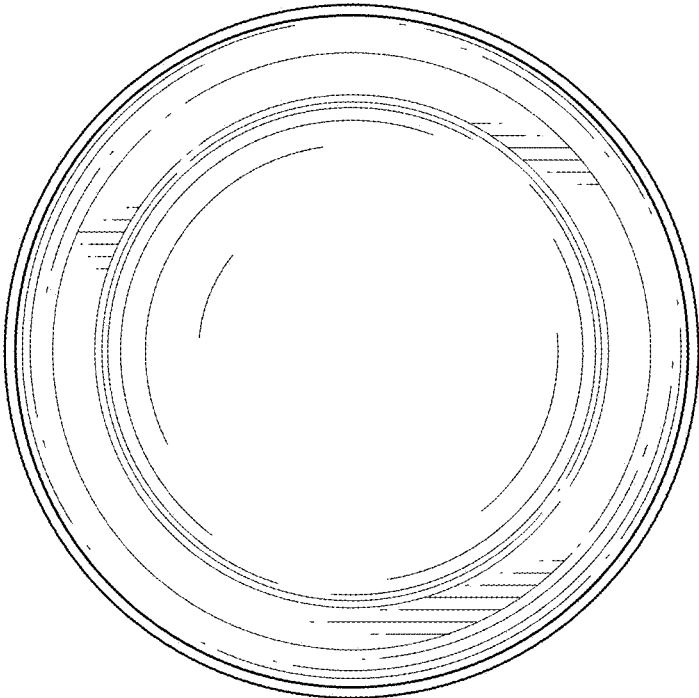


FIG. 8

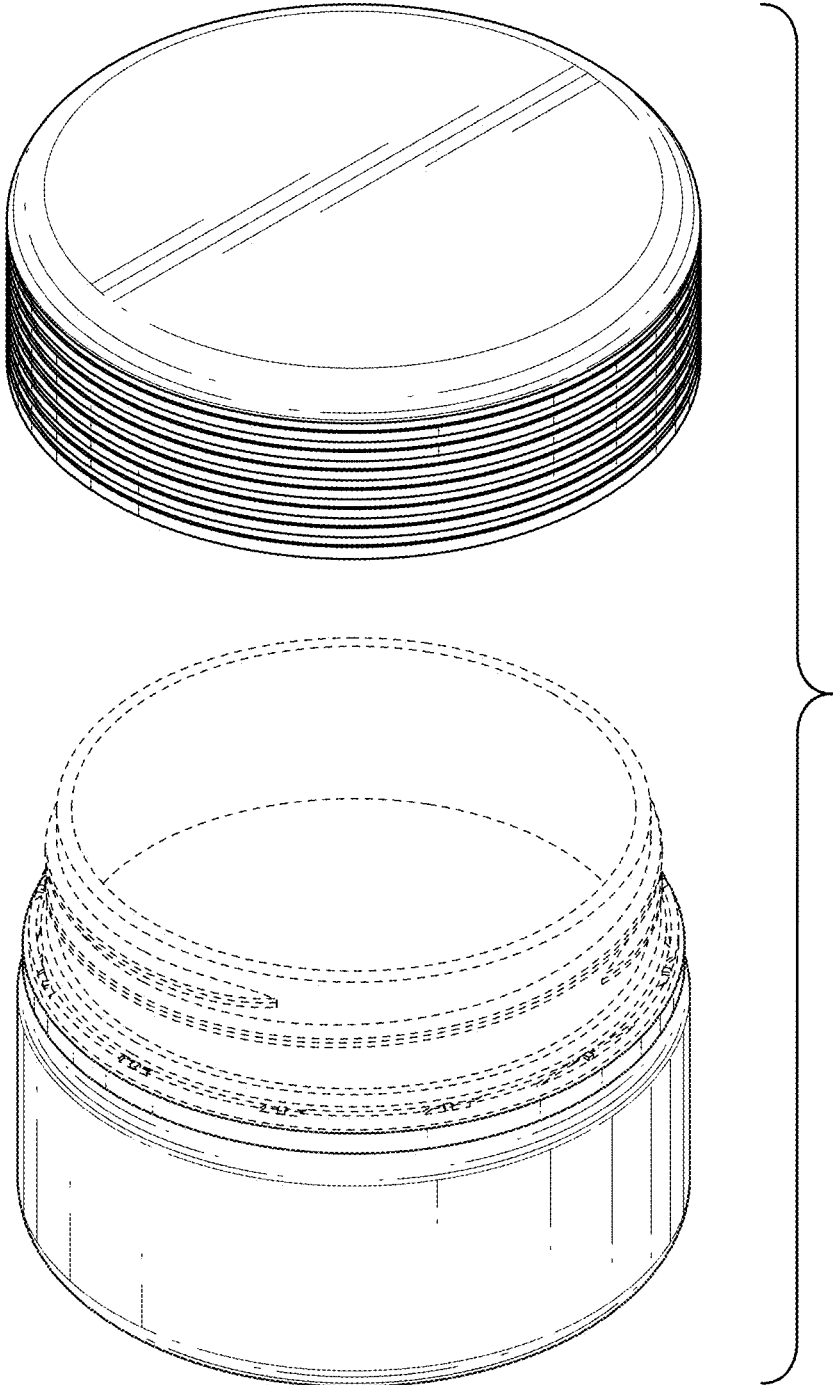


FIG. 9

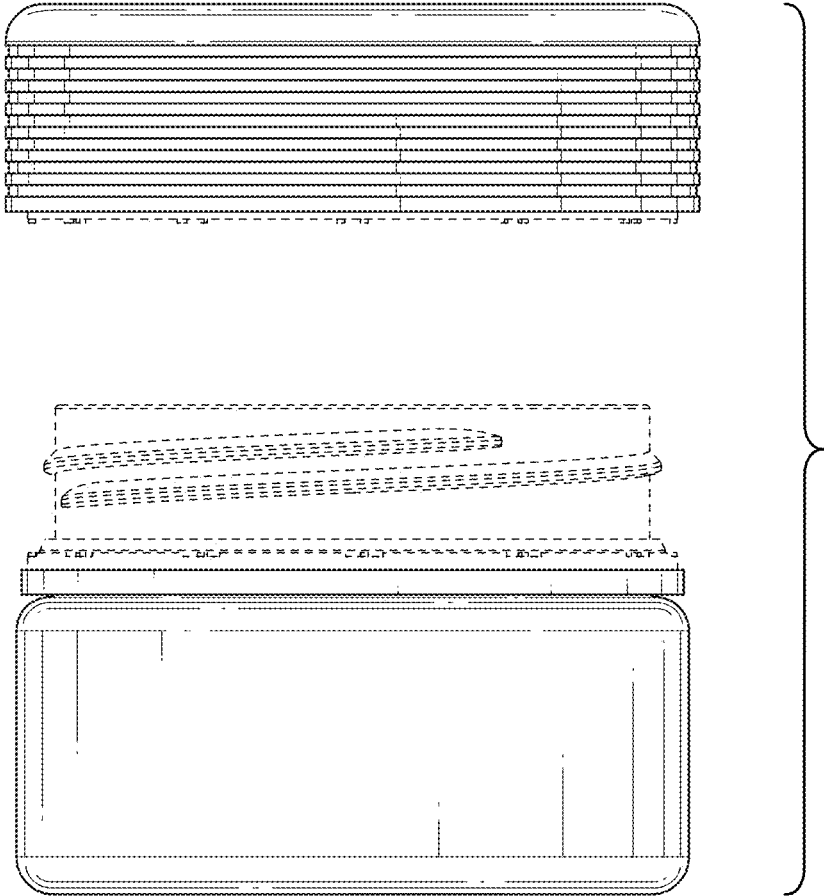


FIG. 10

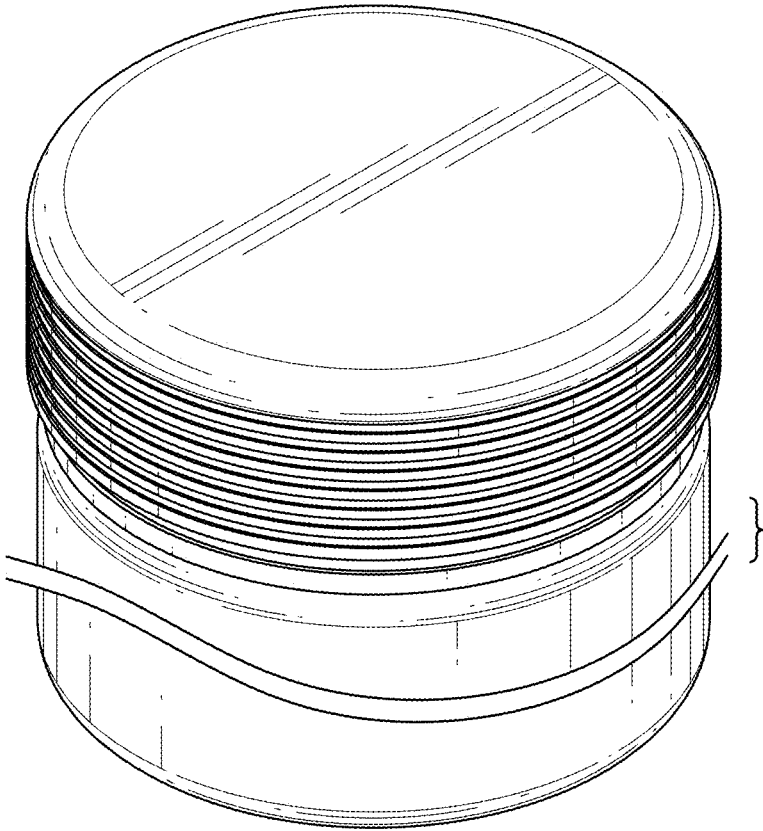


FIG. 11

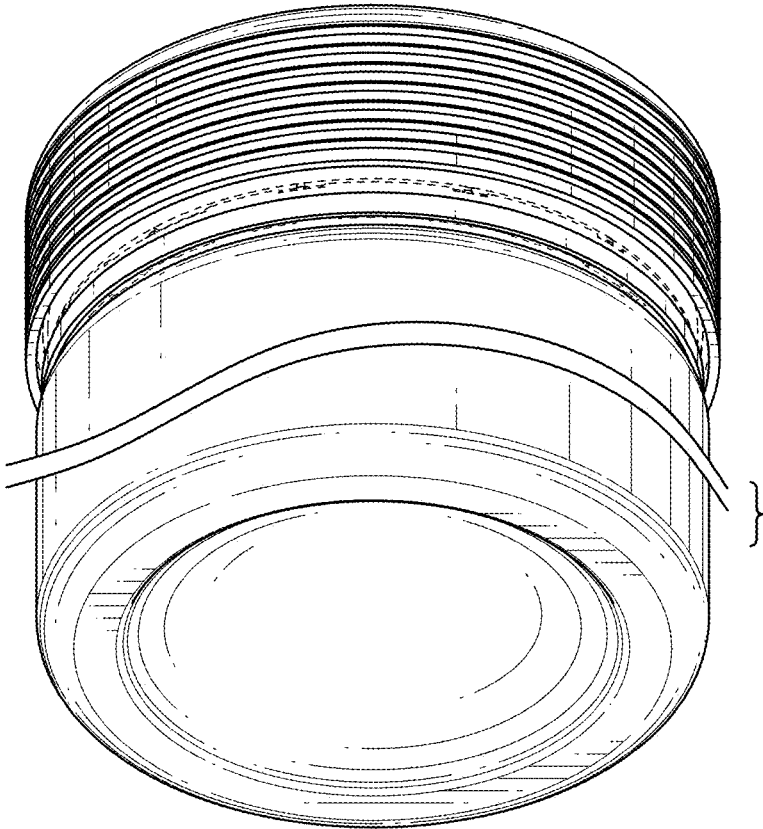


FIG. 12

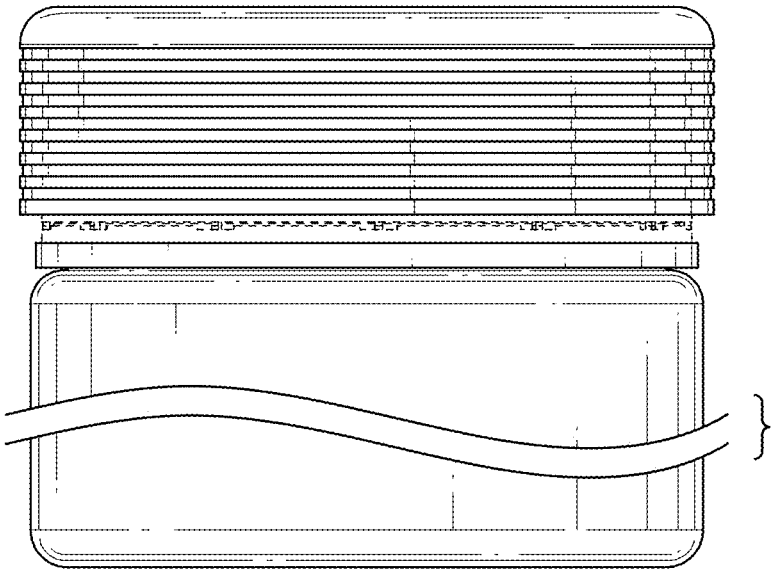


FIG. 13

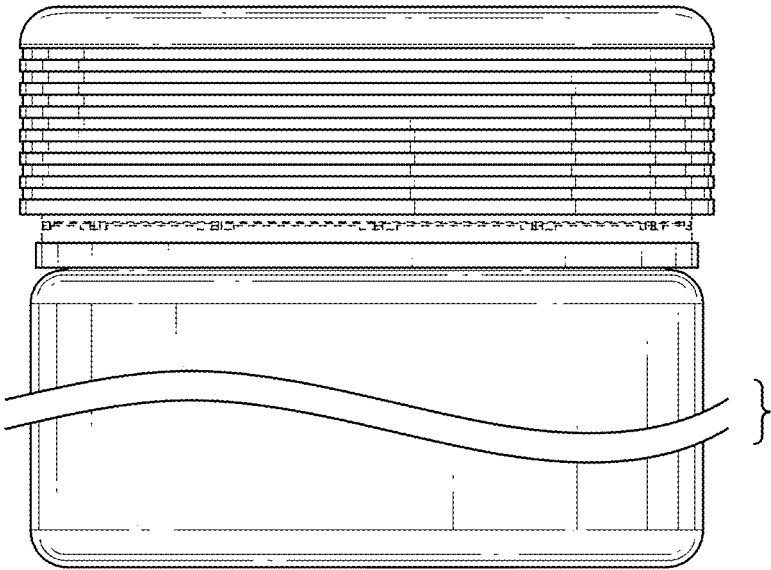


FIG. 14

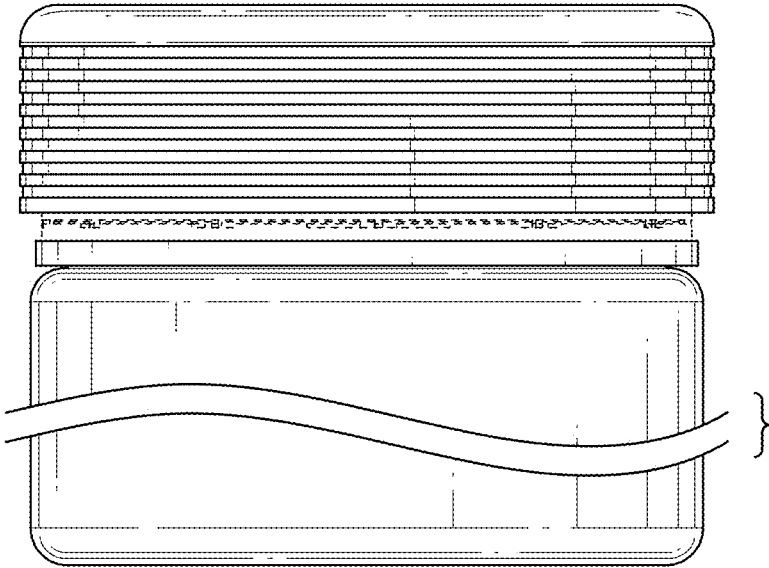


FIG. 15

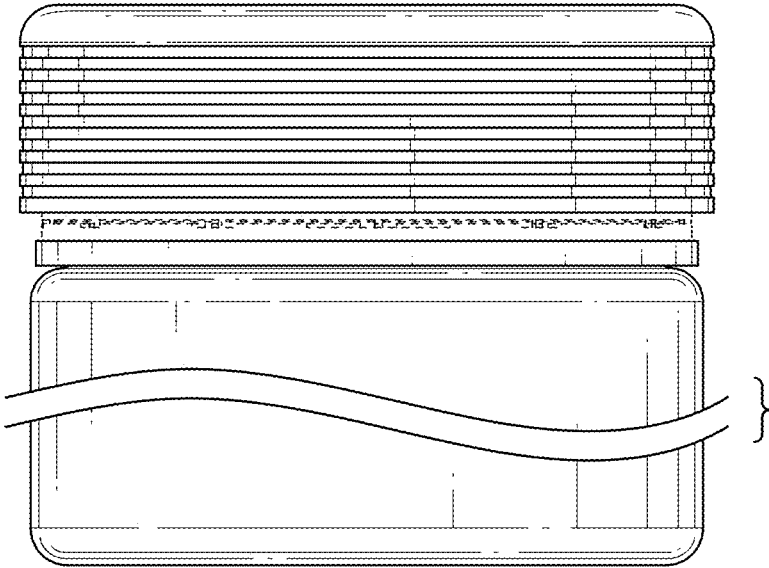


FIG. 16

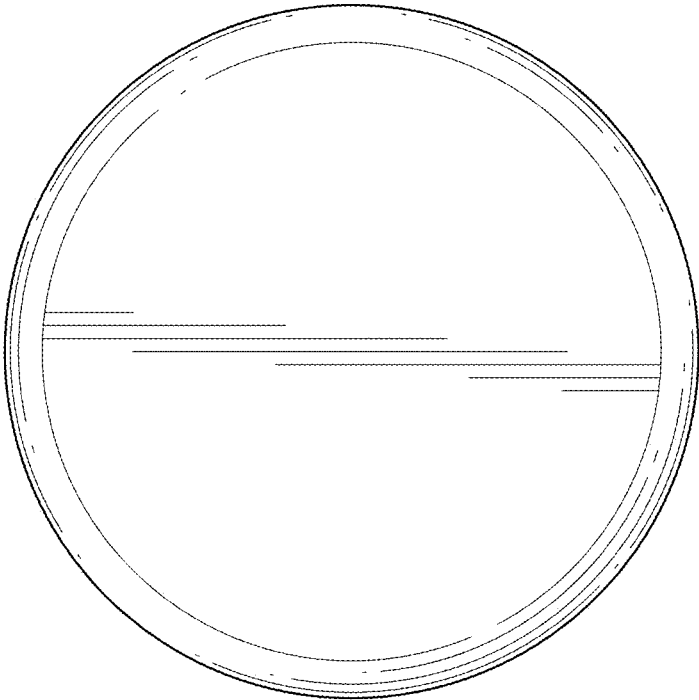


FIG. 17

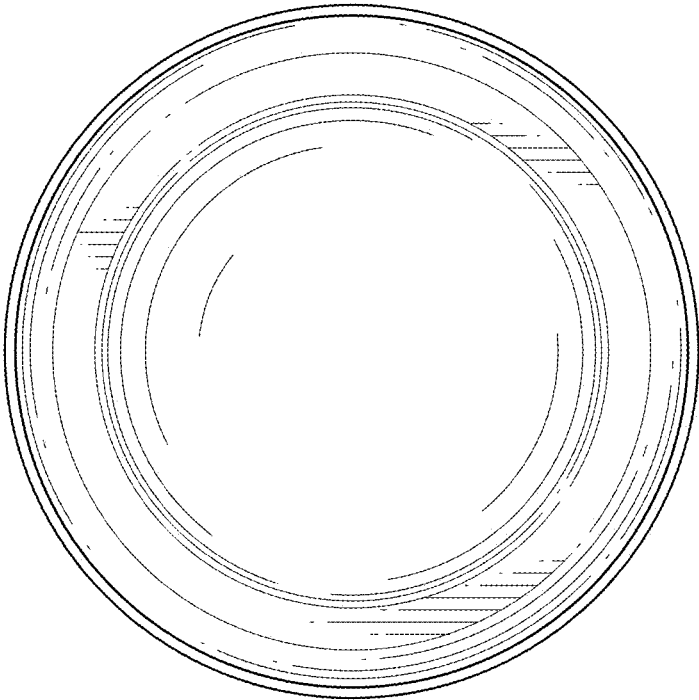


FIG. 18

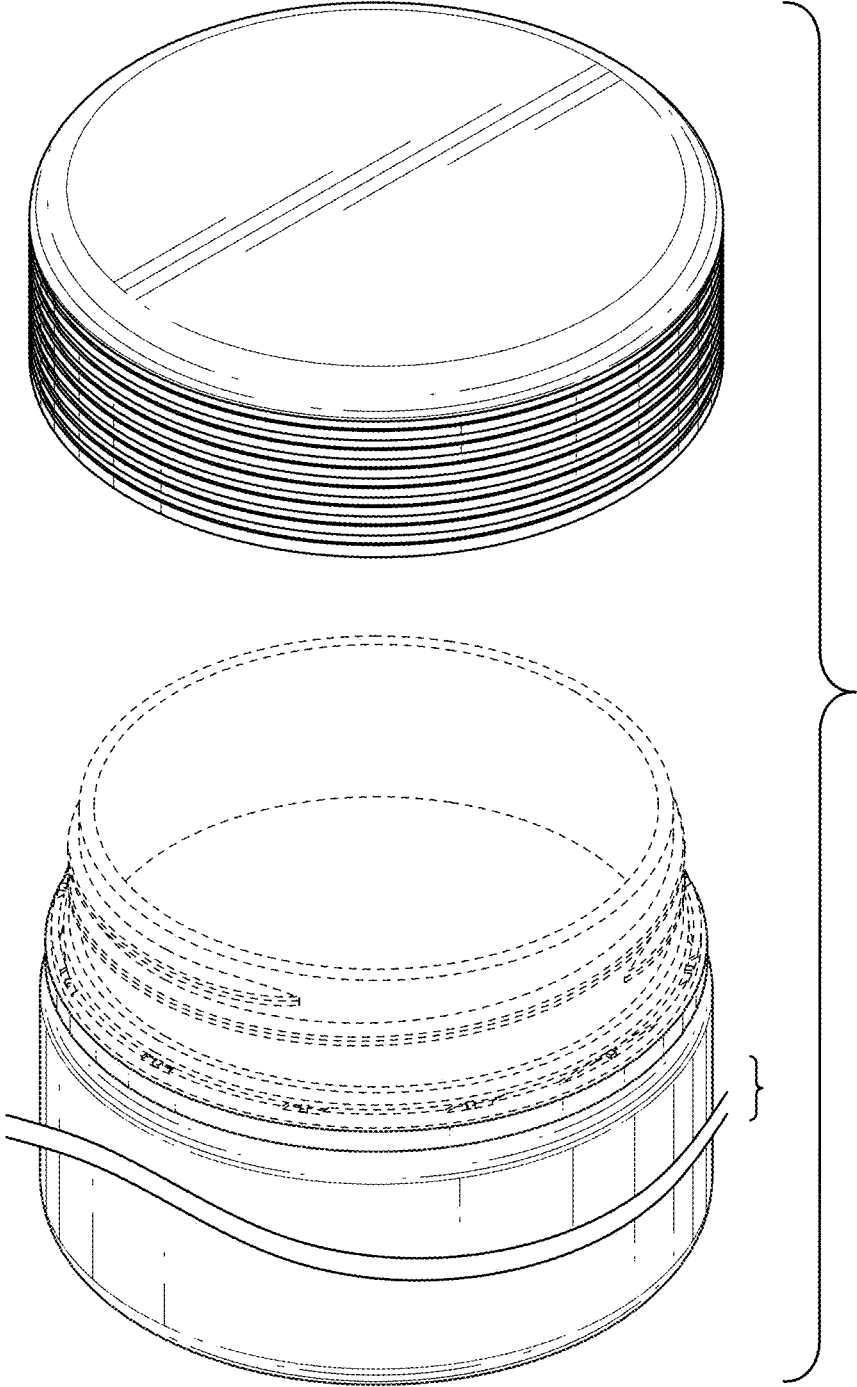


FIG. 19

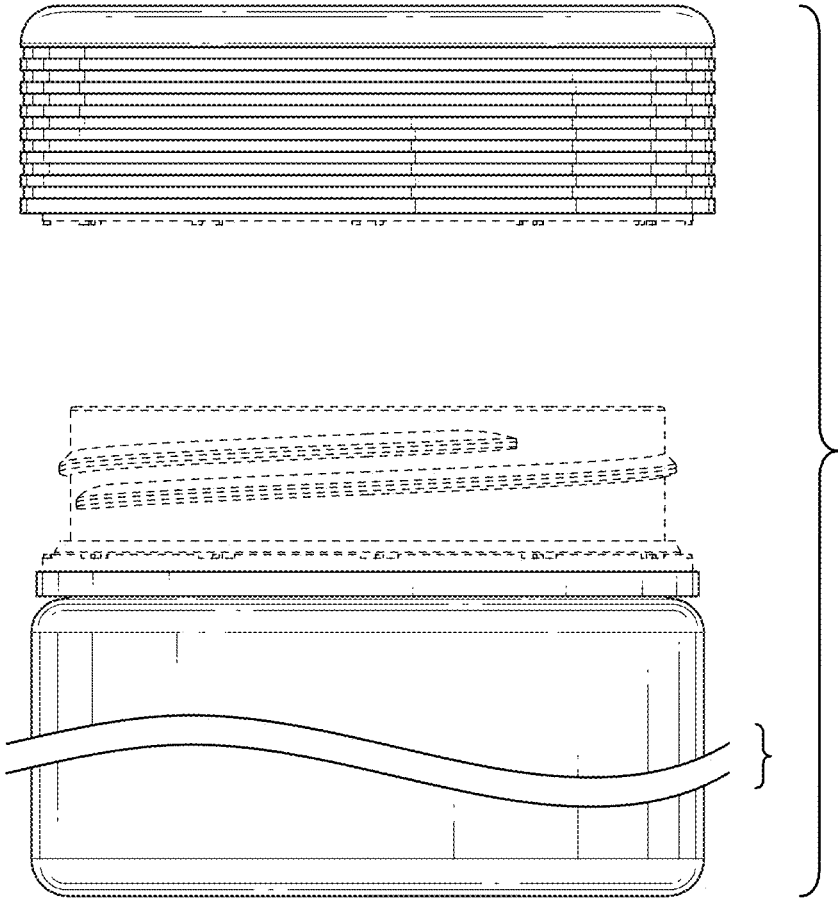


FIG. 20

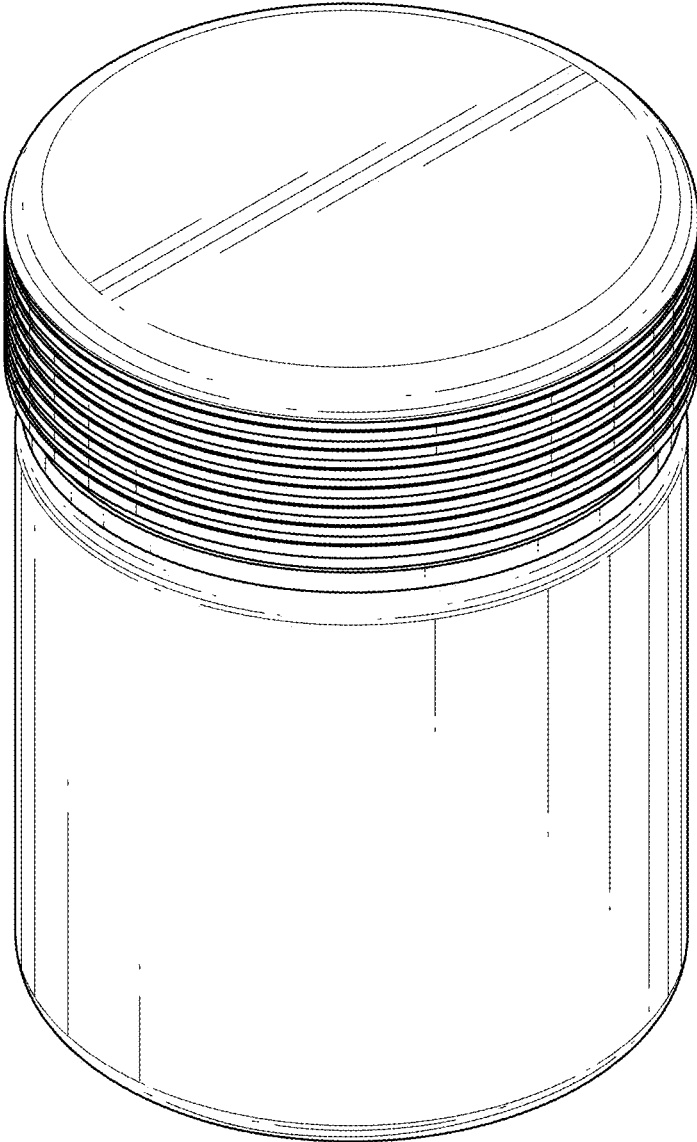


FIG. 21

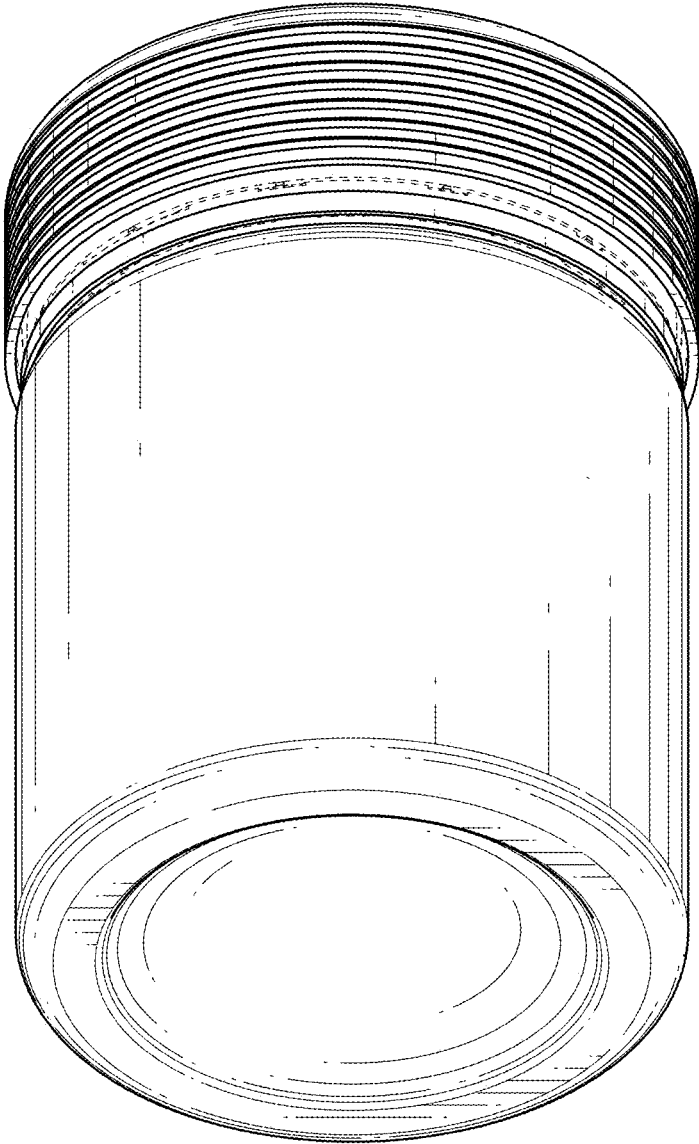


FIG. 22

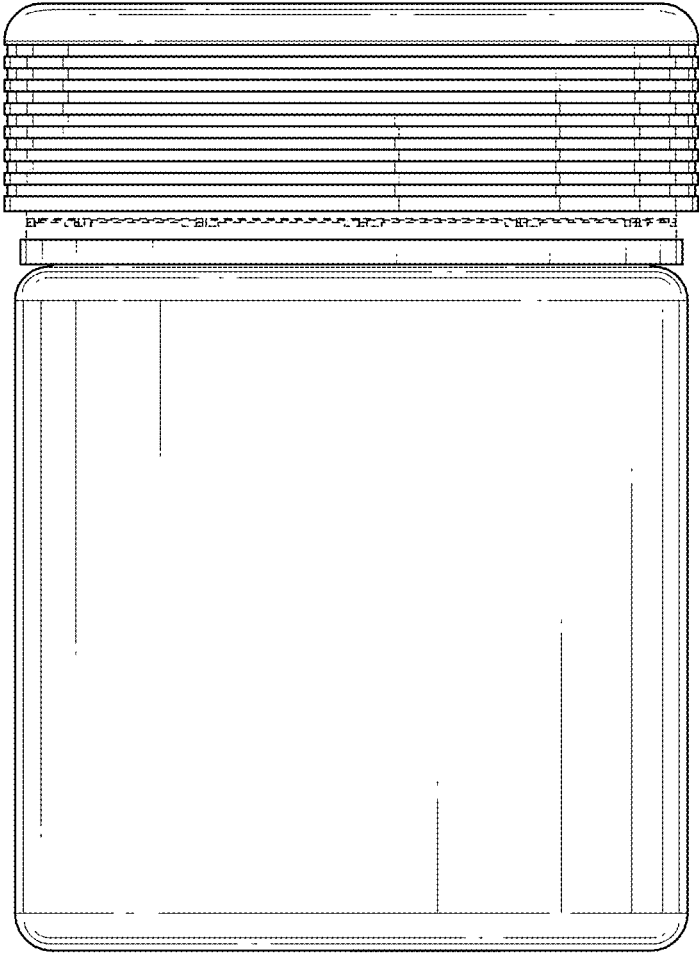


FIG. 23

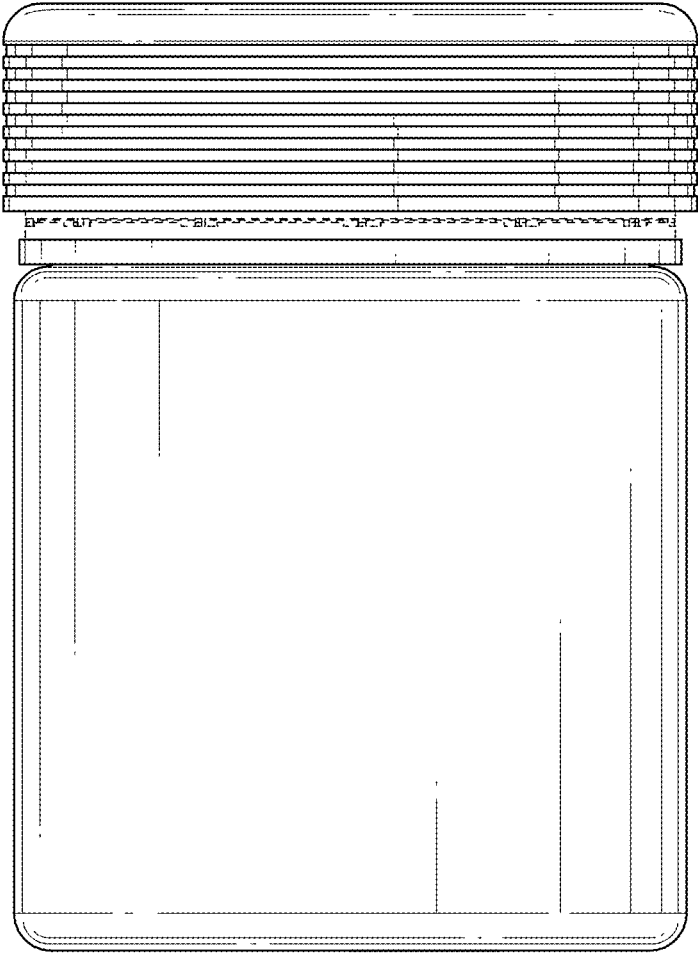


FIG. 24

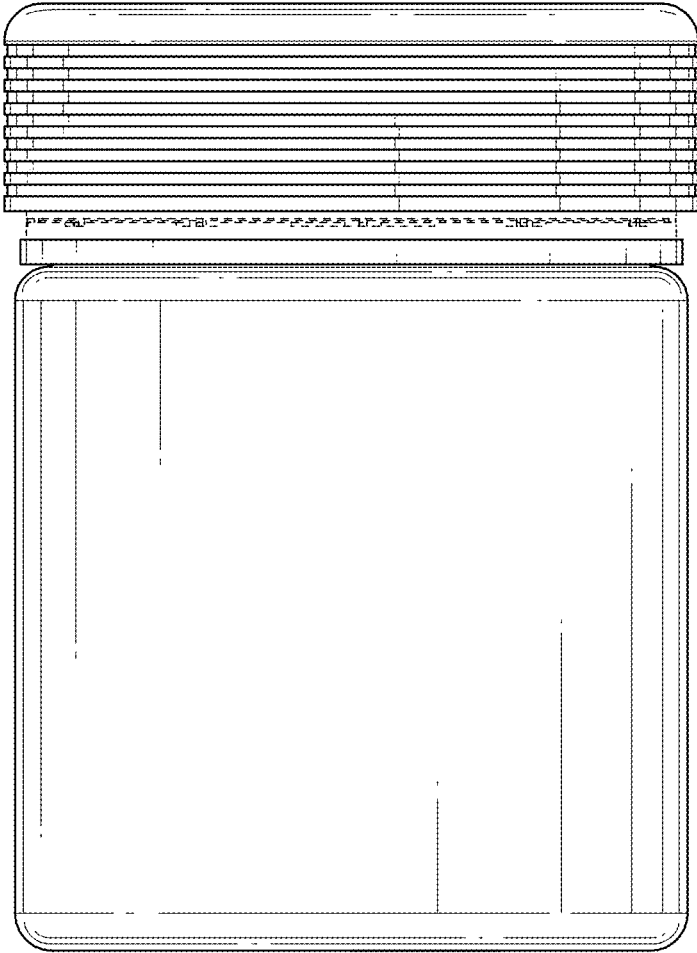


FIG. 25

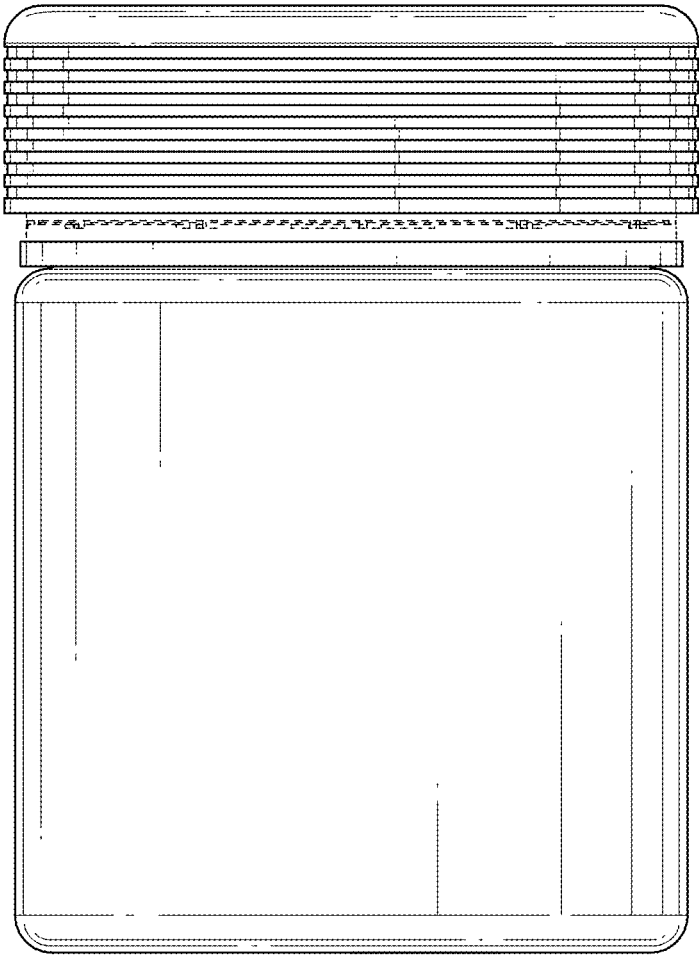


FIG. 26

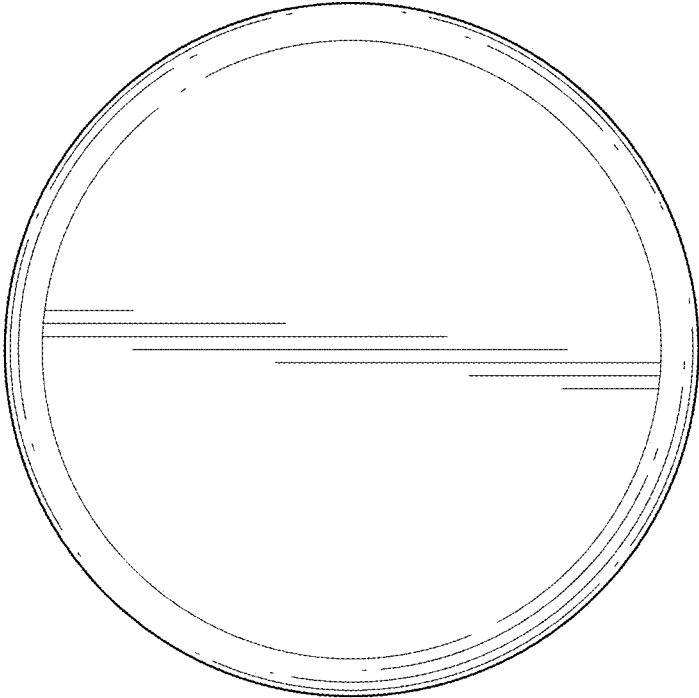


FIG. 27

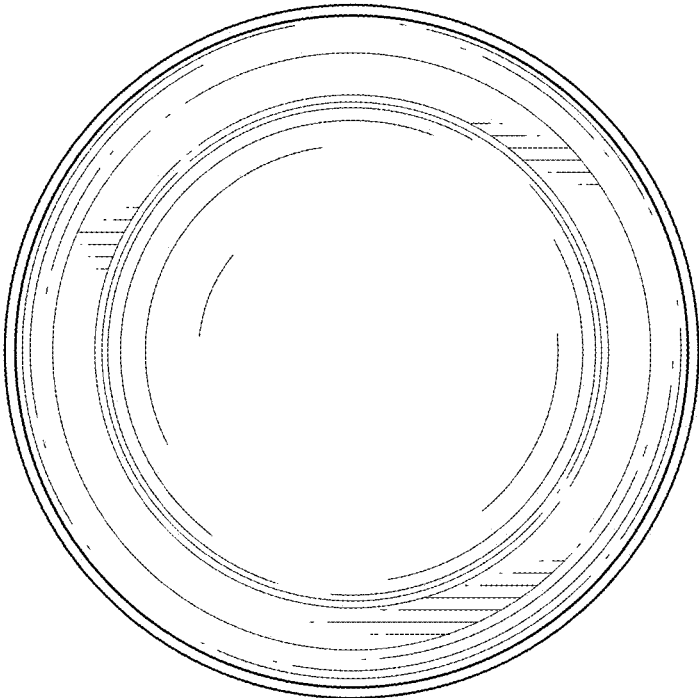


FIG. 28

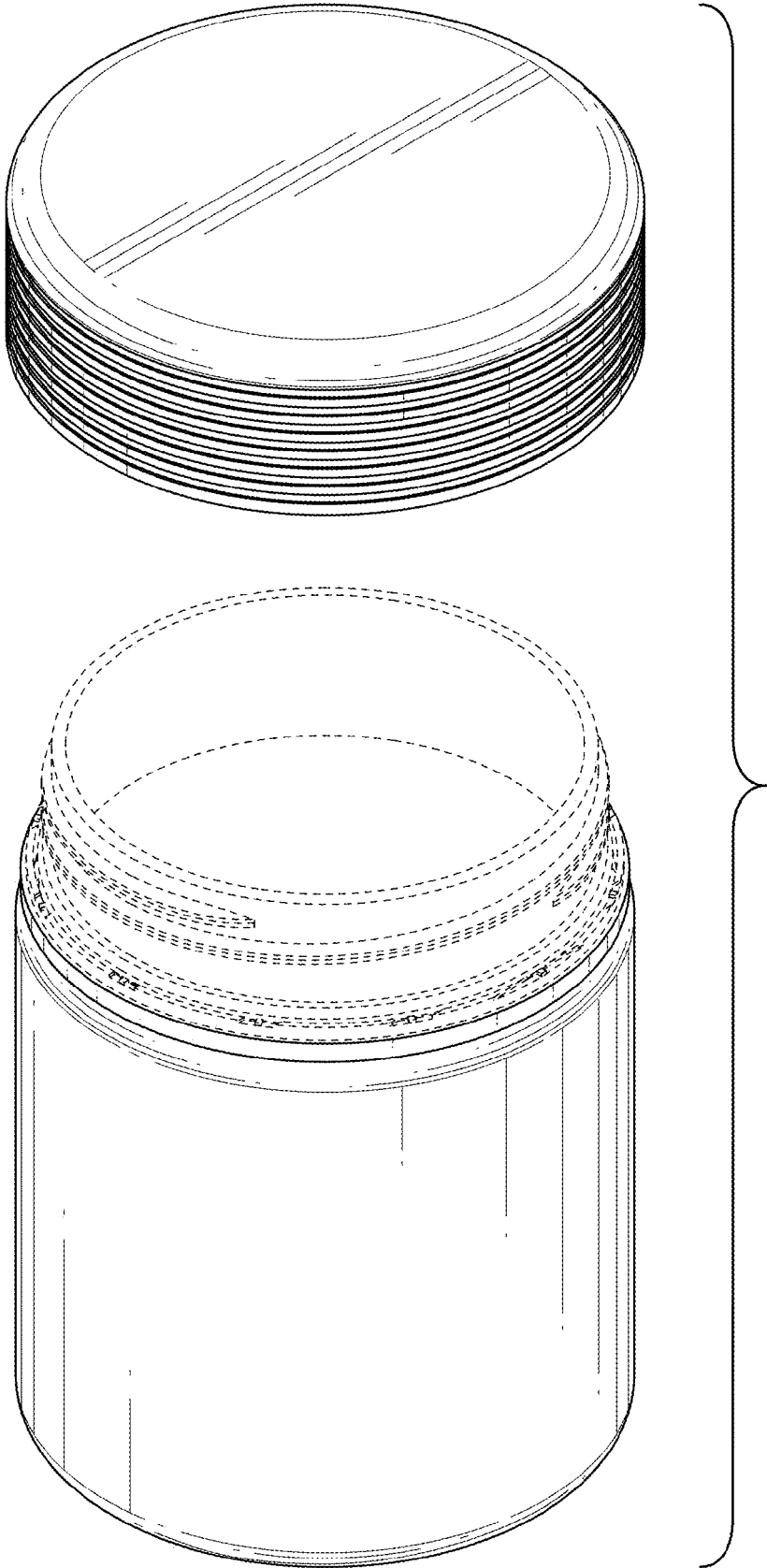


FIG. 29

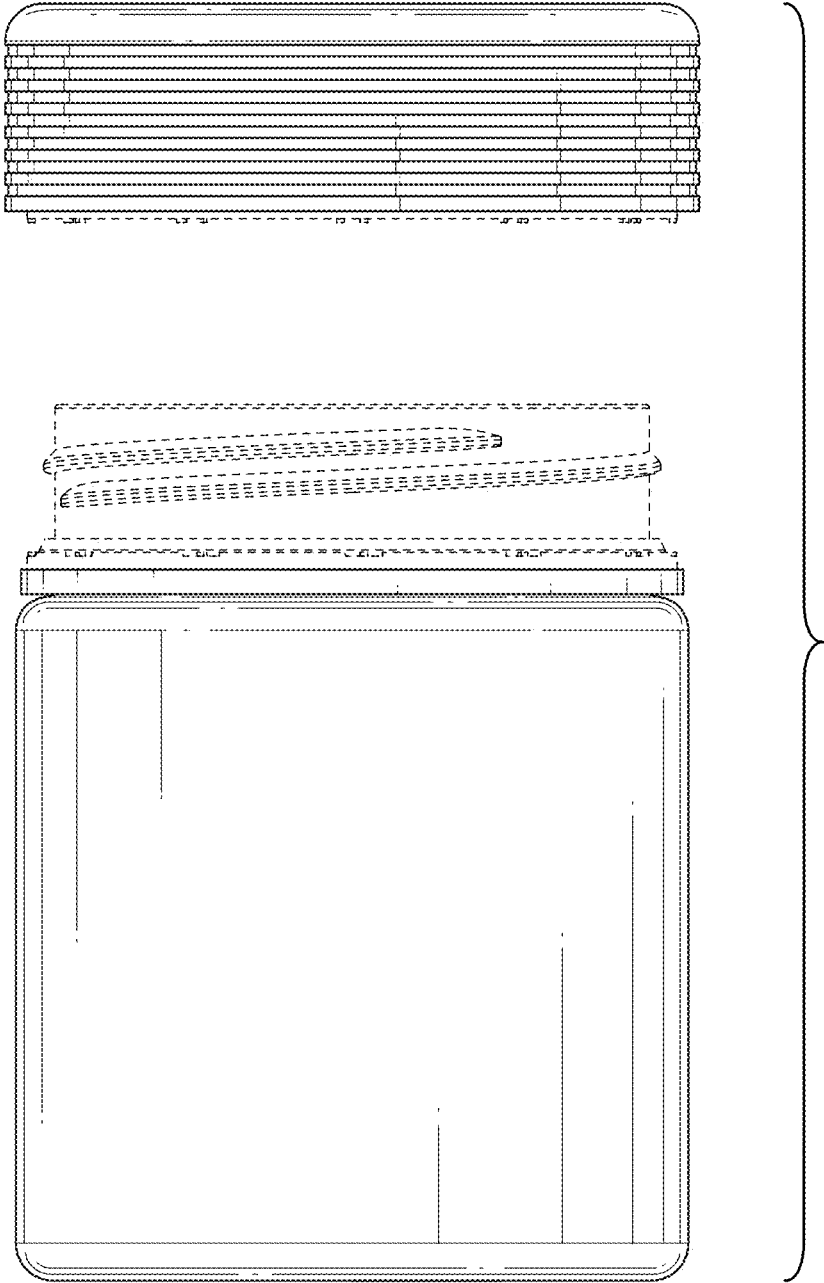


FIG. 30