



US00D928723S

(12) **United States Design Patent** (10) **Patent No.:** **US D928,723 S**
Weinerman et al. (45) **Date of Patent:** **** Aug. 24, 2021**

- (54) **ELECTRICAL ENCLOSURE**
- (71) Applicant: **The Eastern Company**, Strongsville, OH (US)
- (72) Inventors: **Lee S. Weinerman**, Medina, OH (US); **Keith Braun**, Strongsville, OH (US); **James Paxitzis**, Strongsville, OH (US)
- (73) Assignee: **THE EASTERN COMPANY**, Cleveland, OH (US)
- (**) Term: **15 Years**
- (21) Appl. No.: **29/698,677**
- (22) Filed: **Jul. 18, 2019**
- (51) **LOC (13) Cl.** **13-03**
- (52) **U.S. Cl.**
USPC **D13/162**; D10/49
- (58) **Field of Classification Search**
USPC D13/101, 107, 110, 118, 120, 123, 133, D13/134, 139.1, 139.3, 146, 147, D13/150-155, 158, 159-162, 162.1, 163, D13/173, 175, 177, 184, 199; D14/155, D14/240, 256, 300-302, 349, 356, 358, D14/432, 435; D9/356, 414, 432, 433, D9/435.1, 438; D10/46, 49, 50, 104.1
CPC H05B 47/19; H05B 47/01; H05B 45/20; H05B 39/04; H05B 39/088; H05B 47/18; F24F 11/52; F24F 11/523; F24F 13/20; F24F 11/70; F24F 2013/207; F24F 2221/14; F24F 2221/17; H01R 9/24; H01R 9/2491
See application file for complete search history.

D632,195 S *	2/2011	Daniel	D10/104.1
D645,002 S *	9/2011	Kashimoto	D13/162
D676,461 S *	2/2013	Wertz	D15/5
D723,948 S *	3/2015	Baumgartner	D10/50
D770,313 S *	11/2016	Turcotte	D10/49
D774,007 S *	12/2016	Ryan	D13/184
D785,572 S *	5/2017	Abraham	D13/152
D794,579 S *	8/2017	Peterson	D13/162
D810,700 S *	2/2018	Jenkins	D13/162
D850,298 S *	6/2019	Alcorn	D10/49
D884,493 S *	5/2020	Erbacher	D10/49
D887,366 S *	6/2020	Madathil Sankarankutty Nair	D13/152
				D13/345
D889,378 S *	7/2020	Long	D12/345
D890,106 S *	7/2020	Price	D13/162
D892,748 S *	8/2020	Madathil Sankarankutty Nair	D13/152
				D13/152
D894,844 S *	9/2020	Boynton	D13/162

* cited by examiner

Primary Examiner — Susan Bennett Hattan
Assistant Examiner — Landon Thomas Cassell
(74) *Attorney, Agent, or Firm* — Ralph E. Jocke; Walker & Jocke

(57) **CLAIM**

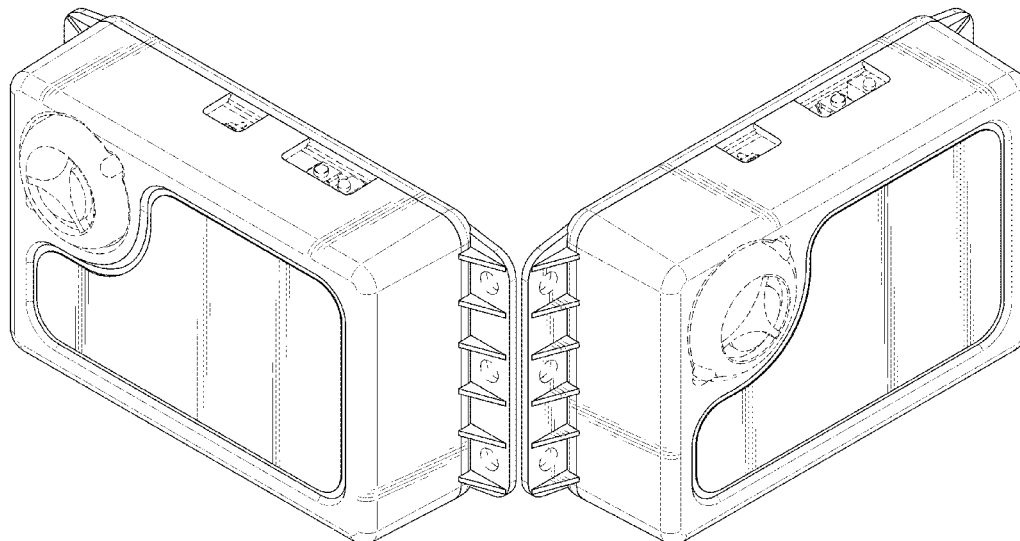
An ornamental design for an electrical enclosure, as shown and described.

DESCRIPTION

FIG. 1 is a front top right perspective view showing our new design for an electrical enclosure.
FIG. 2 is a front top left perspective view.
FIG. 3 is a front view.
FIG. 4 is a top view.
FIG. 5 is a bottom view.
FIG. 6 is a left side view.
FIG. 7 is a right side view; and,
FIG. 8 is a back view.
The broken lines in the drawings depict portions of the electrical enclosure that form no part of the claimed design.

1 Claim, 6 Drawing Sheets

- (56) **References Cited**
U.S. PATENT DOCUMENTS
D286,765 S * 11/1986 Prouty D13/159
D333,294 S * 2/1993 Dossey D13/158
D539,676 S * 4/2007 Hedderich D10/49



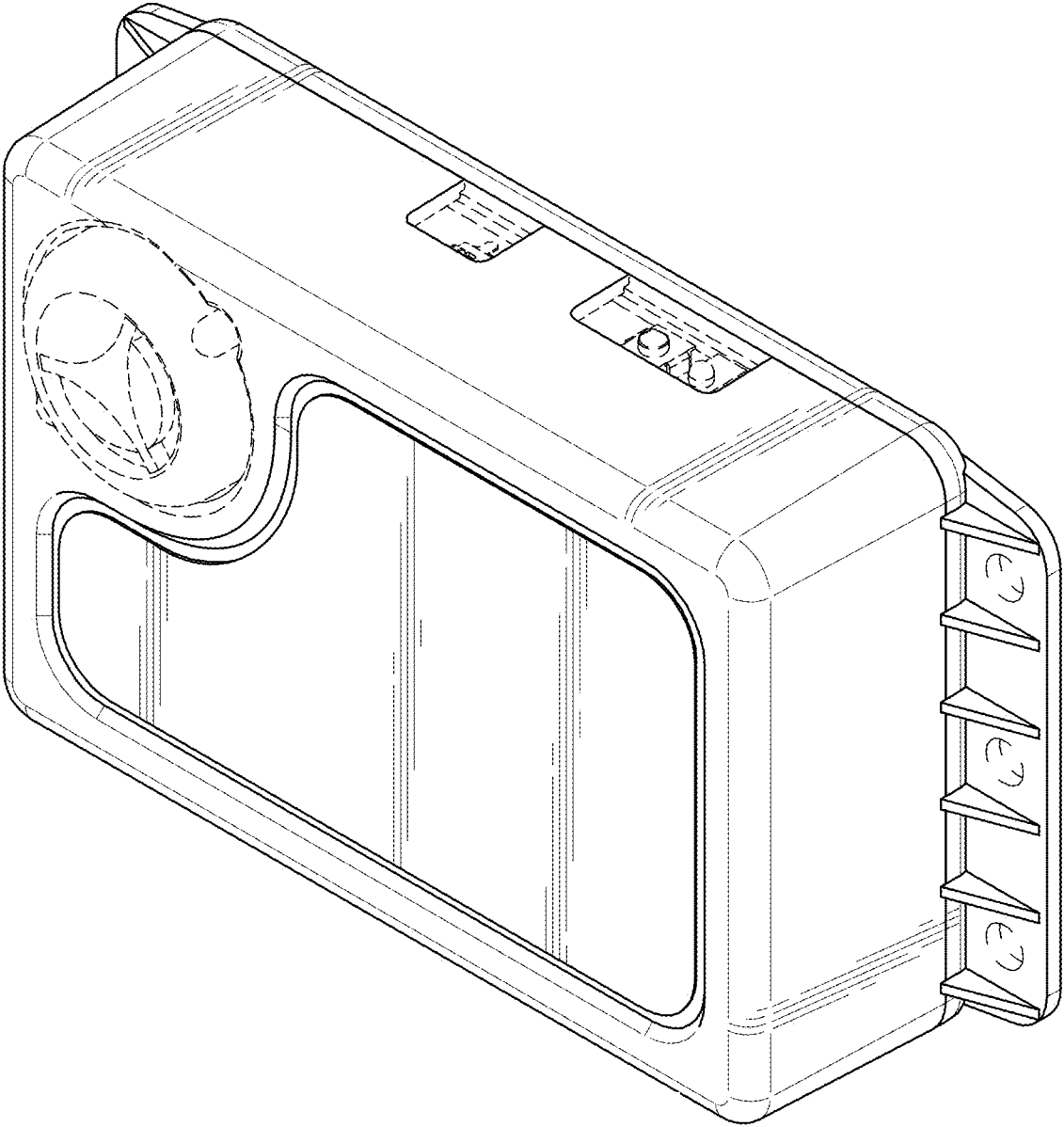


Fig. 1

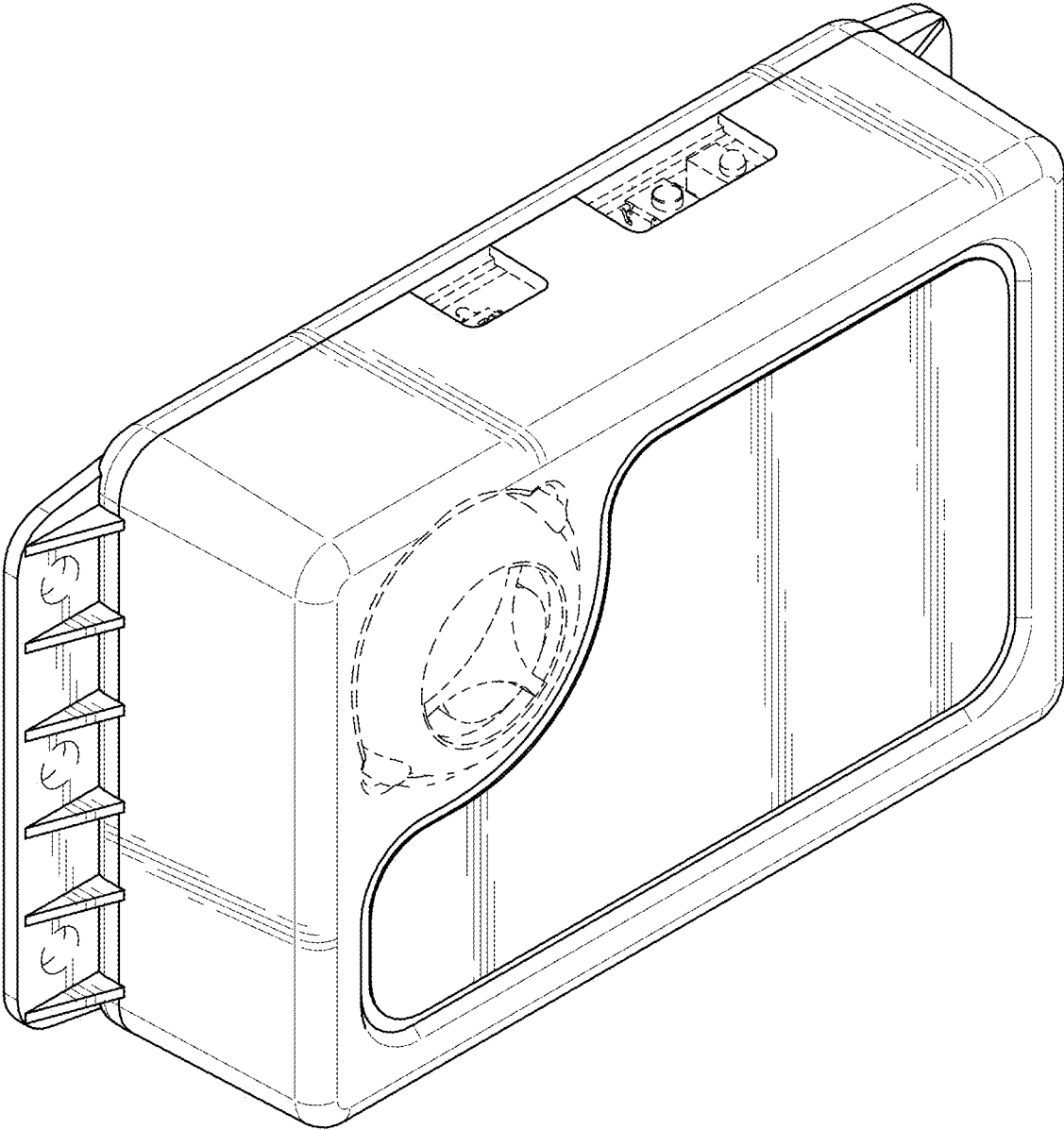


Fig. 2

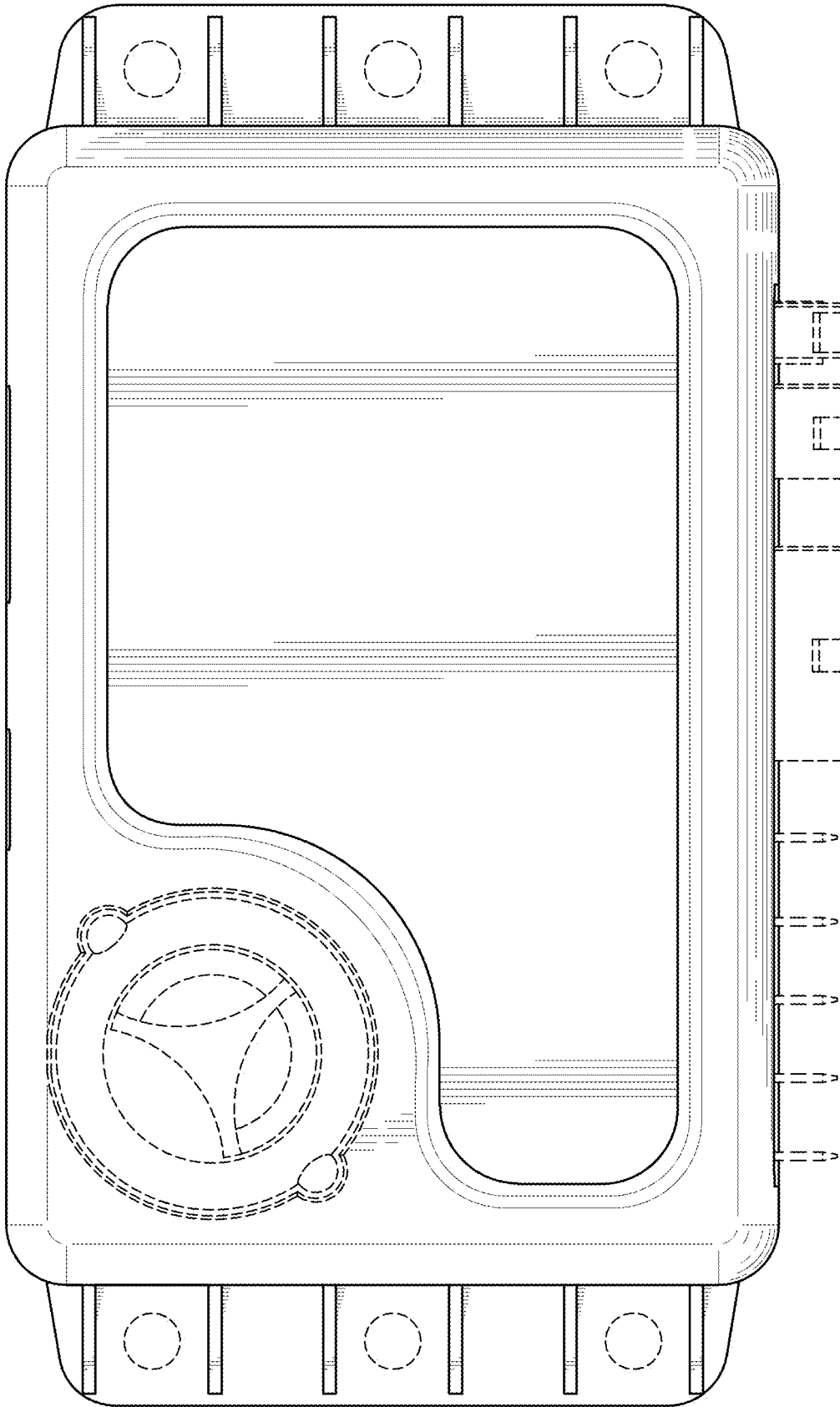


FIG. 3

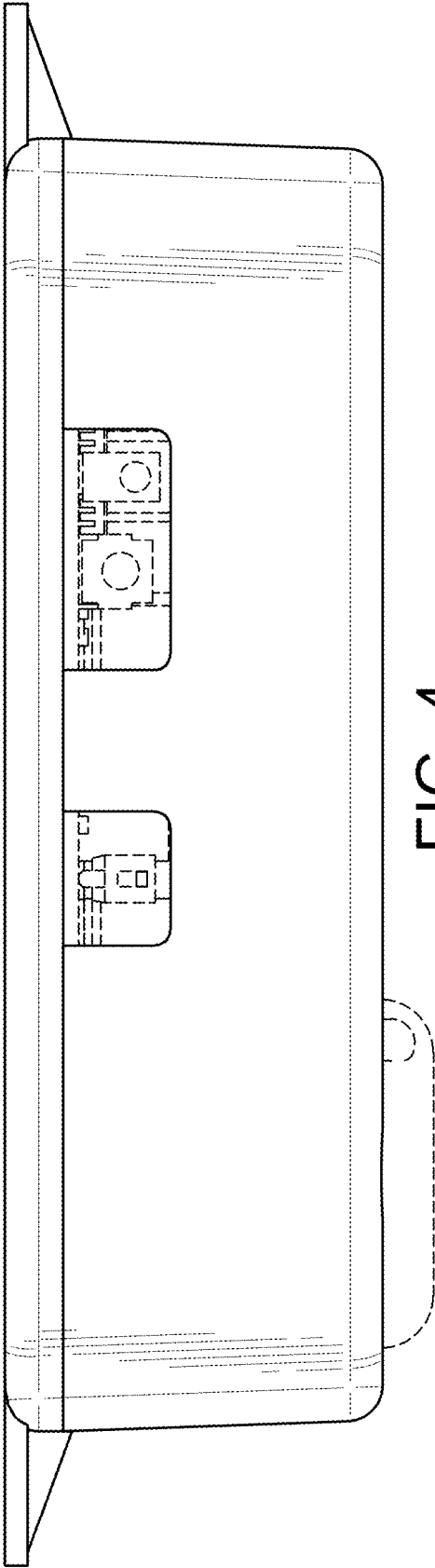


FIG. 4

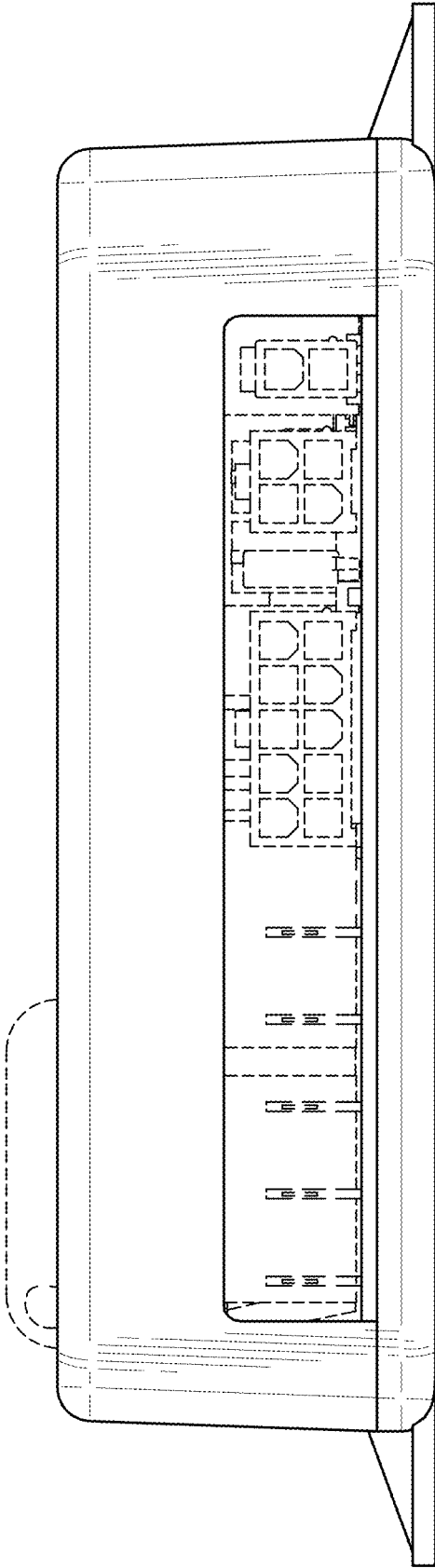


FIG. 5

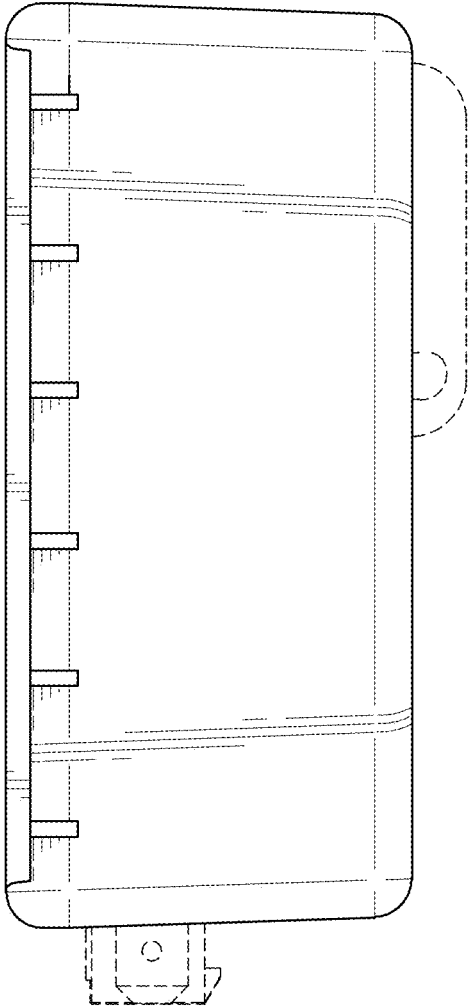


Fig. 6

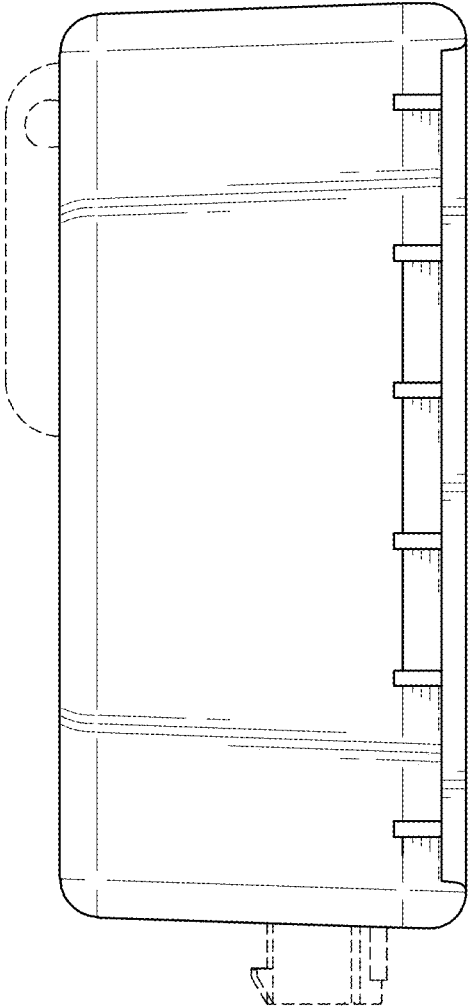


Fig. 7

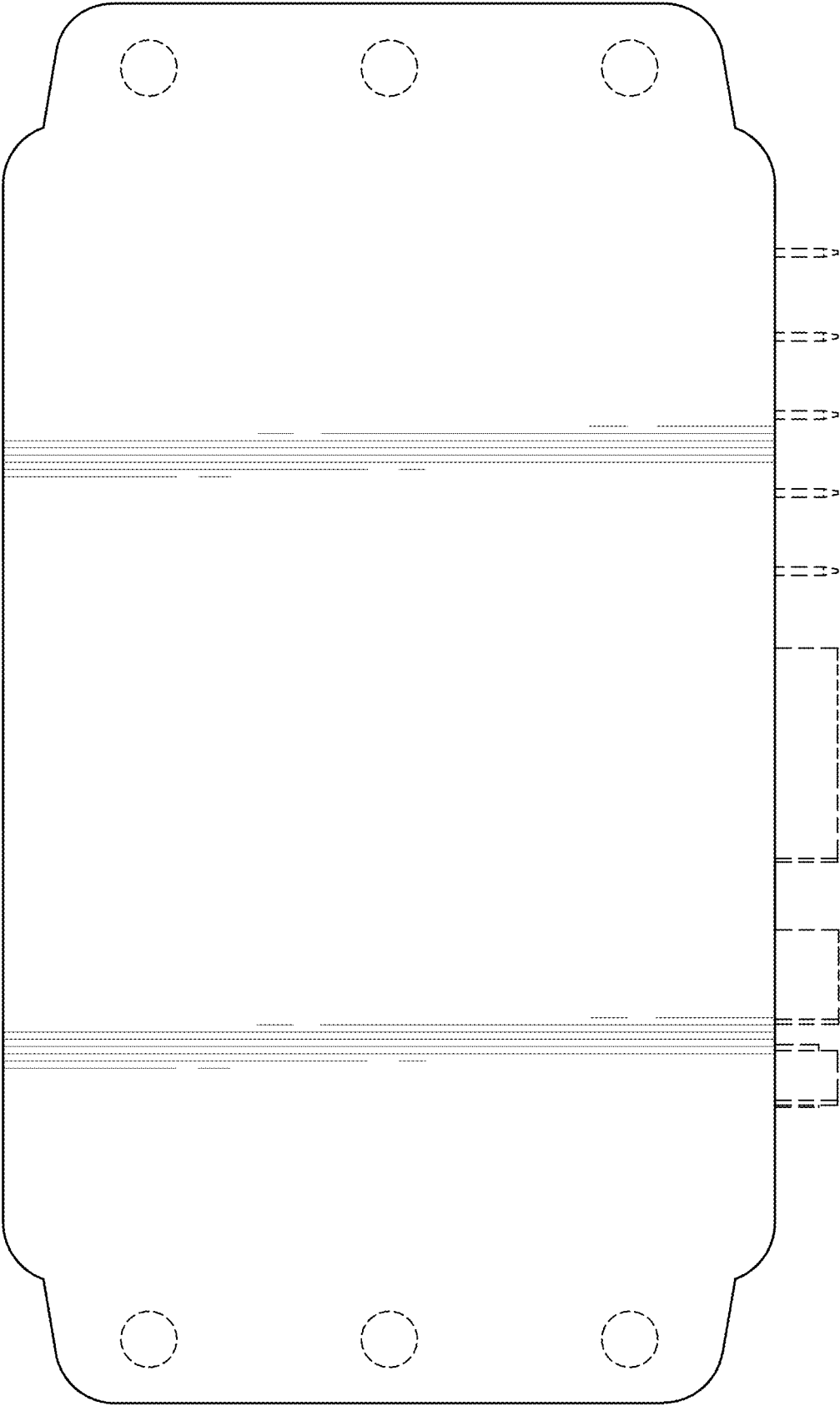


FIG. 8