



(86) **Date de dépôt PCT/PCT Filing Date:** 2014/05/28
 (87) **Date publication PCT/PCT Publication Date:** 2015/02/05
 (45) **Date de délivrance/Issue Date:** 2018/08/07
 (85) **Entrée phase nationale/National Entry:** 2016/02/01
 (86) **N° demande PCT/PCT Application No.:** JP 2014/064105
 (87) **N° publication PCT/PCT Publication No.:** 2015/015885
 (30) **Priorités/Priorities:** 2013/08/02 (JP2013-160999);
 2013/11/21 (JP2013-240681)

(51) **Cl.Int./Int.Cl. H02M 7/483** (2007.01)

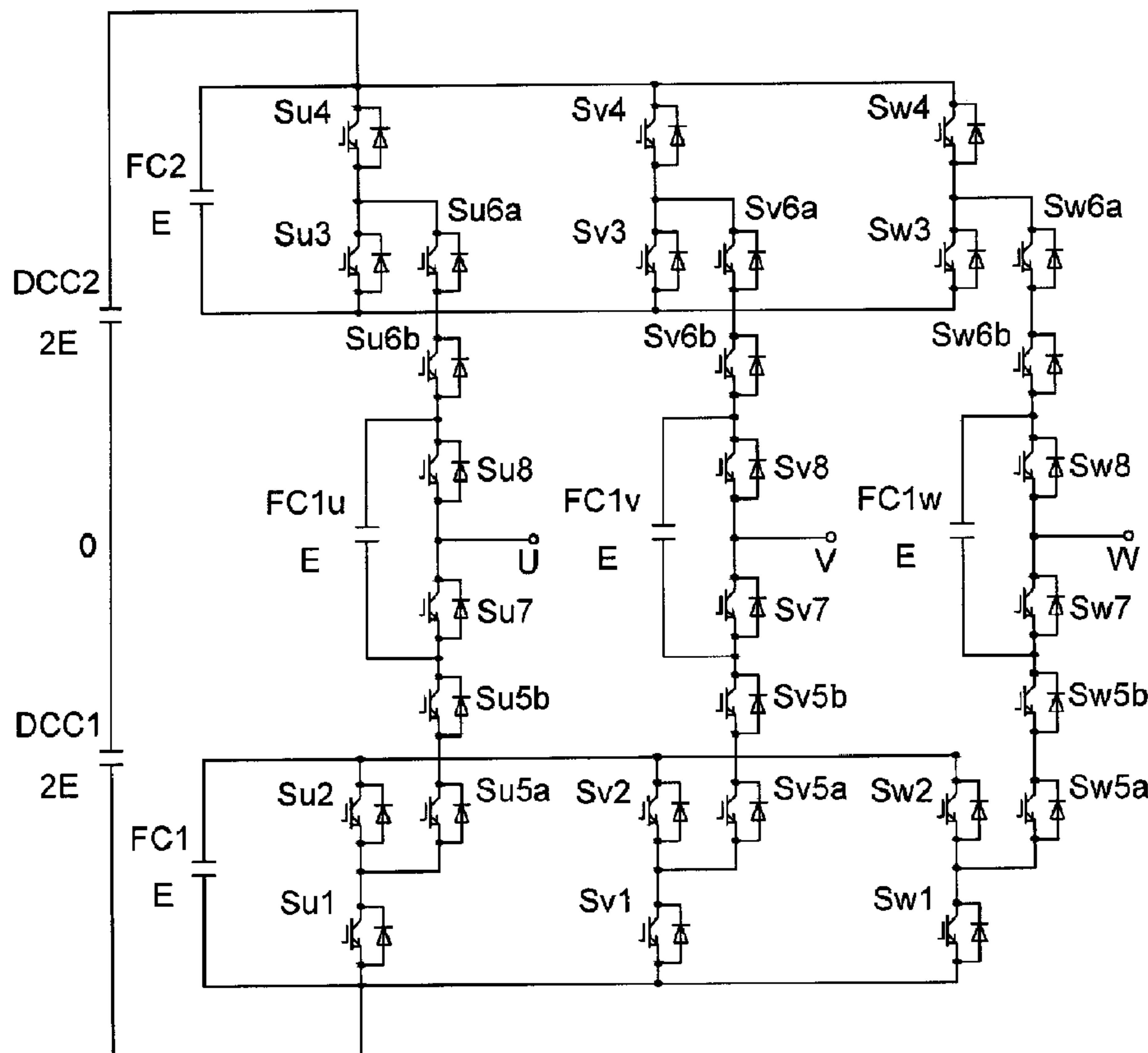
(72) **Inventeurs/Inventors:**
 HASEGAWA, ISAMU, JP;
 KODAMA, TAKASHI, JP;
 KONDO, TAKESHI, JP;
 URUSHIBATA, SHOTA, JP;
 SAKO, HIROMI, JP;
 KOBORI, KENJI, JP;
 HAMADA, SHIZUNORI, JP;
 KODACHI, KEIICHI, JP

(73) **Propriétaire/Owner:**
 MEIDENSHA CORPORATION, JP

(74) **Agent:** ROBIC

(54) **Titre : DISPOSITIF DE CONVERSION ELECTRIQUE MULTI-NIVEAU**

(54) **Title: MULTILEVEL POWER CONVERSION DEVICE**



(57) **Abrégé/Abstract:**

A multilevel power conversion device comprises: N DC power supplies (DCC1 to DCCN) (N ≥ 1) connected in series and common to each phase; first flying capacitors (FC1, FC3, ..., FC2N-1) having one end connected to the negative electrode end of each of

(57) Abrégé(suite)/Abstract(continued):

the DC power supplies (DCC1 to DCCN) and common to each phase; a second flying capacitors (FC2, FC4, ..., FC2N) having one end connected to the positive electrode end of each of the DC power supplies (DCC1 to DCCN) and common to each phase; and a phase module using, as input terminals, the positive and negative electrode ends of the first flying capacitors (FC1, FC3, ..., FC2N-1) and the positive and negative electrode ends of the second flying capacitors (FC2, FC4, ..., FC2N). In the phase module, a capacitor (FC1u) is connected in parallel with the two switching elements (Su7, Su8) of an output stage. This reduces the number of elements used in a multiphase multilevel power conversion device, thereby reducing the cost of the device and reducing the size of the device.

(12) 特許協力条約に基づいて公開された国際出願

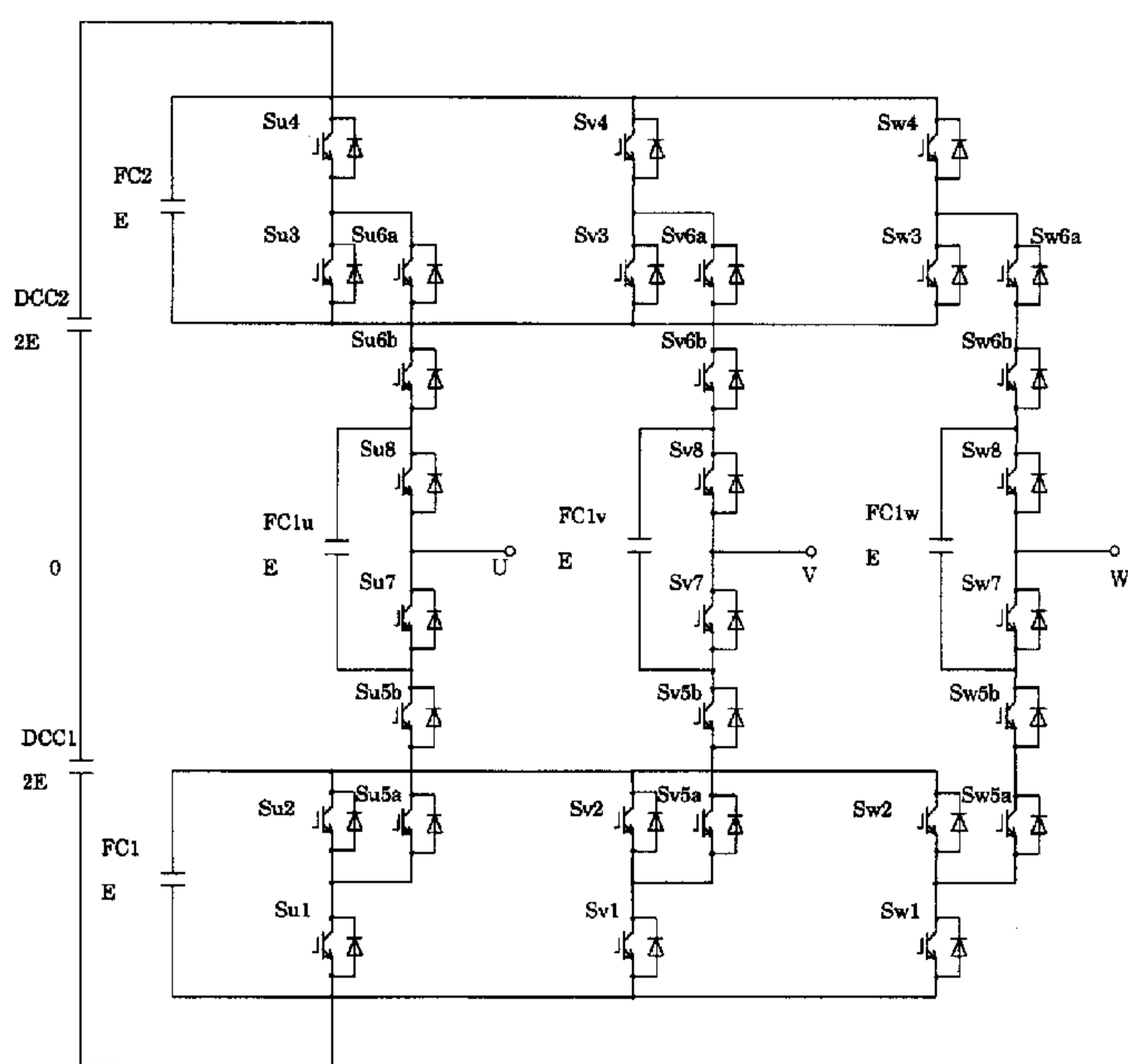
(19) 世界知的所有権機関
国際事務局(43) 国際公開日
2015年2月5日(05.02.2015)(10) 国際公開番号
WO 2015/015885 A1

- (51) 国際特許分類:
H02M 7/483 (2007.01)
- (21) 国際出願番号: PCT/JP2014/064105
- (22) 国際出願日: 2014年5月28日(28.05.2014)
- (25) 国際出願の言語: 日本語
- (26) 国際公開の言語: 日本語
- (30) 優先権データ:
特願 2013-160999 2013年8月2日(02.08.2013) JP
特願 2013-240681 2013年11月21日(21.11.2013) JP
- (71) 出願人: 株式会社明電舎(MEIDENSHA CORPORATION) [JP/JP]; 〒1416029 東京都品川区大崎2丁目1番1号 Tokyo (JP).
- (72) 発明者: 長谷川 勇 (HASEGAWA, Isamu); 〒1416029 東京都品川区大崎2丁目1番1号 株式会社明電舎内 Tokyo (JP). 小玉 貴志 (KODAMA, Takashi); 〒1416029 東京都品川区大崎2丁目1番1号 株式会社明電舎内 Tokyo (JP). 近藤 猛 (KONDO, Takeshi); 〒1416029 東京都品川区大崎2丁目1番1号 株式会社明電舎内 Tokyo (JP). 漆畑 正太 (URUSHIBATA, Shota); 〒1416029 東京都品川区大崎2丁目1番1号 株式会社明電舎内 Tokyo (JP).
- (74) 代理人: 小林 博通, 外 (KOBAYASHI, Hiromichi et al.); 〒1040044 東京都中央区明石町1番29号 掖済会ビル SHIGA 内外国特許事務所内 Tokyo (JP).
- (81) 指定国 (表示のない限り、全ての種類の国内保護が可能): AE, AG, AL, AM, AO, AT, AU, AZ, BA, BB, BG, BH, BN, BR, BW, BY, BZ, CA, CH, CL, CN, CO, CR, CU, CZ, DE, DK, DM, DO, DZ, EC, EE, EG, ES, FI, GB, GD, GE, GH, GM, GT, HN, HR, HU, ID, IL, IN, IR, IS, KE, KG, KN, KP, KR, KZ, LA, LC, LK, LR, LS, LT, LU, LY, MA, MD, ME, MG, MK, MN, MW, MX, MY, MZ, NA, NG, NI, NO, NZ, OM, PA, PE, PG, PH,

[続葉有]

(54) Title: MULTILEVEL POWER CONVERSION DEVICE

(54) 発明の名称: マルチレベル電力変換装置



(57) Abstract: A multilevel power conversion device comprises: N DC power supplies (DCC1 to DCCN) ($N \geq 1$) connected in series and common to each phase; first flying capacitors (FC1, FC3, ..., FC2N-1) having one end connected to the negative electrode end of each of the DC power supplies (DCC1 to DCCN) and common to each phase; a second flying capacitors (FC2, FC4, ..., FC2N) having one end connected to the positive electrode end of each of the DC power supplies (DCC1 to DCCN) and common to each phase; and a phase module using, as input terminals, the positive and negative electrode ends of the first flying capacitors (FC1, FC3, ..., FC2N-1) and the positive and negative electrode ends of the second flying capacitors (FC2, FC4, ..., FC2N). In the phase module, a capacitor (FC1u) is connected in parallel with the two switching elements (Su7, Su8) of an output stage. This reduces the number of elements used in a multiphase multilevel power conversion device, thereby reducing the cost of the device and reducing the size of the device.

(57) 要約: N個 ($N \geq 1$) 直列接続された各相共通の直流電圧源 DCC1 ~ DCCN と、各直流電圧源 DCC1 ~ DCCN の負極端に一端が接続された各相共通の第1フ

ライングキャパシタ FC1, FC3, ..., FC2N-1 と、各直流電圧源 DCC1 ~ DCCN の正極端に一端が接続された各相共通の第2フライングキャパシタ FC2, FC4, ..., FC2N と、第1フライングキャパシタ FC1, FC3, ..., FC2N-1 の正極端、負極端、第2フライングキャパシタ FC2, FC4, ..., FC2N の正極端、負極端を入力端子とする相モジュールと、を備える。相モジュールには、出力段の2つのスイッチング素子 Su7, Su8 に対してキャパシタ FC1u を並列に接続する。これにより、多相のマルチレベル電力変換装置において、使用する素子の数を減少させ、装置におけるコストの低減、小型化を図る。

WO 2015/015885 A1

PL, PT, QA, RO, RS, RU, RW, SA, SC, SD, SE, SG, SK, SL, SM, ST, SV, SY, TH, TJ, TM, TN, TR, TT, TZ, UA, UG, US, UZ, VC, VN, ZA, ZM, ZW.

MT, NL, NO, PL, PT, RO, RS, SE, SI, SK, SM, TR), OAPI (BF, BJ, CF, CG, CI, CM, GA, GN, GQ, GW, KM, ML, MR, NE, SN, TD, TG).

(84) 指定国 (表示のない限り、全ての種類の広域保護が可能): ARIPO (BW, GH, GM, KE, LR, LS, MW, MZ, NA, RW, SD, SL, SZ, TZ, UG, ZM, ZW), ユーラシア (AM, AZ, BY, KG, KZ, RU, TJ, TM), ヨーロッパ (AL, AT, BE, BG, CH, CY, CZ, DE, DK, EE, ES, FI, FR, GB, GR, HR, HU, IE, IS, IT, LT, LU, LV, MC, MK,

添付公開書類:

- 国際調査報告 (条約第 21 条(3))
- 補正された請求の範囲 (条約第 19 条(1))

DESCRIPTION**TITLE OF THE INVENTION : MULTILEVEL POWER
CONVERSION DEVICE****Technical Field**

5 [0001.] This invention relates to a multiphase multilevel power conversion device, and more specifically to a multilevel power conversion device using a flying capacitor common to respective phases.

Background Art

10 [0002.] FIG. 29 shows a circuit configuration diagram showing a multilevel power conversion device in a patent document 1. By setting a phase voltage reference point to a terminal 0, controlling direct current voltage sources DCC1 and DCC2 to $2E$, and controlling flying capacitors FC1
15 and FC2 to E , it is possible to output a phase voltage of five levels of $2E$, E , 0 , $-E$, and $-2E$ from output terminals U, V, and W.

[0003.] Besides, in FIG. 29, maximum voltages applied to switching elements Su1 to Su8, Sv1 to Sv8, and Sw1 to Sw8, and diode elements Su9 to Su12, Sv9 to Sv12, and Sw9 to Sw12 in a steady state are E . For equalizing these maximum applying voltages of all the switching elements and the diode elements, Su6b and Su8 are connected in series to each other. This is also applied to the switching
20 elements Su7 and Su5b, Sv6b and Sv8, Sv7 and Sv5b, Sw6b and Sw8, Sw7 and Sw5b, Su9 and Su10, Su11 and Su12, Sv9 and Sv10, Sv11 and Sv12, Sw9 and Sw10, and Sw11 and Sw12.

[0004.] Moreover, there is proposed a multilevel power conversion device shown in FIG. 30. In the circuits shown in FIG. 29 and FIG. 30, used direct current voltage sources DCC1 and DCC2, and flying capacitors FC1 and FC2 are
5 common to the three phases. With this, the number of the capacitors are decreased, and the size of the device is decreased.

Prior Art Document

Patent Document

10 [0005.] Patent Document 1: Japanese Patent Application Publication No. 2013-132261

Summary of The Invention

[0006.] The circuit of FIG. 29 can output phase voltages of 5 levels. One phase is constituted by ten switching
15 elements and four diode elements. When three-phases DC/AC convertor is considered in FIG. 29, the number of the used switching elements is 30. The number of the diode elements is 12. The number of the summation is 42. In this way, in the conventional multilevel power
20 conversion device, the number of the used elements are many. The cost of the device is high. The size of the device is increased.

[0007.] The multilevel power conversion device shown in FIG. 30 can arbitrarily select charge and discharge patterns
25 of common flying capacitors, irrespective of outputted phase voltage levels. However, elements other than the direct current voltage sources DCC1 and DCC2, and the flying capacitors FC1 and FC2 are independently used in the respective phases. Accordingly, the number of the
30 switching elements are many. The cost of the device is

high. The size of the device is large. For example, 5 level power conversion device of the three phases needs 48 switching elements in the three phases.

[0008.] Moreover, by providing the switching elements
5 S1 and S2 which are common to the M phases as shown in FIG. 31, it is possible to decrease the total number of the used switching elements. However, it is not possible to arbitrarily select the charge and discharge patterns of the flying capacitors FC1 and FC2 which are common to the
10 respective phases.

[0009.] FIG. 32 shows switching patterns of the output phase voltage levels E and -E. FIG. 33 shows an example of a charge and discharge pattern which cannot be arbitrarily selected in the flying capacitor FC2. In this case,
15 ○ in the drawing represents a switching element which is conducted (turned on).

[0010.] As shown in FIG. 32, the output phase voltage levels E and -E have, respectively, two pattern output methods. In the pattern of E, it is possible to charge and
20 discharge the flying capacitor FC2. In the pattern of -E, it is possible to charge and discharge the flying capacitor FC1.

[0011.] However, in a case where the patterns of FIGS. 32(b) and (d) are simultaneously used when the U phase is E, the V phase is 0, and the W phase is -E as shown in FIG.
25 33, the switching elements Su4, Su14, and S1 are simultaneously conducted with each other. Accordingly, the direct current power source DCC2 and the flying capacitor FC2 are short-circuited.

[0012.] Accordingly, for outputting E to avoid the short-circuit of the direct current voltage source DCC2 and the flying capacitor FC2, the output pattern of FIG. 32(b) cannot be applied. It is limited to the output pattern of FIG. 32(a). In this way, in a case where the pattern of the charge and the discharge is limited, it is not possible to arbitrarily switch the charge and the discharge of the flying capacitors FC1 and FC2. The control method is complicated.

10 [0013.] It is, therefore, an object of the present invention to provide a multiphase multilevel power conversion device devised to decrease a number of used elements, and to decrease a cost and a size of the device.

[0014.] The present invention was devised in consideration of the above-described conventional problems. According to an aspect of the present invention, there is provided a multilevel power conversion device configured to generate an alternating current output which is converted from voltages of N direct current voltage sources, flying capacitors, and other capacitors, to a plurality of voltage levels, N being ≥ 1 , the multilevel power conversion device comprising:

20 the N direct current voltage sources which are connected in series with each other, and which are common to all phases;

the flying capacitors including:

a first flying capacitor which has one end connected to a negative electrode terminal of the series connection of the direct current voltage sources, and which is common to all phases; and

a second flying capacitor which has one end connected to a positive electrode terminal of the series connection of the direct current voltage sources, and which is common to the all phases; and

phase modules of M phases, M being ≥ 2 , each of the M phases including:

a positive electrode terminal and a negative electrode terminal of the first flying capacitor, and a positive electrode terminal and a negative electrode terminal of the second flying capacitor serving as input terminals;

one end of each one of switching elements being connected to one of the input terminals,

other ends of adjacent two of the switching elements being connected to each other in a first sequence,

10 one end of one of the switching elements being connected to a common connection point of the switching elements which have the other ends connected to each other in a second sequence,

the first sequence and the second sequence being repeated until a final stage in which a number of the switching elements becomes two,

two of the switching elements of an output stage being connected in series between the other ends of the two of the switching elements of the final stage,

one of the other capacitors being connected in parallel with the two of the switching elements of the output stage,

20 a common connection point of the switching elements of the output stage serving as an output terminal,

each of the phase modules of the M phases being configured to output, from the output terminal, a potential of one of the input terminals, or a potential obtained by adding or subtracting the voltage of the one of the other capacitors to or from the potential of the one of the input terminals, by selectively controlling the respective switching elements in an ON/OFF manner.

According to a preferred aspect, a multilevel power conversion device configured to generate an alternating current output which is converted

to a plurality of voltage levels from voltages of a direct current voltage source, a flying capacitor, and a capacitor, the multilevel power conversion device comprising:

the N ($N \geq 2$) direct current voltage sources which are connected in series with each other, and which are common to respective phases;

a first flying capacitor which has one end connected to a negative electrode terminal of each of the direct current voltage sources, and which are common to the respective phases;

10 a second flying capacitor which has one end connected to a positive electrode terminal of each of the direct current voltage sources, and which are common to the respective phases; and

a phase module of a M phase ($M \geq 2$) including;

a positive electrode terminal and a negative electrode terminal of the first flying capacitor, and a positive electrode terminal and a negative electrode terminal of the second flying capacitor being set to an input terminal;

one end of each of switching elements being connected to each of the input terminal,

20 other ends of adjacent two of the switching elements being connected to each other,

these being repeated until a final stage in which a number of the switching elements becomes two,

two of the switching elements of an output stage being connected in series between the other ends of the two of the switching elements of the final stage,

a capacitor being connected in parallel with the two of the switching elements of the output stage,

a common connection point of the switching elements of the output stage being set to an output terminal,

the phase module of a M phase ($M \geq 2$) being configured to output, from the output terminal, a potential of one of the input terminals, or a potential obtained by adding or subtracting the voltage of the capacitor to or from the potential of the one of the input terminals, by selectively controlling the respective switching elements in an ON/OFF manner.

[0015.] According to another aspect of the invention, there is provided a multilevel power conversion device configured to generate an alternating current output which is converted from voltages of N direct current voltage sources, flying capacitors, and other capacitors, to a plurality of voltage levels, N being ≥ 2 , the multilevel power conversion device comprising:

the N direct current voltage sources which are connected in series with each other, and which are common to all phases;

the flying capacitors including:

a first flying capacitor having a positive electrode terminal connected to a common connection point between a nth direct current voltage source (n: odd number) and a (n+1)th direct current voltage source (n+1: even number);

a second flying capacitor having a negative electrode terminal connected to a common connection point between nth direct current voltage source and (n+1) direct current voltage source; and

phase modules of M phases, M being ≥ 2 , each of the M phases including:

the negative electrode terminal of the nth direct current voltage source, the negative electrode terminal of the first flying capacitor, the positive electrode terminal of the nth direct current power source, and the positive electrode terminal of the second flying capacitor serving as input terminals,

one end of each of switching elements being connected to one of the input terminals,

the other ends of adjacent two of the switching elements being connected to each other in a first sequence,

one end of one of the switching elements being connected to a common connection point between the switching elements which have the other ends connected to each other in a second sequence,

the first sequence and the second sequence being repeated until a final stage in which a number of the switching elements becomes two,

10

two of the switching elements of an output stage being connected in series with each other between the other ends of two of the switching elements of the final stage,

one of the other capacitors being connected in parallel with two of the switching elements of the output stage,

a common connection point of the switching elements of the output stage serving as an output terminal,

each of the phase modules of the M phases being configured to output a potential of one of the input terminals, or a potential obtained by adding or subtracting the voltage of the capacitor to or from the potential of the one of the input terminals, by selectively controlling the respective switching elements in an ON-OFF manner.

20

[0016.] According to another aspect of the invention, there is provided a multilevel power conversion device configured to generate an alternating current output which is converted from voltages of two direct current voltage sources, $4N$ flying capacitors, and other capacitors, to a plurality of voltage levels, N being ≥ 1 , the multilevel power conversion device comprising:

the two direct current voltage sources which are connected to each other, and which are common to all phases;

the 4N flying capacitors including:

N flying capacitors of first to Nth flying capacitors which have negative electrode terminals that are connected in order in series with a negative electrode terminal of the first direct current voltage source, and which are common to the all phases;

10 N flying capacitors of (N+1)th to 2Nth flying capacitors which have positive electrode terminals connected in order in series with a common connection point between the first direct current voltage source and the second direct current voltage source, and which are common to the all phases;

N flying capacitors of (2N+1)th to 3Nth flying capacitors which have negative electrode terminals connected in order in series with the common connection point between the first direct current voltage source and the second direct current voltage source, and which are common to the all phases, and

20 N flying capacitors of 4Nth to (3N+1)th flying capacitors which have positive electrode terminals connected in order in series with the positive electrode terminal of the second direct current voltage source, and which are common to the all phases; and

phase modules of M phases, M being ≥ 2 , each of the M phases including:

a positive electrode terminal and the negative electrode terminal of the first flying capacitor, positive electrode terminals of the second to Nth flying capacitors, negative electrode terminals of the (N+1) to 2Nth flying capacitors, positive electrode terminals of the (2N+1) to 3Nth flying capacitors, negative electrode terminals of the (3N+1) to (4N-1) flying capacitors, and the positive electrode terminal

and a negative electrode terminal of the 4Nth flying capacitor serving as input terminals,

one ends of the switching elements being connected to the respective input terminals,

the other ends of adjacent two of the switching elements being connected to each other in a first sequence,

one end of one of switching elements being connected to a common connection point between the switching elements which have the other ends connected to each other in a second sequence,

10 the first sequence and the second sequence being repeated until a final stage in which a number of the switching element becomes two,

two of the switching elements of an output stage being connected in series with each other between the other ends of the two of the switching elements of the final stage,

one of the other capacitors being connected in parallel to the two of the switching elements of the output stage,

a common connection point of the switching elements of the output stage serving as an output terminal,

20 each of the phase modules of the M phases ($M \geq 2$) which are configured to output, from the output terminal, a potential of one of the input terminals, or a potential obtained by adding or subtracting a voltage of the capacitor to or from the potential of the input terminals, by selectively controlling the switching elements in an ON-OFF manner.

[0017.] According to another aspect of the invention, there is provided a multilevel power conversion device configured to generate an alternating current output which is converted from voltages of two direct current voltage sources, 2N flying capacitors, and other

capacitors, to a plurality of voltage levels, M being ≥ 2 , the multilevel power conversion device comprising:

the two direct current voltage sources which are connected in series with each other, and which are common to all phases;

the $2N$ flying capacitors including:

N flying capacitors of first to N th flying capacitors which have negative electrode terminals connected in order in series with the negative electrode side of the first direct current voltage sources, and which are common to the all phases, and

10 N flying capacitors of $(N+1)$ to $2N$ th flying capacitors which have positive electrode terminals connected in order in series with a positive electrode side of the second direct current voltage source, and which are common to the all phases;

phase modules of M phases, M being ≥ 2 , each of the M phases including:

20 a positive electrode terminal and the negative electrode terminal of the first flying capacitor, positive electrode terminals of the second to N th flying capacitors, negative electrode terminals of $(N+1)$ th to $(2N-1)$ th flying capacitors, and the positive electrode terminal and a negative electrode terminal of the $2N$ flying capacitor serving as input terminals,

one end of the switching elements being connected to the respective input terminals,

the other ends of adjacent two of the switching elements being connected to each other in a first sequence,

one end of one of switching elements being connected to a common connection point between the switching elements which have the other ends connected to each other in a second sequence,

the first sequence and the second sequence being repeated until a final stage in which a number of the switching elements becomes two,

two of the switching elements of an output stage being connected in series with each other between the other ends of the two of the switching elements of the final stage,

one of the other capacitors being connected in parallel with the two of the switching elements of the output stage,

10 a common connection point of the switching elements of the output stage serving as an output terminal,

each of the phase modules of the M phases ($M \geq 2$) being configured to output a potential of one of the input terminals, or a potential obtained by adding a voltage of the capacitor to or from the potential of the one of the input terminals, by selectively controlling the switching elements in an ON-OFF manner.

[0018.] Preferably, the first direct current voltage source and the second direct current voltage source are integrated to one direct current voltage source.

20 According to another aspect of the present invention, there is provided a multilevel power conversion device configured to generate an alternating current output which is converted from a direct current voltage to a plurality of voltage levels, the multilevel power conversion device comprising:

N direct current voltage sources which are connected in series with each other, and which are common to all phases, M being ≥ 2 ;

a basic cell being common to the all phases, and including a first semiconductor element having one end connected to positive electrode terminals of the direct current power sources, a second semiconductor element having one end connected to negative electrode terminals of

the direct current power sources, a flying capacitor connected between the other end of the first semiconductor element and the other end of the second semiconductor element, and third and fourth semiconductor elements connected in series between the common connection point of the first semiconductor element and the flying capacitor, and the common connection point of the second semiconductor element and the flying capacitor; and

phase modules of M phases, M being ≥ 2 , each of the M phases including:

10 at least one of the one end of the first semiconductor element and the one end of the second semiconductor element, and a common connection point of the third and fourth semiconductor elements serving as input terminals,

switching elements disposed between the respective input terminals and an output terminal,

the phase modules being configured to selectively control the respective switching elements in an ON-OFF manner,

wherein in each of the phase modules,

20 one end of one of the switching elements is connected to the respective input terminals,

the other ends of adjacent two of the switching elements are connected to each other in a first sequence,

one end of one of the switching elements is connected to a common connection point between the switching elements which have the other ends that are connected to each other in a second sequence,

the first sequence and the second sequence are repeated until a final stage in which a number of the switching elements becomes two,

two of the switching elements of an output stage are connected in series between the other ends of the two of the switching elements of the final stage,

a capacitor is connected in parallel with the two of the switching elements of the output stage,

10 a common connection point between the switching elements of the output stage serves as the output terminal; and each of the phase modules is configured to output, from the output terminal, a potential of one of the terminals of the input terminals, or a potential obtained by adding or subtracting a voltage of the capacitor to or from a potential of one of the input terminals.

According to another aspect of the present invention, there is provided a multilevel power conversion device configured to generate an alternating current output which is converted from a direct current voltage to a plurality of voltage levels, the multilevel power conversion device comprising:

N direct current voltage sources which are connected in series with each other, and which are common to all phases, M being ≥ 2 ;

20 a basic cell being common to the all phases, and including a first semiconductor element having one end connected to positive electrode terminals of the direct current power sources, a second semiconductor element having one end connected to negative electrode terminals of the direct current power sources, a flying capacitor connected between the other end of the first semiconductor element and the other end of the second semiconductor element, and third and fourth semiconductor elements connected in series between a common connection point of the first semiconductor element and the flying capacitor, and a common connection point of the second semiconductor element and the flying capacitor; and

phase modules of M phases, M being ≥ 3 , each of the M phases including:

at least one of the one end of the first semiconductor element and the one end of the second semiconductor element, and a common connection point of the third and fourth semiconductor elements serving as input terminals,

switching elements which include first to fifth switching elements, and which are disposed between the respective input terminals and an output terminal,

10 each of the phase modules being configured to selectively control the respective first to fifth switching elements in an ON-OFF manner, wherein in each of the phase modules,

one end of the first switching element is connected to one of the one end of the first semiconductor element and the one end of the second semiconductor element,

one end of the second switching element is connected to the common connection point between the third and fourth semiconductor elements,

20 the other ends of the first and second switching elements are connected to each other,

one end of the third switching element is connected to a common connection point between the first and second switching elements,

the other end of the third switching element is connected to one end of a direct current circuit in which the fourth switching element and the fifth switching element are connected in series with each other,

a cathode of a first diode and an anode of a second diode are connected to the other of the one end of the first semiconductor element and the one end of the second semiconductor element,

the direct current circuit in which the fourth switching element and the fifth switching element are connected in series with each other is connected in parallel to the first diode and the second diode,

a common connection point between the fourth and fifth switching elements is set to an output terminal, or

one end of one of the switching elements is connected to a common connection point between the fourth and fifth switching elements,

the other ends of adjacent two of the switching elements are connected to each other in a first sequence,

10 one of the switching elements is connected to a common connection point between the switching elements having the other ends that are connected to each other in a second sequence,

the first sequence and the second sequence are repeated until an output stage in which a number of the switching elements becomes two,

a common connection point of the two of the switching elements of the output stage serves as an output terminal;

each of the phase modules is configured to output, from the output terminal, a potential of one of the input terminals, by selectively controlling the respective switching elements in an ON-OFF manner.

20 According to another aspect of the present invention, there is provided a multilevel power conversion device configured to generate an alternating current output which is converted from a direct current voltage to a plurality of voltage levels, the multilevel power conversion device comprising:

a first direct current voltage source which is common to all phases;

a second direct current voltage source which is common to the all phases, and which has a negative electrode terminal connected to a positive electrode terminal of the first direct current voltage source; and

a first basic cell being common to the all phases, and including a first semiconductor element having one end connected to the positive electrode terminal of the first direct current voltage source, a second semiconductor element having one end connected to the a negative electrode terminal of the first direct current voltage source, a flying capacitor connected between the other end of the first semiconductor element and the other end of the second semiconductor element, and third and fourth semiconductor elements connected in order in series with each other between a common connection point of the first semiconductor element and the flying capacitor, and a common connection point between the second semiconductor element and the flying capacitor;

a second basic cell being common to the all phases, and including a first semiconductor element having one end connected to a positive electrode terminal of the second direct current voltage source, a second semiconductor element having one end connected to the negative electrode terminal of the second direct current voltage source, a flying capacitor connected between the other end of the first semiconductor element and the other end of the second semiconductor element, and third and fourth semiconductor elements connected in order in series with each other between a common connection point between the first semiconductor element and the flying capacitor, and a common connection point between the second semiconductor element and the flying capacitor;

phase modules of M phases, M being ≥ 3 , each of the M phases including:

the one end of the second semiconductor element of the first basic cell, a common connection point of the third and fourth semiconductor elements of the first basic cell, a common connection

point between the first semiconductor element of the first basic cell and the second semiconductor element of the second basic cell, a common connection point of the third and fourth semiconductor elements of the second basic cell, and the one end of the first semiconductor element of the second basic cell serving as input terminals,

10 first and second switching elements on a side of the second basic cell being connected in order in series with each other between the one end of the first semiconductor element of the second basic cell and the common connection point of the third and fourth semiconductor elements of the second basic cell,

first and second switching elements on a side of the first basic cell being connected in order in series with each other between the one end of the second semiconductor element of the first basic cell, and the common connection point of the third and fourth semiconductor elements of the first basic cell,

one end of a third switching element on the side of the first basic cell being connected to the common connection points of the first and second switching elements on the side of the first basic cell,

20 one end of the third switching element on the side of the second basic cell being connected to the common connection point of the first and second switching elements on the side of the second basic cell,

fifth and fourth switching elements being connected in order in series between the other end of the third switching element on the side of the second basic cell, and the other end of the third switching element on the side of the first basic cell,

a cathode of a first diode and an anode of a second diode being connected to the common connection point of the one end of the first

semiconductor element of the first basic cell, and the one end of the second semiconductor element of the second basic cell,

a direct current circuit in which the fourth switching element and the fifth switching element are connected in series with each other being connected parallel to the first diode and the second diode,

a common connection point of the fourth and fifth switching elements serving as an output terminal,

each of the phase modules of the M phases ($M \geq 3$) being configured to selectively control the respective switching elements in an ON-OFF manner,

10

each of the phase modules being configured to output a potential of one of the input terminals from the output terminal by selectively controlling the respective switching elements in the ON-OFF manner.

According to the present invention, there is also provided a multilevel power conversion device configured to generate an alternating current output which is converted from a direct current voltage to a plurality of voltage levels, the multilevel power conversion device comprising:

N direct current voltage sources which are connected in series with each other, and which are common to all phases, N being ≥ 2 ;

20

a basic cell being common to the all phases, and including a first semiconductor element having one end connected to positive electrode terminals of the respective direct current power sources, a second semiconductor element having one end connected to negative electrode terminals of the direct current power sources, a flying capacitor connected between the other end of the first semiconductor element and the other end of the second semiconductor element, and third and fourth semiconductor elements connected in series between a common connection point of the first semiconductor element and the flying

capacitor, and a common connection point of the second semiconductor element and the flying capacitor; and

phase modules of M phases, M being ≥ 3 , each of the M phases including:

at least one of the one end of the first semiconductor element and the one end of the second semiconductor element, and a common connection point of the third and fourth semiconductor elements serving as input terminals,

10 switching elements which include first to third switching elements, and which are disposed between the respective input terminals and an output terminal,

each of the phase modules being configured to selectively control the respective switching elements in an ON-OFF manner,

wherein in each of the phase modules,

one end of the first switching element is connected to one of the one end of the first semiconductor element and the one end of the second semiconductor element,

one end of the second switching element is connected to a common connection point between the third and fourth semiconductor elements,

20 the other ends of the first and second switching elements are connected to each other,

one end of the third switching element is connected to the common connection point between the first and second switching elements,

one end of a bidirectional switch is connected to the other of the one end of the first semiconductor element and the one end of the second semiconductor element,

the other end of the third switching element is connected to the other end of the bidirectional switch,

a common connection point between the third switching element and the bidirectional switch is set to the output terminal,

each of the phase modules is configured to output a potential of one of the input terminals from the output terminal, by selectively controlling the respective switching elements.

Preferred embodiments are described hereunder.

[0019.] According to a preferred aspect, a multilevel power conversion device configured to generate an alternating current output which is converted to a plurality of voltage levels from voltages of a direct current voltage source, a flying and a capacitor, the multilevel power conversion device comprising:

2N+2 direct current voltage sources ($N \geq 1$) which are connected in series with each other, and which are common to respective phases;

a phase module of a M phase ($M \geq 2$) including;

positive electrode terminals and negative electrode terminals of first and (2N+2)th direct current voltage sources, positive electrode terminals of second to Nth direct current voltage sources, and negative electrode terminals of (N+3)th to (2N+1)th direct current voltage sources being set to input terminals,

one end of the switching element being connected to the respective input terminals,

the other ends of adjacent two of the switching elements being connected to each other,

one end of the switching element being connected to a common connection point between the switching elements having the other ends connected to each other,

these being repeated until a final stage in which a number of the switching elements becomes two,

two of the switching elements of the output stage being connected in series with each other between the other ends of two of the switching elements of the final stage,

a capacitor being connected in parallel with the two of the switching elements of the output stage,

the common connection point between the switching elements of the output stage being set to the output terminal,

10 the phase module of M phases ($M \geq 2$) configured to output a potential of one of the input terminals, or a potential obtained by adding a voltage of the capacitor to or from the potential of the one of the input terminals, by selectively controlling the switching elements in an ON-OFF manner.

[0020.] Preferably, the $(N+1)$ th direct current voltage source and the $(N+2)$ th direct current voltage source are integrated to one direct current voltage source.

[0021.] According to a preferred aspect, a multilevel power conversion device configured to generate an alternating current output which is converted to a plurality of voltage levels from a direct current voltage, the multilevel power conversion device comprising:

20 N direct current voltage sources ($N \geq 2$) which are connected in series with each other, and which are common to respective phases;

a basic cell including a first semiconductor element having one end connected to positive electrode terminals of the respective direct current power sources, a second semiconductor element having one end connected to negative electrode terminals of the second direct current power source, a flying capacitor connected between the other end of the first semiconductor element and the other end of the semiconductor element, and third and fourth semiconductor elements connected in series between the common connection point of the first semiconductor

element and the flying capacitor, and the common connection point of the second semiconductor element and the flying capacitor; and

a phase module of M phases ($M \geq 3$) including;

at least one of the one end of the first semiconductor element and the one end of the second semiconductor element, and a common connection point of the third and fourth semiconductor elements being set to input terminals,

a switching element disposed between the respective input terminals and the output terminal,

10 the phase module being configured to selectively control the respective switching elements in an ON-OFF manner.

[0022.] According to a preferred aspect, in the phase module, one end of the switching element is connected to the respective input terminals,

the other ends of the adjacent two of the switching elements are connected to each other,

one end of the switching element is connected to a common connection point between the switching elements which have the other ends that are connected to each other,

20 these sequences are repeated until a final stage in which a number of the switching elements becomes two,

the two switching elements of the output stage are connected in series between the other ends of the two of the switching elements of the final stage,

the capacitor is connected in parallel with two of the switching elements of the output stage,

a common connection point between the switching elements of the output stage is set to the output terminal; and the phase module is configured to output, from an output terminal, a potential of one of

the terminals of the input terminals, or a potential obtained by adding or subtracting a voltage of the capacitor to or from a potential of one of the input terminals.

[0023.] According to a preferred aspect, in the phase module,

one end of the first switching element is connected to one of one end of the first semiconductor element and one end of the second semiconductor element,

10 one end of the second switching element is connected to a common connection point between the third and fourth semiconductor element,

the other ends of the first and second switching elements are connected to each other,

one end of the third switching element is connected to a common connection point between the first and second switching elements,

one end of a direct current circuit in which the fourth switching element and the fifth switching element are connected in series with each other,

20 a cathode of a first diode and an anode of a second diode are connected to the other of the common connection point between the one end of the first semiconductor element and the one end of the second semiconductor element,

a direct current circuit in which the fourth switching element and the fifth switching element are connected in series with each other is connected in parallel to the first diode and the second diode,

a common connection point between the fourth and fifth switching elements is set to an output terminal, or the one end of the switching element is connected to the common connection point between the fourth and fifth switching elements,

the other ends of adjacent two of the switching elements are connected to each other,

the switching element is connected to a common connection point between the switching elements having the other ends that are connected to each other,

this is repeated until an output stage in which a number of the switching elements becomes two,

the common connection point of the two switching elements of the output stage is set to an output terminal;

10 the phase module is configured to output, from the output terminal, a potential of one of the input terminals, by selectively controlling the respective switching elements in an ON-OFF manner.

[0024.] According to a preferred aspect, in the phase module,

one end of the first switching element is connected to one of one end of the first semiconductor element and one end of the second semiconductor element,

one end of the second switching element is connected to a common connection point between the third and fourth semiconductor elements,

20 the other ends of the first and second switching elements are connected to each other,

one end of the third switching element is connected to the common connection point between the first and second switching elements,

one end of a bidirectional switch is connected to a common connection point of the other of the one end of the first semiconductor element and the one end of the second semiconductor element,

the common connection point between the third switching element and the bidirectional switch is connected to the output terminal,

the phase module is configured to output a potential of one of the input terminals from the output terminal, by selectively controlling the respective switching elements.

[0025.] According to a preferred aspect, two switching elements are connected in series between the other ends of adjacent two of the switching elements which are other than the final stage,

10 the capacitor is connected in parallel with the two switching elements which are connected in series with each other,

one end of the switching element of a next stage is connected to a common connection point of the two switching elements which are connected in series with each other;

20 a potential of one of the input terminals, or a potential obtained by adding or subtracting a voltage of a capacitor connected in parallel with the switching element of the output stage, and a voltage of a capacitor connected in parallel with the switching element connected in series between adjacent two of the switching elements which are other than the final stage by selectively controlling the respective switching elements in an ON-OFF manner is outputted from the output terminal.

[0026.] Preferably, the respective direct current voltage sources are divided into two or more direct current connections.

[0027.] Preferably, a part or all of the switching elements and the semiconductor elements are divided into two or more direct current connections. A part or all of the switching elements and the semiconductor elements are divided into two or more parallel current connections.

[0028.] In the multiphase multilevel power conversion device according to the present invention, it is possible to decrease the number of the used elements, and to decrease the cost and the size of the device.

Brief Description of Drawings

[0029.] FIGS. 1 are schematic views showing a pattern at 0 output in a conventional circuit.

FIG. 2 is a circuit configuration view showing a multilevel power conversion device according to a first embodiment.

10 FIGS. 3 are schematic views showing examples of operations at each output voltage in the first embodiment.

FIG. 4 is a circuit configuration view showing a multilevel power conversion device according to a second embodiment.

FIGS. 5 are schematic views showing an example of operations at each output voltage in the second embodiment.

FIG. 6 is a circuit configuration view showing a multilevel power conversion device according to a third embodiment.

FIG. 7 is a circuit configuration view showing a multilevel power conversion device according to a fourth embodiment.

20

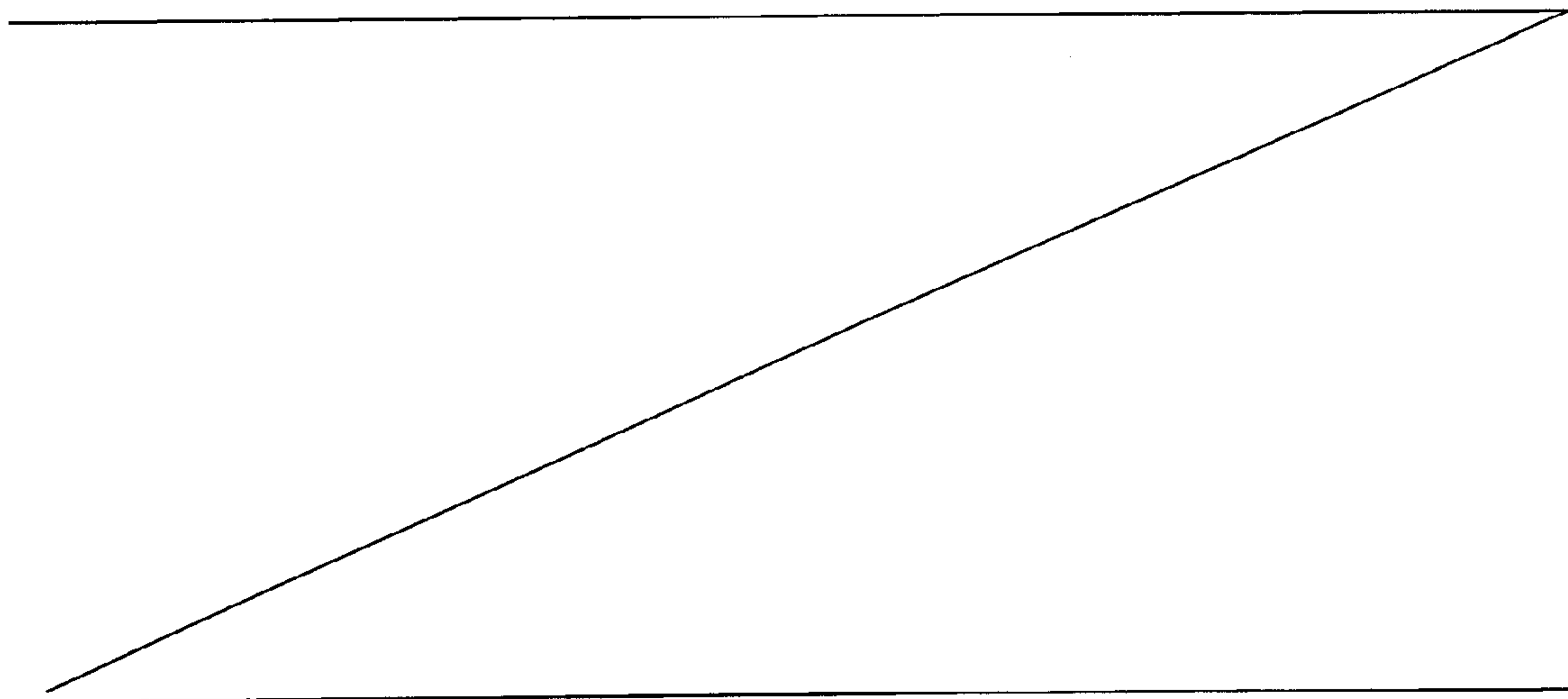


FIG. 8 is a circuit configuration view showing a multilevel power conversion device according to a fifth embodiment.

5 FIG. 9 is a circuit configuration view showing a multilevel power conversion device according to a sixth embodiment.

FIG. 10 is a circuit configuration view showing a multilevel power conversion device according to a seventh embodiment.

10 FIG. 11 is a circuit configuration view showing a multilevel power conversion device according to an eighth embodiment.

FIG. 12 is a circuit configuration view showing a multilevel power conversion device according to a ninth
15 embodiment.

FIGS. 13 are schematic views showing phase modules.

FIG. 14 is a circuit configuration view showing a multilevel power conversion device according to a tenth
embodiment.

20 FIG. 15 is a circuit configuration view showing a multilevel power conversion device according to an eleventh embodiment.

FIG. 16 is a circuit configuration view showing a multilevel power conversion device according to a twelfth
25 embodiment.

FIG. 17 is a circuit configuration view showing a multilevel power conversion device according to a thirteenth embodiment.

30 FIG. 18 is a circuit configuration diagram showing a structure of a basic cell.

FIG. 19 is a circuit configuration diagram showing a circuit in which the basic cells are connected in series to each other.

FIG. 20 is a circuit configuration view showing a
5 multilevel power conversion device according to a fourteenth embodiment.

FIGS. 21 are schematic views showing switching patterns of the basic cell.

FIGS. 22 are schematic views showing switching
10 patterns at respective voltages of the multilevel power conversion device according to the fourteenth embodiment.

FIG. 23 is a circuit configuration view showing a multilevel power conversion device according to a fifteenth embodiment.

FIGS. 24 are schematic views showing switching
15 patterns at respective voltages of the multilevel power conversion device according to the fifteenth embodiment.

FIG. 25 is a circuit configuration view showing a
20 multilevel power conversion device according to a sixteenth embodiment.

FIGS. 26 are schematic views showing switching patterns at respective voltages of the multilevel power conversion device according to the sixteenth embodiment.

FIG. 27 is a block diagram showing a multilevel power
25 conversion device according to the sixteenth embodiment.

FIGS. 28 are a schematic diagram showing a phase module.

FIG. 29 is a circuit configuration view showing one
30 example of a conventional multilevel power conversion device.

FIG. 30 is a circuit configuration view showing another example of a conventional multilevel power conversion device.

FIG. 31 is a circuit configuration view showing still
5 another example of a conventional multilevel power conversion device.

FIGS. 32 are schematic views showing switching patterns of the output phase voltages E and $-E$ of the conventional multilevel power conversion device.

10 FIG. 33 is a schematic view showing a switching pattern which cannot be selected.

Description of Embodiments

[0030.] Hereinafter, first to seventeenth embodiments of multilevel power conversion devices according to the
15 present invention are illustrated in detail with reference to FIG. 1 to 28.

[0031.] [First Embodiment]

FIG. 1 shows an example of a pattern in which a phase voltage 0 is outputted in a conventional art shown in
20 FIG. 29. In the conventional art shown in FIG. 29, the phase voltage 0 is outputted by using diode elements Su9 to Su12. However, these diode elements Su9 to Su12 can be omitted if it is possible to output the phase voltage 0 by other means.

25 [0032.] In this first embodiment, as shown in FIG. 2, the diode elements Su9 to Su12, Sv9 to Sv12, and Sw9 to Sw12 are omitted by connecting new (newly-added) flying capacitors FC1, FC1v, and FC1w to respective phases. With this, the number of the elements are reduced.

[0033.] Hereinafter, a circuit diagram of the multilevel power conversion device according to the first embodiment is illustrated with reference to FIG. 2. The multilevel power conversion device according to the first embodiment includes direct current voltage sources DCC1 and DCC2, and flying capacitors FC1 and FC2 which are common to the respective phases. By the phase modules provided to the respective phases, the voltage is selected, and outputted from output terminals U, V, and W. The phase module includes switching elements Su1 to Su8, and a capacitor FC1u in the U phase.

[0034.] Hereinafter, a concrete circuit diagram of the U phase is illustrated as an example. A direct current voltage source (a direct current capacitor or a direct current power source) DCC1 and DCC2 are connected in series with each other. A common connection point (neutral point) between the direct current voltage source DCC1 and DCC2 is set to a terminal 0.

[0035.] A negative electrode terminal of the flying capacitor FC1 which is common to the respective phase is connected to a negative electrode terminal of the direct current voltage source DCC1. A positive electrode terminal of the flying capacitor FC2 is connected to a positive electrode terminal of the direct current voltage source DCC2.

[0036.] The positive electrode terminal and negative electrode terminal of the flying capacitor FC1, and the positive electrode terminal and the negative electrode terminal of the flying capacitor FC2 are connected to phase modules of respective phases, as input terminals.

[0037.] One ends of the switching elements Su1 to Su4 are connected to the input terminals. The other ends of adjacent switching elements Su1 and Su2 are connected with each other. The other ends of adjacent switching elements Su3 and Su4 are connected with each other. One end of the switching elements Su5a is connected to a common connection point between the adjacent switching elements Su1 and Su2. One end of the switching element Su6a is connected to a common connection point between the adjacent switching elements Su3 and Su4. The switching elements Su7 and Su8 of the output stage are connected in series to each other in order between the other ends of the switching elements Su5a and Su6a of the final stage through the switching elements Su5b and Su6b. The capacitor FC1u is connected in parallel with the switching elements Su7 and Su8 of the output stage. The common connection point between the switching elements Su7 and Su8 of the output stage is the output terminal U. Besides, the switching elements Su5b and Su6b are connected in series with the switching elements Su5a and Su6a for the withstand voltage.

[0038.] By selectively controlling the respective switching elements of this phase module in an ON-OFF manner, it is possible to output the potential of one of the input terminals, or a potential obtained by adding or subtracting the voltage of the capacitor FC1u to or from the potential of one of the input terminals, from the output terminal U.

[0039.] Besides, the V phase and W phase are similarly constructed.

[0040.] In this circuit structure, by controlling the voltages of the direct current voltage source DCC1 and DCC2 to $2E$, and by controlling the voltages of the flying capacitor FC1 and FC2, and the capacitors FC1u, FC1v, and FC1w to E , it is possible to output phase voltages of 5 levels of $2E$, E , 0 , $-E$, $-2E$ from the output terminals U, V, and W. Besides, the reference point of the phase voltage is the terminal 0. Besides, in a case where a three-phase DC/AC conversion device is considered, the number of the used switching elements is 30, and the number of the used diode elements is 0.

[0041.] By using the capacitors FC1u, FC1v, and FC1w, it is possible to output 0 voltage from output terminals U, V, and W. Accordingly, it is possible to omit the diode elements Su9 to Su12, Sv9 to Sv12, and Sw9 to Sw12 of the conventional art. It is possible to decrease the number of the used diode elements by 12, relative to the conventional circuit diagram shown in FIG. 29.

[0042.] Accordingly, it is possible to decrease the number of the diode elements to 0 without varying the number of the switching elements, relative to the circuit configuration shown in FIG. 29.

[0043.] Typical switching patterns of the U phase is shown in a table 1 and FIG. 3. By switching by the patterns shown in the table 1, it is possible to output the phase voltages of the 5 levels of $2E$, E , 0 , $-E$, $-2E$. ○ in figure shows a switching element which is conducted.

[0044.] [Table 1]

Su4	Su6a	Su6b	Su8	Su7	Su5b	Su5a	Su1	Su3	Su2	vou
ON	ON	ON	ON	OFF	OFF	OFF	OFF	OFF	OFF	$2E$
OFF	ON	ON	ON	OFF	OFF	OFF	OFF	ON	OFF	E

OFF	ON	ON	OFF	ON	OFF	OFF	OFF	ON	OFF	0
OFF	OFF	OFF	OFF	ON	ON	ON	OFF	OFF	ON	-E
OFF	OFF	OFF	OFF	ON	ON	ON	ON	OFF	OFF	-2E

[0045.] The voltages applied to the flying capacitors are illustrated. In the patterns of (2) and (3) of FIG. 3, the flying capacitor FC2 is charged. Moreover, the capacitor
5 FC1u is charged at the pattern of (3) of FIG. 3.

Furthermore, although it is not shown in FIG. 3, there are a pattern in which the flying capacitor FC1 is charged, and a pattern in which the flying capacitor FC1 and FC2, and the capacitor FC1u is discharged. By performing these charge
10 and discharge, it is possible to control the voltages of the flying capacitors FC1 and FC2, and the flying capacitor FC1u to E while the phase voltage is outputted.

[0046.] Besides, in the first embodiment shown in FIG. 2, the maximum voltages applied to the switching elements in
15 the steady state are E. This is identical to a value of the conventional art shown in FIG. 29.

[0047.] As described above, in the multilevel power conversion device according to the first embodiment, it is possible to decrease the number of the elements.
20 Moreover, it is possible to decrease the cost and the size of the device.

[0048.] [Second Embodiment]

FIG. 4 shows a circuit configuration of a multilevel power conversion device according to a second embodiment.
25 The second embodiment has a circuit configuration which is identical to that of the first embodiment. However, voltage ratios of the direct current voltage sources DCC1 and DCC2, the flying capacitors FC1 and FC2, and the capacitors FC1u,

FC1v, and FC1w are varied. Besides, the reference point of the phase voltage is the terminal 0.

[0049.] In the second embodiment, the voltages of the direct current voltage sources DCC1 and DCC2 are
5 controlled to $2.5E$. The voltages of the flying capacitors FC1 and FC2 are controlled to E . The voltages of the capacitors FC1u, FC1v, and FC1w are controlled to $2E$.
10 With these, it is possible to output the phase voltage of 6 levels of $2.5E$, $1.5E$, $0.5E$, $-0.5E$, $-1.5E$, and $-2.5E$ from the output terminals U, V, and W. FIG. 5 shows an operation example and current paths of respective output voltages.

[0050.] In this way, by varying the voltage ratios of the direct current voltage sources DCC1 and DCC2, and the flying capacitors FC1 and FC2, and the capacitors FC1u,
15 FC1v, and FC1w, it is possible to enlarge the number of the levels relative to the first embodiment. Consequently, it is possible to increase the number of the levels relative to the first embodiment while the number of the switching elements are maintained to the same number. Accordingly,
20 it is possible to suppress the output voltage and the harmonic of the current.

[0051.] [Third Embodiment]

FIG. 6 shows a circuit configuration of a multilevel power conversion device according to the third embodiment.
25 The multilevel power conversion device of the third embodiment is provided with direct current voltage sources DCC1 to DCC4 which are common to the respective phases. By the phase modules provided to the respective phases, the voltage is selected, and outputted from the output
30 terminals U, V, and W. The phase module is provided with

the switching elements Su1 to Su8, and the capacitor FC1u in the U phase.

[0052.] Hereinafter, a concrete circuit configuration of the U phase is illustrated as an example. The direct
5 current voltage sources (the current capacitors or the direct current power sources) DCC1 to DCC4 are connected in series with each other. A common connection point (a neutral point) between the direct current voltage sources DCC2 and DCC3 is set to a terminal 0.

10 [0053.] The positive and negative electrode terminals of the direct current voltage source DCC1 and, and the positive and negative electrode terminals of the direct current voltage source DCC4 are connected, as the input terminals, to the phase modules of the respective phases.

15 [0054.] One ends of the first switching elements Su1 to Su4 are connected to the input terminals. The other ends of adjacent switching elements Su1 and Su2 are connected to each other. The other ends of adjacent switching elements Su3 and Su4 are connected to each other. One
20 ends of the switching elements Su5a and Su6a are connected to the common connection points of the adjacent switching element Su1 and Su2, and the adjacent switching element Su3 and Su4. The switching elements Su7 and Su8 of the output stage are connected in series with each
25 other in order between the other ends of the switching elements Su5a and Su6a of the final stage through the switching elements Su5b and Su6b. The capacitor FC1u is connected in parallel with the switching elements Su7 and Su8 of the output stage. The common connection point of

the switching elements Su7 and Su8 of the output stage is set to the output terminal.

[0055.] By selectively controlling the respective switching elements of this phase module in an ON-OFF manner, it is possible to output the potential of one of the input terminals, or a potential obtained by adding or subtracting the voltage of the capacitor FC1u to or from the potential of one of the input terminals, from the output terminal U.

[0056.] Besides, the V phase and W phase are similarly constructed.

[0057.] In this circuit configuration, by controlling the voltages of the direct current voltage sources DCC1 to DCC4, and by controlling the voltages of the capacitors FC1u, FC1v, and FC1w to E, it is possible to output the phase voltages of 5 levels from the output terminals U, V, and W. Besides, the reference point of the phase voltage is the terminal 0.

[0058.] In the multilevel power conversion device according to the third embodiment, it is possible to output 0 from the output terminals U, V, and W by using the flying capacitors FC1u, FC1v, and FC1w similarly to the first embodiment. Accordingly, it is possible to omit the diode elements Su9 to SU12, Sv9 to Sv12, and Sw9 to Sw12 of the conventional art (FIG. 29). It is possible to decrease the number of the used diode elements by 12, relative to the conventional circuit configuration.

[0059.] Besides, the maximum voltages applied to the switching elements in the steady state are E similarly to the first embodiment and the second embodiment.

[0060.] Moreover, it is possible to enlarge the number of the levels by varying the voltage ratio similarly to the second embodiment. For example, in a case where the voltages of the direct current power sources DCC1 and DCC4 are controlled to E , the voltages of DCC2 and DCC3 are controlled to $1.5E$, and the voltages of the capacitors $Fc1u$, $FC1v$, $FC1w$ are controlled to $2E$, it is possible to output the phase voltages of 6 levels of $2.5E$, $1.5E$, $0.5E$, $-0.5E$, $-1.5E$, $-2.5E$.

10 [0061.] [Fourth Embodiment]

FIG. 7 shows a circuit configuration of a multilevel power conversion device according to a fourth embodiment.

[0062.] Hereinafter, a circuit configuration of the multilevel power conversion device according to the fourth embodiment is illustrated. The multilevel power conversion device includes direct current voltage sources DCC1 and DCC2, and the flying capacitors $FC1$ and $FC2$ which are in common to the respective phases. The phase modules provided to the respective phases selects the voltage, and outputs from the output terminals U , V , and W . The phase modules in the U phase includes switching elements $Su1$ to $Su8$, and the capacitor $FC1u$.

[0063.] Hereinafter, a concrete circuit configuration of the U phase is illustrated as an example. The direct current voltage sources (the direct current capacitor or the direct current power source) DCC1 and DCC2 are connected in series with each other. The common connection point (the neutral point) of these direct current voltage sources DCC1 and DCC2 is set to the terminal 0 .

[0064.] The positive electrode terminal of the flying capacitor FC1 and the negative electrode terminal of the flying capacitor FC2 are connected to the common connection point between the direct current voltage source DCC1 and DCC2.

[0065.] The negative electrode terminal of the direct current voltage source DCC1, the negative electrode terminal of the flying capacitor FC1, the positive electrode terminal of the direct current voltage source DCC2, and the positive electrode terminal of the flying capacitor FC2 are connected, as the input terminals, to the phase modules.

[0066.] One ends of the first switching terminals Su1 to Su4 are connected to the input terminals. The other ends of the adjacent switching elements Su1 and Su2 are connected to each other. The other ends of the adjacent switching elements Su3 and Su4 are connected with each other. The one ends of the switching elements Su5a and Su6a are connected to the common connection points between the adjacent switching elements Su1 and Su2, and the connection points between the adjacent switching elements Su3 and Su4. The switching elements Su7 and Su8 of the output stage are connected in series in order between the other ends of the switching elements Su5a and Su6a of the final stage through the switching elements Su5b and Su6b. The capacitor FC1u is connected in parallel with the switching elements Su7 and Su8 of the output stage. The common connection point of the switching elements Su7 and Su8 of the output stage is set to the output terminal U.

[0067.] By selectively controlling the respective switching elements of this phase module in the ON-OFF manner, it is possible to output the potential of one of the input terminals, or the potential obtained by adding or subtracting the voltage of the capacitor FC1u to or from the potential of one of the terminals, from the output terminal U.

[0068.] Besides, the V phase and the W phase have identical configuration.

10 [0069.] The direct current voltage sources DCC1 and DCC2 are controlled to $2E$. The flying capacitors FC1 and FC2 are controlled to E . The capacitors FC1u, FC1v, and FC1w are controlled to E . With these, it is possible to output the phase voltages of 5 levels of $2E$, E , 0 , $-E$, and $-2E$. Besides the reference point of the phase voltage is set to the terminal 0 .

[0070.] In the multilevel power conversion device according to the fourth embodiment, it is possible to output 0 from the output terminals U, V, and W by using the capacitors FC1u, FC1v, and FC1w, similarly to the first embodiment. Accordingly, it is possible to omit the diode elements Su9 to Su12, Sv9 to Sv12, and Sw9 to Sw12 of the conventional art (FIG. 29). It is possible to decrease the number of the used diode elements by 12 relative to the conventional circuit configuration of FIG. 29.

25 [0071.] Besides, the maximum voltages applied to the switching elements in the steady state are E similarly to the first and second embodiments.

[0072.] Moreover, it is possible to enlarge the number of the levels by varying the voltage ratio similarly to the

30

second embodiment. For example, in a case where the voltages of the direct current voltage sources DCC1 and DCC2 are controlled to $2.5E$, the voltages of the flying capacitors FC1 and FC2 are controlled to $1.5E$, and the
5 voltages of the capacitors FC1u, FC1v, FC1w are controlled to $2E$, it is possible to output the phase voltages of 6 levels of $2.5E$, $1.5E$, $0.5E$, $-0.5E$, $-1.5E$, and $-2.5E$.

[0073.] [Fifth Embodiment]

FIG. 8 shows a circuit configuration of a multilevel
10 power conversion device according to a fifth embodiment.
[0074.] Hereinafter, the circuit configuration of the multilevel power conversion device according to the fifth embodiment is illustrated. In the multilevel power conversion device according to the fifth embodiment, the
15 flying capacitors FC1 and FC2 which are common to the respective phases in the multilevel power conversion device according to the first embodiment are set, respectively, to two stages. That is, the multilevel power conversion device includes the direct current voltage sources DCC1 and DCC2,
20 and the flying capacitors FC1, FC2, FC3, and FC4 which are common to the respective phases. By the phase modules provided to the respective phase modules, the voltage is selected, and outputted from the output terminals U, V, and W. The phase module includes the switching elements
25 Su1 to Su12, and the flying capacitor FC1u in the U phase.
[0075.] Hereinafter, the concrete circuit configuration in the U phase is illustrated as the example. The direct current voltage sources (the direct current capacitor or the direct current power source) DCC1 and DCC2 are connected
30 in series with each other. The common connection point

(the neutral point) between the direct current voltage sources DCC1 and DCC2 is set to the terminal 0.

[0076.] The negative electrode terminal of the flying capacitor FC1 is connected to the negative electrode terminal of the direct current voltage source DCC1. The flying capacitor FC2 is connected in series with the flying capacitor FC1.

[0077.] The positive electrode terminal of the flying capacitor FC4 is connected to the positive electrode terminal of the direct current voltage source DCC2. The flying capacitor FC3 is connected in series with the flying capacitor FC4.

[0078.] The positive electrode terminal and the negative electrode terminal of the flying capacitor FC1, the positive electrode terminal of the flying capacitor FC2, the negative electrode terminal of the flying capacitor FC3, and the positive electrode terminal and the negative electrode terminal of the flying capacitor FC4 are connected as the input terminals to the phase modules.

[0079.] One ends of the switching elements Su1 to Su4, Su6, and Su7 are connected to the input terminals. The other ends of the adjacent switching elements Su1 and Su2 are connected to each other. The other ends of the adjacent switching elements Su3 and Su4 are connected to each other. The one ends of the switching elements Su5 and Su8 are connected to the common connection point of the adjacent switching elements Su1 and Su2, and the common connection point of the adjacent switching elements Su3 and Su4. The other ends of the adjacent switching elements Su5 and Su6 are connected to each

other. The other ends of the adjacent switching elements Su7 and Su8 are connected to each other. The one ends of the switching elements Su9a and Su10a are connected to the common connection point of the adjacent switching elements Su5 and Su6, and the common connection point of the adjacent switching elements Su7 and Su8. The switching elements Su11 and Su12 of the output stage are connected in series with each other in order between the switching elements Su9a and Su10a of the final stage through the switching elements Su9b and Su10b. The capacitor FC1u is connected in parallel with the switching elements Su11 and Su12 of the output stage. The common connection point between the switching elements Su11 and Su12 of the output stage is the output terminal U.

5

10

15 [0080.] By selectively controlling the respective switching elements of this phase module in the ON-OFF manner, it is possible to output the potential of one of the input terminals, or the potential obtained by adding or subtracting the voltage of the capacitor FC1u to or from the potential of one of the input terminals, from the output terminal U.

20

[0081.] Besides, the V phase and the W phase have the identical configuration.

[0082.] In a case where the voltages of the direct current voltage sources DCC1 and DCC2 are controlled to 3.5E, the voltages of the flying capacitors FC1, FC2, FC3, and FC4 are controlled to E, and the voltages of the capacitors FC1u, FC1v, and FC1w are controlled to 2E, it is possible to output the phase voltages of the 8 levels of

25

30 3.5E, 2.5E, 1.5E, 0.5E, -0.5E, -1.5E, -2.5E, and -3.5E from

the output terminals U, V, and W. Besides, the reference point of the phase voltage is the terminal 0.

[0083.] A table 2 shows typical switching patterns in the fifth embodiment.

5 [0084.] [Table 2]

Su4	Su3	Su8	Su10a	Su10b	Su12	Su11	Su9b	Su9a	Su5	Su1	Su7	Su6	Su2	U
ON	OFF	ON	ON	ON	ON	OFF	OFF	OFF	OFF	OFF	OFF	OFF	OFF	3.5E
OFF	ON	ON	ON	ON	ON	OFF	OFF	OFF	OFF	OFF	OFF	OFF	OFF	2.5E
OFF	OFF	OFF	ON	ON	ON	OFF	OFF	OFF	OFF	OFF	ON	OFF	OFF	1.5E
OFF	ON	ON	ON	ON	OFF	ON	OFF	OFF	OFF	OFF	OFF	OFF	OFF	0.5E
OFF	OFF	OFF	ON	ON	OFF	ON	OFF	OFF	OFF	OFF	ON	OFF	OFF	-0.5E
OFF	OFF	OFF	OFF	OFF	OFF	ON	ON	ON	OFF	OFF	OFF	ON	OFF	-1.5E
OFF	OFF	OFF	OFF	OFF	OFF	ON	ON	ON	ON	OFF	OFF	OFF	ON	-2.5E
OFF	OFF	OFF	OFF	OFF	OFF	ON	ON	ON	ON	ON	OFF	OFF	OFF	-3.5E

[0085.] Besides, the maximum voltages applied to the switching elements in the steady state is E similarly to the first and second embodiments.

10 [0086.] In this fifth embodiment, the number of the levels of the phase voltages which can be outputted is increased. Accordingly, the number of the necessary switching elements is increased. However, the fifth embodiment has a configuration in which the flying
15 capacitors which are common to the respective phases in the first embodiment are constructed as the multistage. Accordingly, it is possible to decrease the number of the diode elements without varying the number of the switching elements, relative to the conventional circuit
20 system which has the same number of the phase voltage levels. Moreover, the number of the levels is increased. Accordingly, it is possible to decrease the harmonic (higher harmonic wave) of the output voltage and the current, and to decrease the size of the harmonic
25 suppression filter.

[0087.] [Sixth Embodiment]

FIG. 9 shows a circuit configuration of a multilevel power conversion device according to the sixth embodiment. [0088.] Hereinafter, the circuit configuration of the multilevel power conversion device according to a sixth embodiment is illustrated. There are provided the direct current voltage sources DCC1 and DCC2, and the flying capacitors FC1, FC2, FC3, and FC4 which are common to the respective phases. By the phase modules provided to the respective phases, the voltages are selected, and outputted from the output terminals U, V, and W. The phase module in the U phase includes the switching elements Su1 to Su12, and the capacitor FC1u.

[0089.] Hereinafter, the concrete circuit configuration of the U phase is illustrated as an example. The direct current voltage sources (the direct current capacitors or the direct current power sources) DCC1 and DCC2 are connected in series with each other. The common connection point (the neutral point) of these direct current voltage sources DCC1 and DCC2 is set to a terminal 0.

[0090.] The negative electrode terminal of the flying capacitor FC1 is connected to the negative electrode terminal of the direct current voltage source DCC1. The positive electrode terminal of the flying capacitor FC2 and the negative electrode terminal of the flying capacitor FC3 are connected to the common connection point between the direct current voltage source DCC1 and the direct current voltage source DCC2. The positive electrode terminal of the flying capacitor FC4 is connected to the positive electrode terminal of the direct current voltage source DCC2.

[0091.] The positive electrode terminal and the negative electrode terminal of the flying capacitor FC1, the negative electrode terminal of the flying capacitor FC2, the positive electrode terminal of the flying capacitor FC3, and the
5 positive electrode terminal and the negative electrode terminal of the flying capacitor FC4 are connected to the phase modules as the input terminals.

[0092.] One ends of the switching elements Su1 to Su4, Su6, and Su7 are connected to the input terminals. The
10 other ends of the adjacent switching elements Su1 and Su2 are connected with each other. The other ends of the adjacent switching elements Su3 and Su4 are connected to each other. The one end of the switching element Su5 is connected to the common connection point between the
15 adjacent switching elements Su1 and Su2 . The one end of the switching element Su8 is connected to the common connection point between the adjacent switching elements Su3 and Su4. The other ends of the adjacent switching elements Su5 and Su6 are connected to each other. The
20 other ends of the adjacent switching elements Su7 and Su8 are connected to each other. The one end of the switching element Su9a is connected to the common connection point between the adjacent switching elements Su5 and Su6. The one end of the switching element Su10a is connected
25 to the common connection point between the adjacent switching elements Su7 and Su8. The switching elements Su11 and Su12 of the output stage are connected in series with each other in order between the other ends of the switching elements Su9a and Su10a of the final stage
30 through the switching elements Su9b and Su10b. The

capacitor FC1u is connected in parallel with the switching elements Su11 and Su12 of the output stage. The common connection point between the switching elements Su11 and Su12 of the output stages is set to the output terminal U.

5 [0093.] By selectively controlling the respective switching elements of this phase module in an ON-OFF manner, it is possible to output the potential of one of the input terminals, or a potential obtained by adding or subtracting the voltage of the capacitor FC1u to or from the
10 potential of one of the input terminals, from the output terminal U.

[0094.] Besides, the V phase and W phase are similarly constructed.

[0095.] By controlling the voltages of the direct current
15 voltage sources DCC1 and DCC2 to $3.5E$, controlling the voltages of the flying capacitors FC1 and FC4 to E , controlling the voltages FC2 and FC3 to $1.5E$, and controlling the voltages the capacitors FC1u, FC1v, and FC1w to $2E$, it is possible to output the phase voltages of 8
20 levels of $3.5E$, $2.5E$, $1.5E$, $0.5E$, $-0.5E$, $-1.5E$, $-2.5E$, and $-3.5E$ from the output terminals U, V, and W. Besides, the reference point of the phase voltage is the terminal 0.

[0096.] In this sixth embodiment, the number of the levels which can be outputted is increased. Accordingly,
25 the number of the necessary switching elements is increased. However, the sixth embodiment has a configuration in which the flying capacitors which are common to the respective phases in the first embodiment are varied to the multistage. Accordingly, it is similarly
30 possible to decrease the number of the diode elements

without varying the number of the switching elements,
relative to a case in which the conventional configuration of
FIG. 29 is enlarged to the same number of the levels,
Moreover, the number of the levels is increased.

5 Accordingly, it is possible to suppress the output voltage
and the current harmonics (higher harmonic wave), and to
decrease the size of the harmonics suppression filter,
relative to the first to third embodiments.

[0097.] [Seventh Embodiment]

10 FIG. 10 shows a circuit configuration of a multilevel
power conversion device according to a seventh
embodiment.

[0098.] Hereinafter, the circuit configuration of the
multilevel power conversion device according to this
15 seventh embodiment is illustrated. In the multilevel power
conversion device according to the seventh embodiment,
the flying capacitors FC1 and FC32 which are common to
the respective phases in the multilevel power conversion
device according to the first embodiment is varied to a four
20 stages of FC1, FC2, FC3, and FC4. That is, the multilevel
power conversion device includes the direct current voltage
sources DCC1 and DCC2, and the flying capacitors FC1, FC2,
FC3, and FC4 which are common to the respective phase.
By the phase modules provided to the respective phases,
25 the voltages are selected, and outputted from the output
terminals U, V, and W. The phase module of U phase
includes the switching elements Su1 to Su16, and the
capacitors FC1u.

[0099.] Hereinafter, a concrete circuit configuration of U
30 phase is illustrated as an example. The direct current

voltage sources (the direct current capacitors or the direct current power sources) DCC1 and DCC2 are connected in series with each other. The common connection point (the neutral point) between these direct current voltage sources DCC1 and DCC2 is set to the terminal 0.

[0100.] The negative electrode of the flying capacitor FC1 is connected to the negative electrode terminal of the direct current voltage source DCC1. The positive electrode terminal of the flying capacitor FC2 is connected to the positive electrode terminal of the direct current voltage source DCC1. The negative electrode terminal of the flying capacitor FC3 is connected to the negative electrode terminal of the direct current voltage source DCC2. The positive electrode terminal of the flying capacitor FC4 is connected to the positive electrode terminal of the direct current voltage source DCC2.

[0101.] The phase modules uses the positive electrode terminals and the negative electrode terminals of the flying capacitors FC1 to FC4 as the input terminals.

[0102.] The one ends of the first switching elements Su1 to Su8 are connected to the respective input terminals. The other ends of the adjacent switching elements Su1 and Su2 are connected with each other. The other ends of the adjacent switching elements Su3 and Su4 are connected with each other. The other ends of the adjacent switching elements Su5 and Su6 are connected with each other. The other ends of the adjacent switching elements Su7 and Su8 are connected with each other. The one ends of the switching elements Su9 to Su12 are connected to the common connection point of the adjacent switching

elements Su1 and Su2, the adjacent switching elements Su3 and Su4, the adjacent switching elements Su5 and Su6, and the adjacent switching elements Su7 and Su8. The other ends of the adjacent switching elements Su9 and Su10 are connected with each other. The other ends of the adjacent switching elements Su11 and Su12 are connected with each other. The switching elements Su13 and Su14 are connected with the common connection point between the adjacent switching elements Su9 and Su10, and the common connection point between the adjacent switching elements Su11 and Su12. The switching elements Su15 and Su16 of the output stage are connected in series with in order between the other ends of the switching elements Su13 and Su14 of the final stage. The capacitor FC1u is connected in parallel with the switching elements Su15 and Su16 of the output stage. The common connection point between the switching elements Su15 and Su16 of the output stage is set to the output terminal U.

[0103.] By selectively controlling the respective switching elements of this phase module in the ON-OFF manner, it is possible to output the potential of one of the input terminals, or the potential obtained by adding or subtracting the voltage of the capacitor FC1u to or from the potential of the one of the input terminals, from the output terminal U.

[0104.] Besides, the V phase and the W phase are similarly constituted.

[0105.] By controlling the voltages of the direct current voltage sources DCC1 and DCC2 to 4E, controlling the voltages of the flying capacitors FC1, FC2, FC3, and FC4 to

E, and controlling the voltages of the capacitors FC1u, FC1v, and FC1w to E, it is possible to output the phase voltages of 9 levels of 4E, 3E, 2E, 1E, 0, -1E, -2E, -3E, and -4E from the output terminals U, V, and W. Besides, the reference
5 point of the phase voltage is set to 0.

[0106.] A table 3 shows a typical switching pattern in this seventh embodiment.

10 [0107.] [Table 3]

Su8	Su12	Su14	Su16	Su15	Su13	Su9	Su1	Su7	Su11	Su6	Su5	Su4	Su3	Su10	Su2	U
ON	ON	ON	ON	OFF	OFF	OFF	OFF	OFF	OFF	OFF	OFF	OFF	OFF	OFF	OFF	4E
OFF	ON	ON	ON	OFF	OFF	OFF	OFF	ON	OFF	OFF	OFF	OFF	OFF	OFF	OFF	3E
OFF	ON	ON	OFF	ON	OFF	OFF	OFF	ON	OFF	OFF	OFF	OFF	OFF	OFF	OFF	2E
OFF	OFF	ON	ON	OFF	OFF	OFF	OFF	OFF	ON	ON	OFF	OFF	OFF	OFF	OFF	E
OFF	OFF	ON	ON	OFF	OFF	OFF	OFF	OFF	ON	OFF	ON	OFF	OFF	OFF	OFF	0
OFF	OFF	OFF	OFF	ON	ON	OFF	OFF	OFF	OFF	OFF	OFF	OFF	ON	ON	OFF	-E
OFF	OFF	OFF	ON	OFF	ON	ON	OFF	OFF	OFF	OFF	OFF	OFF	OFF	OFF	ON	-2E
OFF	OFF	OFF	OFF	ON	ON	ON	OFF	OFF	OFF	OFF	OFF	OFF	OFF	OFF	ON	-3E
OFF	OFF	OFF	OFF	ON	ON	ON	ON	OFF	OFF	OFF	OFF	OFF	OFF	OFF	OFF	-4E

[0108.] In the seventh embodiment, the number of the levels which can be outputted is increased. Accordingly, the number of the necessary switching elements are
15 increased. However, the seventh embodiment has a configuration in which the flying capacitors which are common to the respective phases in the first embodiment are varied to the multistage. Accordingly, it is similarly possible to decrease the number of the diode elements
20 without varying the number of the switching elements, relative to a case in which FIG. 29 of the conventional configuration is enlarged to the same number of the levels. Moreover, the number of the levels is increased.
Accordingly, it is possible to suppress the output voltage
25 and the current harmonics, and to decrease the size of the

harmonic suppression filter, relative to the first to third embodiments.

[0109.] [Eighth Embodiment]

FIG. 11 shows a circuit configuration of a multilevel
5 power conversion device according to an eighth
embodiment.

[0110.] Hereinafter, the circuit configuration of the
multilevel power conversion device according to the eighth
embodiment is illustrated. In the multilevel power
10 conversion device according to the eighth embodiment,
switching elements Su17, Su18, Su19, and Su20 are
disposed between the switching elements Su9 and Su10,
and Su11 and Su12 in the multilevel power conversion
device according to the seventh embodiment. A capacitor
15 FC3u is connected in parallel with the switching elements
Su17 and Su18. A capacitor FC2u is connected in parallel
with the switching elements Su19 and Su20. The one ends
of the switching elements Su13 and Su14 of the next stage
are connected to the common connection point between the
20 switching elements Su17 and Su18, and the common
connection point between the switching elements Su19 and
Su20. That is, in the eighth embodiment, there is provided
a parallel connection circuit of the switching element and
the capacitor, in addition to the switching element of the
25 final stage.

[0111.] In the phase module, by selectively controlling
the respective switching elements in the ON-OFF manner,
the potential of one of the input terminals, or the potential
obtained by adding or subtracting the voltages of the

capacitors FC1u, FC2u, and FC3u to or from the potential of one of the input terminals is outputted.

[0112.] Besides, the V phase and the W phase are similarly constituted.

5 [0113.] By controlling the voltages of the direct current voltage sources DCC1 and DCC2 to 5E, controlling the voltages of the flying capacitors FC1, FC2, FC3, and FC4 to E, and controlling the voltages of the capacitors FC1u, FC2u, FC3u, FC1v, FC2v, FC3v, FC1w, FC2w, and FC3w to E, it is
10 possible to output the phase voltages of 11 levels of 5E, 4E, 3E, 2E, E, 0, -E, -2E, -3E, -4E, and -5E. Besides, the reference point of the phase voltage is set to the terminal 0. A table 4 shows a typical switching pattern of the U phase.

[0114.] [Table 4]

Su8	Su12	Su20	Su14	Su16	Su15	Su13	Su17	Su9	Su1	Su7	Su19	Su11	Su6	Su5	Su4	Su3	Su10	Su18	Su2	U
ON	ON	ON	ON	ON	OFF	OFF	OFF	OFF	OFF	OFF	OFF	OFF	OFF	OFF	OFF	OFF	OFF	OFF	OFF	5E
OFF	ON	ON	ON	ON	OFF	OFF	OFF	OFF	OFF	ON	OFF	OFF	OFF	OFF	OFF	OFF	OFF	OFF	OFF	4E
OFF	ON	OFF	ON	ON	OFF	OFF	OFF	OFF	OFF	ON	ON	OFF	OFF	OFF	OFF	OFF	OFF	OFF	OFF	3E
OFF	OFF	ON	ON	ON	OFF	OFF	OFF	OFF	OFF	OFF	OFF	ON	ON	OFF	OFF	OFF	OFF	OFF	OFF	2E
OFF	OFF	OFF	ON	ON	OFF	OFF	OFF	OFF	OFF	OFF	ON	ON	ON	OFF	OFF	OFF	OFF	OFF	OFF	E
OFF	OFF	OFF	ON	OFF	OFF	OFF	OFF	OFF	OFF	OFF	ON	ON	OFF	ON	OFF	OFF	OFF	OFF	OFF	0
OFF	OFF	OFF	OFF	OFF	ON	ON	OFF	OFF	OFF	OFF	OFF	OFF	OFF	OFF	OFF	ON	ON	ON	OFF	-E
OFF	OFF	OFF	OFF	OFF	ON	ON	ON	OFF	OFF	OFF	OFF	OFF	OFF	OFF	OFF	ON	ON	OFF	OFF	-2E
OFF	OFF	OFF	OFF	OFF	ON	ON	OFF	ON	OFF	OFF	OFF	OFF	OFF	OFF	OFF	OFF	OFF	OFF	ON	-3E
OFF	OFF	OFF	OFF	OFF	ON	ON	ON	ON	OFF	OFF	OFF	OFF	OFF	OFF	OFF	OFF	OFF	OFF	ON	-4E
OFF	OFF	OFF	OFF	OFF	ON	ON	ON	ON	ON	OFF	OFF	OFF	OFF	OFF	OFF	OFF	OFF	OFF	OFF	-5E

15

[0115.] In the eighth embodiment, the number of the diode element is 0, similarly to the seventh embodiment. Moreover, the number of the levels are increased.

20 Accordingly, relative to the seventh embodiment, it is possible to suppress the output voltage and the current higher harmonics wave, and to decrease the size of the higher harmonics wave filter.

[0116.] [Ninth Embodiment]

FIG. 12 shows a multilevel power conversion device according to a ninth embodiment.

[0117.] FIG. 12 is a multilevel power conversion device in which a circuit of one phase of the multilevel power conversion device according to the first embodiment is enlarged to M phase and N stage. The stage number N (N=1, 2, 3 . . .) is the number of the direct connections of the direct current power sources which are connected in series with each other. The direct current voltage sources DCC1 to DCCN are connected in series with each other.

[0118.] The negative electrode terminals of the flying capacitors FC1, FC3, . . ., and FC2N-1 are connected, respectively, to the negative electrode terminals of this direct current voltage sources DCC1 to DCCN. The positive electrode terminals of the flying capacitors FC2, FC4, . . ., and FC2N are connected to the positive electrode terminals of the direct current voltage sources DCC1 to DCCN.

[0119.] FIG.13 shows an example of a configuration of a phase module used in a multilevel power conversion device according to this ninth embodiment. As shown in FIGS. 13(a) to (d), in all of (a) to (d), flying capacitors FCM0 of the respective phases are provided in parallel to the switching elements of the output stage. FIGS. 13(a) and (b) show an example of configuration in which the number of the input terminals of the phase module is a multiple of 4. FIGS. 13(c) and (d) shows an example of a configuration in which the number of the input terminals of the phase module is an even number except for the multiple of 4. A difference between FIG. 13(a) and FIG. 13(b) and a difference between FIG. 13(c) and FIG. 13(d)

is to have the capacitors FCM1 to FCMN except for the capacitor FCM0 connected in parallel with the switching elements of the output stage.

[0120.] As shown in FIG. 12, the circuit of the ninth embodiment has the $4N$ of the number of the input terminals of the phase modules which is the multiple of 4. Accordingly, FIG. 13(a) or FIG. 13(b) is selected. The input terminals of the phase module are connected to the positive or negative electrode terminals of the flying capacitors FC1 to FC which are common to the respective phases.

[0121.] Moreover, the number of the level of the phase voltage is dependent on the sorts (kinds) of the phase modules which are applied, and the applying voltages of the direct current voltage sources DCC1 to DCCN, the flying capacitors FC1 to FC2N which are common to the respective phases, and the applying voltages of the respective capacitors FCM0, FCM1 to FCMN within the phase module. In a case where the phase module of FIG. 13(b) is used, by controlling the voltages of the direct current voltage sources DCC1 to DCCN of FIG. 12 to $4E$, and controlling the flying capacitors FC1 to FC2N and the flying capacitors FCM0 of the phase module of FIG. 13(b) to E , the number of the levels of the phase voltages becomes $(4N+1)$.

[0122.] The first embodiment is a case in which $N=1$ and $N=3$ are set in the ninth embodiment, and the phase module of FIG. 13(b) is applied. The seventh embodiment is a case in which $N=2$ and $M=3$ are set in the ninth embodiment, and the phase module is applied, the voltages of the direct current voltage sources DCC1 to DCCN of FIG

12 are controlled to $4E$, the voltages of the flying capacitors $FC1$ to $FC2N$ of FIG. 12, and the voltage of the capacitor $FCM0$ of the phase module is controlled to E . The second embodiment is a case where $N=1$ and $M=3$ is set in the ninth embodiment, where the phase module of FIG. 13(b) is applied, and where the voltages of the direct current voltage sources $DCC1$ to $DCCN$ are controlled to $5E$, the voltages of the flying capacitors $FC1$ to $FC2N$ are controlled to E , and the voltage of the capacitor $FCM0$ of the phase module of FIG. 13 is controlled to $2E$. The eighth embodiment is a case where $N=2$ and $M=3$ are set in the eighth embodiment, where the phase module of FIG. 13(a) is applied, and where the voltages of the direct current voltage sources $DCC1$ to $DCCN$ of FIG. 12 are controlled to $5E$, and the voltages of the capacitors $FCM0$, $FCM1$ to $FCMN$ are controlled to E .

[0123.] Besides, the respective direct current sources $DCC1$ to $DCCN$ may be divided.

[0124.] [Tenth Embodiment]

FIG. 14 shows a multilevel power conversion device according to a tenth embodiment.

[0125.] The multilevel power conversion device according to the tenth embodiment is different in the connection configuration of the flying capacitors $FC1$ to $FC2N$ from the ninth embodiment.

[0126.] $2N$ is the number of the direct connections in which the direct current voltage source are connected with each other. The direct current voltage sources $DCC1$ to $DCC2N$ are connected in series. Moreover, the number of the flying capacitors $FC1$ to $FC2N$ is $2N$. The positive

electrode terminals of the first flying capacitors FC1, FC3, . . . , and FC_{n-1} are connected to the common connection points between the respective direct current voltage sources DCC_n (n: odd number) and DCC_{n+1} (n+1: even number). The negative electrode terminals of the flying capacitors FC2, FC4, . . . , and FC_{2N} are connected to the common connection points between the respective direct current voltage sources DCC_n (n: odd number) and DCC_{n+1} (n+1: even number).

[0127.] Accordingly, in the tenth embodiment, the number of the direct connection of the direct current voltage sources DCC1 to DCC_{2N} and the number of the flying capacitors FCC1 to FCC_{2N} which are common to the respective phases are the even number. Besides, $M \geq 2$ is set.

[0128.] The phase module uses, as the input terminals, the negative electrode terminals of the direct current voltage sources DCC_n (n: odd number), the negative electrode terminals of the flying capacitors FC_n, the positive electrode terminals of the direct current voltage sources DCC_{n+1}, and the positive electrode terminals of the flying capacitors FC_{n+1}.

[0129.] The number of the levels of the phase voltage is dependent on the sort (kind) of the applied phase module, and the applying voltages of the direct current voltage sources DCC1 to DCC_N, the flying capacitors FC1 to FC_{2N} which are common to the respective phases, and the capacitors of the respective phases within the phase module. By controlling the voltages of the direct current voltage sources DCC1 to DCC_{2N} of FIG. 14 to 2E,

controlling the voltages of the flying capacitors FC1 to FC2N which are common to the respective phases, and the voltage of the capacitor FCM0 of the phase module which are shown in FIG. 13(b) to E, the number of the levels of the phase voltages becomes $(4N+1)$.

[0130.] The forth embodiment is a case where $N=1$ and $M=3$ are set in the ninth embodiment, where the phase module of FIG 13(b) is selected, where the voltages of the direct current voltage sources DCC1 to DCCN of FIG. 14 are controlled to $2E$, where the voltage of the flying capacitors FC1 to FC2N are controlled to E , and where the voltage of the capacitor FCM0 of the phase module of FIG. 13 is controlled to E .

[0131.] Besides, the direct current voltage sources DCC1 to DCC2N may be respectively divided.

[0132.] [Eleventh Embodiment]

FIG. 15 shows a multilevel power conversion device according to an eleventh embodiment.

[0133.] The direct current voltage sources DCC1 and DCC2 are connected in series with each other.

[0134.] The connection configuration of the flying capacitors FC1 to FC4N are different from the ninth embodiment and the tenth embodiment. The negative electrode terminals of the flying capacitors FC1 to FCN are connected in order in series with the negative electrode terminal of the direct current power source DCC1. The positive electrode terminals of the flying capacitors FC2N to FCN+1 are connected in order in series with the common connection point between the direct current voltage sources DCC1 and DCC2. The negative electrode terminals of the

flying capacitors FC2N+1 to FC3N are connected in this order in series with the common connection point between the direct current voltage sources DCC1 and DCC2. The positive electrode terminals of the flying capacitors FC4N to
5 FC3N+1 are connected in order in series with the positive electrode terminal of the direct current voltage source DCC2.

[0135.] The phase module uses, as the input terminals, the positive electrode terminal and the negative electrode
10 terminal of the flying capacitor FC1, the positive electrode terminals of the flying capacitors FC2 to FCN, the negative electrode terminals of the flying capacitors FCN+1 to FC2N, the positive electrode terminals of the flying capacitors FC2N+1 to FC3N, the negative electrode terminals of the
15 flying capacitors FC3N+1 to FC4N-1, and the positive electrode terminal and the negative electrode terminal of the flying capacitor FC4N.

[0136.] 4N is the number of the flying capacitors. Accordingly, the number of the flying capacitors FC1 to
20 FC4N is multiples of 4 in the first embodiment. Besides, $M \geq 2$ is set.

[0137.] In the eleventh embodiment, 4N+2 of the number of the input terminals of the phase module is the even number which is not the multiples of 4. The phase
25 module shown in FIGS. 13(c) and (d) are applied.

[0138.] Moreover, the number of the levels of the output phase voltages is dependent on the sorts (kinds) of the applied phase module, the applying voltages of the direct current power sources DCC1 to DCC2, the flying capacitors
30 FC1 to FC4N which are common to the respective phases,

and the capacitors FCM0, FCM1 to FCMN within the phase modules.

The sixth embodiment is an example in which $N=1$ and $M=3$ are set in this eleventh embodiment, in which the phase module of FIG. 13(d) is used, in which the voltages of the direct current voltage sources DCC1 to DCCN is controlled to $3.5E$, in which the voltages of the flying capacitors FC1 and FC4N are controlled to E , in which the voltages of the flying capacitors FC2N and FC2N+1 are controlled to $1.5 E$, and in which the voltages of the capacitor FCM0 of the phase module of FIG. 13 is controlled to $2E$.

[0139.] Besides, the direct current voltage sources DCC1 to DCC2 may be respectively divided.

15 [0140.] [Twelfth Embodiment]

FIG. 16 shows a multilevel power conversion device according to a twelfth embodiment.

[0141.] The direct current voltage sources DCC1 and DCC2 are connected in series with each other.

20 [0142.] The twelfth embodiment is a M phase N stage multilevel conversion device in which the flying capacitors FC1 to FC2N are common to the M phase. This is different from the ninth to eleventh embodiments in the connection configuration of the flying capacitors FC1 to FC2N.

25 [0143.] The negative electrode terminals of the flying capacitors FC1 to FCN are connected in order in series with the negative electrode terminal of the direct current voltage source DCC1. The positive terminals of the flying capacitors FC2N to FCN+1 are connected in order in series

with the positive electrode terminal of the direct current voltage source DCC2.

[0144.] 2N is the number of the flying capacitors FC1 to FC2N. Accordingly, in this structure, the number of the flying capacitors FC1 to FC2N is the even number. Besides, $M \geq 2$ is set.

[0145.] The phase module uses, as the input terminals, the positive electrode terminal and the negative electrode terminal of the flying capacitor FC1, the positive electrode terminals of the flying capacitors FC2 to FCN, the negative electrode terminals of the flying capacitors FCN+1 to FC2N-1, and the positive electrode terminal and the negative electrode terminal of the flying capacitors FC2N.

[0146.] In this twelfth embodiment, there is a case where the number $(2N+2)$ of the input terminals of the phase module does not become the multiples of 4. In a case where the number $(2N+2)$ of the input terminals of the phase module is the multiples of 4, the phase module shown in FIG. 13(a) and (b) are applied. In a case where the number $(2N+2)$ is the even number which is not the multiples of 4, the phase modules which corresponds to the number of the input terminals as shown in FIGS. 13 (c) and (d) is applied.

[0147.] Moreover, the number of the levels of the phase voltage is dependent on the sort (kind) of the applied phase module, and the applying voltages of the direct current voltage sources DCC1 to DCC2, the flying capacitors FC1 to FC4N, and the capacitors within the phase module.

[0148.] The fifth embodiment is an example in which the $N=2$ and $M=3$ are set in FIG. 16, in which the phase module of FIG. 13(d) is used, in which the voltages of the direct current voltage sources DCC1 to DCCN are controlled to $3.5E$, in which the voltages of the flying capacitors FC1 to FC2N is controlled to E , and in which the voltage of the capacitor FCM0 of the phase module of FIG. 13 is controlled to $2E$.

[0149.] Besides, the direct current voltage sources DCC1 to DCC2 may be respectively divided. Besides, the direct current voltage sources DCC1 and DCC2 may be integrated to one direct current voltage source.

[0150.] [Thirteenth Embodiment]

FIG. 17 shows a multilevel power conversion device according to a thirteenth embodiment.

[0151.] FIG. 17 is a multilevel conversion device ($N=1, 2, 3, \dots$) in which the direct current voltage sources which are common in the M phase are divided to $(2N+2)$ number. That is, the direct current voltage sources DCC1 to DCC $2N+2$ are connected in series with each other.

[0152.] The input terminals of the phase modules are connected to the direct current voltage sources DCC1 to DCC $2N+2$. Specifically, the positive electrode terminals and the negative electrode terminals of the direct current voltage sources DCC1 and DCC $2N+2$, the positive electrode terminals of the direct current voltage source DCC2 to DCCN, and the negative electrode terminals of the direct current voltage sources DCCN+3 to DCC $2N+1$ are used as the input terminals. That is, the only connection point between the direct current voltage sources DCCN+1 and

DCCN+2 in the common connection points of the direct current voltage sources is not connected to the phase module. Besides, $M \geq 2$ is set.

[0153.] In the case the thirteenth embodiment, there is
5 a case where the input terminal number $2N+2$ of the phase module does not become the multiples of 4. In a case where the input terminal number $2N+2$ of the phase module is the multiples of 4, the phase module shown in FIGS. 13(a) and (b) are applied. In a case where the input
10 terminal number $2N+2$ of the phase module is the even number which is not the multiples of 4, the phase module which corresponds to the input terminal number as shown in FIGS. 13(a) and (b).

[0154.] The number of the levels of the phase voltages is
15 dependent on the sorts (kinds) of the applied phase module, and the applied voltages of the direct current voltage sources DCC1 to DCC $2N+2$ and the capacitors within the phase modules.

[0155.] The third embodiment is an example where $N=1$
20 and $M=3$ are set in FIG. 17, where the phase module of FIG. 13(b) is used, where the voltages of the direct current voltage sources DCC1 to DCC $2N$ are set to E, and where the voltage of the capacitor FCM0 of the phase module of FIG. 13 is controlled to E.

[0156.] Besides, the direct current voltage sources DCC1
25 to DCC $2N+2$ may be respectively divided. Moreover, the direct current voltage sources DCCN+1 and DCCN+2 may be integrated into one direct current voltage source.

[0157.] [Fourteenth Embodiment]

FIG. 18 shows a basic cell used in multilevel power conversion devices according to fourteenth to seventeenth embodiments. The basic cell includes a flying capacitor FC1 and semiconductor elements (for example, IGBT) Sf1, Sf2, Sf3, and Sf4. These are common in the M phase. Hereinabove, there are provided the basic cell which is common in the phases. With this, it is possible to decrease the number of the used switching elements (including the semiconductor elements).

[0158.] The terminal 3 is connected to the positive electrode of the direct current voltage source (the capacitor or the direct current source). The terminal 1 is connected to the negative electrode of the direct current voltage source (the capacitor or the direct current power source). The terminal 2 is connected to the phase module. The phase module is illustrated later.

[0159.] FIG. 19 shows a configuration in which N number of the basic cells are connected in series with each other. In this case, $N \geq 2$ is set. The direct current voltage source (the capacitor or the direct power source) is connected to the terminals $2N+1$ and $2N-1$. The phase module is connected to the terminal $2N$.

[0160.] FIG. 20 shows a circuit configuration of a multilevel power conversion device according to a fourteenth embodiment in which the basic cells of FIG. 19 are used.

[0161.] Hereinafter, a circuit configuration of a multilevel power conversion device according to the fourteenth embodiment is illustrated with reference to FIG. 20. The multilevel power conversion device according to the

fourteenth embodiment includes the direct power sources DCC1 and DCC2 which are common to the respective phases, and the first and second basic cells 10a and 10b. By the phase modules provided to the respective phases, the voltage is selected, and outputted from the output terminals U, V, and W.

[0162.] Hereinafter, a concrete circuit configuration of U phase is illustrated as an example. The direct current voltage sources (the direct current capacitors or the direct current power sources) are connected in series with each other. The common connection point (the neutral point) between these direct current voltage sources DCC1 and DCC2 is set to the terminal 0.

[0163.] The first and second basic cells 10a and 10b include, respectively, semiconductor elements Sf1a and Sf1b which have one ends connected to the positive electrode terminals of the respective direct current voltage sources DCC1 and DCC2; semiconductor elements Sf2a and Sf2b which have one ends connected to the negative electrode terminals of the respective direct current voltage sources DCC1 and DCC2; flying capacitors FC1 and FC2 which are connected between the other ends of the semiconductor elements Sf1a and Sf1b, and the other ends of the semiconductor elements Sf2a and Sf2b; and semiconductor elements Sf3a, Sf4a, Sf3b, and Sf4b which are connected in series between the common connection points between the semiconductor elements Sf1a and Sf1b and the flying capacitors FC1 and FC2, and the common connection points between the semiconductor elements Sf2a and Sf2b and the flying capacitors FC1 and FC2. The

basic cells 10a and 10b output the voltages of E and -E levels to the phase modules by switching the semiconductor elements Sf1a and Sf1b, and Sf4a and Sf4b, or Sf2a and Sf2b, and Sf3a and Sf3b to the ON state.

5 [0164.] The one end of the semiconductor element Sf2a, the common connection point between the semiconductor element Sf3a and Sf4a, the common connection point between the semiconductor elements Sf3b and Sf4b, and the one end of the semiconductor element Sf1b are
10 connected to the respective phase modules as the input terminals.

[0165.] The one ends of the switching elements Su1 to Su4 are connected to the input terminals. The other ends of the adjacent switching elements Su1 and Su2, and Su3
15 and Su4 are connected with each other. The one ends of the switching elements Su5a and Su6a are connected to the common connection point between the adjacent switching elements Su1 and Su2, and the common connection point between the adjacent switching elements Su3 and Su4.
20 The switching elements Su7 and Su8 of the output stage are connected in order in series between the other ends of the switching elements Su5a and Su6a of the final stage through the switching elements Su5b and Su6b. The capacitor FC1u is connected in parallel to the switching
25 elements Su7 and Su8 of the output stage. The common connection point between the switching elements Su7 and Su8 of the output stage is set to output terminal U. Besides, the switching elements Su5b and Su6b are connected in series with the switching elements Su5a and
30 Su6a for the withstand voltage.

[0166.] By selectively controlling the switching elements of the phase module in the ON-OFF manner, it is possible to output the potential of one of the input terminals, or the potential obtained by adding or subtracting the voltage of the capacitor FC1u to or from the potential of the one of the input terminals from the output terminal U.

[0167.] Besides, the V phase and the W phase are similarly constituted.

[0168.] In this circuit configuration, by controlling the voltages of the direct current voltage sources DCC1 and DCC2 to $2E$, controlling the voltage of the flying capacitors FC1 and FC2, and controlling the voltages of the flying capacitors FC1u, FC1v and FC1w to E , it is possible to output the phase voltages of the 5 levels of $2E$, E , 0 , $-E$, and $-2E$. FIG. 21 shows a typical switching patterns of the U phase. \bigcirc in the drawing represents the semiconductor element and the switching element which are conducted. By the path shown in FIG. 21, it is possible to output the phase voltages of 5 levels of $2E$, E , 0 , $-E$, and $-2E$.

[0169.] In this fourteenth embodiment, it is possible to decrease the number of the used switching elements (including the semiconductor elements Sf1a to Sf4a, and Sf1b to Sf4b) to 38. (The number of the switching elements of the conventional circuit of FIG. 30 is 48. The number of the switching elements of the conventional circuit of FIG. 30 is 44). Moreover, it is possible to omit the gate drive circuit for driving the switching elements. Accordingly, it is possible to attain the low cost.

[0170.] Moreover, it is possible to ensure the freedom of the charge and the discharge, by limiting the voltage levels of the common connection points between the switching elements Sf3a and Sf4a, and Sf3b and Sf4b of the basic cells 10a and 10b to E, -E (the voltage reference point is the negative electrode terminals of the direct current voltage sources DCC1 to DCCN). Accordingly, it is possible to simplify the control.

[0171.] The circuit of FIG. 31 of the conventional art has a combination of the switching pattern which the direct current voltage source DCC1 and the flying capacitor FC1, and the direct current voltage source DCC2 and the flying capacitor FC2 may be short-circuited. The fourth embodiment does not have the pattern which are short-circuited.

[0172.] This is illustrated by using FIG. 22. O in the drawing shows the element which is conducted. The basic cells 10a and 10b which are common to the respective phases performs only the switching of two patterns shown in FIG. 22. Accordingly, even when any voltage levels are outputted, the semiconductor elements Sf1 and Sf2 are not simultaneously switched to the ON state. Accordingly, the short-circuit between the direct voltage source DCC2 and the flying capacitor FC2 is not generated. The connection patterns of the flying capacitors FC1 and FC2 can be switched. It is possible to charge and discharge by switching the current flowing into and out of the flying capacitors FC1 and FC2 by switching the connection patterns in accordance with the current. It is understood

that the freedom of the charge and the discharge of the flying capacitors FC1 and FC2 is ensured.

[0173.] FIG. 23 shows a circuit configuration of a multilevel power conversion device according to fifteenth embodiment. Hereinafter, the circuit configuration of the multilevel power conversion device according to the fifteenth embodiment is illustrated based on FIG. 23. The multilevel power conversion device according to the fifteenth embodiment includes the direct current voltage sources DCC1 and DCC2 which are common to the respective phases, and the first and second basic cells 10a and 10b. By the phase modules provided to the respective phases, the voltage is selected, and outputted from the output terminals U, V, and W.

[0174.] Hereinafter, a concrete circuit configuration of U phase is illustrated as an example. The connection between the direct current voltage sources DCC1 and DCC2 and the basic cells 10a and 10b is identical to that of the fourteenth embodiment.

[0175.] The one end of the semiconductor element Sf2a, the common connection point between the semiconductor elements Sf3a and Sf4a, the common connection point between the semiconductor element Sf3b and Sf4b, the one end of the semiconductor element Sf1b, and the common connection point between the semiconductor elements Sf1a and Sf2b are connected to the phase modules of the respective phases as the input terminals.

[0176.] In the phase module, the one end of the switching element Su1a is connected to the one end of the semiconductor element Sf2a, and the switching element

Su1b is connected to the semiconductor element Sf1b. The one end of the switching element Su2a is connected to the common connection point between the semiconductor elements Sf3a and Sf4a. The switching element Su2b is
5 connected to the common connection point between the semiconductor elements Sf3b and Sf4b.

[0177.] The other ends of the switching elements Su1a and Su2a are connected with each other. The other ends of the switching elements Su1b and Su2b are connected with
10 each other. The one ends of the switching elements Su3a and Su3b are connected with the common connection points between the switching elements Su1a and Su2a, and Su1b and Su2b.

[0178.] The switching element Su4a is connected to the
15 other end of the switching element Su3a. The other end of the switching element Su3b and the switching element Su5a are connected. In this case, the switching elements Su4a, Su4b, Su5b, Su5a are connected in series with each other so as to constitute the direct current circuit.

[0179.] A cathode of a diode Du1a and an anode of a
20 diode Du2a are connected to the common connection point between the semiconductor element Sf1a and the semiconductor element Sf2b. The direct current circuit in which the switching elements Su4a, Su4b, Su5b, and Su5a
25 are connected in series with each other are connected in parallel with the diode Du1a and the diode Du2a. Besides, the diode Du1b and Du2b, and the switching elements Su4b and Su5b are connected in series with the diode Du1a and Du2a, and the switching elements Su4a and Su5a for the
30 withstanding voltage.

[0180.] The common connection point between the switching elements between the switching elements Su4b and Su5b is set to the output terminal. By selectively controlling the respective switching elements in the ON-OFF manner, the potential of one of the input terminals is outputted from the output terminal.

[0181.] Besides, the V phase and the W phase are similarly constituted.

[0182.] In this circuit configuration, by controlling the voltages of the direct current voltage sources DCC1 and DCC2 to $2E$, and controlling the voltages of the flying capacitors FC1 and FC2 to E , it is possible to output the phase voltages of 5 levels of $2E$, E , 0 , $-E$, and $-2E$ from the output terminals. FIGS. 24 show typical switching patterns of the U phase. \bigcirc in the drawing is the conducted semiconductor element, or the conducted switching element. By the path shown in FIG. 24, it is possible to output the phase voltage of 5 levels of $2E$, E , 0 , $-E$, and $-2E$.

[0183.] In this fifteenth embodiment, it is possible to decrease the number of the used switching element (including the semiconductor elements) to 38. (The number of the switching elements of the conventional art of FIG. 30 is 48. The number of the switching elements of the conventional art of FIG. 31 is 44.) Moreover, it is possible to omit the gate drive circuit for driving the switching elements, and thereby to attain the lower cost.

[0184.] By limiting the voltage levels outputted from the basic cells 10a and 10b to E and $-E$ by using the basic cells 10a and 10b, it is possible to ensure the freedom of the

charge and the discharge, and thereby to simplify the control.

[0185.] Moreover, the loss of the common portions relative to the circuit of FIG. 33 is decreased.

5 [0186.] [Sixteenth Embodiment]

FIG. 25 shows a circuit configuration of a multilevel power conversion device according to a sixteenth embodiment. Hereinafter, the circuit configuration of the multilevel power conversion device according to the
10 sixteenth embodiment is illustrated with reference to FIG. 25. The multilevel power conversion device according to the sixteenth embodiment includes the direct current power sources DCC1 and DCC2 which are common to the respective phases; and the first and second basic cells 10a
15 and 10b. By the phase modules provided to the respective phases, the voltage is selected, and outputted from the output terminals U, V, and W.

[0187.] Hereinafter, a concrete circuit configuration of U phase is illustrated as an example, The connections of the
20 direct current voltage sources DCC1 and DCC2, and the basic cells 10a and 10b are identical to those of the fourteenth embodiment and the fifteenth embodiment.

[0188.] The one end of the semiconductor element Sf2a, the common connection point between the semiconductor
25 elements Sf3a and Sf4a, the common connection point between the semiconductor elements Sf3b and Sf4b, the one end of the semiconductor element Sf1b, and the common connection point between the semiconductor elements Sf1a and Sf2b are connected to the phase

modules of the respective phase modules as the input terminals.

[0189.] In the phase module, the one end of the switching element Su1a is connected to the one end of the semiconductor element Sf2a, and the switching element Su1b is connected to the one end of the semiconductor element Sf1b. The one end of the switching element Su2a is connected to the common connection point between the semiconductor elements Sf3a and Sf4a. The switching element Su2b is connected to the common connection point between the semiconductor elements Sf3b and Sf4b.

[0190.] The other ends of the switching elements Su1a and Su2a, and Su1b and Su2b are connected with each other. The one ends of the switching elements Su3a and Su3b are connected to the common connection points between the switching elements Su1a and Su2a, and Su1b and Su2b.

[0191.] The one end of the bi-directional switch is connected to the common connection point between the semiconductor element Sf1a and the semiconductor element Sf2b. The other end of the bidirectional switch and the other ends of the switching elements Su4 and Su5a are connected. In this sixteenth embodiment, the switching elements Su4 and Su5 are inversely connected, so that the bidirectional switch is constituted. By setting the common connection point between the switching elements Su3a and Su3b and the bidirectional switch to the output terminal, and by selectively controlling the respective switching elements (including the semiconductor

elements) in the ON-OFF manner, the potential of one of the input terminals is outputted from the output terminal.

[0192.] Besides, the V phase and the W phase are similarly constituted.

5 [0193.] In this circuit configuration, by controlling the voltages of the direct current voltage sources DCC1 and DCC2 to $2E$, and controlling the voltages of the flying capacitors FC1 and FC2 to E , it is possible to output the phase voltages of 5 levels of $2E$, E , 0 , $-E$, and $-2E$ from the
10 output terminals U, V, and W. FIGS. 26 show typical switching patterns of the U phase. \bigcirc in the drawing represents the conducted semiconductor element and the conducted switching element. By the path shown in FIG. 26, it is possible to output the phase voltage of 5 levels of
15 $2E$, E , 0 , $-E$, and $-2E$.

[0194.] In the sixteenth embodiment, it is possible to decrease the number of the used switching elements (including the semiconductor elements) to 32. Moreover, it is possible to omit the gate drive circuit for driving the
20 switching elements, and thereby to decrease the cost.

[0195.] By limiting the voltage levels outputted from the basic cells 10a and 10b to E and $-E$ by using the basic cells 10a and 10b, it is possible to ensure the freedom of the charge and the discharge, and thereby to simplify the
25 control.

[0196.] [Seventeenth Embodiment]

FIG. 27 shows a circuit configuration of a multilevel power conversion device according to a seventeenth

embodiment. In this circuit, the flying capacitors FC1 to FCN are common to the three phase.

[0197.] N direct current voltage sources DCC1 to DCCN which are common to the respective phases are connected in series with each other. The multilevel power conversion device of FIG. 27 is constituted to the M phases and N stages by using the direct current power sources DCC1 to DCCN; a circuit which is formed by enlarging the basic cell of FIG. 18 to the N stages; and the phase modules of the M phase. Besides, $N \geq 2$, and $M \geq 3$ are set. Moreover, the first, fourth, fifteenth, and sixteenth embodiments are configurations in which $N=2$ and $M=3$ are set in the circuit of FIG. 27.

[0198.] The one ends of the semiconductor elements Sf1a to Sf1n are connected to the positive electrode terminals of the direct current power sources DCC1 to DCCN. The one ends of the semiconductor elements Sf2a to Sf2n are connected to the negative electrode terminals of the direct current voltage sources DCC1 to DCCN. The configuration of the basic cells 10a to 10n are identical to those of the fourteenth embodiment.

[0199.] The terminals 1, 2, 3, \dots , $2N-1$, $2N$, and $2N+1$ are set to the input terminals of the phase modules. Besides, the terminal 3 and the terminal $2N-1$ may not be necessarily connected to the respective phase modules. The fourteenth embodiment is an example in which the terminal 3 and the terminal $2N-1$ of FIG. 27 are not connected to the phase modules.

[0200.] In this case, by setting the voltages of the direct current voltage sources DCC1 to DCCN to $2E$, and by

controlling the voltages of the flying capacitors FC1 to FCN to E, it is possible to output the phase voltages of $2N+1$ levels.

[0201.] FIGS.28 show examples of the phase modules.

5 FIG. 28(a) is identical to FIG. 13(c). FIG. 28(d) is identical to FIG. 13(d).

[0202.] In FIG. 28(b), the one ends of the switching elements S1a, S2a, S2b, and S1b are connected to the terminals 1, 2, $2N$, and $2N+1$. The other ends of the
10 adjacent two switching elements S1a and S2a are connected to each other. The other ends of the adjacent two switching elements S2b and S1b are connected to each other. The one end of the switching element S3a is connected to the common connection point between the
15 switching elements S1a and S2a whose the other ends are connected to each other. The one end of the switching element S3b is connected to the common connection point between the switching elements S2b and S1b whose the other ends are connected to each other.

20 [0203.] The one end of the direct current circuit in which the switching element S4a and the switching element S5a are connected in series with each other is connected to the other end of the switching element S3a. The direct current circuit in which the switching element S4b and the
25 switching element S5b are connected to each other is connected to the other end of the switching element S3b.

[0204.] The cathodes of the diodes D11 and D1n, and the anodes of the diodes D21 and D2n are connected to the terminals 3 and $2N-1$. The direct current circuit in which
30 the switching elements S4a and S5a are connected in series

with each other, and the direct current circuits in which S4b and S5b are connected in series with each other are connected in parallel with the diodes D11 and D21, and D1n and D2n. The one ends of the switching elements S8 and S7 are connected to the common connection point between the switching elements S4a and S5a, and the common connection point between the switching elements S4b and S5b. The other ends of the switching elements S7 and S8 are connected to each other. The common connection point between the switching elements S7 and S8 is set to the output terminal.

[0205.] In the fifteenth embodiment, the terminal 3 and the terminal 2N-1 are set to one. The common connection point between the switching elements S4b and S5b is set to the output terminal U. For the withstand voltage, the diodes Du1a and Du1b, Du2a and Du2b, Su4a and Su4b, and Su5a and Su5b are connected in series with each other.

[0206.] In FIG. 28(c), the one ends of the switching elements S1a and S1b are connected to the terminals 1 and 2N+1. The one ends of the switching elements S2a and S2b are connected to the terminals 2 and 2N. The other ends of the switching elements S1a and S2a, and S1b and S2b are connected to each other. The one ends of the switching elements 3a and 3b are connected to the common connection point between the switching elements S1a and S2a, and S1b and S2b.

[0207.] The one end of the bidirectional switch is connected to the terminals 3 and 2N-1. The other end of the bidirectional switch and the other ends of the switching elements S3a and S3b are connected to each other. The

common connection points between the switching elements S3a and S3b, and the bidirectional switch are set to the output terminals. Besides, in the sixteenth embodiment, the terminals 3 and 2N-1 are set to one.

5 [0208.] The phase module has a function to select and connect one of the input terminals 1, 2, . . . , 2N+1 to the output terminal OUT by the ON/OFF operation of the switching elements within the phase module.

[0209.] Moreover, as shown in FIG. 27, circuit groups
 10 from the direct current voltage sources DCC1 to DCCN to the inputs of phase modules of the respective phases (that is, the direct current voltage sources DCC1 to DCCN and the basic cells 10a to 10n) are represented as the direct current voltage groups 1 to N. In FIG. 27, the voltage
 15 levels inputted from one of the direct current voltage group 1 to N to the phase module are three levels of 0, E, and 2E. (the voltage reference point is the negative electrode terminal of the direct current voltage sources DCC1 to DCCN of the direct current voltage group.)

20 Moreover, the voltage level 2E of one of the direct current voltage group, and the voltage level 0 of the direct current voltage group which is upper stage by one from the one of the direct current voltage group become the same phase voltage when viewed from the output terminal of the
 25 phase module. In a structure in which there are N stages direct current voltage groups, as described above, the portions in which the voltage levels are superimposed with each other are (N-1) portions. Accordingly, in FIG. 27, it is possible to output the voltages of $(3N-(N-1)) = (2N+1)$
 30 levels, to the output terminals OUT1 to OUTM.

[0210.] The fourteenth embodiment is an example in which the phase module of FIG. 28(d) is used. The fifteenth embodiment is an example in which the phase module of FIG.28(b) is used. The sixteenth embodiment is an example in which the phase module FIG. 28(c) is used. The direct current voltage sources in the fourteenth embodiment to the sixteenth embodiment are $N=2$. Accordingly, the number of the levels of the output voltages is 5 levels.

CLAIMS

1. A multilevel power conversion device configured to generate an alternating current output which is converted from voltages of N direct current voltage sources, flying capacitors, and other capacitors, to a plurality of voltage levels, N being ≥ 1 , the multilevel power conversion device comprising:

the N direct current voltage sources which are connected in series with each other, and which are common to all phases;

the flying capacitors including:

a first flying capacitor which has one end connected to a negative electrode terminal of the series connection of the direct current voltage sources, and which is common to all phases; and

a second flying capacitor which has one end connected to a positive electrode terminal of the series connection of the direct current voltage sources, and which is common to the all phases; and

phase modules of M phases, M being ≥ 2 , each of the M phases including:

a positive electrode terminal and a negative electrode terminal of the first flying capacitor, and a positive electrode terminal and a negative electrode terminal of the second flying capacitor serving as input terminals;

one end of each one of switching elements being connected to one of the input terminals,

other ends of adjacent two of the switching elements being connected to each other in a first sequence,

one end of one of the switching elements being connected to a common connection point of the switching elements which have the other ends connected to each other in a second sequence,

the first sequence and the second sequence being repeated until a final stage in which a number of the switching elements becomes two,

two of the switching elements of an output stage being connected in series between the other ends of the two of the switching elements of the final stage,

one of the other capacitors being connected in parallel with the two of the switching elements of the output stage,

a common connection point of the switching elements of the output stage serving as an output terminal,

each of the phase modules of the M phases being configured to output, from the output terminal, a potential of one of the input terminals, or a potential obtained by adding or subtracting the voltage of the one of the other capacitors to or from the potential of the one of the input terminals, by selectively controlling the respective switching elements in an ON/OFF manner.

2. A multilevel power conversion device configured to generate an alternating current output which is converted from voltages of N direct current voltage sources, flying capacitors, and other capacitors, to a plurality of voltage levels, N being ≥ 2 , the multilevel power conversion device comprising:

the N direct current voltage sources which are connected in series with each other, and which are common to all phases;

the flying capacitors including:

a first flying capacitor having a positive electrode terminal connected to a common connection point between a nth direct current voltage source (n: odd number) and a (n+1)th direct current voltage source (n+1: even number);

a second flying capacitor having a negative electrode terminal connected to a common connection point between n th direct current voltage source and $(n+1)$ direct current voltage source; and

phase modules of M phases, M being ≥ 2 , each of the M phases including:

the negative electrode terminal of the n th direct current voltage source, the negative electrode terminal of the first flying capacitor, the positive electrode terminal of the n th direct current power source, and the positive electrode terminal of the second flying capacitor serving as input terminals,

one end of each of switching elements being connected to one of the input terminals,

the other ends of adjacent two of the switching elements being connected to each other in a first sequence,

one end of one of the switching elements being connected to a common connection point between the switching elements which have the other ends connected to each other in a second sequence,

the first sequence and the second sequence being repeated until a final stage in which a number of the switching elements becomes two,

two of the switching elements of an output stage being connected in series with each other between the other ends of two of the switching elements of the final stage,

one of the other capacitors being connected in parallel with two of the switching elements of the output stage,

a common connection point of the switching elements of the output stage serving as an output terminal,

each of the phase modules of the M phases being configured to output a potential of one of the input terminals, or a potential

obtained by adding or subtracting the voltage of the capacitor to or from the potential of the one of the input terminals, by selectively controlling the respective switching elements in an ON-OFF manner.

3. A multilevel power conversion device configured to generate an alternating current output which is converted from voltages of two direct current voltage sources, $4N$ flying capacitors, and other capacitors, to a plurality of voltage levels, N being ≥ 1 , the multilevel power conversion device comprising:

the two direct current voltage sources which are connected to each other, and which are common to all phases;

the $4N$ flying capacitors including:

N flying capacitors of first to N th flying capacitors which have negative electrode terminals that are connected in order in series with a negative electrode terminal of the first direct current voltage source, and which are common to the all phases;

N flying capacitors of $(N+1)$ th to $2N$ th flying capacitors which have positive electrode terminals connected in order in series with a common connection point between the first direct current voltage source and the second direct current voltage source, and which are common to the all phases;

N flying capacitors of $(2N+1)$ th to $3N$ th flying capacitors which have negative electrode terminals connected in order in series with the common connection point between the first direct current voltage source and the second direct current voltage source, and which are common to the all phases, and

N flying capacitors of $4N$ th to $(3N+1)$ th flying capacitors which have positive electrode terminals connected in order in series with the positive electrode terminal of the second direct current voltage source, and which are common to the all phases; and

phase modules of M phases, M being ≥ 2 , each of the M phases including:

a positive electrode terminal and the negative electrode terminal of the first flying capacitor, positive electrode terminals of the second to N th flying capacitors, negative electrode terminals of the $(N+1)$ to $2N$ th flying capacitors, positive electrode terminals of the $(2N+1)$ to $3N$ th flying capacitors, negative electrode terminals of the $(3N+1)$ to $(4N-1)$ flying capacitors, and the positive electrode terminal and a negative electrode terminal of the $4N$ th flying capacitor serving as input terminals,

one ends of the switching elements being connected to the respective input terminals,

the other ends of adjacent two of the switching elements being connected to each other in a first sequence,

one end of one of switching elements being connected to a common connection point between the switching elements which have the other ends connected to each other in a second sequence,

the first sequence and the second sequence being repeated until a final stage in which a number of the switching element becomes two,

two of the switching elements of an output stage being connected in series with each other between the other ends of the two of the switching elements of the final stage,

one of the other capacitors being connected in parallel to the two of the switching elements of the output stage,

a common connection point of the switching elements of the output stage serving as an output terminal,

each of the phase modules of the M phases ($M \geq 2$) which are configured to output, from the output terminal, a potential of one of

the input terminals, or a potential obtained by adding or subtracting a voltage of the capacitor to or from the potential of the input terminals, by selectively controlling the switching elements in an ON-OFF manner.

4. A multilevel power conversion device configured to generate an alternating current output which is converted from voltages of two direct current voltage sources, $2N$ flying capacitors, and other capacitors, to a plurality of voltage levels, M being ≥ 2 , the multilevel power conversion device comprising:

the two direct current voltage sources which are connected in series with each other, and which are common to all phases;

the $2N$ flying capacitors including:

N flying capacitors of first to N th flying capacitors which have negative electrode terminals connected in order in series with the negative electrode side of the first direct current voltage sources, and which are common to the all phases, and

N flying capacitors of $(N+1)$ to $2N$ th flying capacitors which have positive electrode terminals connected in order in series with a positive electrode side of the second direct current voltage source, and which are common to the all phases;

phase modules of M phases, M being ≥ 2 , each of the M phases including:

a positive electrode terminal and the negative electrode terminal of the first flying capacitor, positive electrode terminals of the second to N th flying capacitors, negative electrode terminals of $(N+1)$ th to $(2N-1)$ th flying capacitors, and the positive electrode terminal and a negative electrode terminal of the $2N$ flying capacitor serving as input terminals,

one end of the switching elements being connected to the respective input terminals,

the other ends of adjacent two of the switching elements being connected to each other in a first sequence,

one end of one of switching elements being connected to a common connection point between the switching elements which have the other ends connected to each other in a second sequence,

the first sequence and the second sequence being repeated until a final stage in which a number of the switching elements becomes two,

two of the switching elements of an output stage being connected in series with each other between the other ends of the two of the switching elements of the final stage,

one of the other capacitors being connected in parallel with the two of the switching elements of the output stage,

a common connection point of the switching elements of the output stage serving as an output terminal,

each of the phase modules of the M phases ($M \geq 2$) being configured to output a potential of one of the input terminals, or a potential obtained by adding a voltage of the capacitor to or from the potential of the one of the input terminals, by selectively controlling the switching elements in an ON-OFF manner.

5. The multilevel power conversion device as claimed in Claim 4, wherein the two direct current voltage sources includes a first direct current voltage source and a second direct current voltage source; and the first direct current voltage source and the second direct current voltage source are integrated to one direct current voltage source.

6. A multilevel power conversion device configured to generate an alternating current output which is converted from a direct current

voltage to a plurality of voltage levels, the multilevel power conversion device comprising:

N direct current voltage sources which are connected in series with each other, and which are common to all phases, M being ≥ 2 ;

a basic cell being common to the all phases, and including a first semiconductor element having one end connected to positive electrode terminals of the direct current power sources, a second semiconductor element having one end connected to negative electrode terminals of the direct current power sources, a flying capacitor connected between the other end of the first semiconductor element and the other end of the second semiconductor element, and third and fourth semiconductor elements connected in series between the common connection point of the first semiconductor element and the flying capacitor, and the common connection point of the second semiconductor element and the flying capacitor; and

phase modules of M phases, M being ≥ 2 , each of the M phases including:

at least one of the one end of the first semiconductor element and the one end of the second semiconductor element, and a common connection point of the third and fourth semiconductor elements serving as input terminals,

switching elements disposed between the respective input terminals and an output terminal,

the phase modules being configured to selectively control the respective switching elements in an ON-OFF manner,

wherein in each of the phase modules,

one end of one of the switching elements is connected to the respective input terminals,

the other ends of adjacent two of the switching elements are connected to each other in a first sequence,

one end of one of the switching elements is connected to a common connection point between the switching elements which have the other ends that are connected to each other in a second sequence,

the first sequence and the second sequence are repeated until a final stage in which a number of the switching elements becomes two,

two of the switching elements of an output stage are connected in series between the other ends of the two of the switching elements of the final stage,

a capacitor is connected in parallel with the two of the switching elements of the output stage,

a common connection point between the switching elements of the output stage serves as the output terminal; and each of the phase modules is configured to output, from the output terminal, a potential of one of the terminals of the input terminals, or a potential obtained by adding or subtracting a voltage of the capacitor to or from a potential of one of the input terminals.

7. A multilevel power conversion device configured to generate an alternating current output which is converted from a direct current voltage to a plurality of voltage levels, the multilevel power conversion device comprising:

N direct current voltage sources which are connected in series with each other, and which are common to all phases, M being ≥ 2 ;

a basic cell being common to the all phases, and including a first semiconductor element having one end connected to positive electrode terminals of the direct current power sources, a second semiconductor element having one end connected to negative electrode terminals of the direct current power sources, a flying capacitor connected between

the other end of the first semiconductor element and the other end of the second semiconductor element, and third and fourth semiconductor elements connected in series between a common connection point of the first semiconductor element and the flying capacitor, and a common connection point of the second semiconductor element and the flying capacitor; and

phase modules of M phases, M being ≥ 3 , each of the M phases including:

at least one of the one end of the first semiconductor element and the one end of the second semiconductor element, and a common connection point of the third and fourth semiconductor elements serving as input terminals,

switching elements which include first to fifth switching elements, and which are disposed between the respective input terminals and an output terminal,

each of the phase modules being configured to selectively control the respective first to fifth switching elements in an ON-OFF manner,

wherein in each of the phase modules,

one end of the first switching element is connected to one of the one end of the first semiconductor element and the one end of the second semiconductor element,

one end of the second switching element is connected to the common connection point between the third and fourth semiconductor elements,

the other ends of the first and second switching elements are connected to each other,

one end of the third switching element is connected to a common connection point between the first and second switching elements,

the other end of the third switching element is connected to one end of a direct current circuit in which the fourth switching element and the fifth switching element are connected in series with each other,

a cathode of a first diode and an anode of a second diode are connected to the other of the one end of the first semiconductor element and the one end of the second semiconductor element,

the direct current circuit in which the fourth switching element and the fifth switching element are connected in series with each other is connected in parallel to the first diode and the second diode,

a common connection point between the fourth and fifth switching elements is set to an output terminal, or

one end of one of the switching elements is connected to a common connection point between the fourth and fifth switching elements,

the other ends of adjacent two of the switching elements are connected to each other in a first sequence,

one of the switching elements is connected to a common connection point between the switching elements having the other ends that are connected to each other in a second sequence,

the first sequence and the second sequence are repeated until an output stage in which a number of the switching elements becomes two,

a common connection point of the two of the switching elements of the output stage serves as an output terminal;

each of the phase modules is configured to output, from the output terminal, a potential of one of the input terminals, by selectively controlling the respective switching elements in an ON-OFF manner.

8. A multilevel power conversion device configured to generate an alternating current output which is converted from a direct current voltage to a plurality of voltage levels, the multilevel power conversion device comprising:

a first direct current voltage source which is common to all phases;
a second direct current voltage source which is common to the all phases, and which has a negative electrode terminal connected to a positive electrode terminal of the first direct current voltage source;
and

a first basic cell being common to the all phases, and including a first semiconductor element having one end connected to the positive electrode terminal of the first direct current voltage source, a second semiconductor element having one end connected to the a negative electrode terminal of the first direct current voltage source, a flying capacitor connected between the other end of the first semiconductor element and the other end of the second semiconductor element, and third and fourth semiconductor elements connected in order in series with each other between a common connection point of the first semiconductor element and the flying capacitor, and a common connection point between the second semiconductor element and the flying capacitor;

a second basic cell being common to the all phases, and including a first semiconductor element having one end connected to a positive electrode terminal of the second direct current voltage source, a second semiconductor element having one end connected to the negative electrode terminal of the second direct current voltage source, a flying capacitor connected between the other end of the first semiconductor element and the other end of the second semiconductor element, and third and fourth semiconductor elements connected in order in series with each other between a common connection point between the first semiconductor element and the flying capacitor, and a common connection point between the second semiconductor element and the flying capacitor;

phase modules of M phases, M being ≥ 3 , each of the M phases including:

the one end of the second semiconductor element of the first basic cell, a common connection point of the third and fourth semiconductor elements of the first basic cell, a common connection point between the first semiconductor element of the first basic cell and the second semiconductor element of the second basic cell, a common connection point of the third and fourth semiconductor elements of the second basic cell, and the one end of the first semiconductor element of the second basic cell serving as input terminals,

first and second switching elements on a side of the second basic cell being connected in order in series with each other between the one end of the first semiconductor element of the second basic cell and the common connection point of the third and fourth semiconductor elements of the second basic cell,

first and second switching elements on a side of the first basic cell being connected in order in series with each other between the one end of the second semiconductor element of the first basic cell, and the common connection point of the third and fourth semiconductor elements of the first basic cell,

one end of a third switching element on the side of the first basic cell being connected to the common connection points of the first and second switching elements on the side of the first basic cell,

one end of the third switching element on the side of the second basic cell being connected to the common connection point of the first and second switching elements on the side of the second basic cell,

fifth and fourth switching elements being connected in order in series between the other end of the third switching element on the

side of the second basic cell, and the other end of the third switching element on the side of the first basic cell,

a cathode of a first diode and an anode of a second diode being connected to the common connection point of the one end of the first semiconductor element of the first basic cell, and the one end of the second semiconductor element of the second basic cell,

a direct current circuit in which the fourth switching element and the fifth switching element are connected in series with each other being connected parallel to the first diode and the second diode,

a common connection point of the fourth and fifth switching elements serving as an output terminal,

each of the phase modules of the M phases ($M \geq 3$) being configured to selectively control the respective switching elements in an ON-OFF manner,

each of the phase modules being configured to output a potential of one of the input terminals from the output terminal by selectively controlling the respective switching elements in the ON-OFF manner.

9. A multilevel power conversion device configured to generate an alternating current output which is converted from a direct current voltage to a plurality of voltage levels, the multilevel power conversion device comprising:

N direct current voltage sources which are connected in series with each other, and which are common to all phases, N being ≥ 2 ;

a basic cell being common to the all phases, and including a first semiconductor element having one end connected to positive electrode terminals of the respective direct current power sources, a second semiconductor element having one end connected to negative electrode terminals of the direct current power sources, a flying capacitor connected between the other end of the first semiconductor element

and the other end of the second semiconductor element, and third and fourth semiconductor elements connected in series between a common connection point of the first semiconductor element and the flying capacitor, and a common connection point of the second semiconductor element and the flying capacitor; and

phase modules of M phases, M being ≥ 3 , each of the M phases including:

at least one of the one end of the first semiconductor element and the one end of the second semiconductor element, and a common connection point of the third and fourth semiconductor elements serving as input terminals,

switching elements which include first to third switching elements, and which are disposed between the respective input terminals and an output terminal,

each of the phase modules being configured to selectively control the respective switching elements in an ON-OFF manner,

wherein in each of the phase modules,

one end of the first switching element is connected to one of the one end of the first semiconductor element and the one end of the second semiconductor element,

one end of the second switching element is connected to a common connection point between the third and fourth semiconductor elements,

the other ends of the first and second switching elements are connected to each other,

one end of the third switching element is connected to the common connection point between the first and second switching elements,

one end of a bidirectional switch is connected to the other of the one end of the first semiconductor element and the one end of the second semiconductor element,

the other end of the third switching element is connected to the other end of the bidirectional switch,

a common connection point between the third switching element and the bidirectional switch is set to the output terminal,

each of the phase modules is configured to output a potential of one of the input terminals from the output terminal, by selectively controlling the respective switching elements.

10. The multilevel power conversion device as claimed in any one of Claims 1 to 6, wherein two of the switching elements are connected in series between the other ends of adjacent two of the switching elements which are other than the final stage,

one of the other capacitors is connected in parallel with the two of the switching elements which are connected in series with each other,

one end of one of the switching elements of a next stage is connected to a common connection point of the two of the switching elements which are connected in series with each other;

the potential of the one of the input terminals, or a potential obtained by adding or subtracting a voltage of the one of the other capacitors connected in parallel with the two of the switching elements of the output stage, and a voltage of the one of the other capacitors connected in parallel with the switching element connected in series between adjacent two of the switching elements which are other than the final stage, to or from the potential of the one of the input terminals, by selectively controlling the respective switching elements in an ON-OFF manner is outputted from the output terminal.

11. The multilevel power conversion device as claimed in any one of Claims 1 to 7, 9, and 10, wherein the respective direct current voltage sources are divided into two or more direct current connections.

12. The multilevel power conversion device as claimed in any one of Claims 1 to 11, wherein a part or all of the switching elements and the semiconductor elements are divided into two or more direct current connections.

13. The multilevel power conversion device as claimed in any one of Claims 1 to 12, wherein a part or all of the switching elements and the semiconductor elements are divided into two or more parallel current connections.

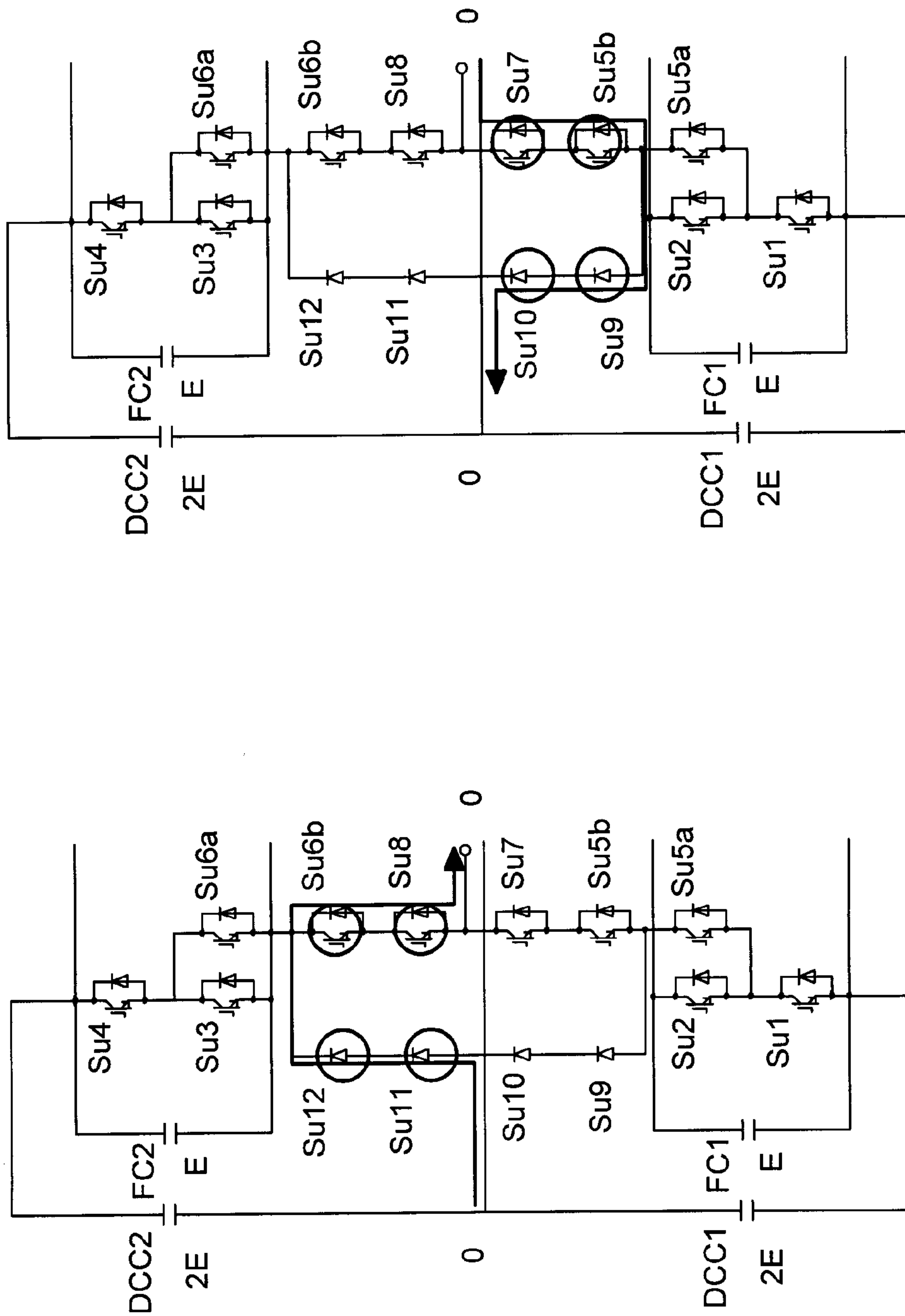


FIG. 1a

FIG. 1b

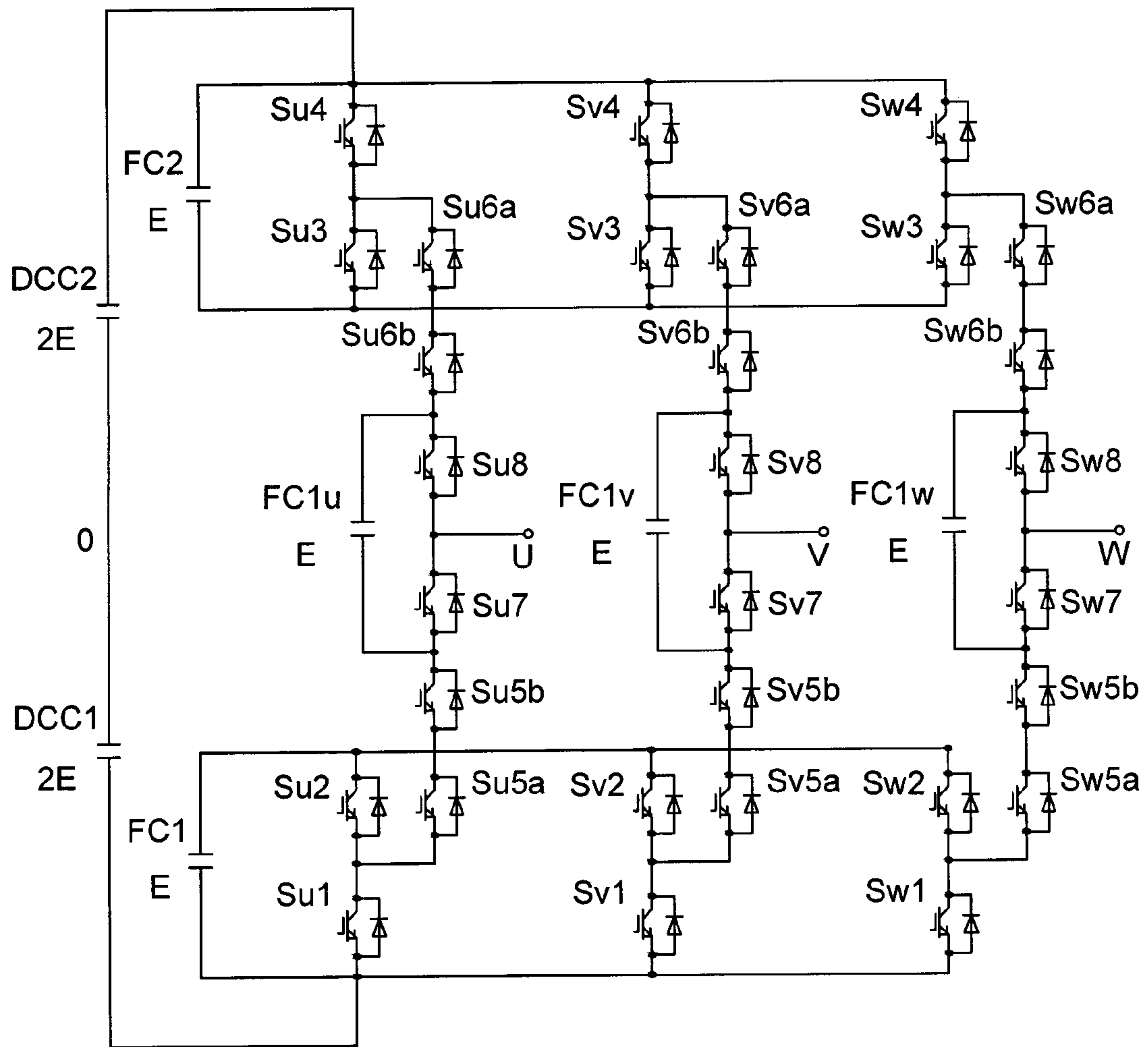


FIG. 2

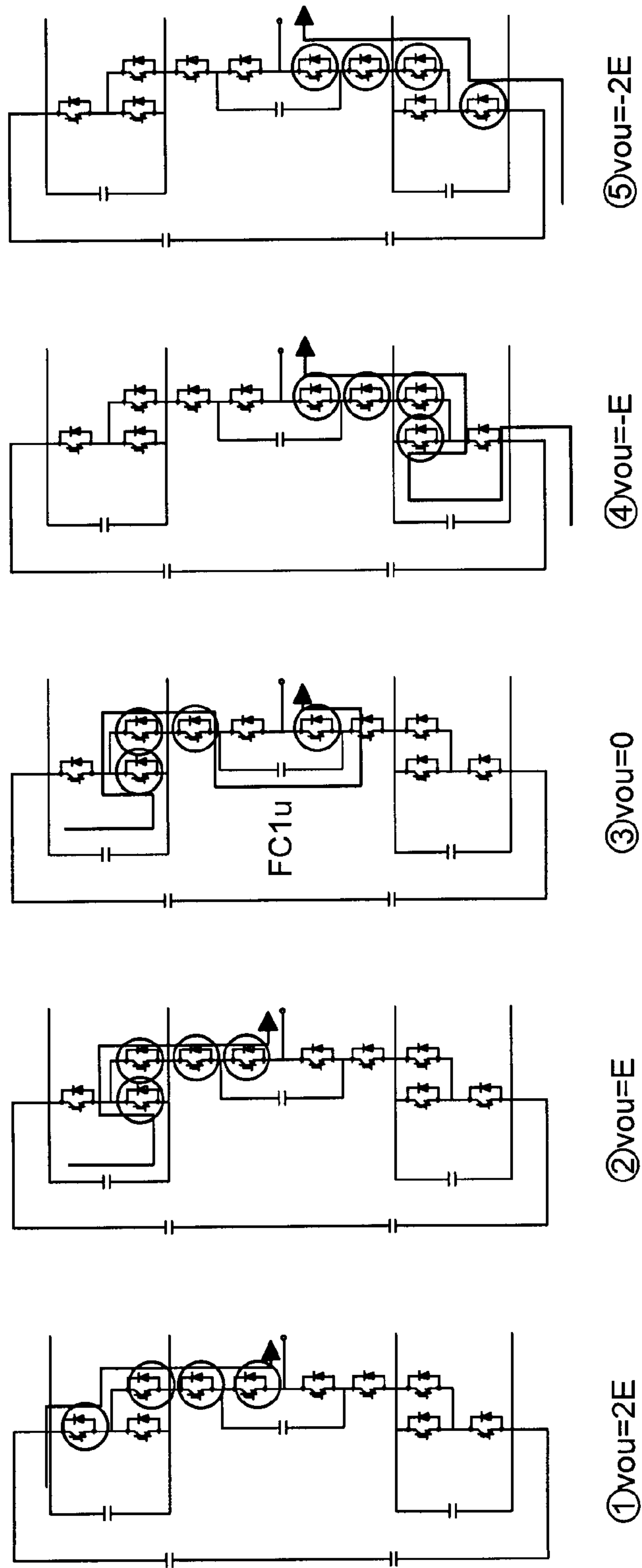


FIG. 3

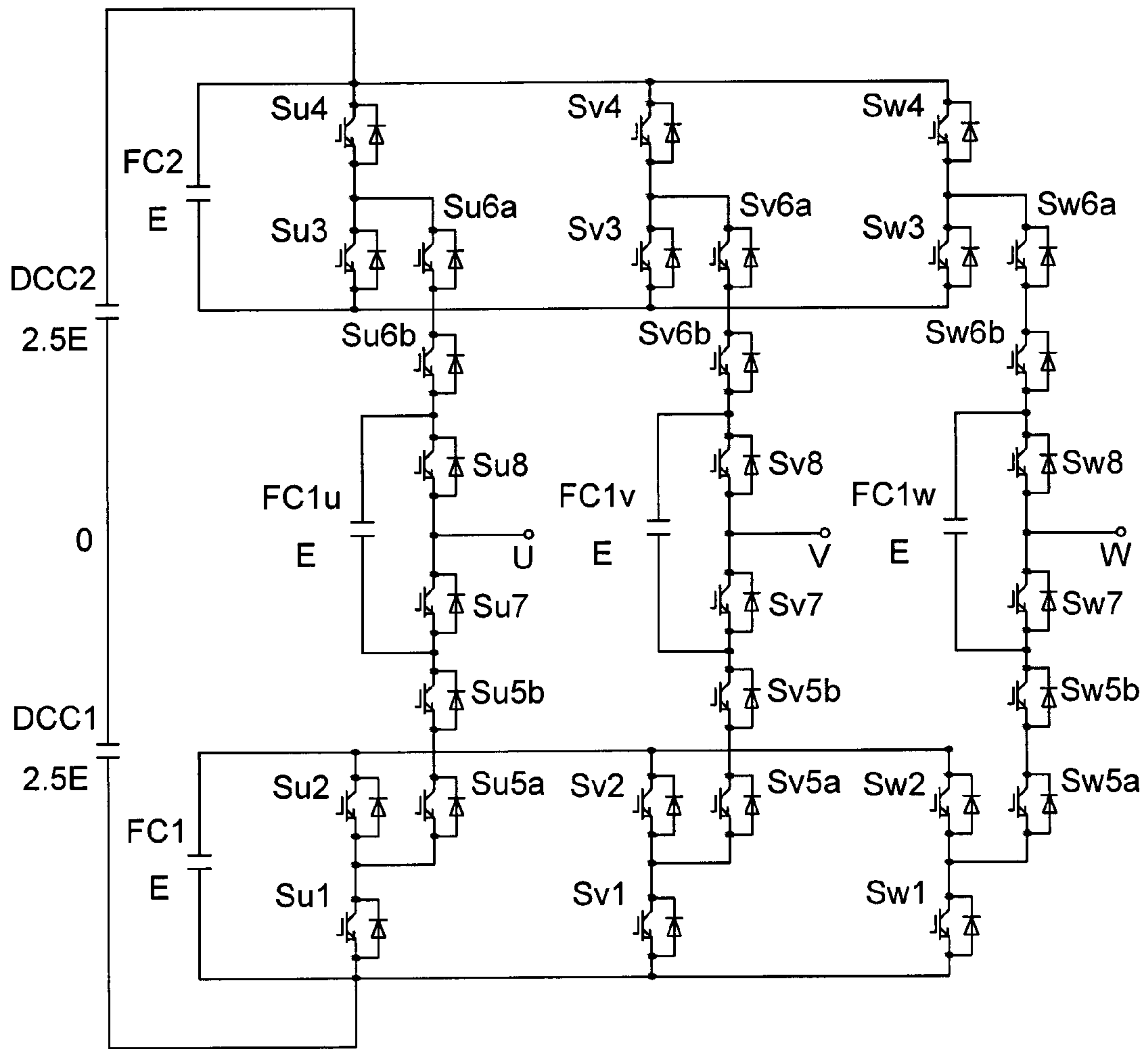
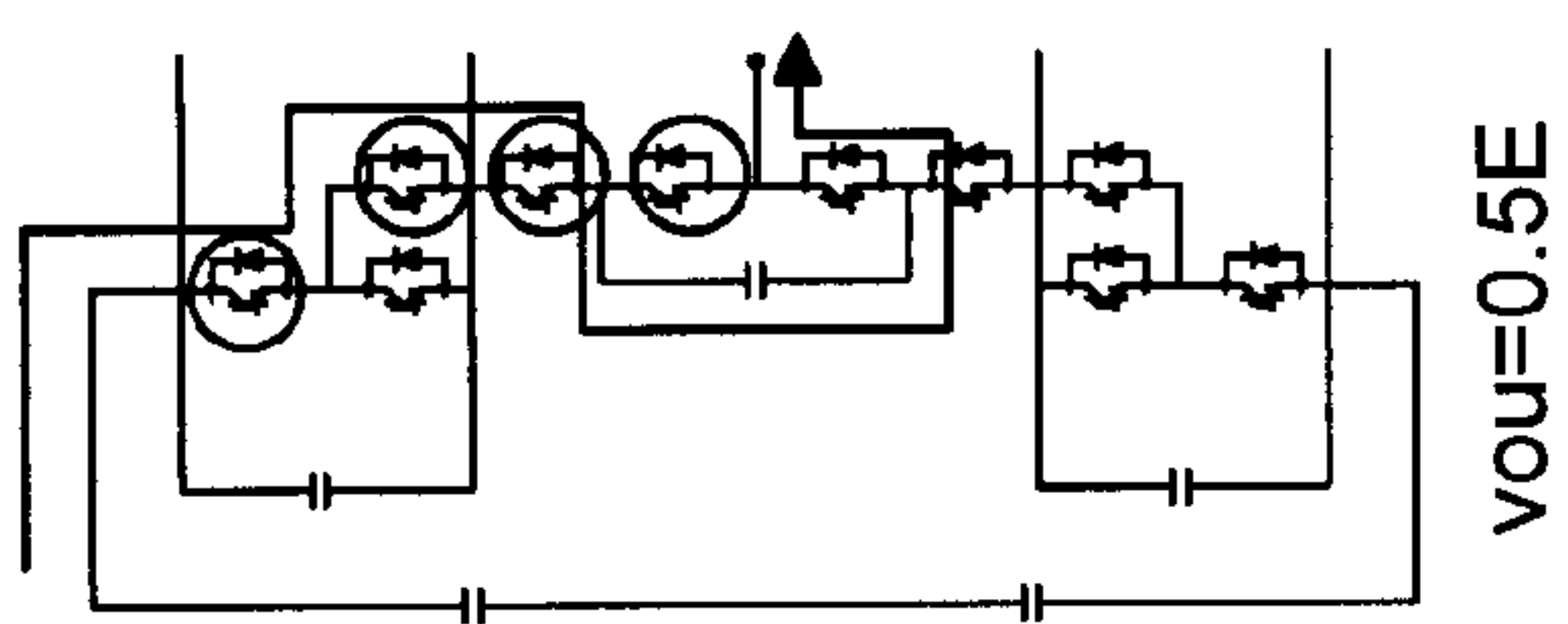
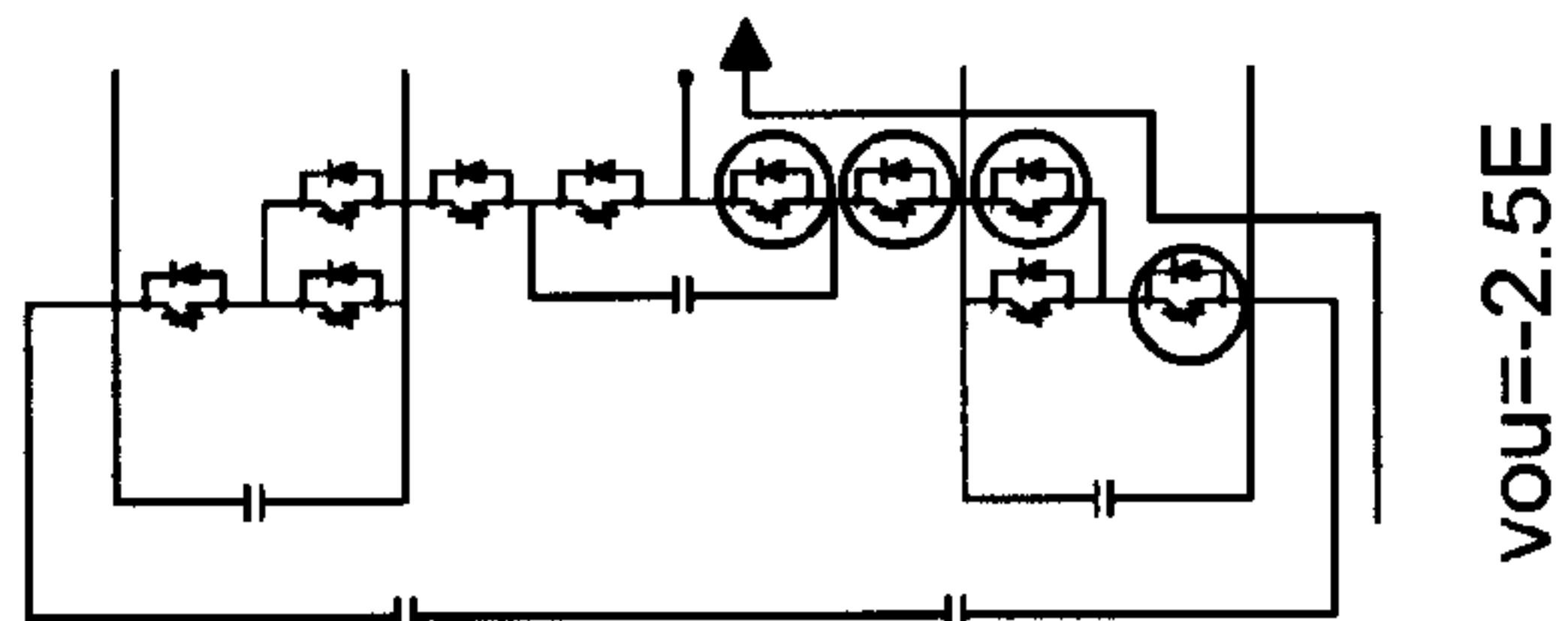


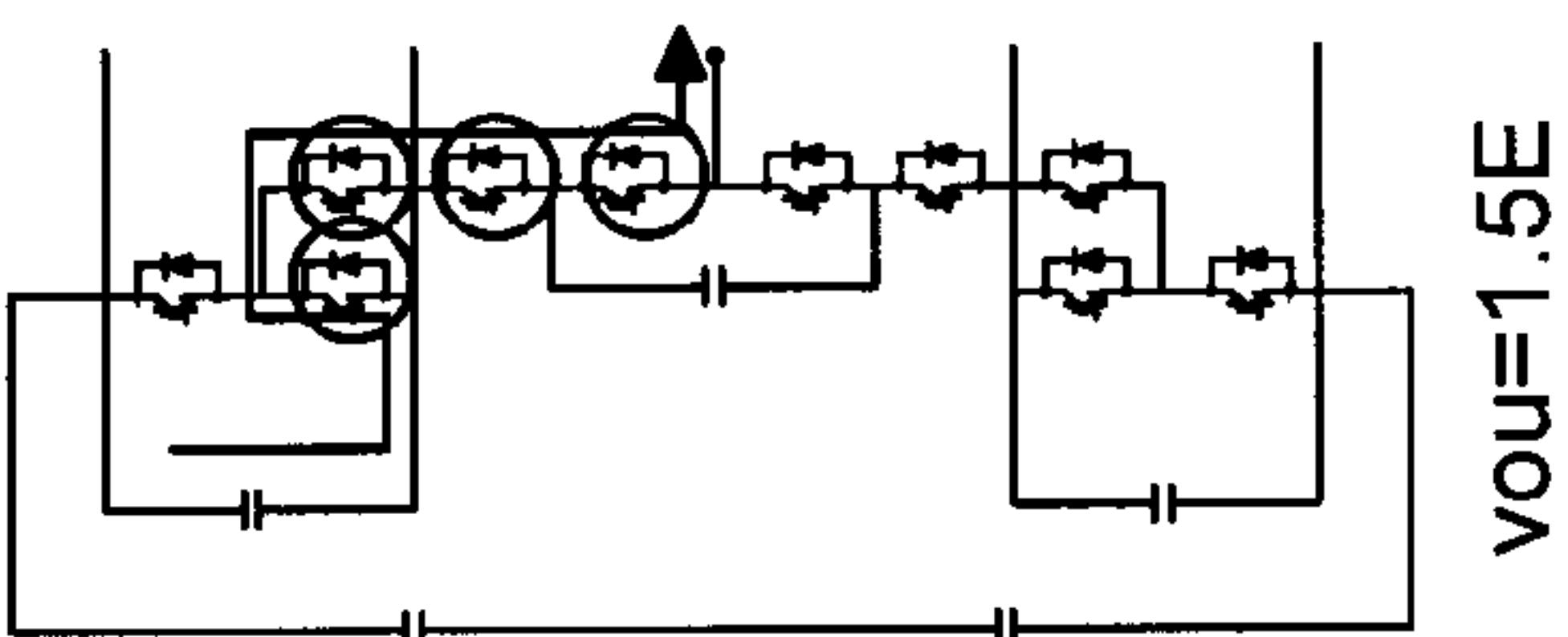
FIG. 4



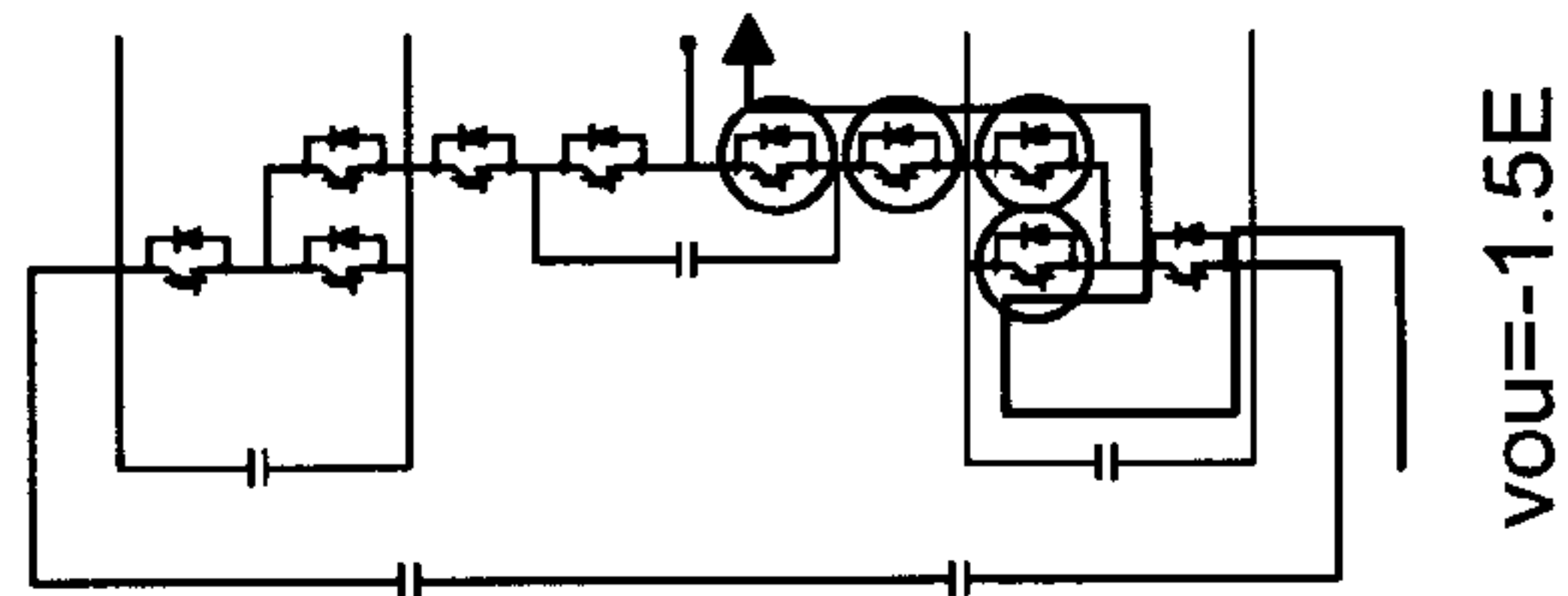
$v_{Ou}=0.5E$



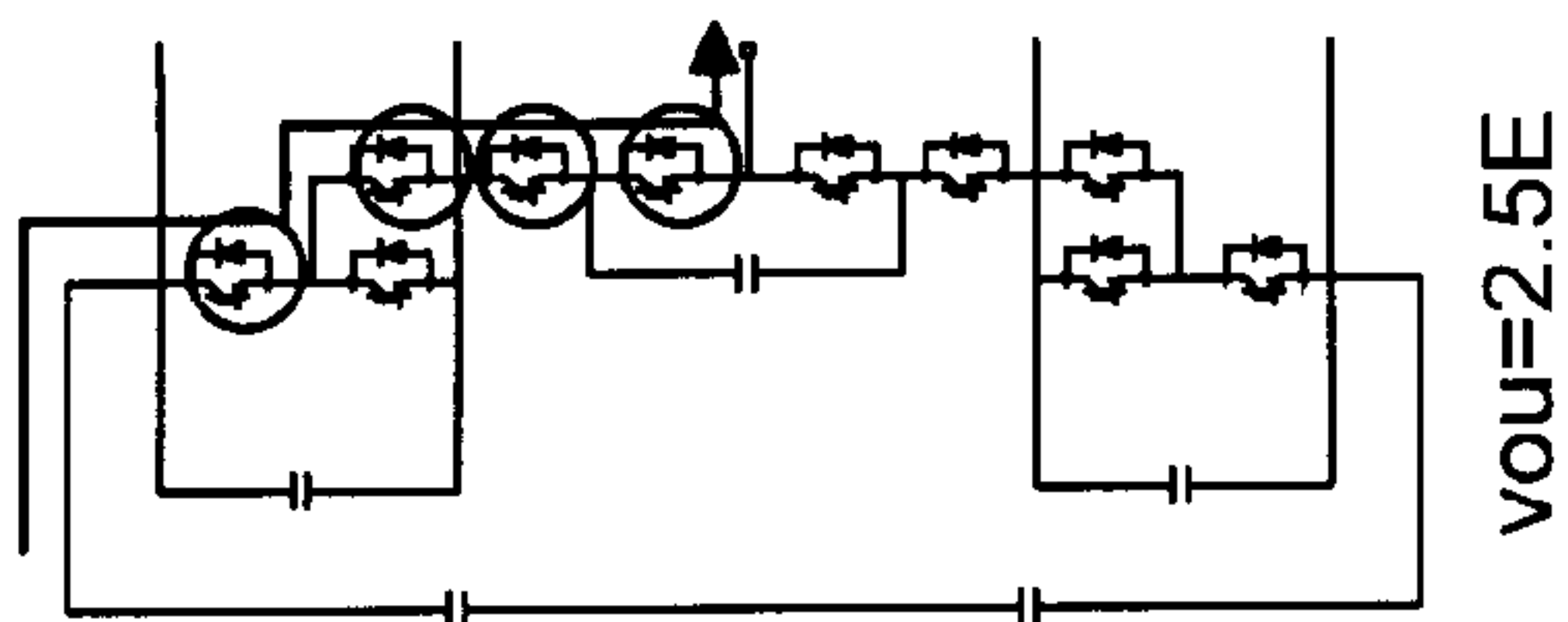
$v_{Ou}=-2.5E$



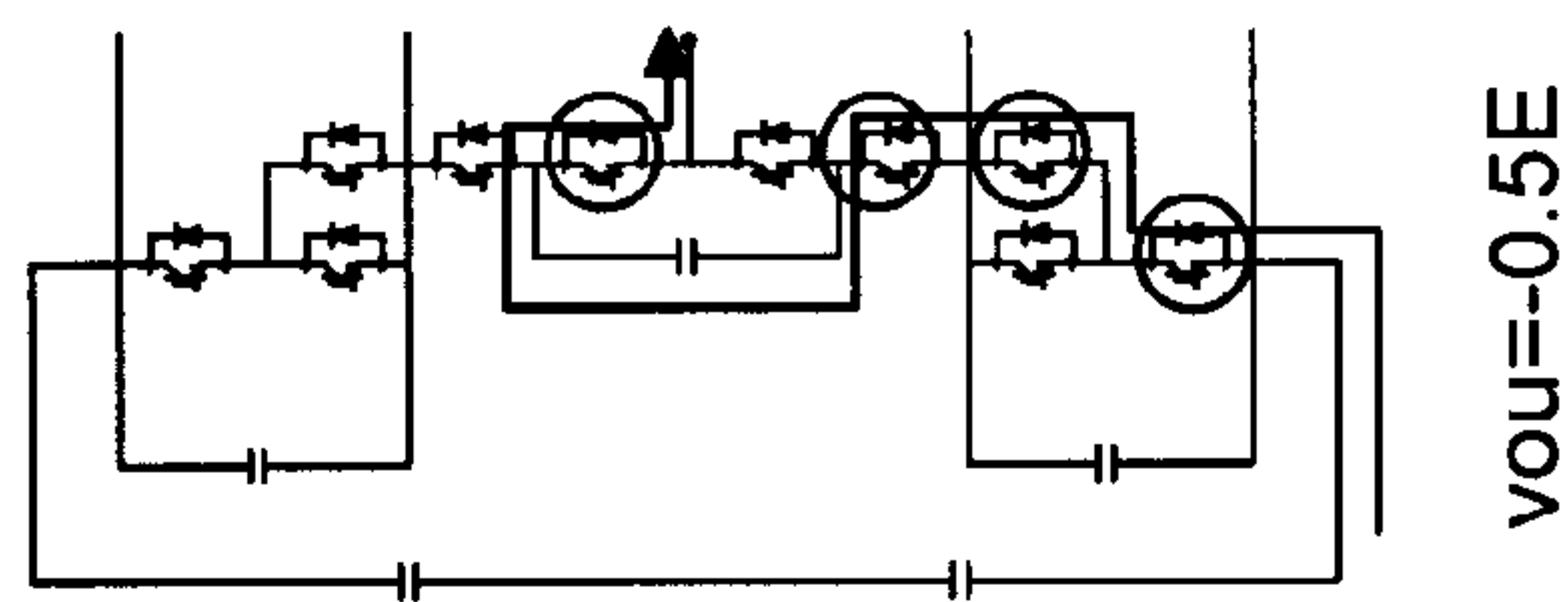
$v_{Ou}=1.5E$



$v_{Ou}=-1.5E$



$v_{Ou}=2.5E$



$v_{Ou}=-0.5E$

FIG. 5

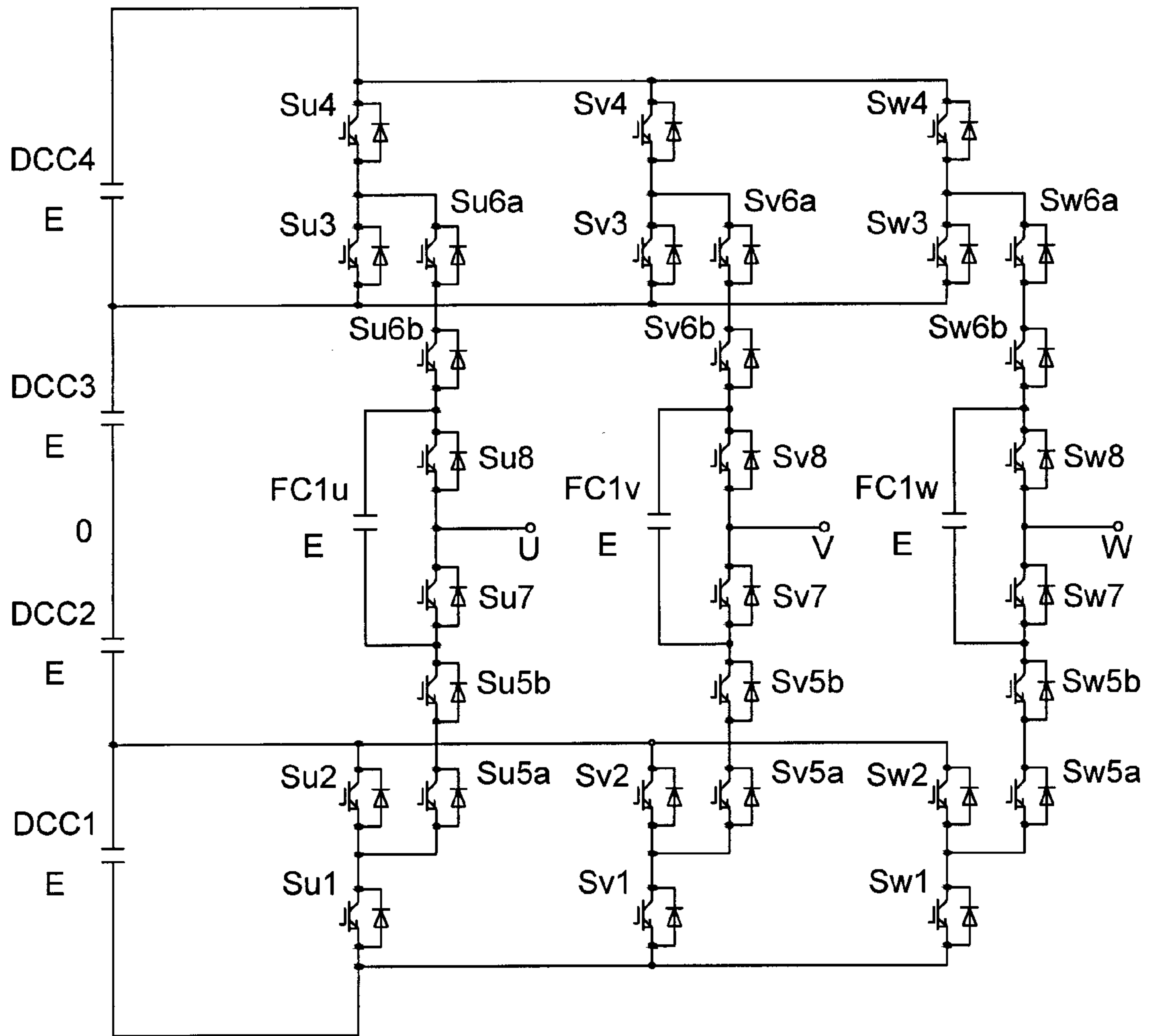


FIG. 6

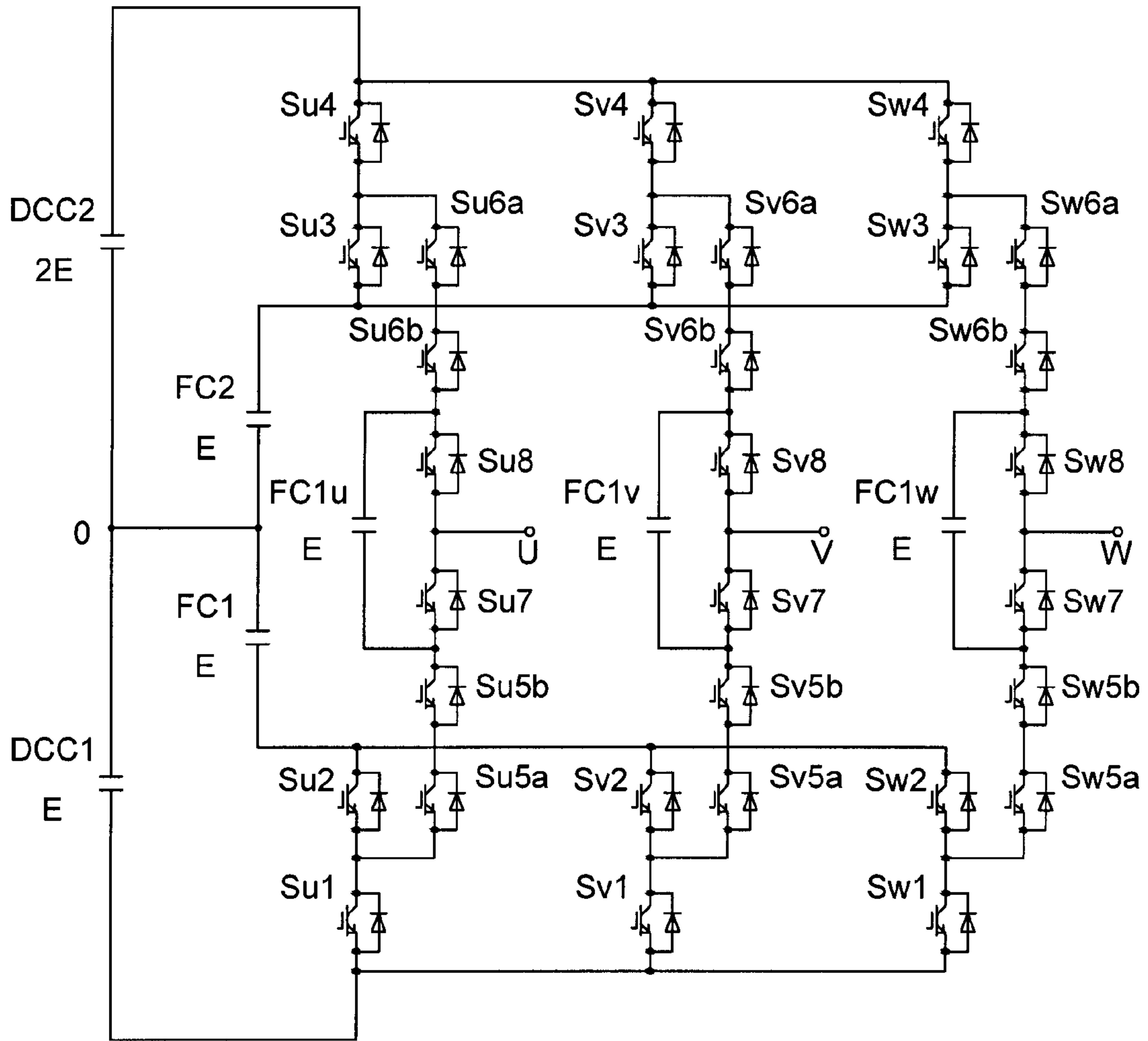


FIG. 7

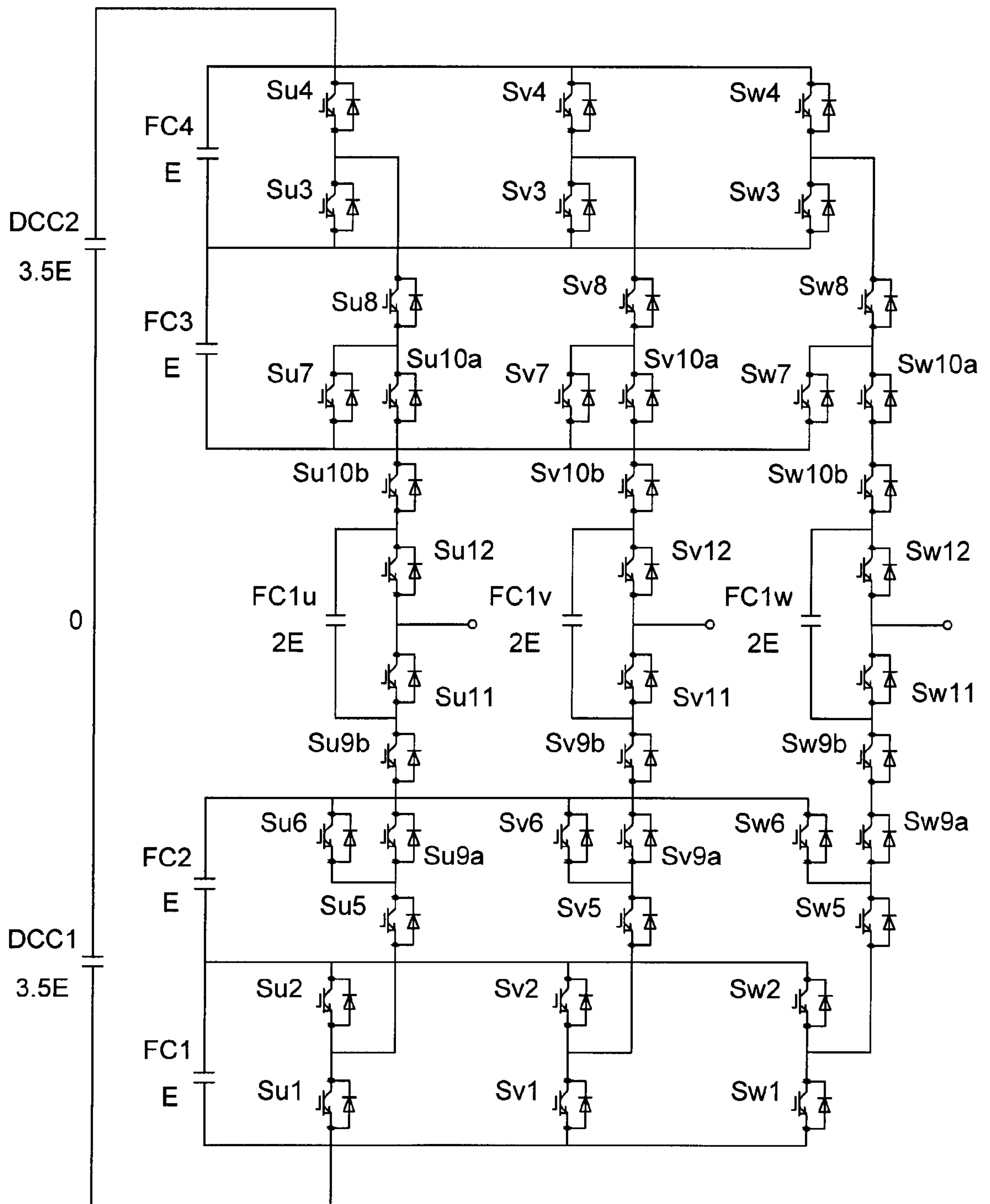


FIG. 8

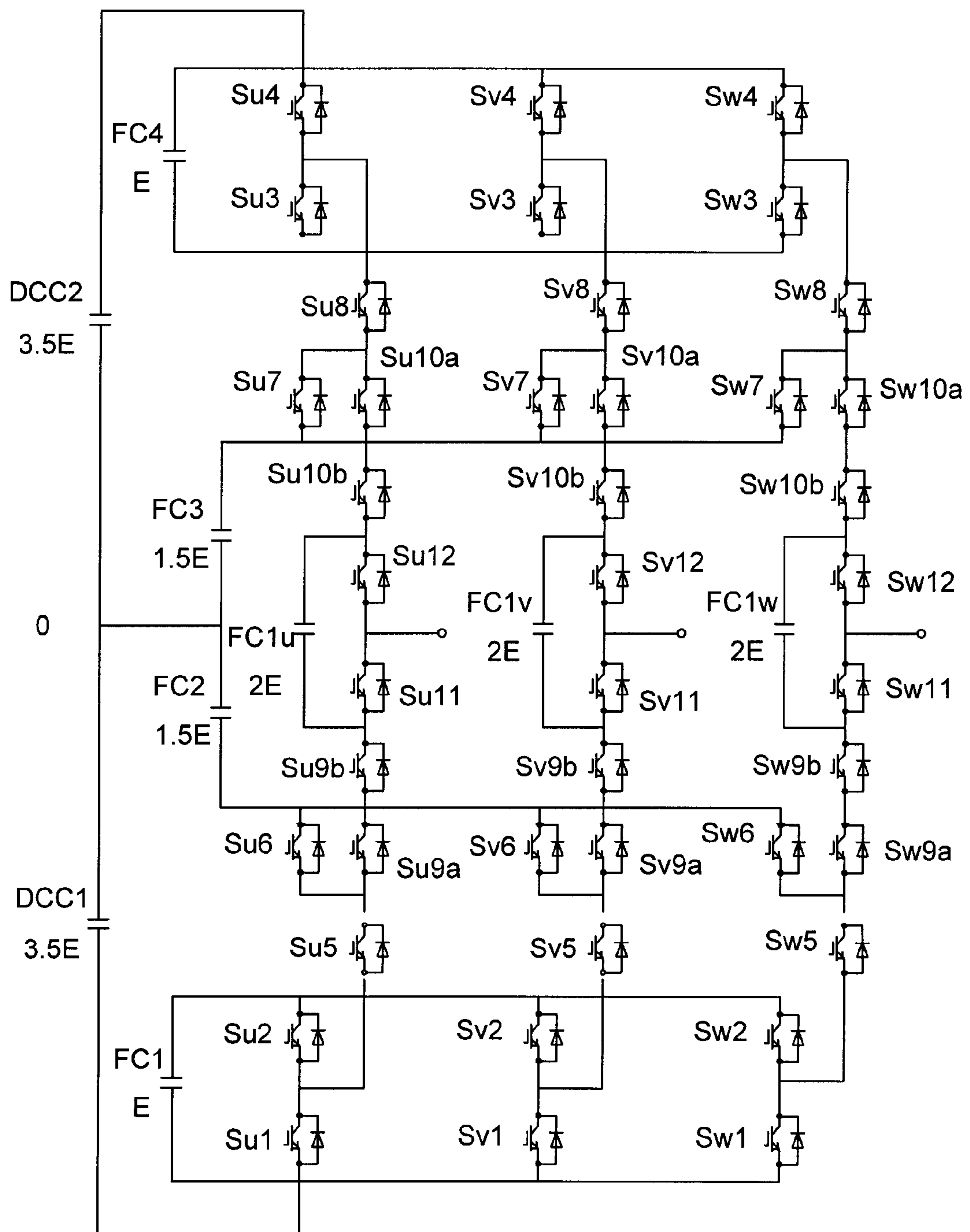


FIG. 9

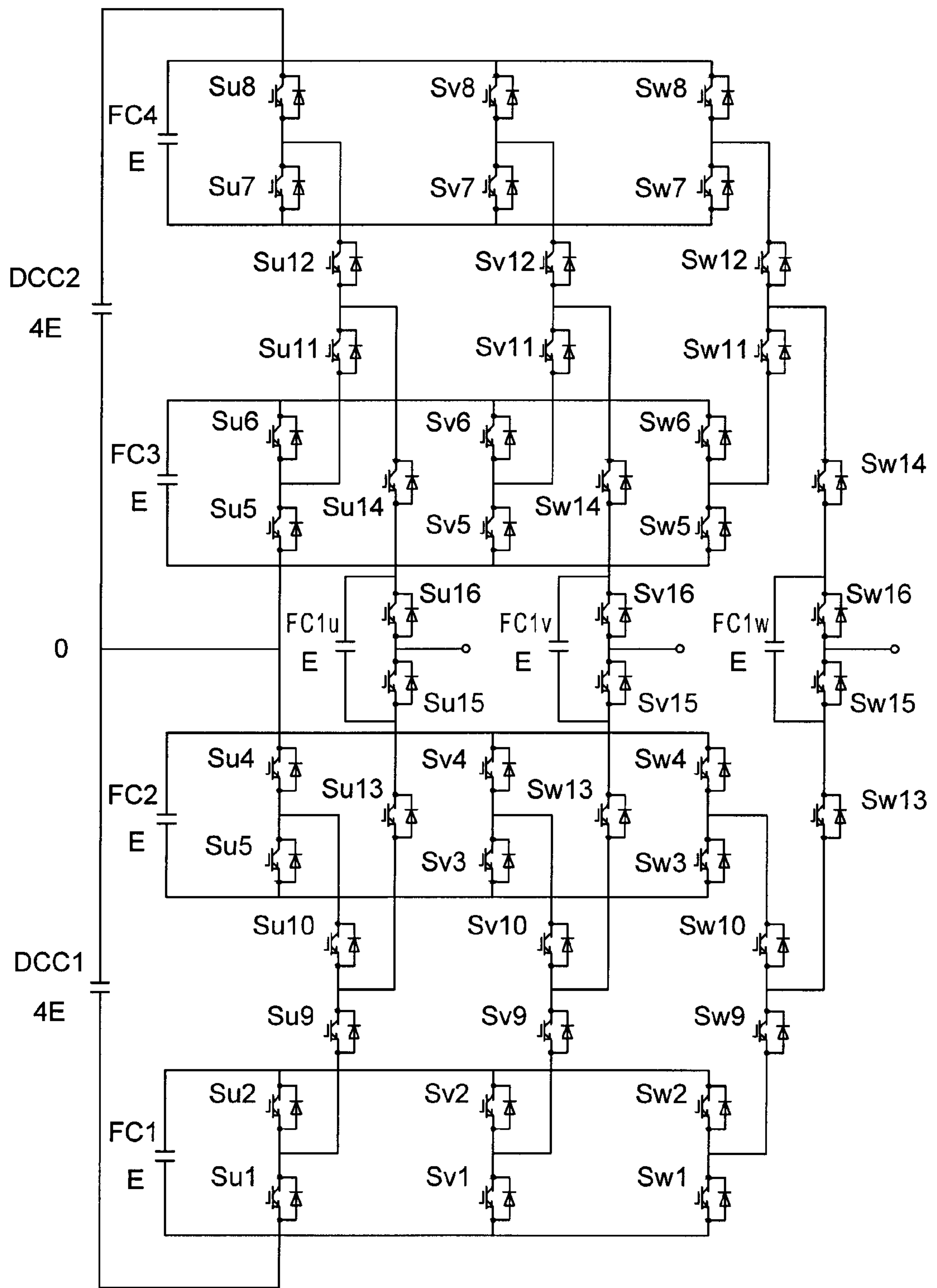


FIG. 10

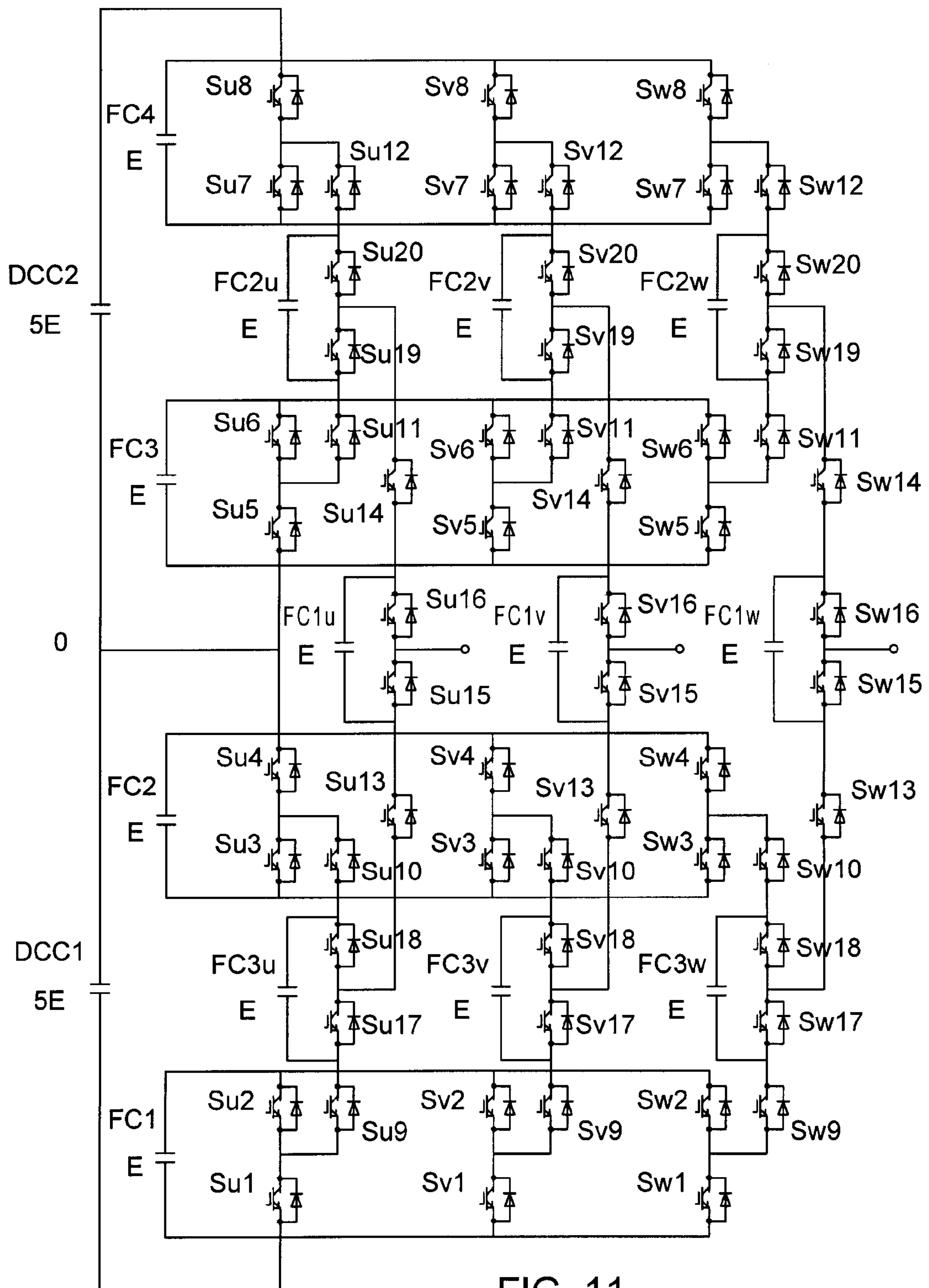


FIG. 11

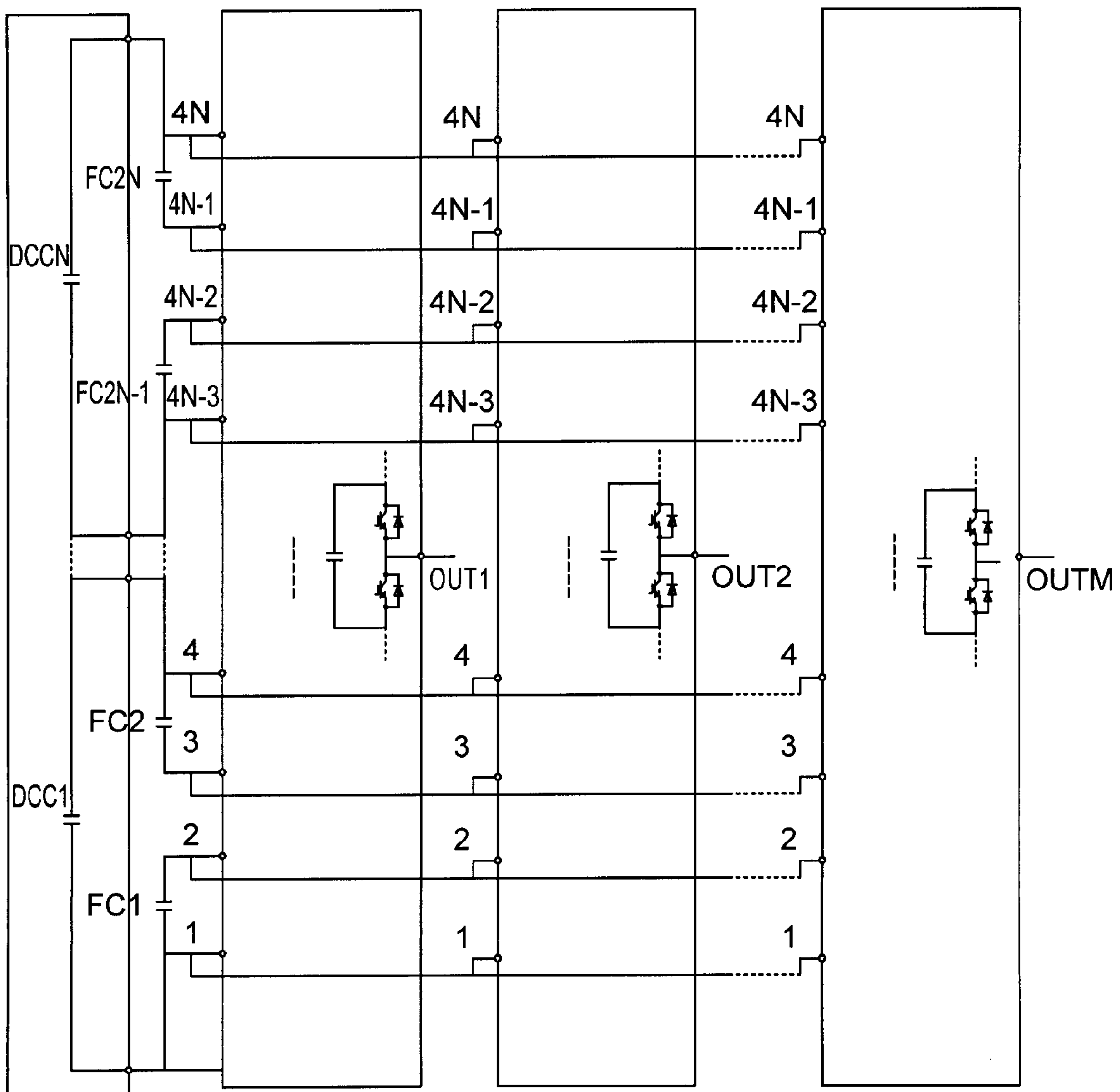


FIG. 12

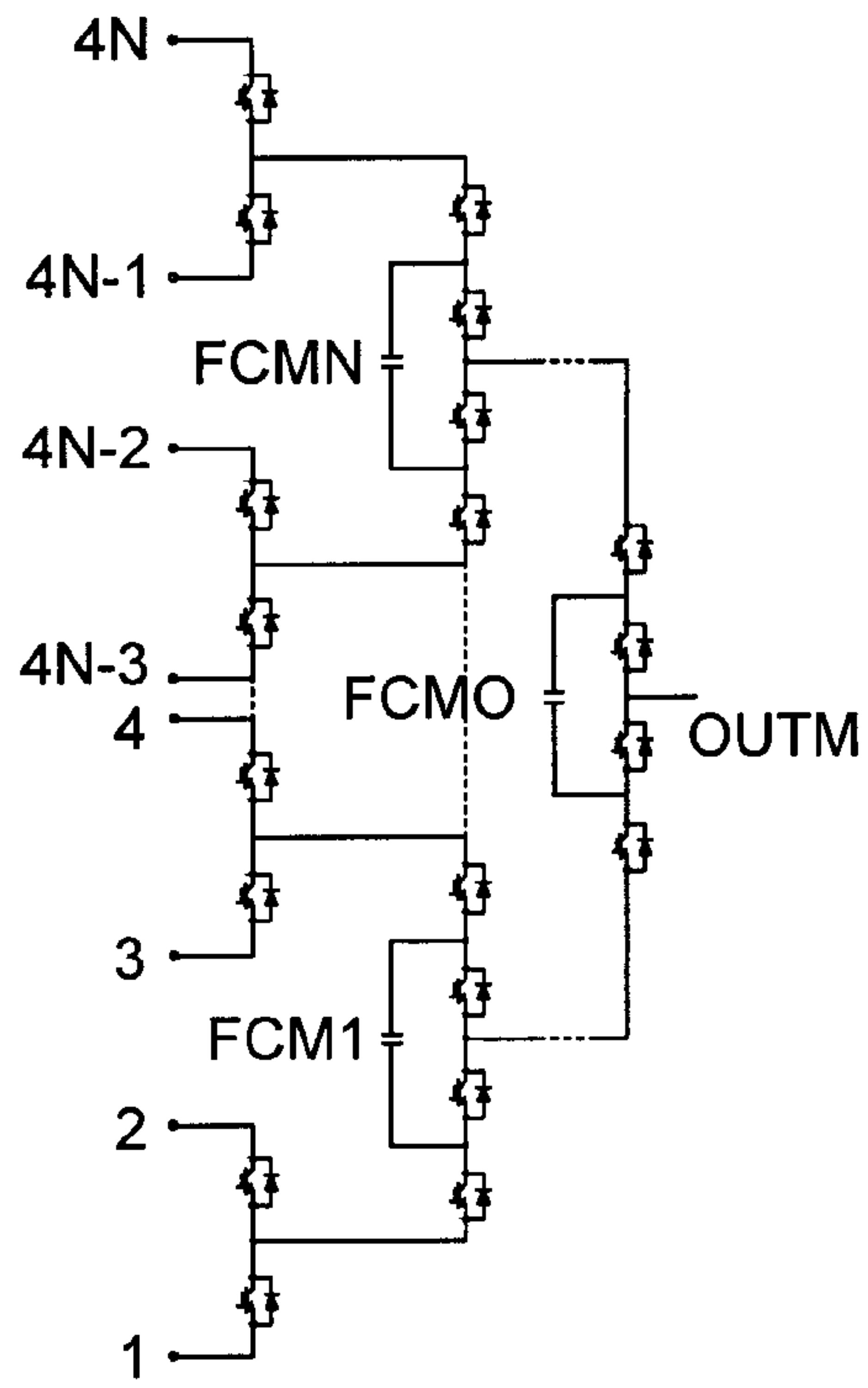


FIG. 13a

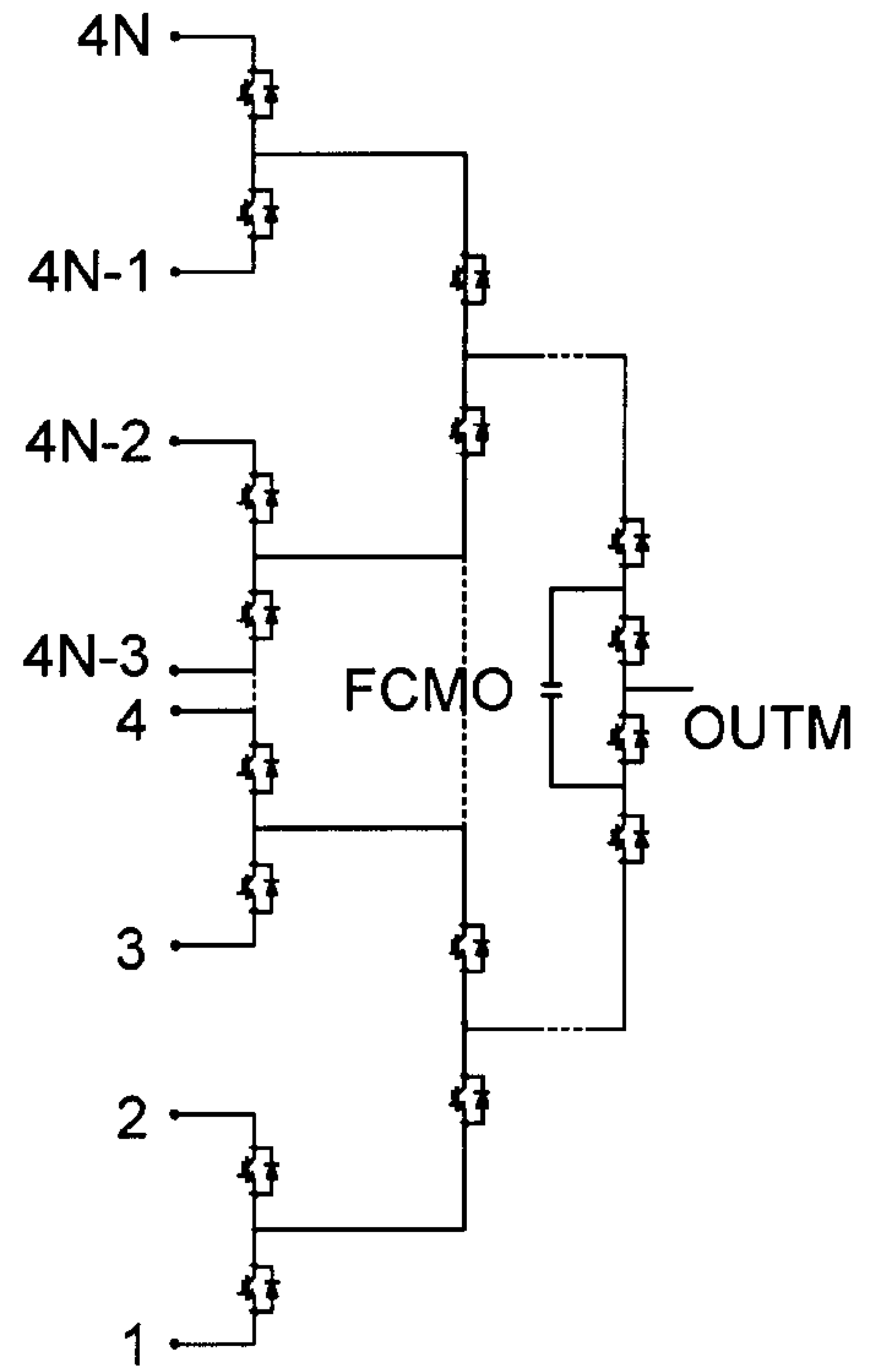


FIG. 13a

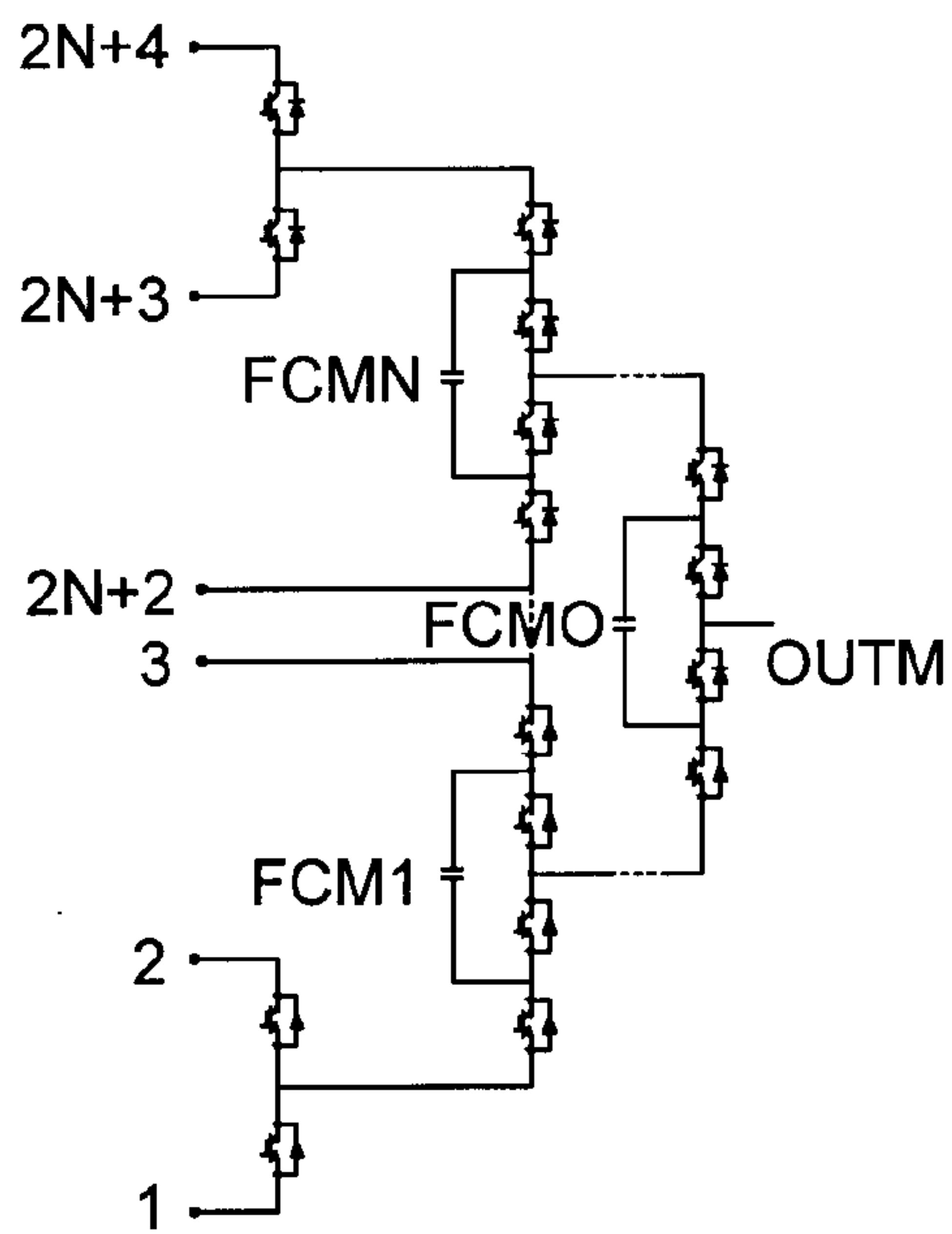


FIG. 13c

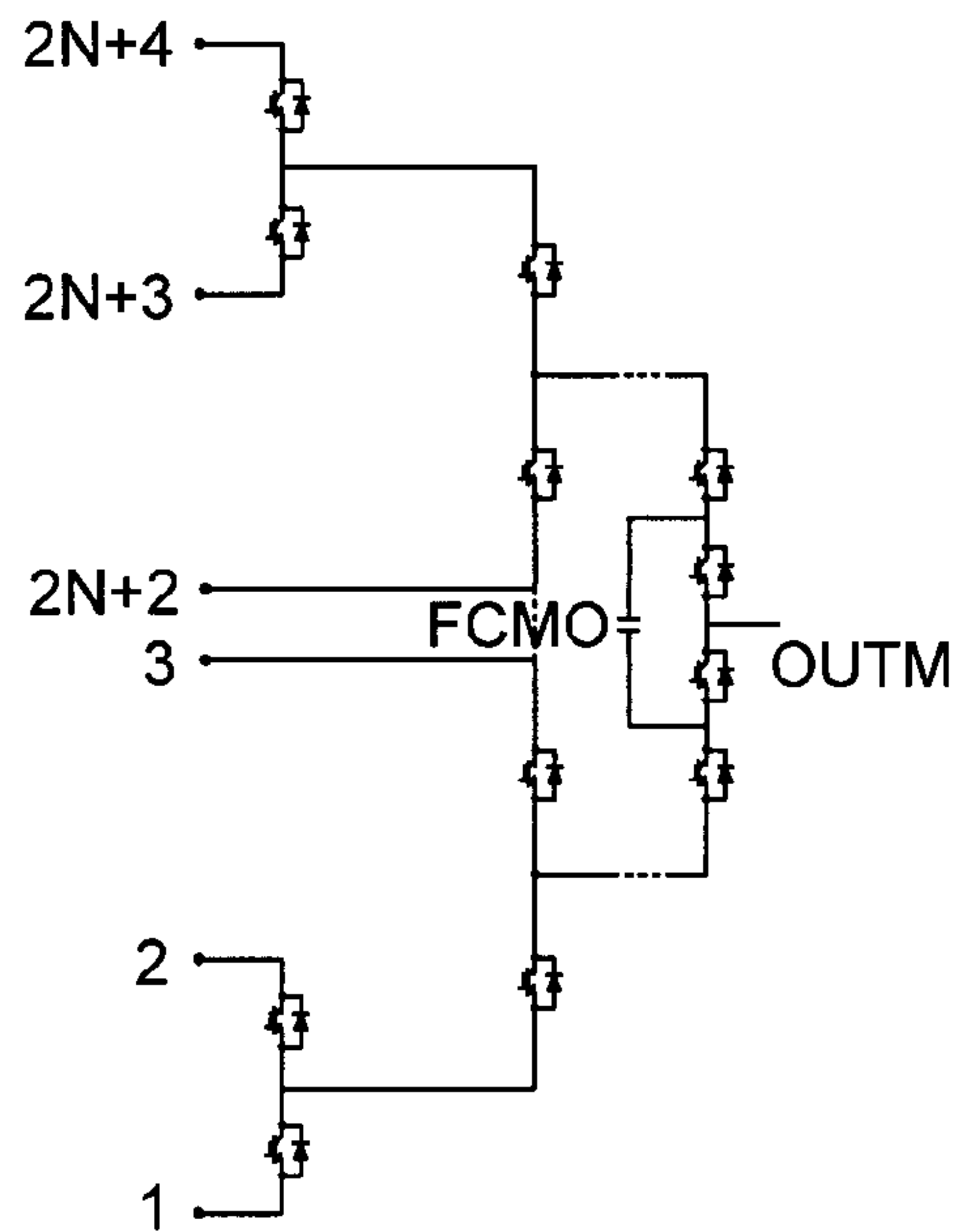


FIG. 13d

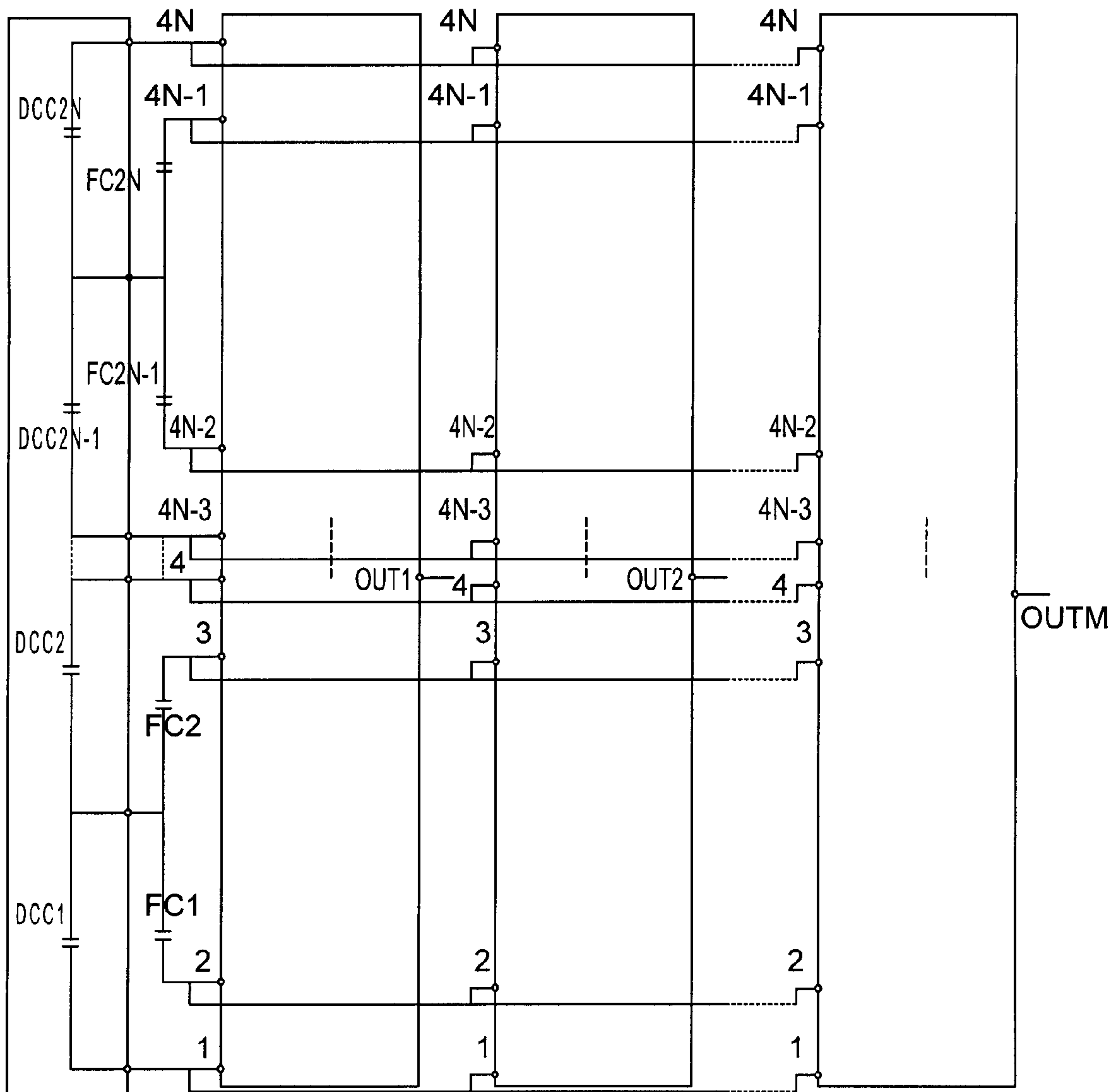


FIG. 14

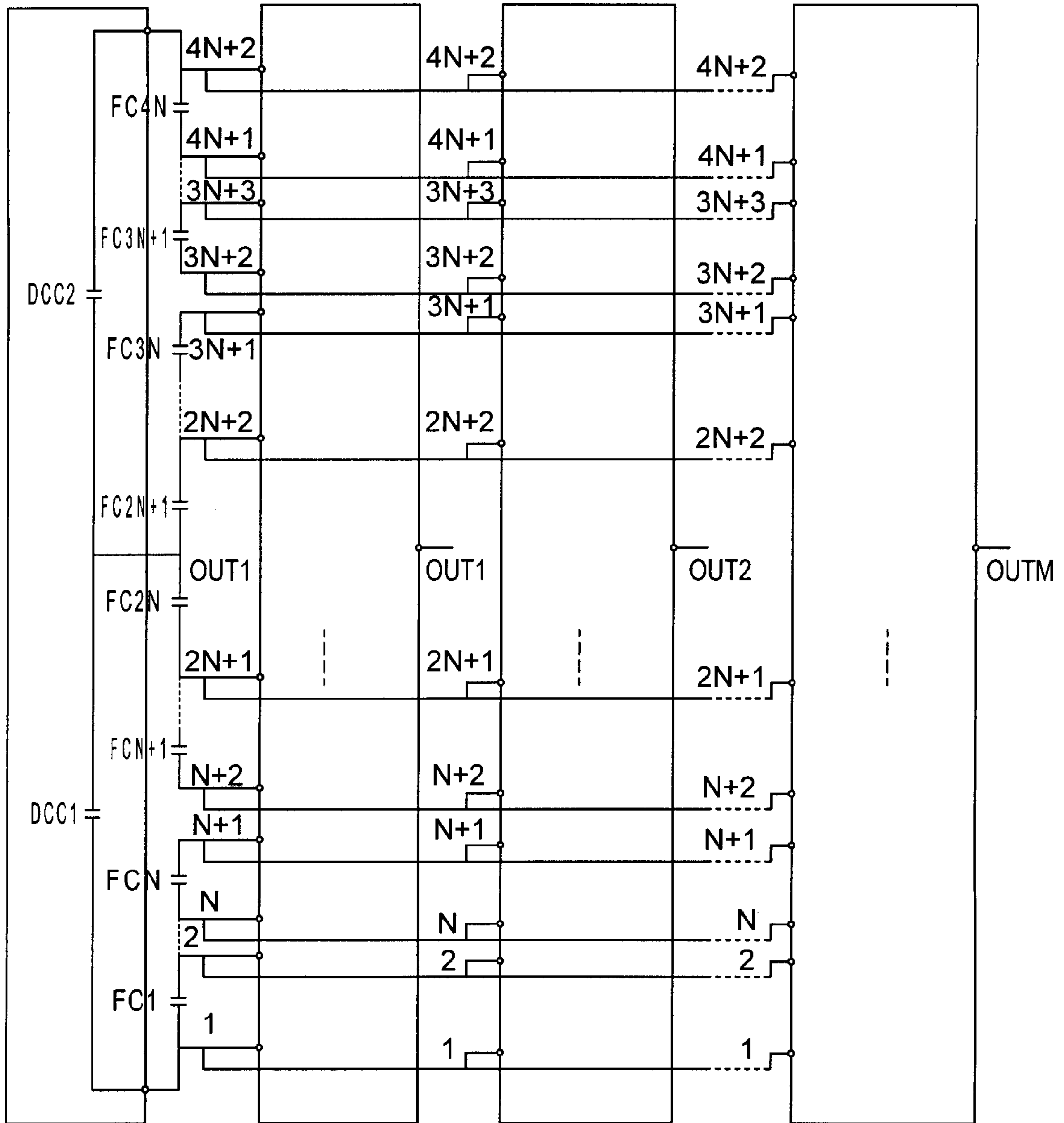


FIG. 15

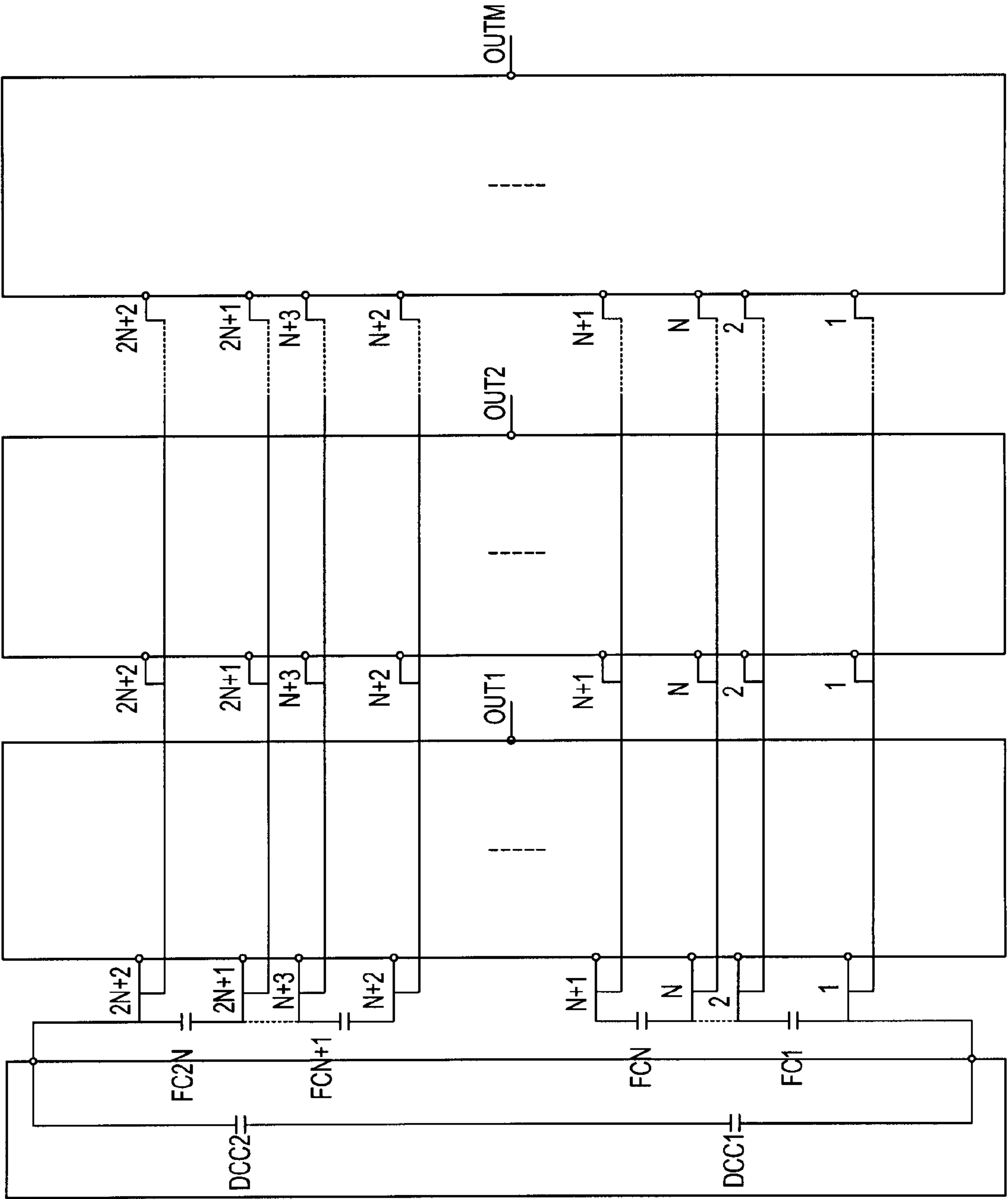


FIG. 16

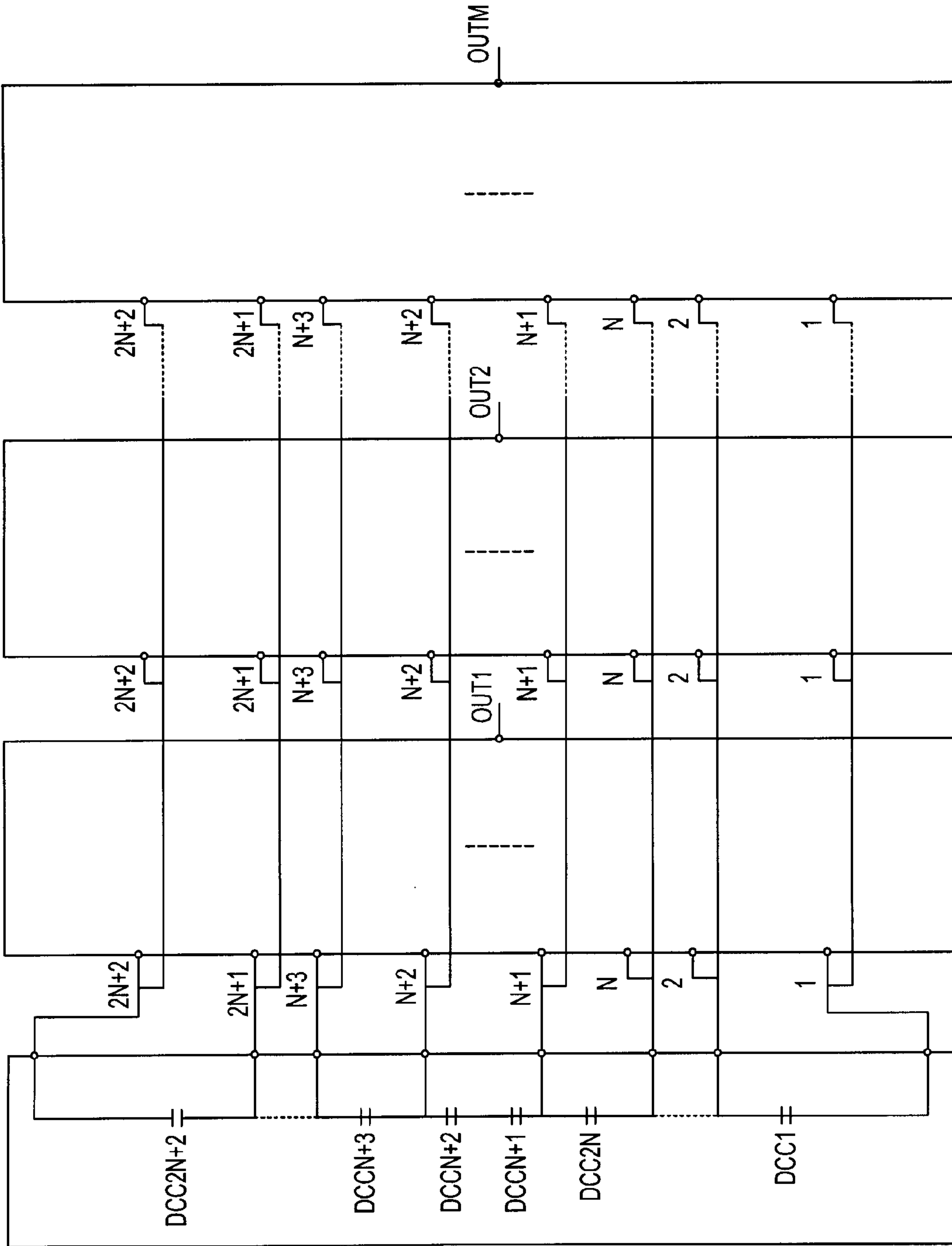


FIG. 17

FIG. 18

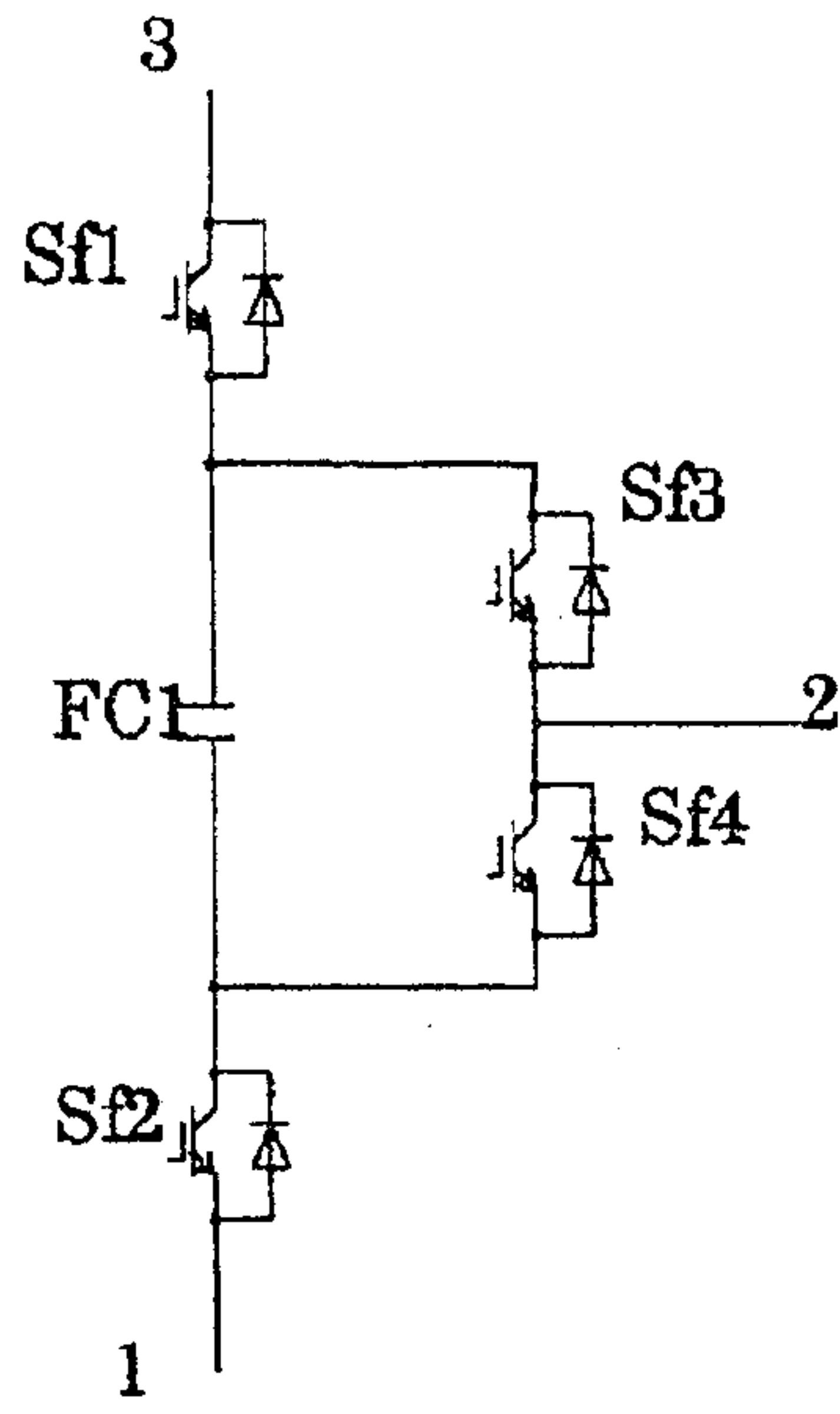
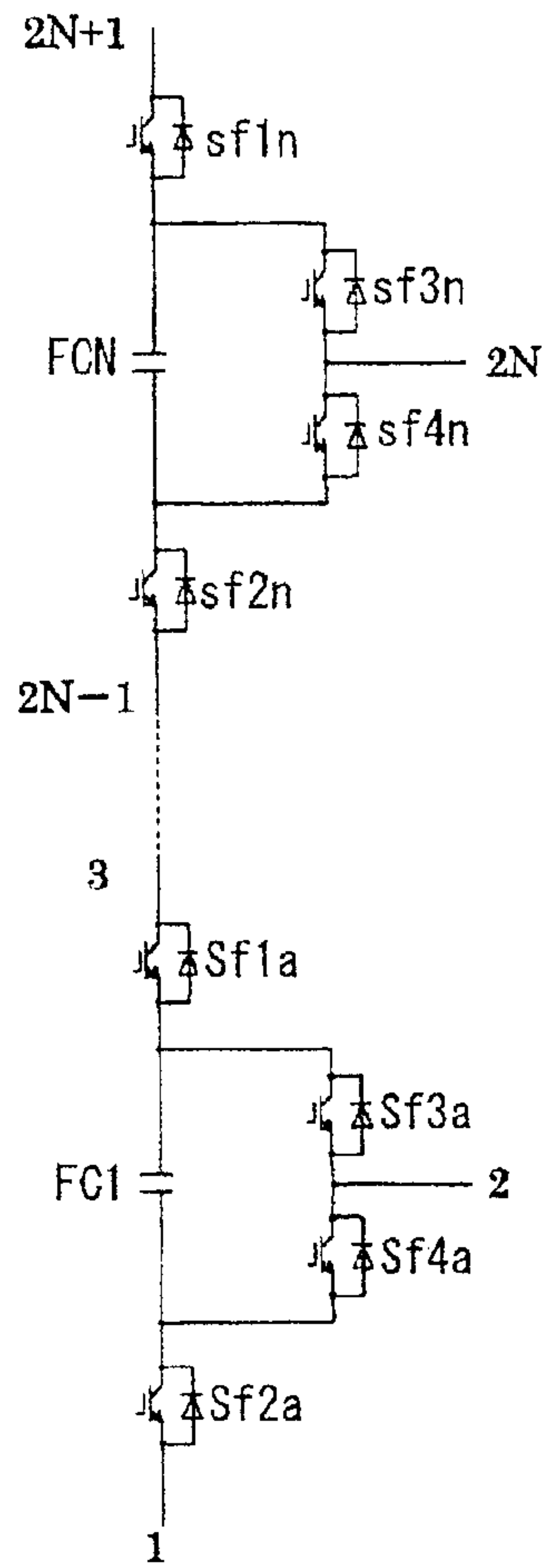


FIG. 19



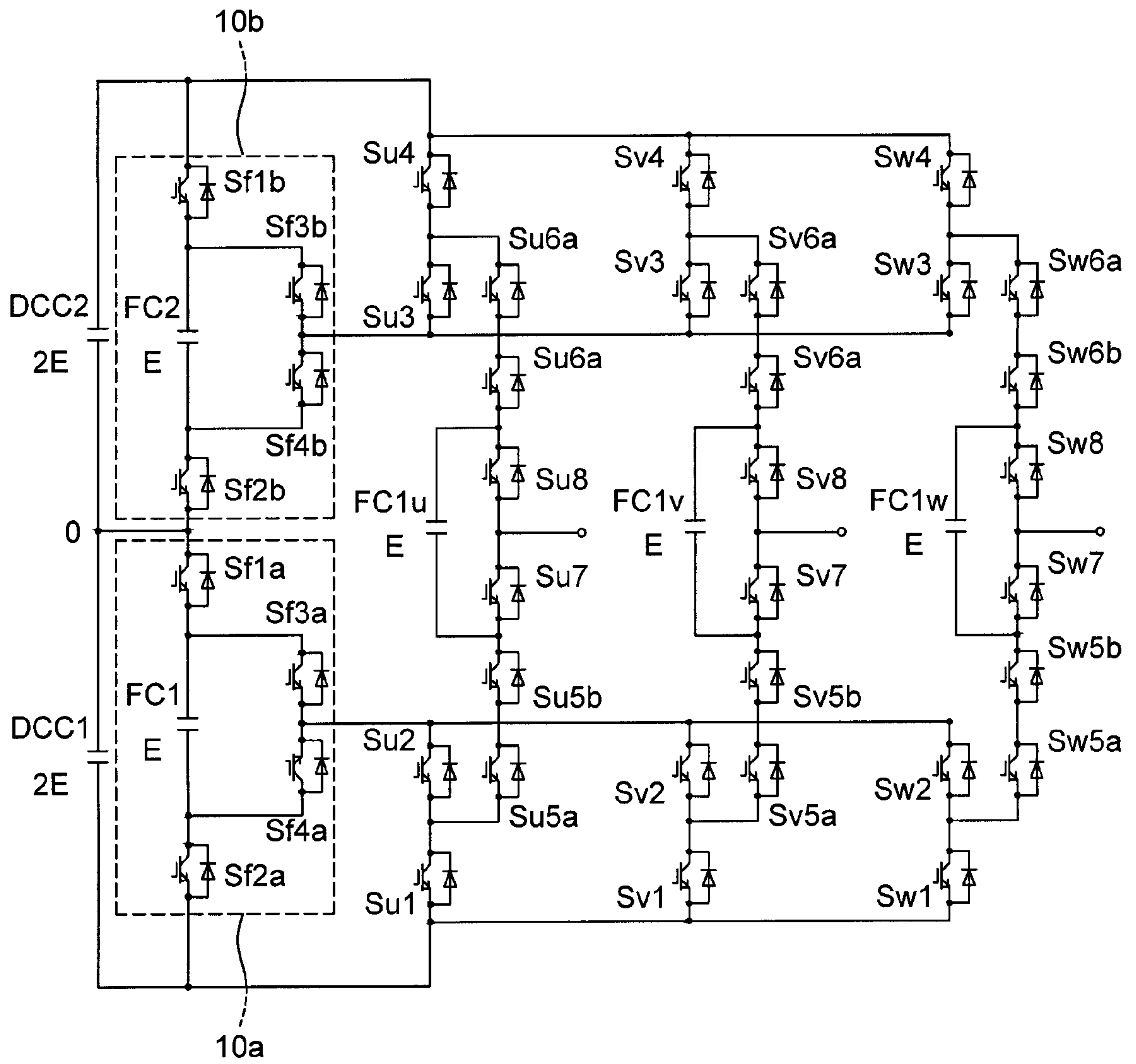


FIG. 20

FIG. 21a

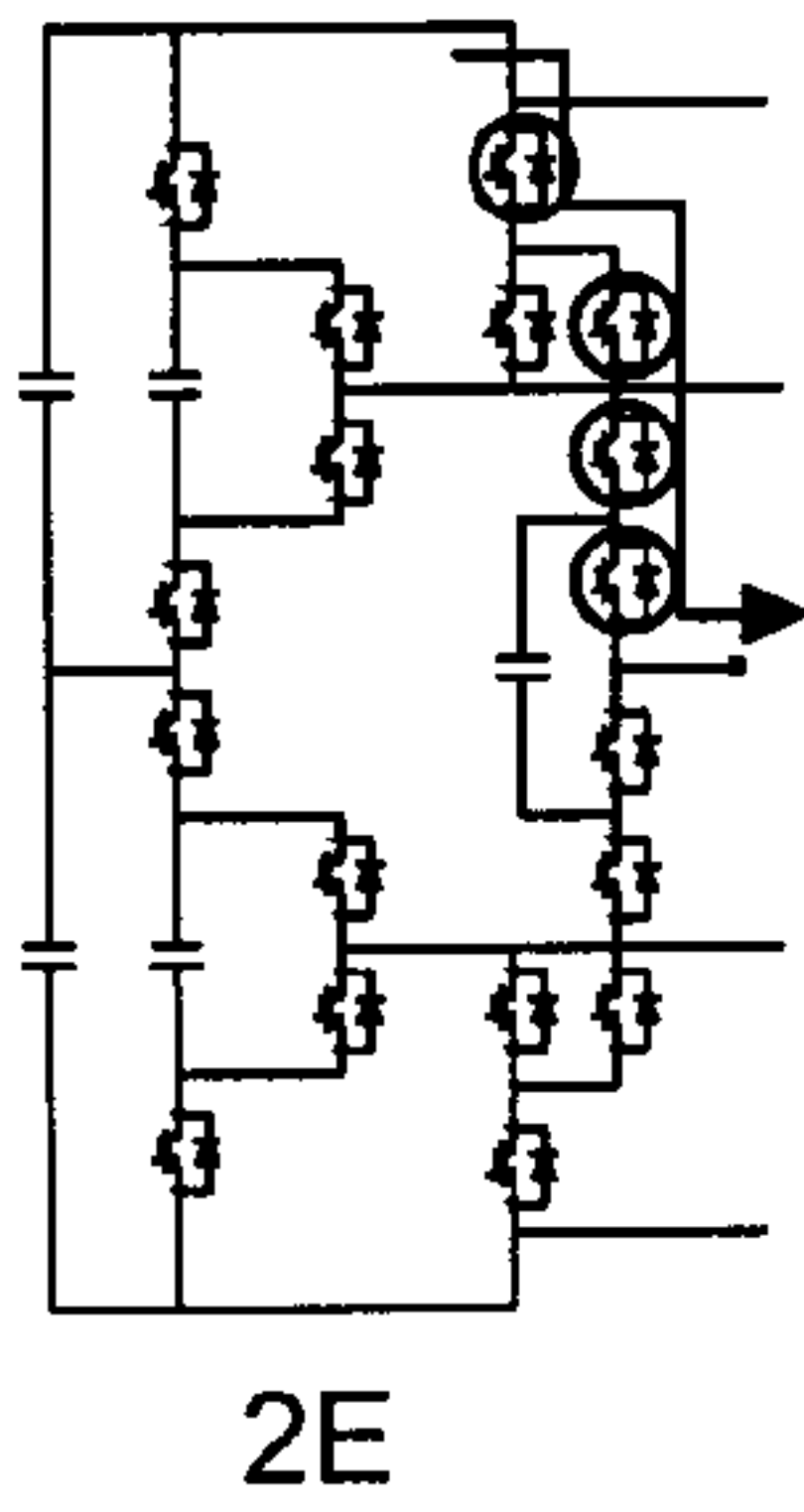


FIG. 21b

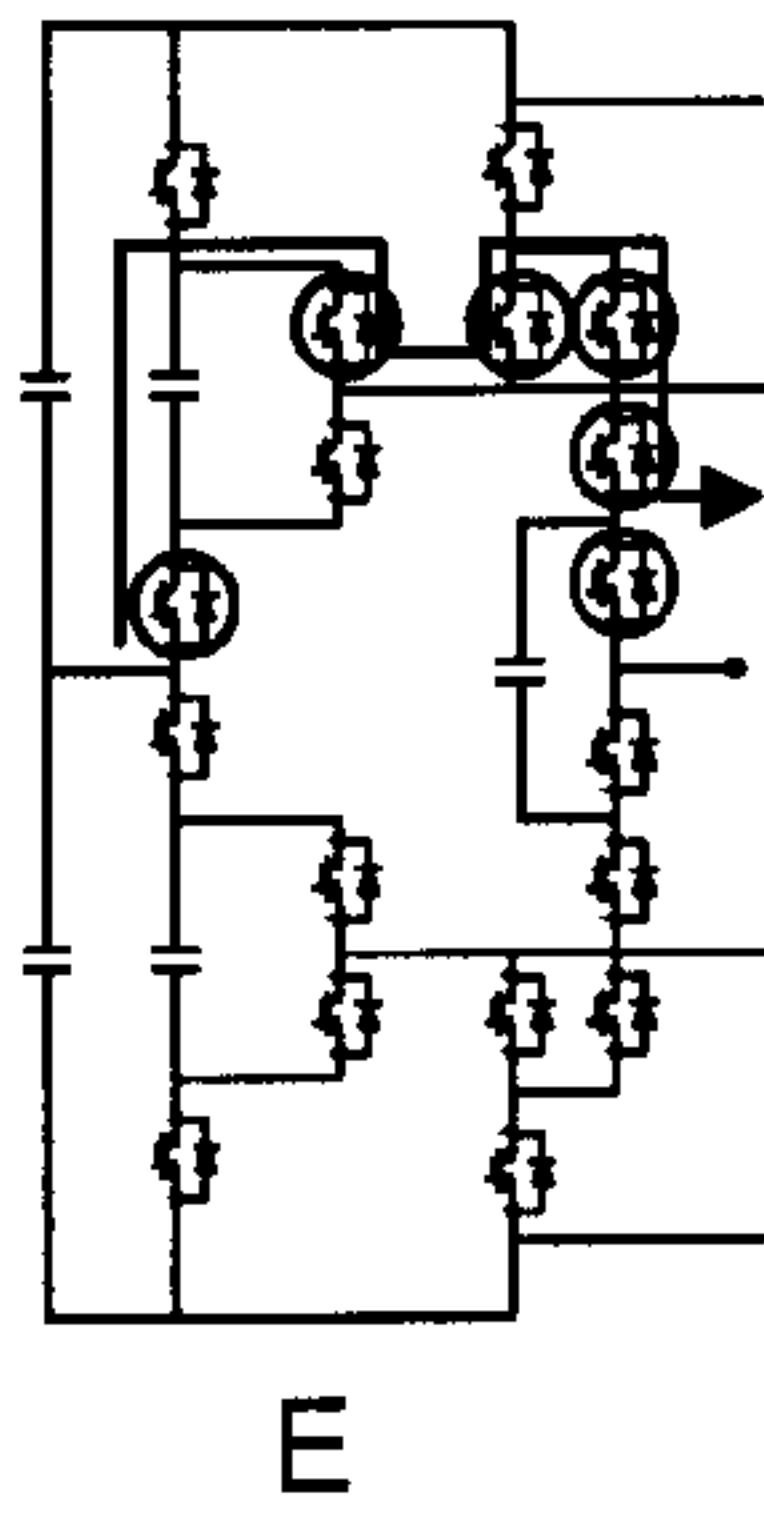


FIG. 21c

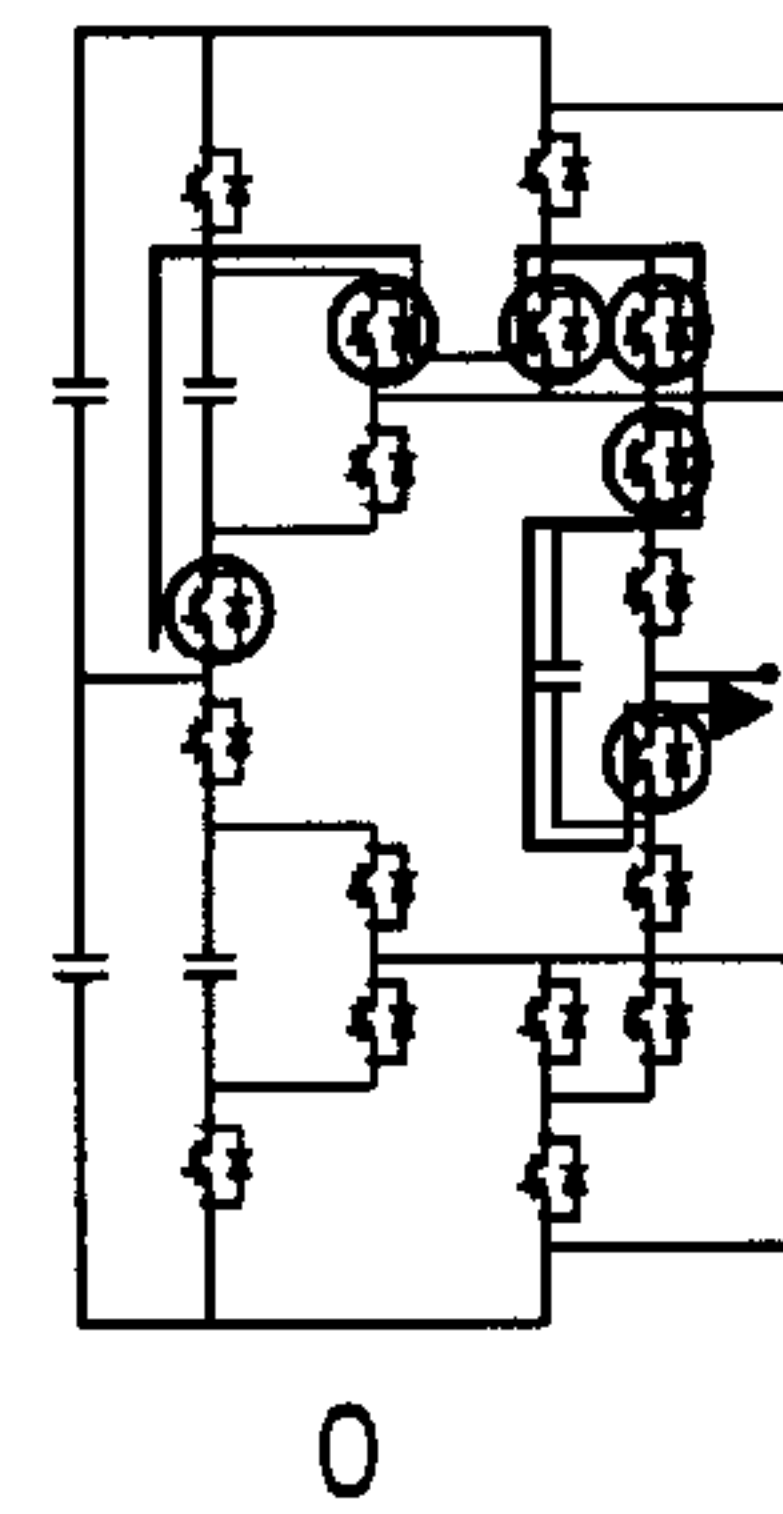


FIG. 21d

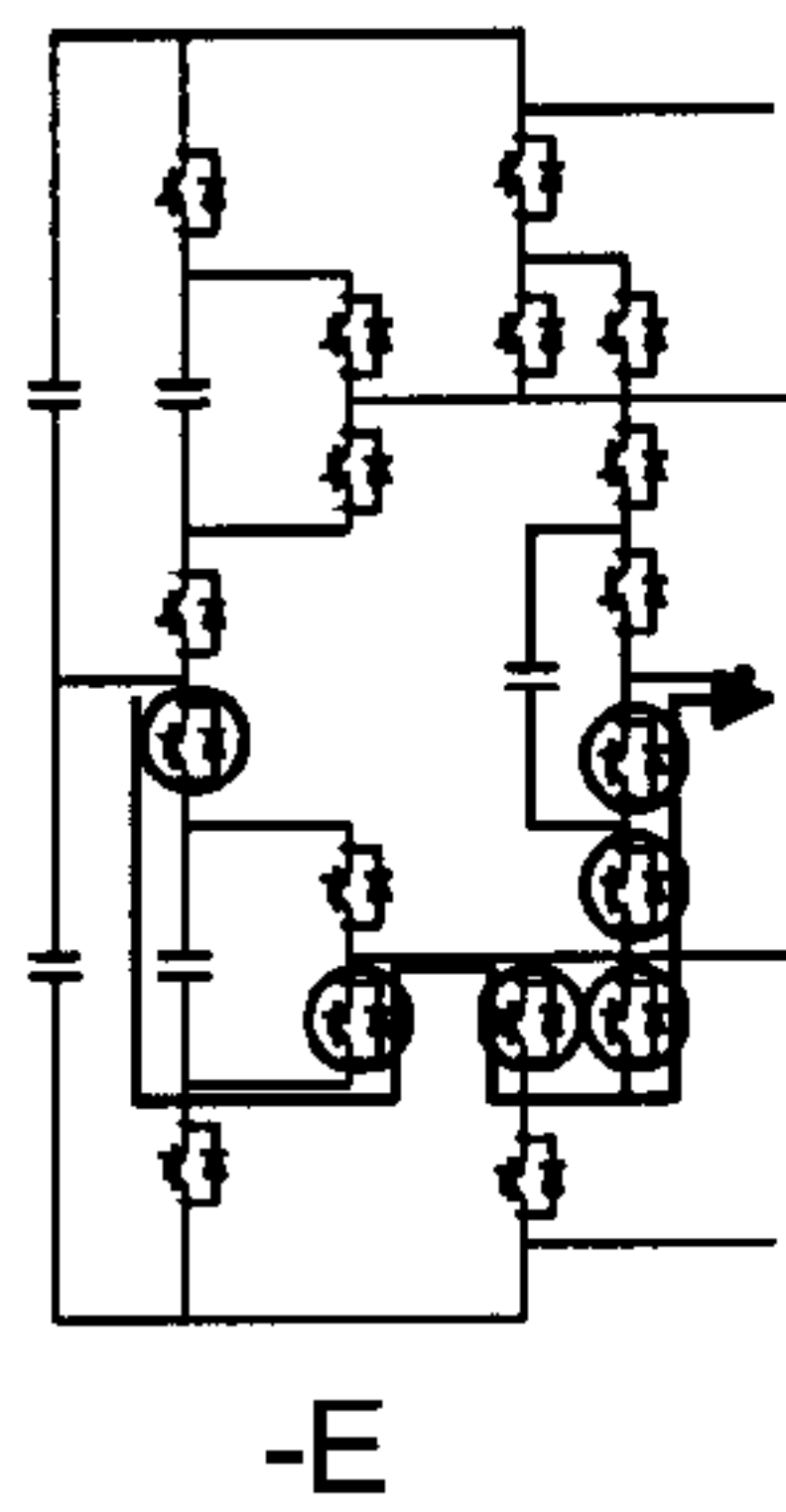


FIG. 21e

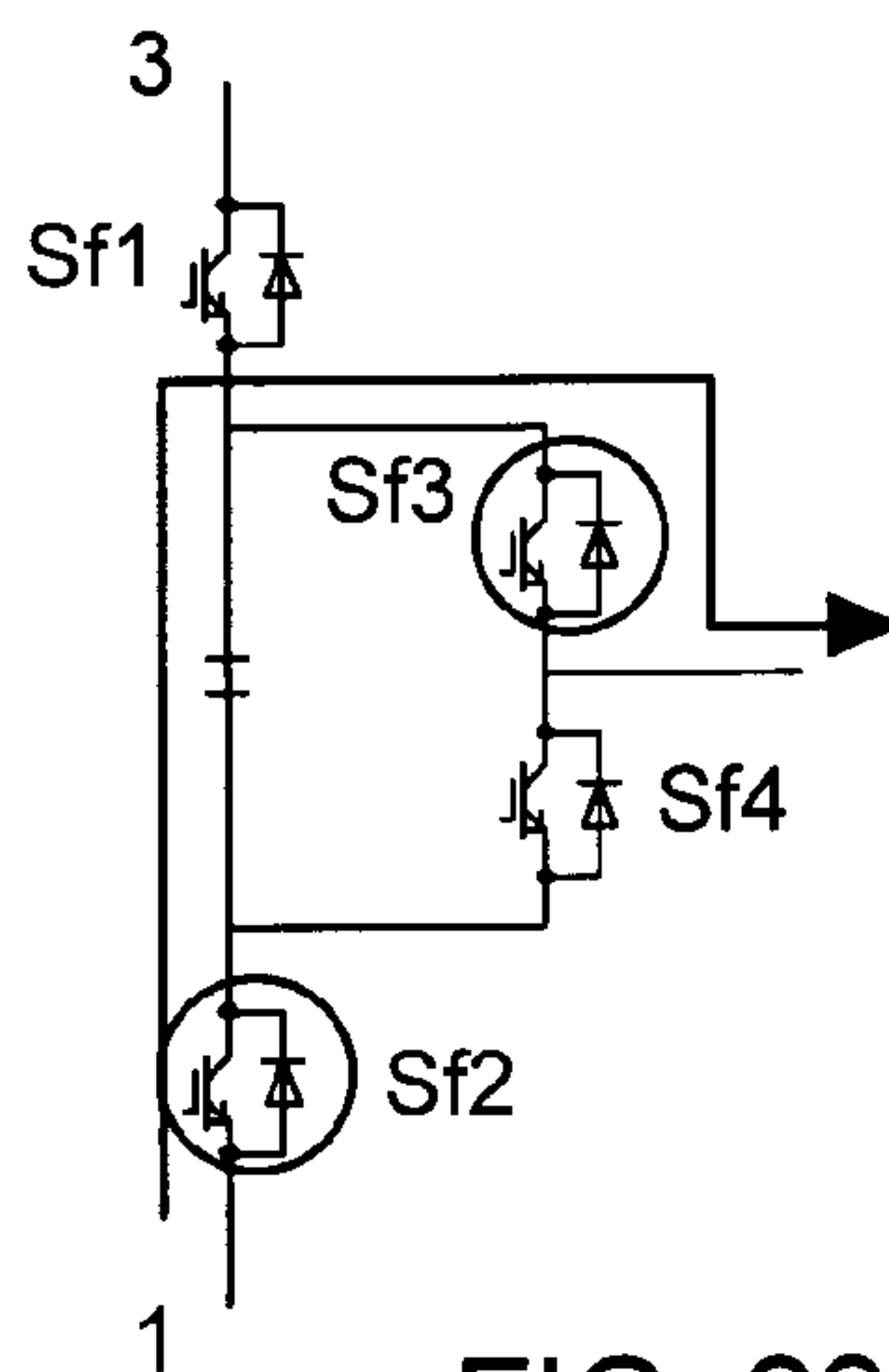
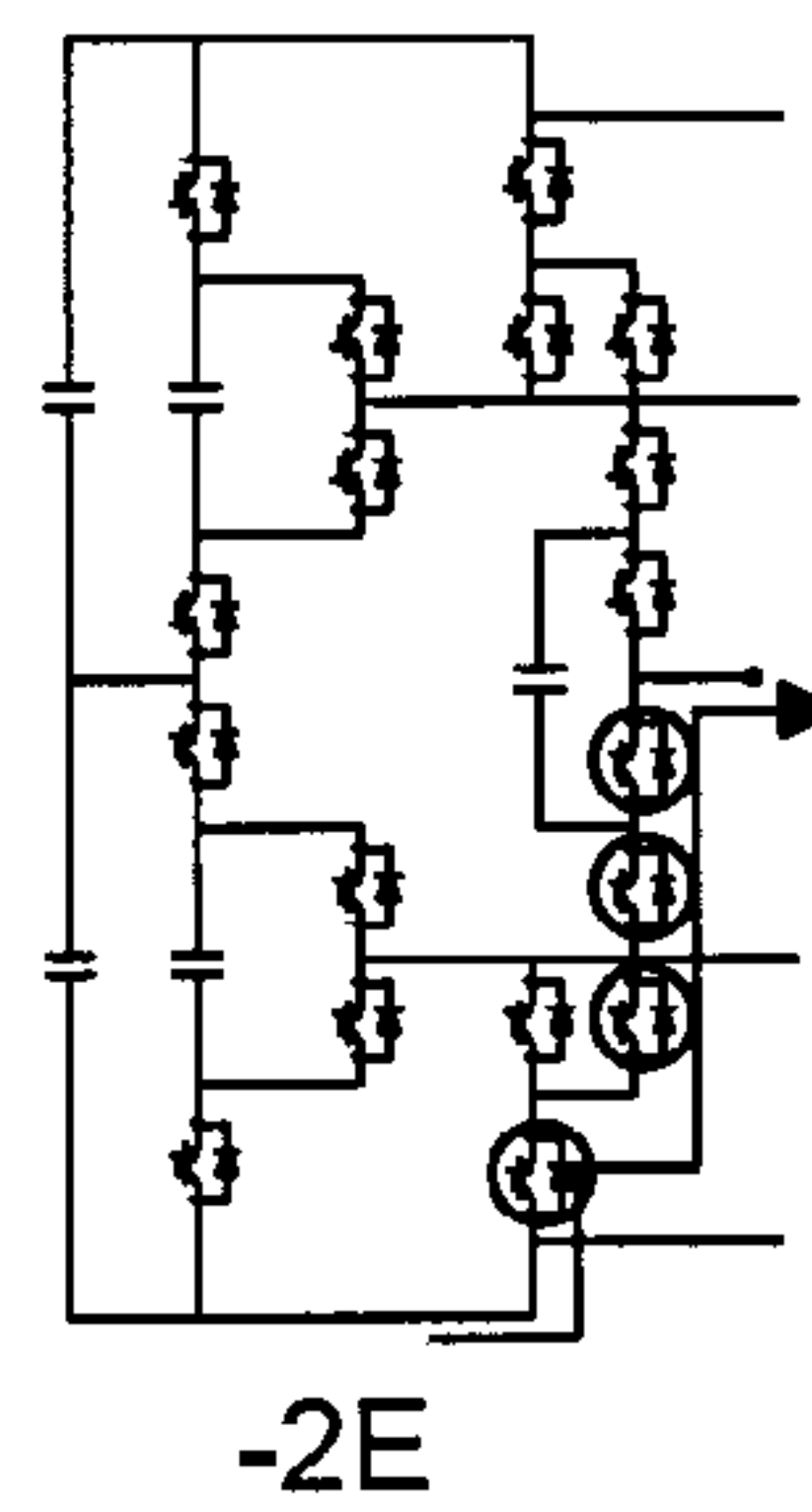


FIG. 22a

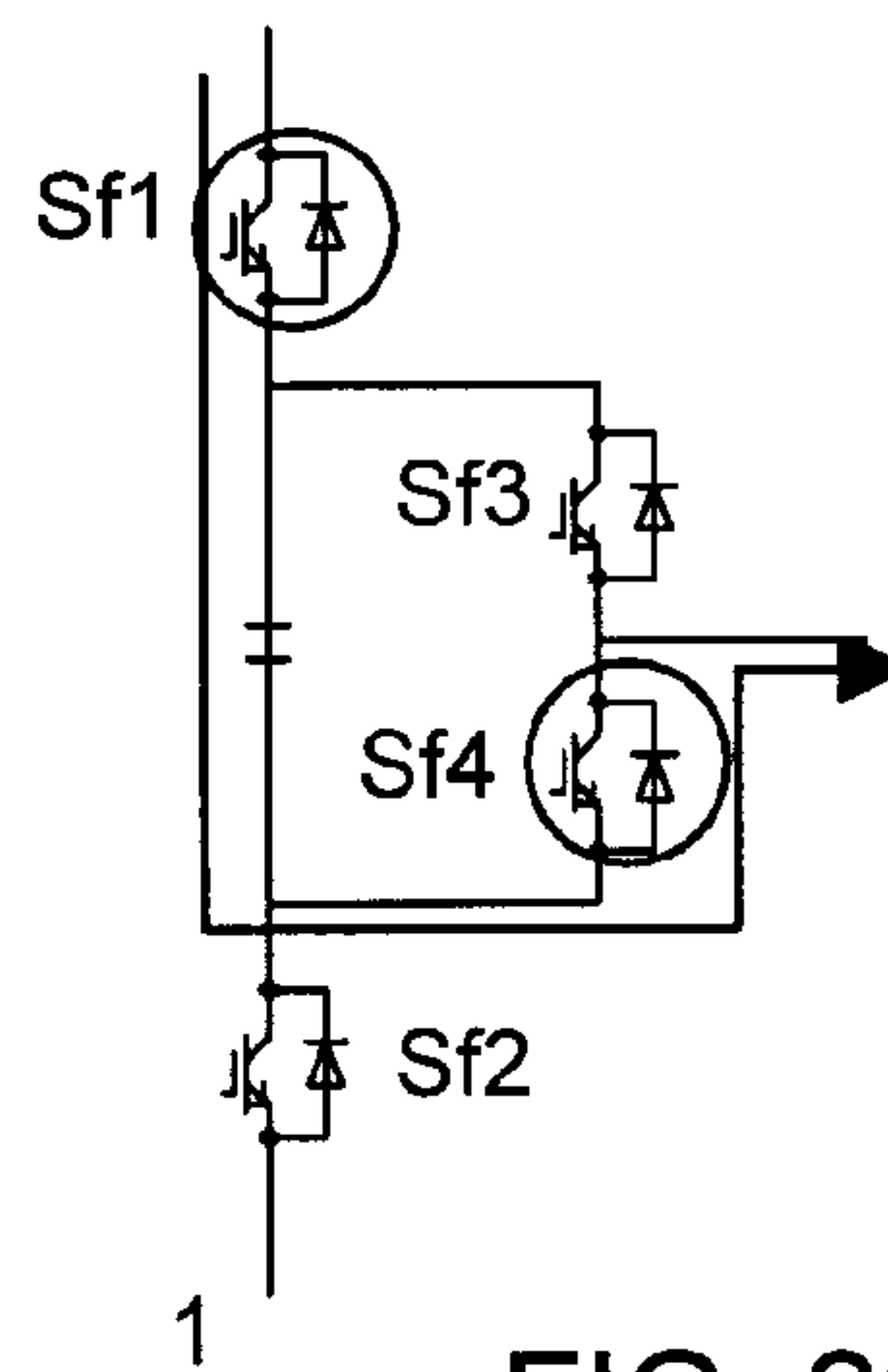


FIG. 22b

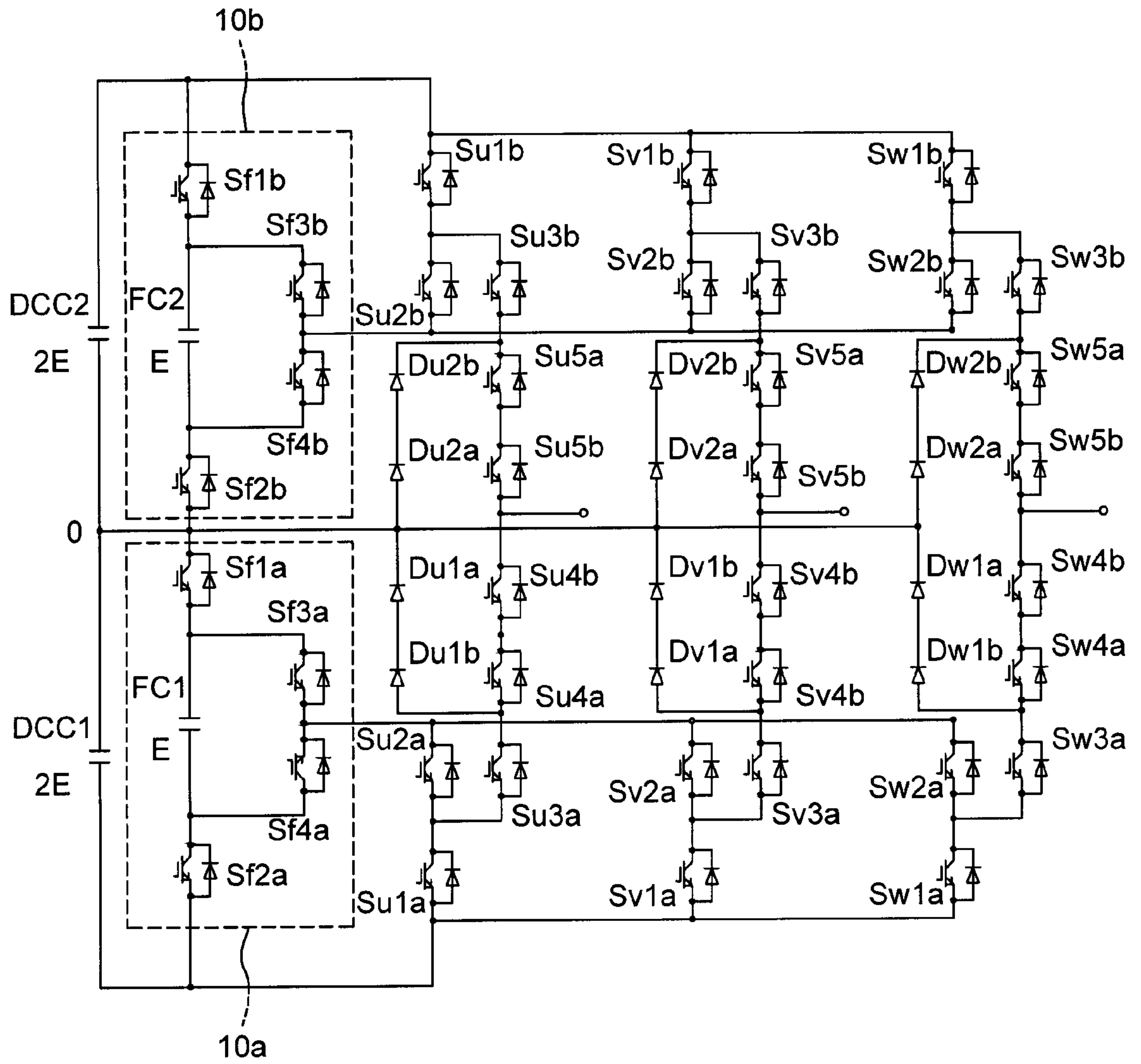


FIG. 23

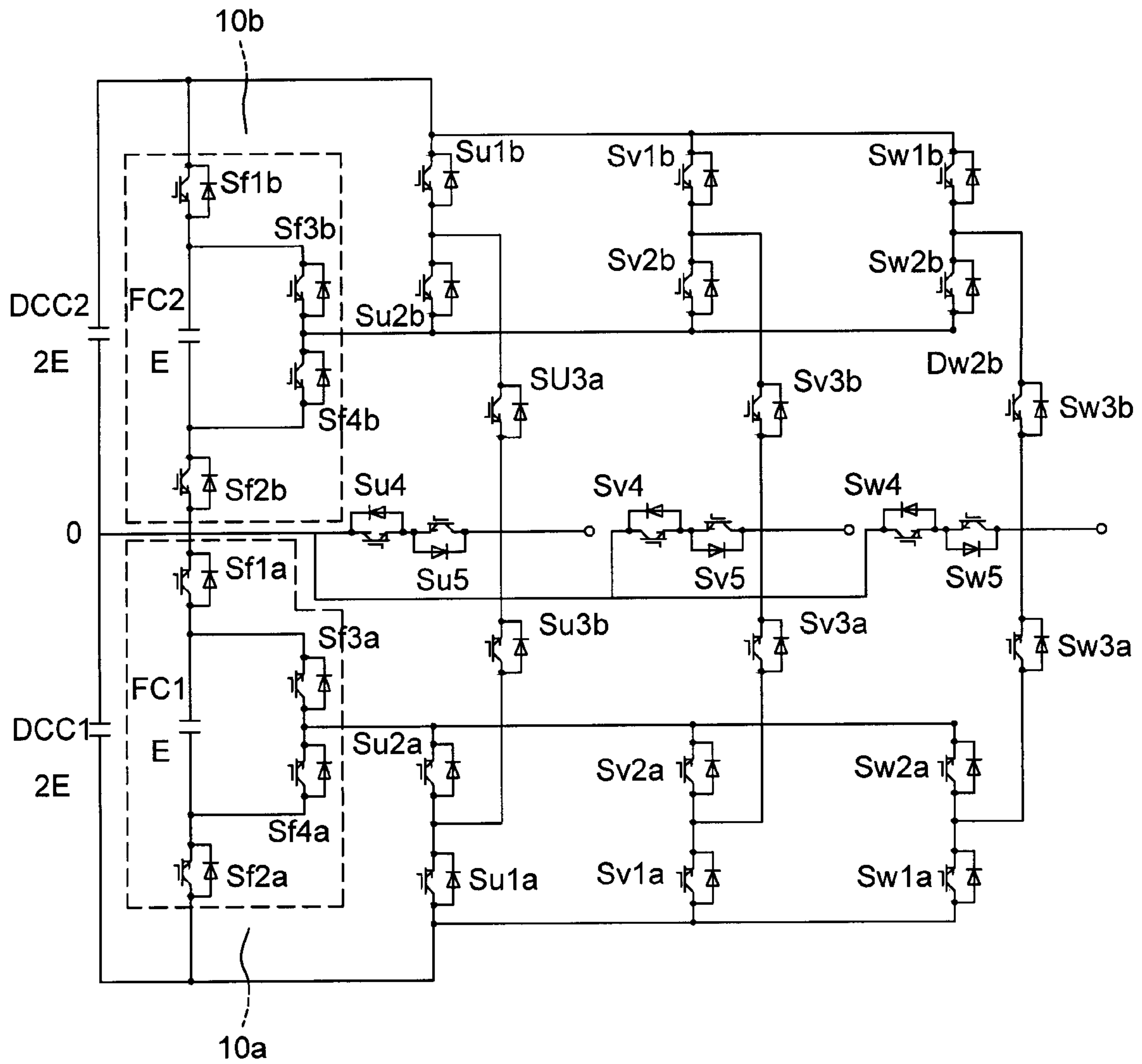
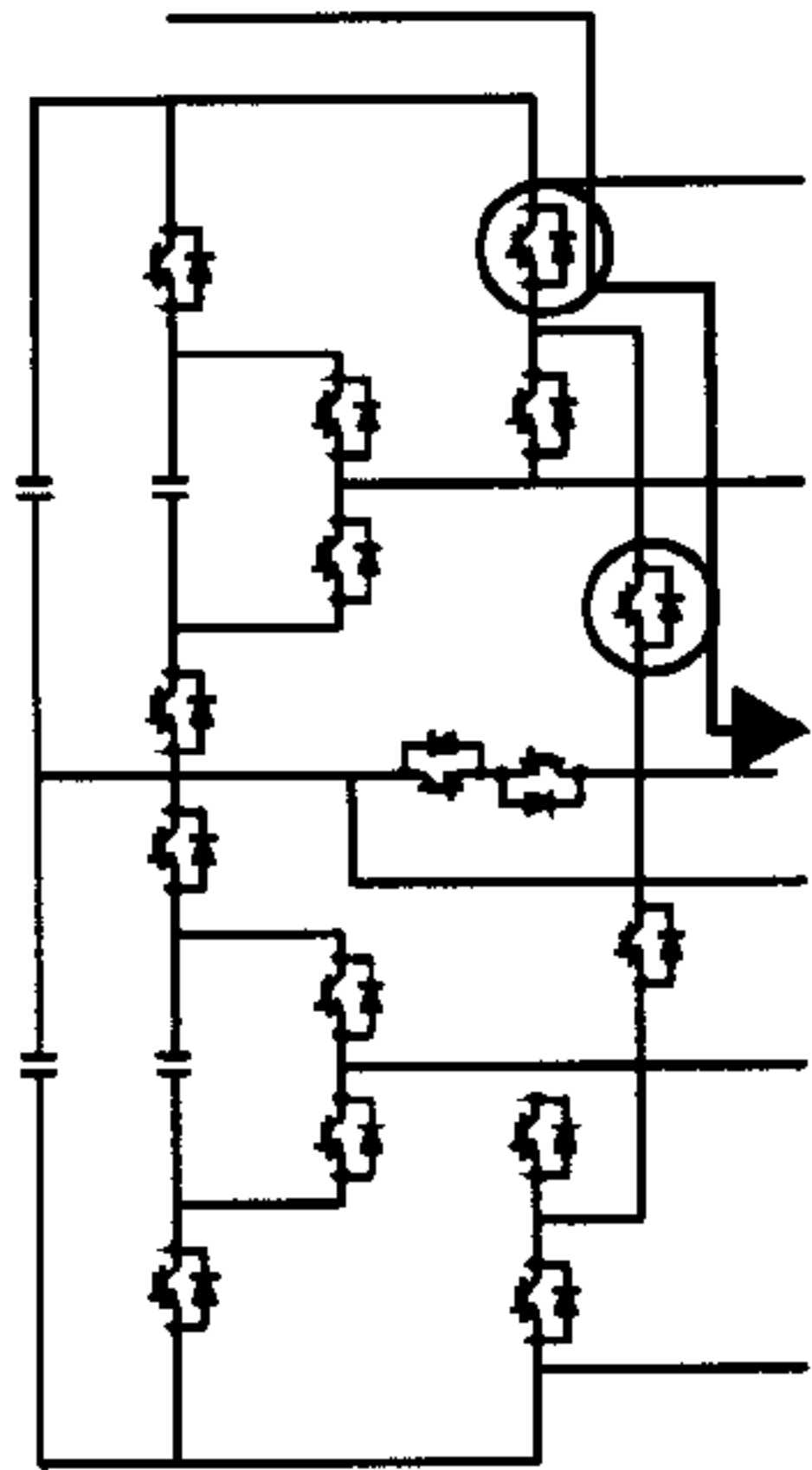


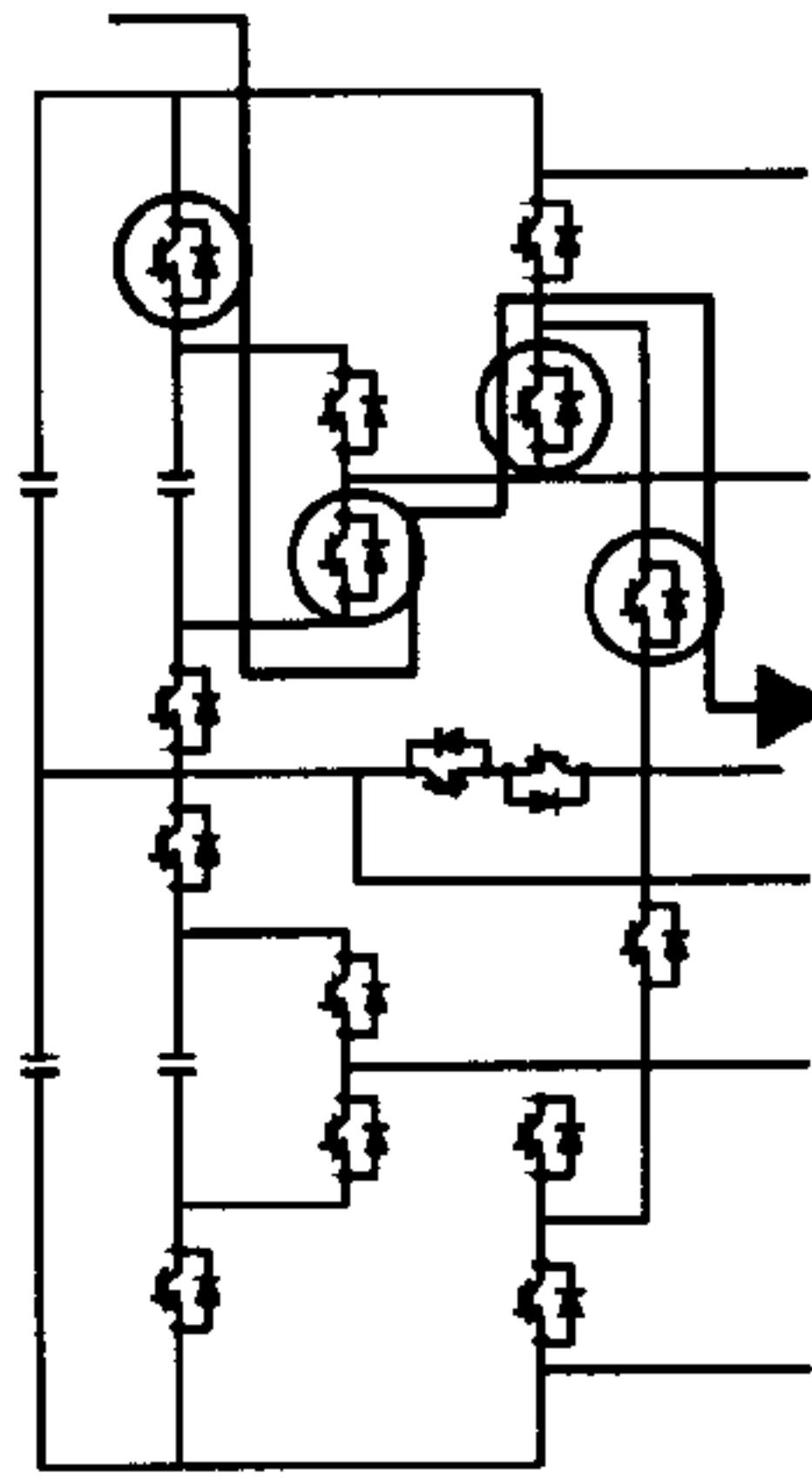
FIG. 25

FIG. 26a



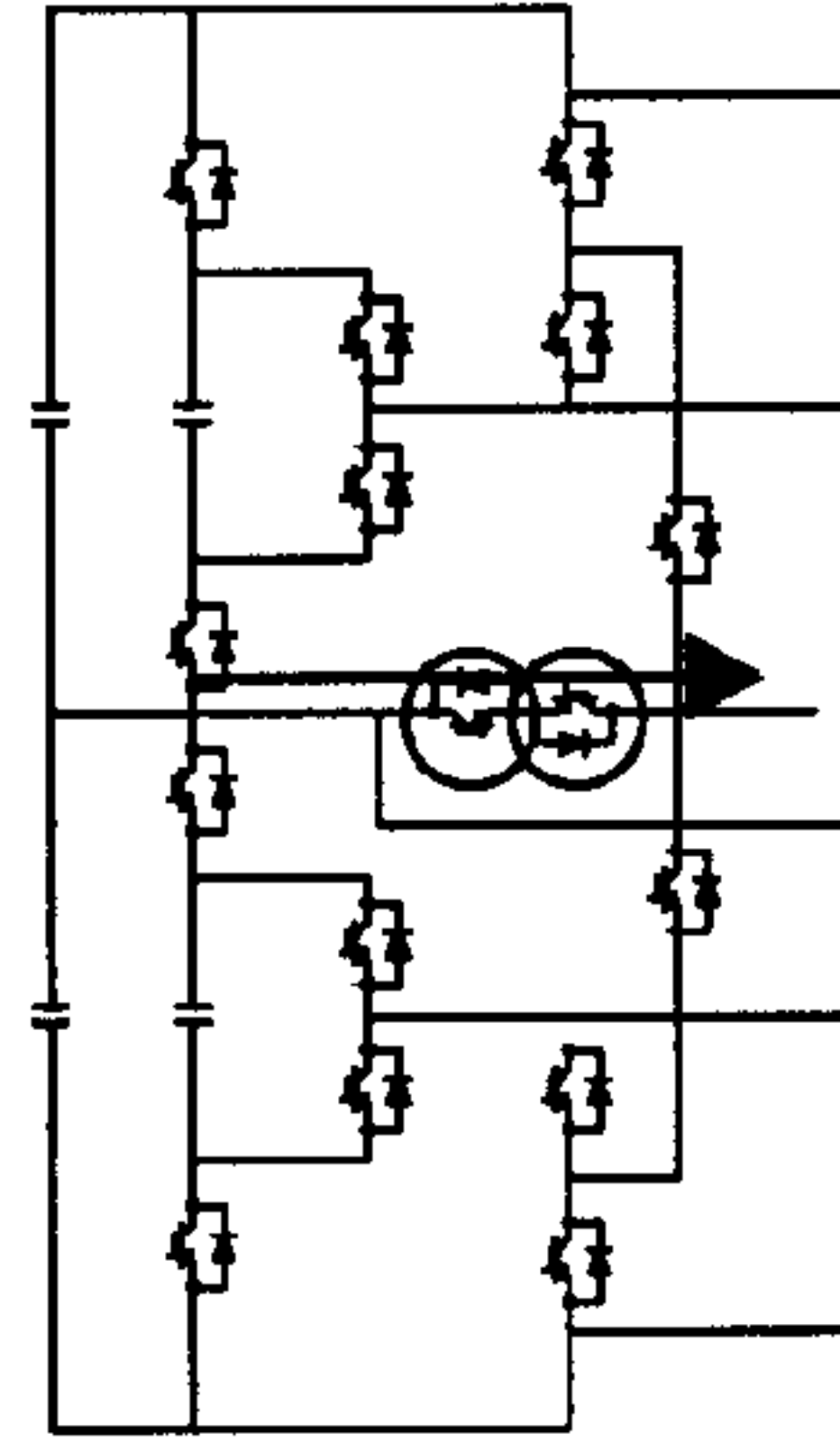
2E

FIG. 26b



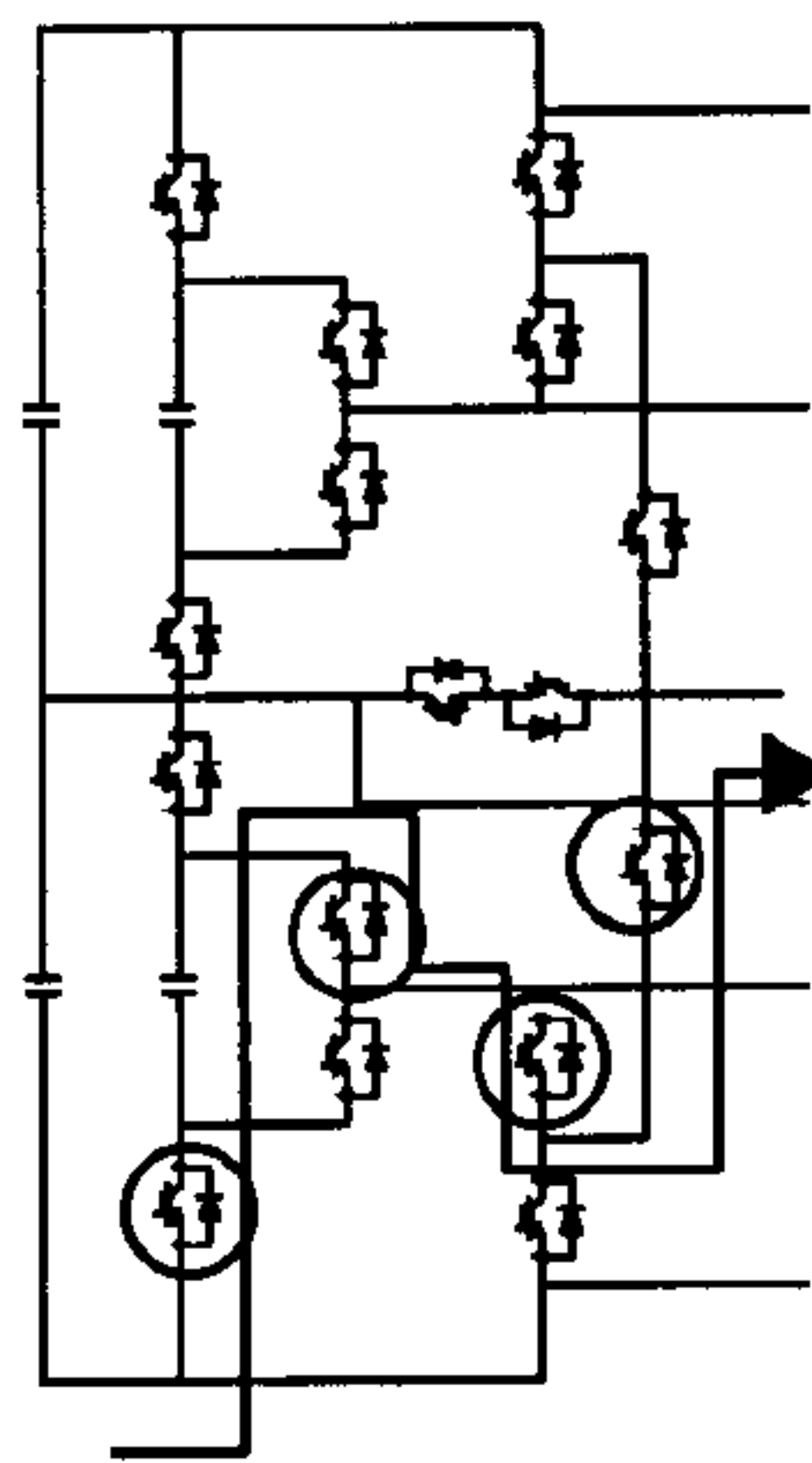
E

FIG. 26c



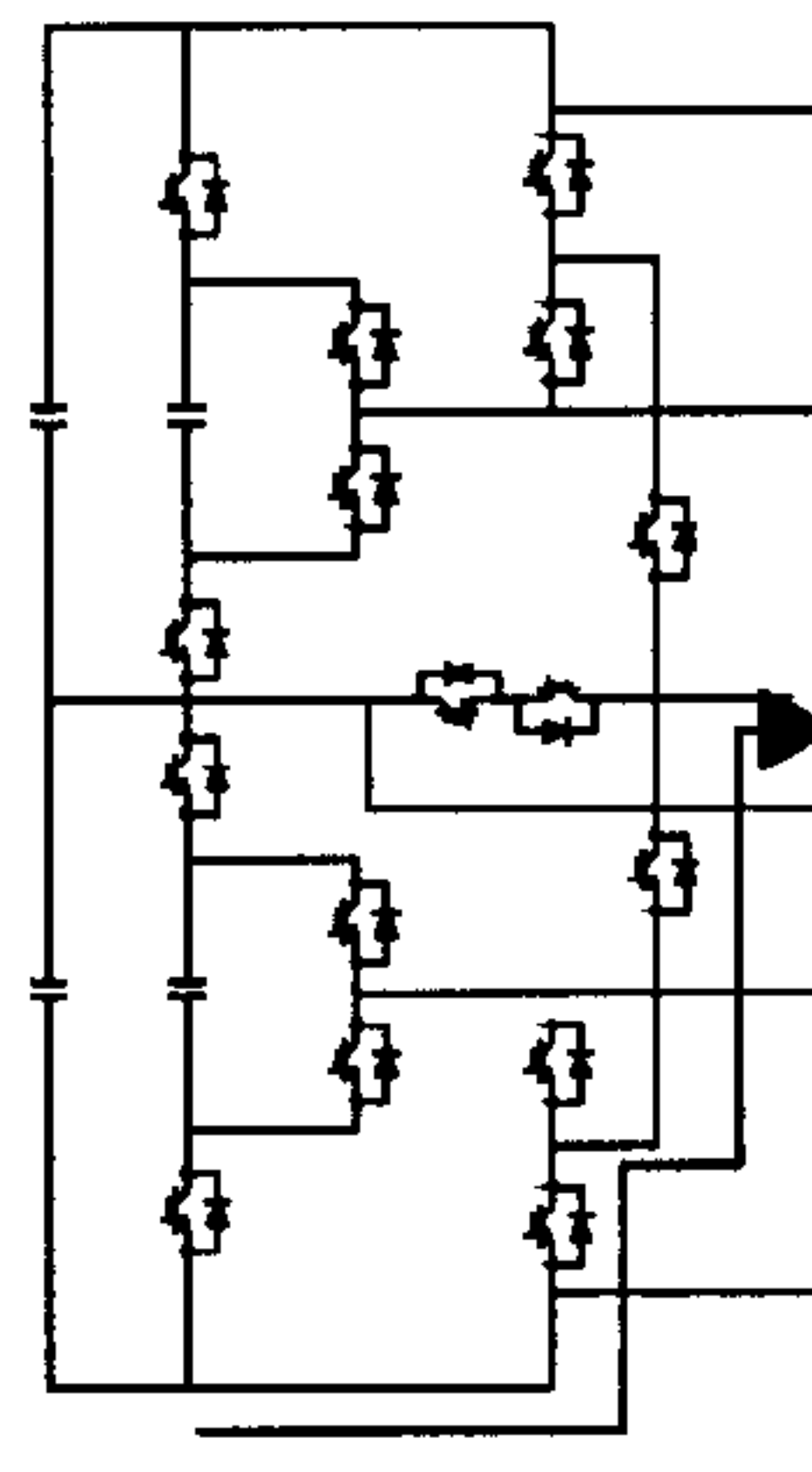
0

FIG. 26d



-E

FIG. 26e



-2E

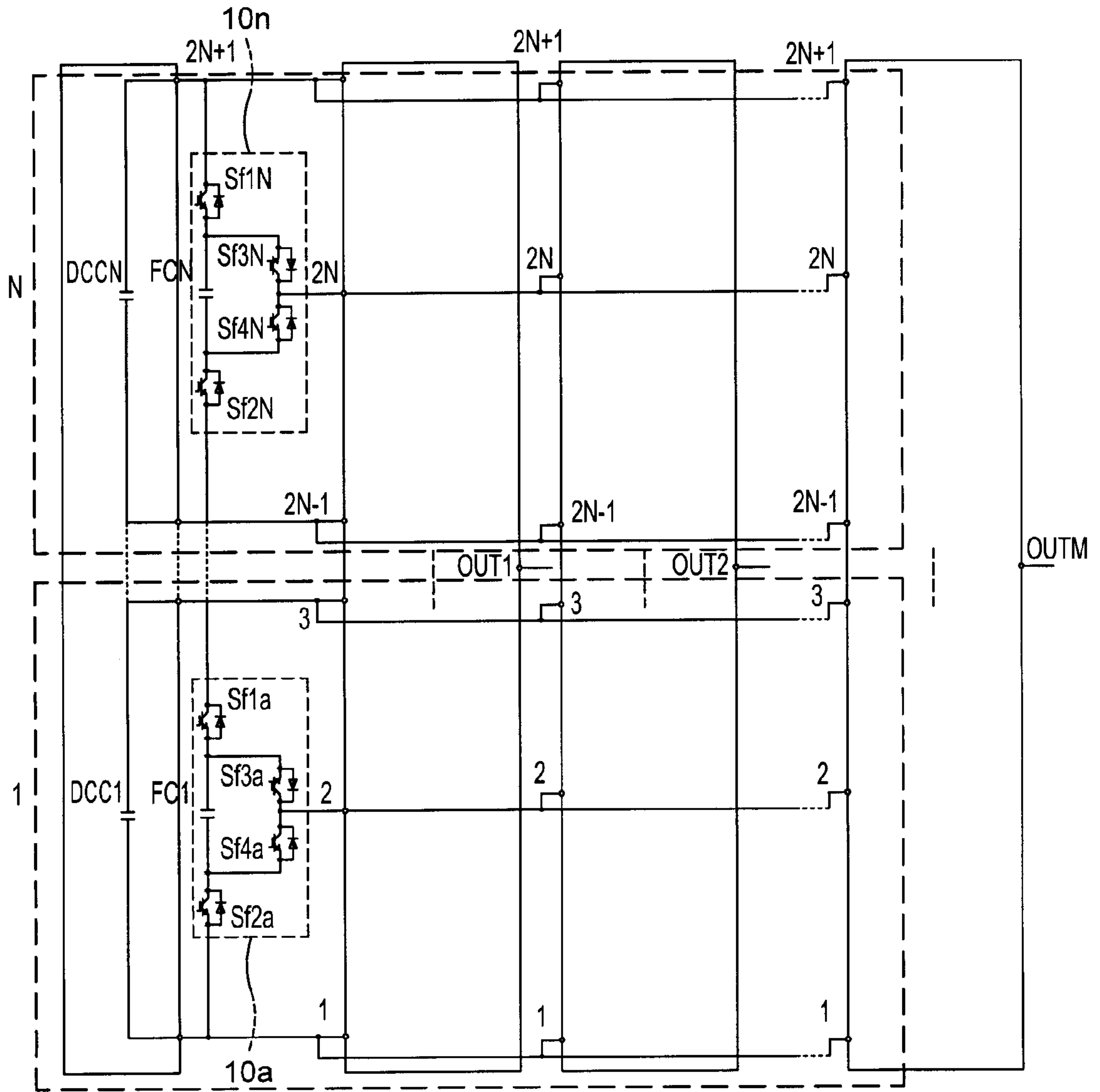


FIG. 27

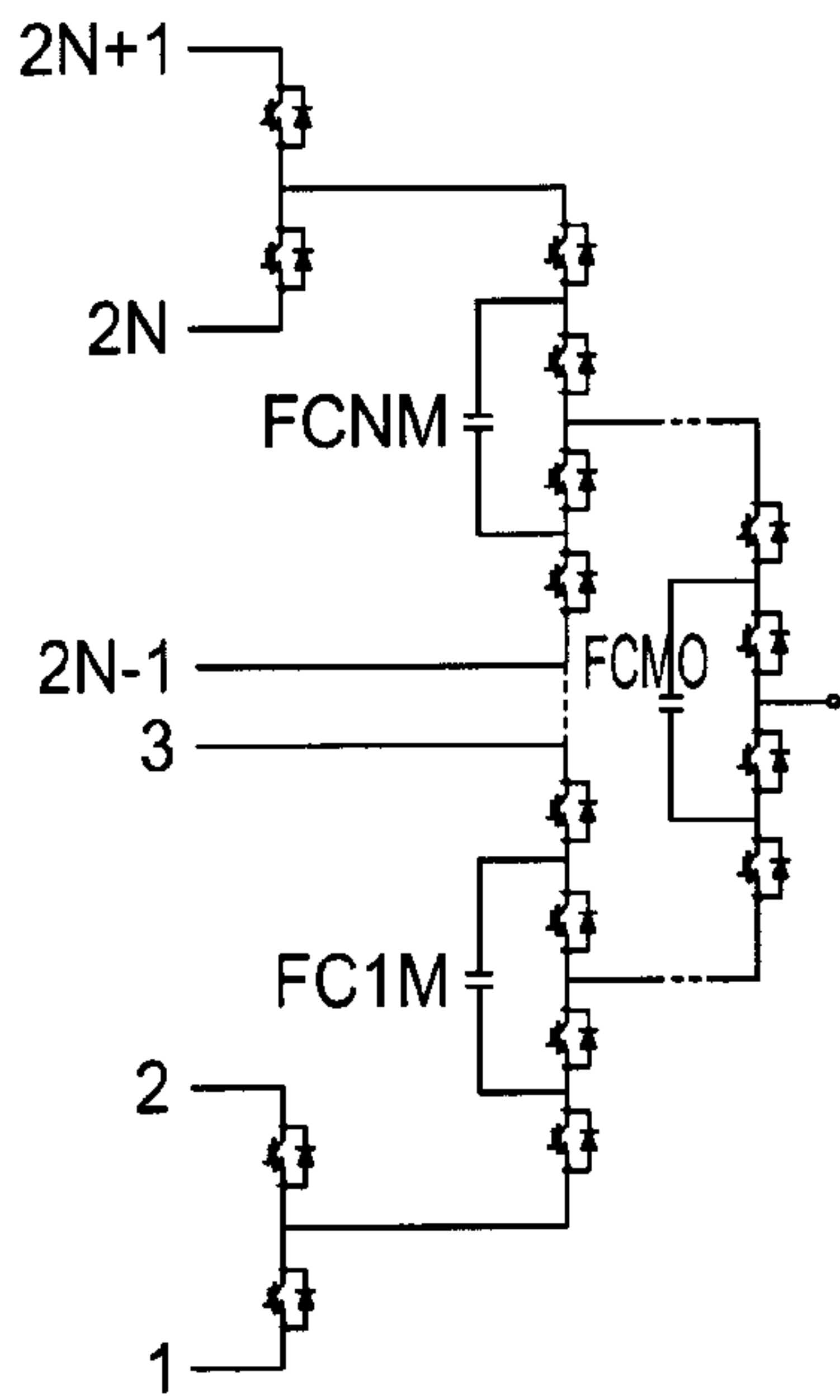


FIG. 28a

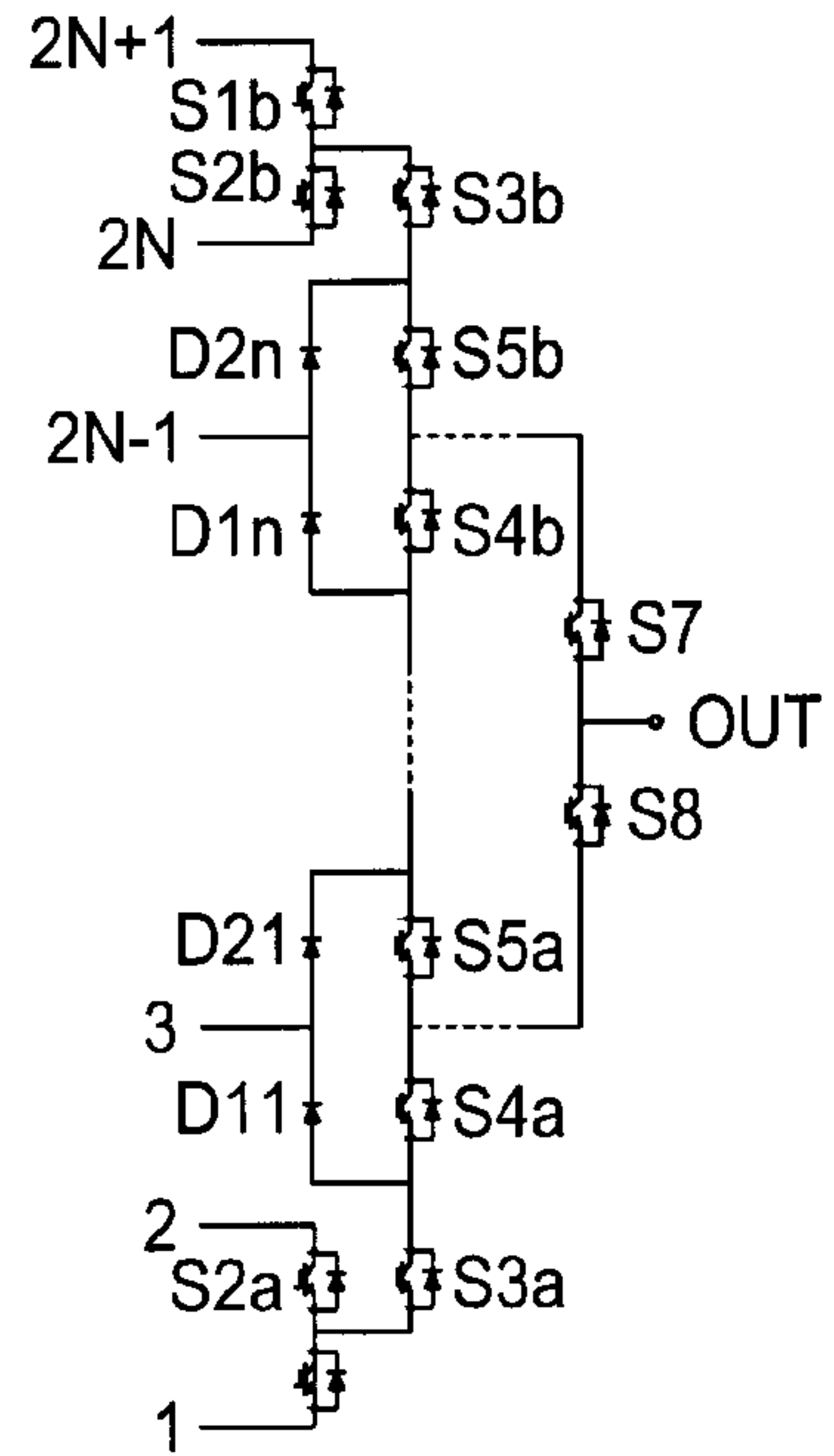


FIG. 28b

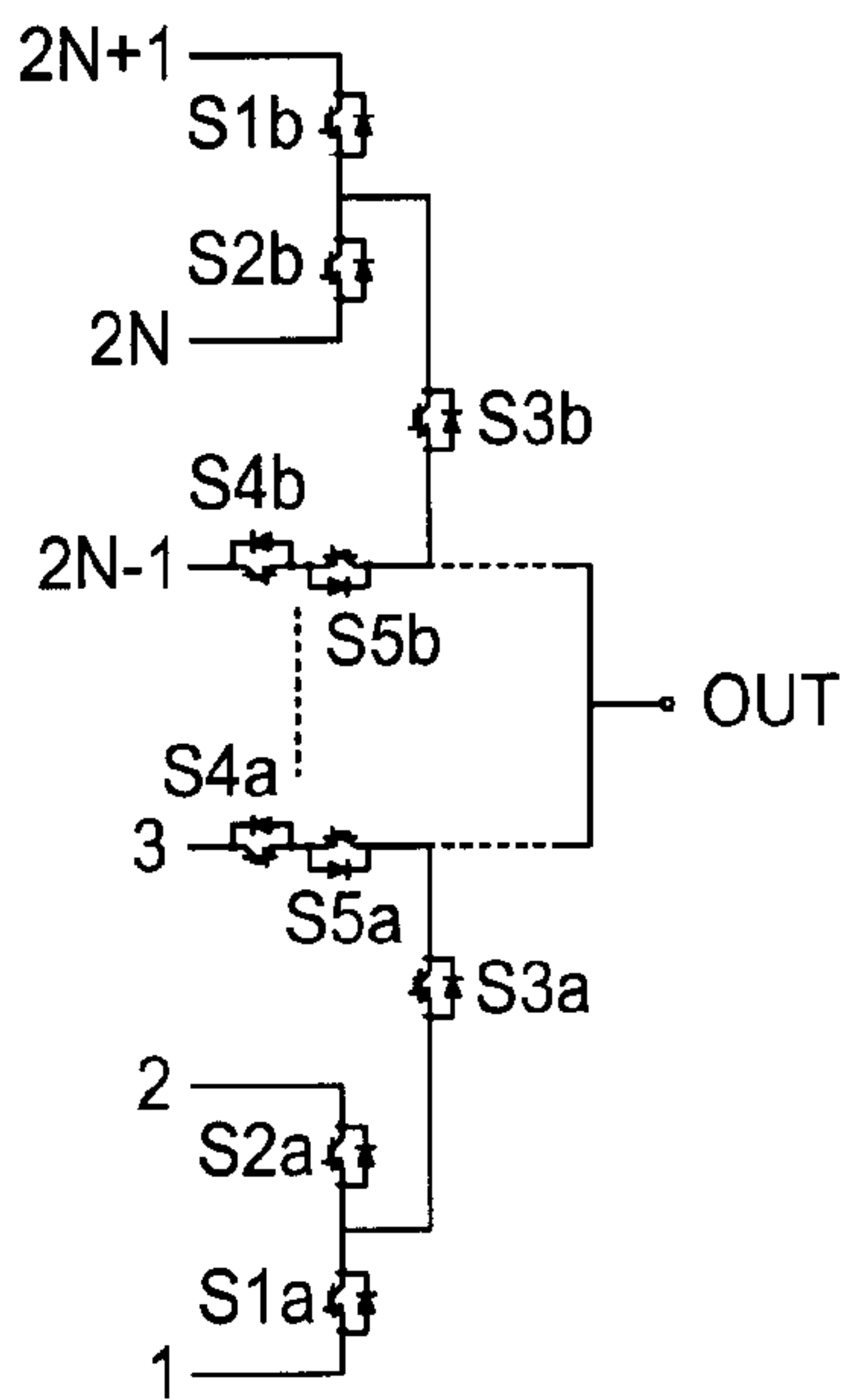


FIG. 28c

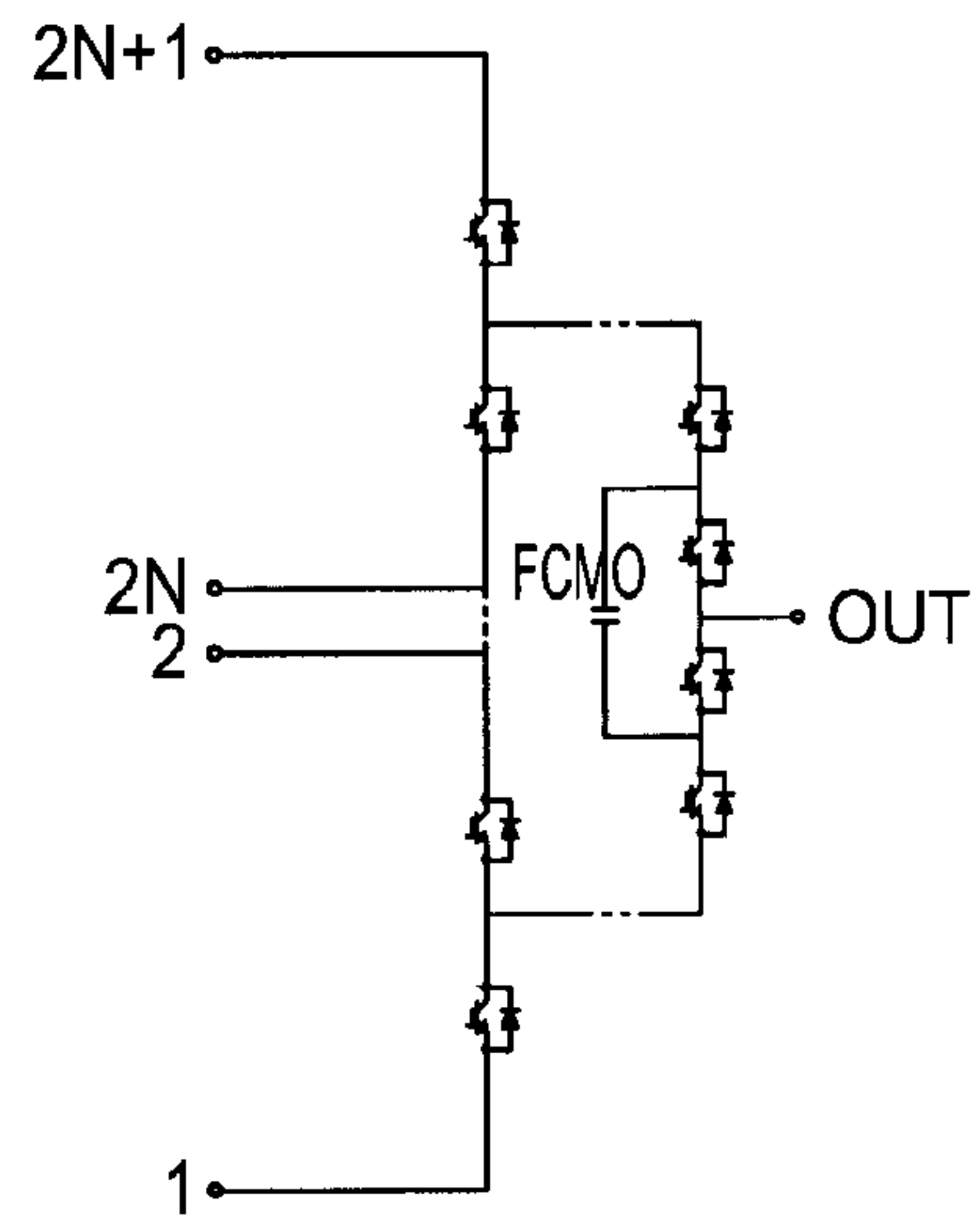


FIG. 28d

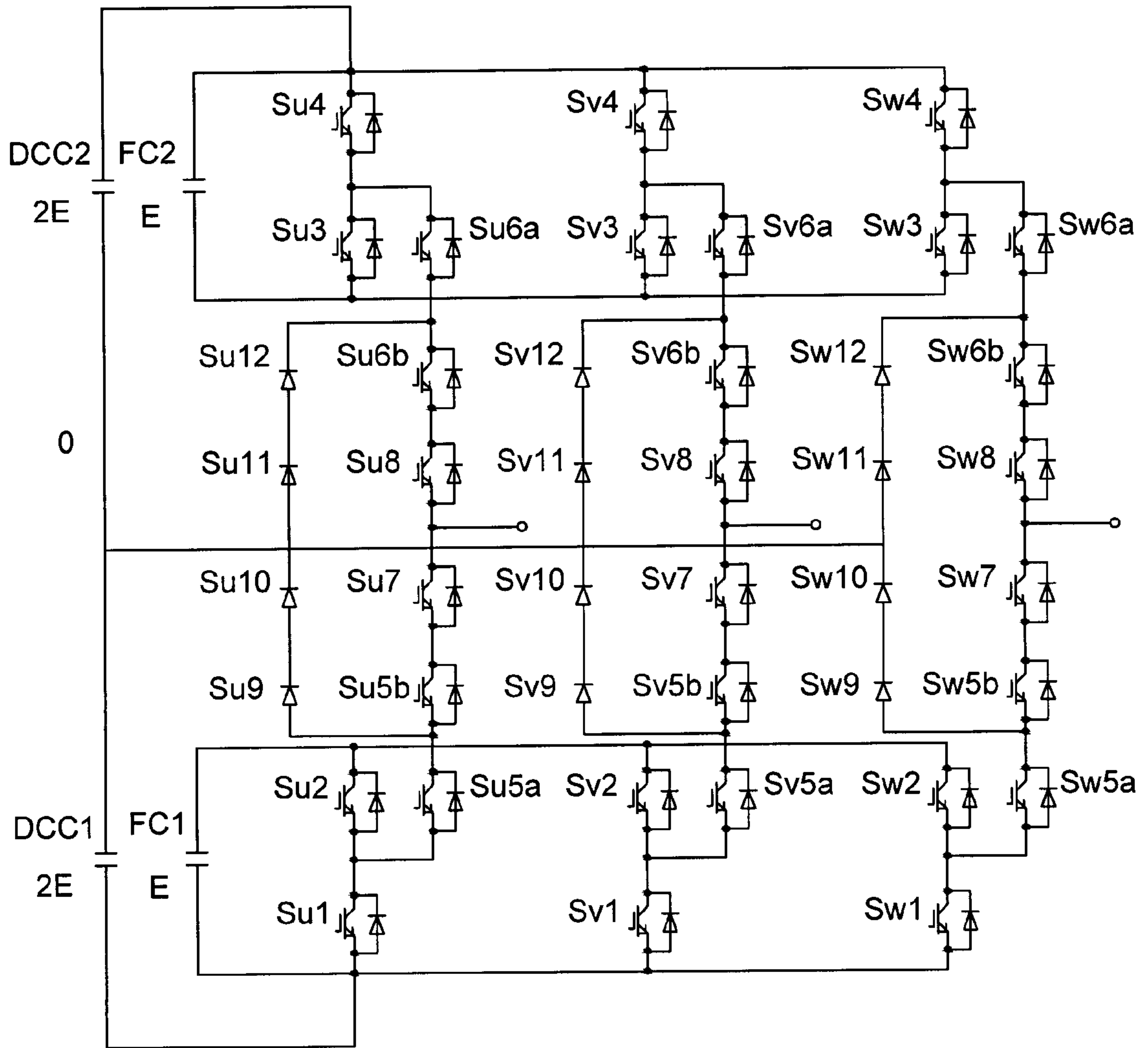


FIG. 29

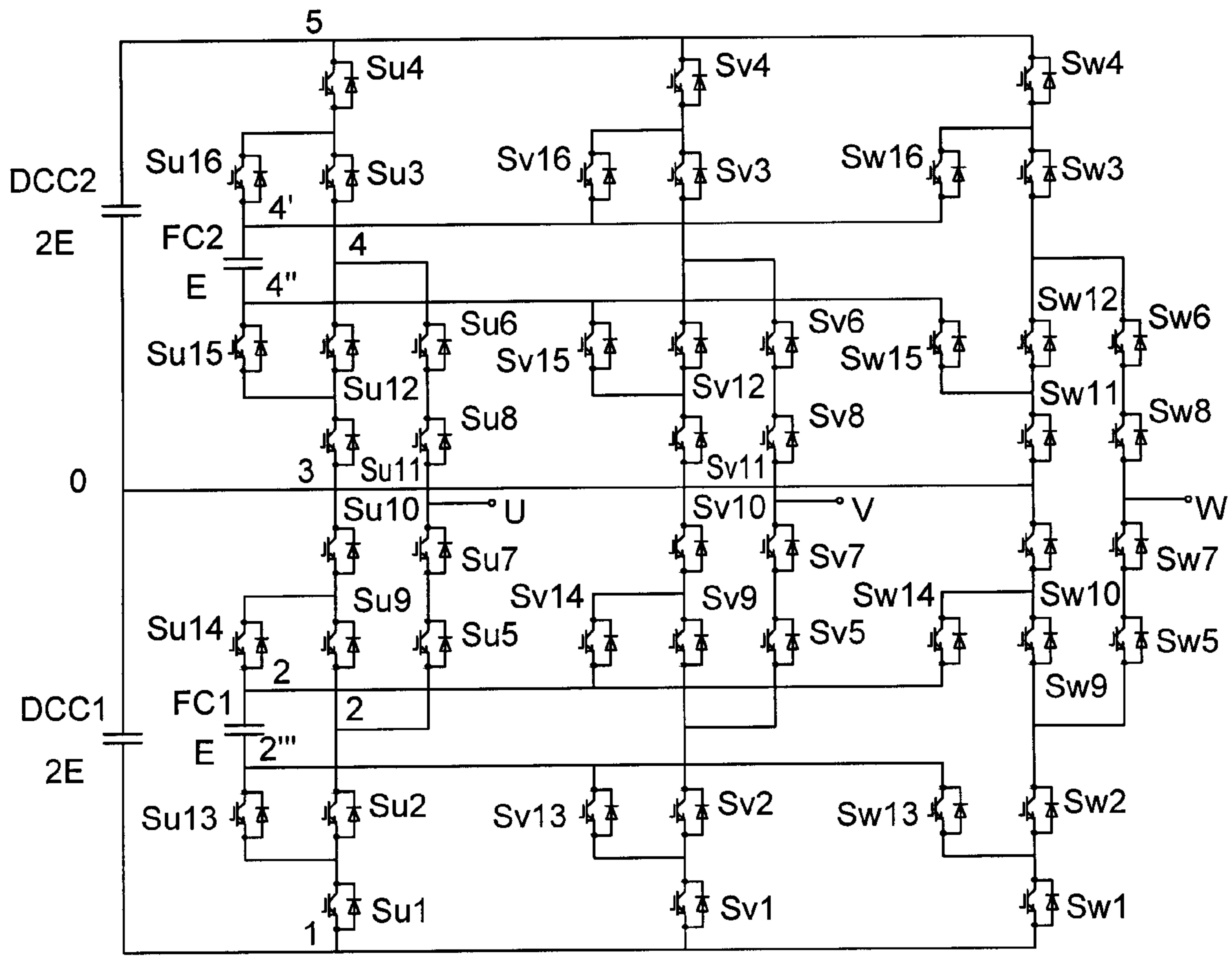


FIG. 30

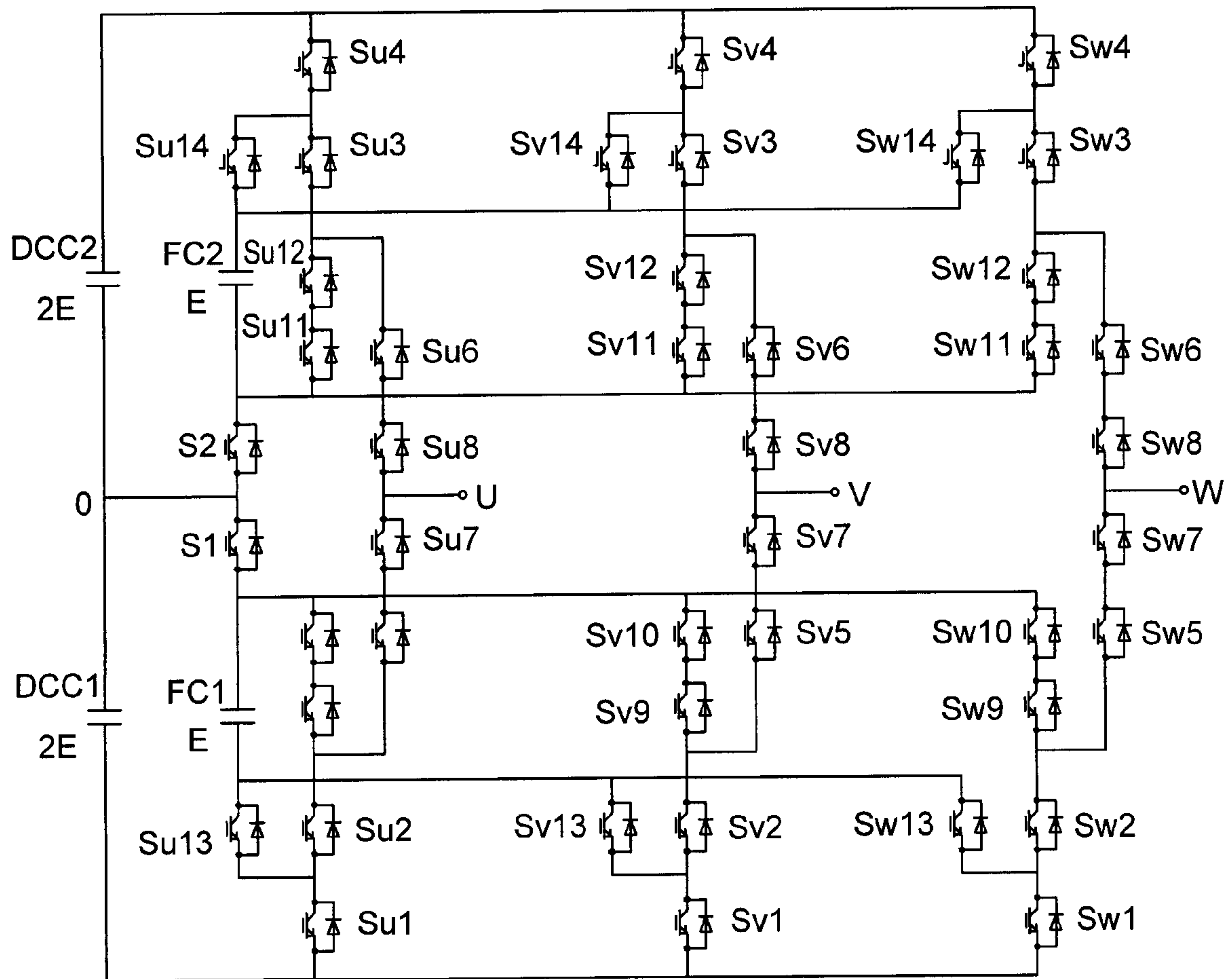


FIG. 31

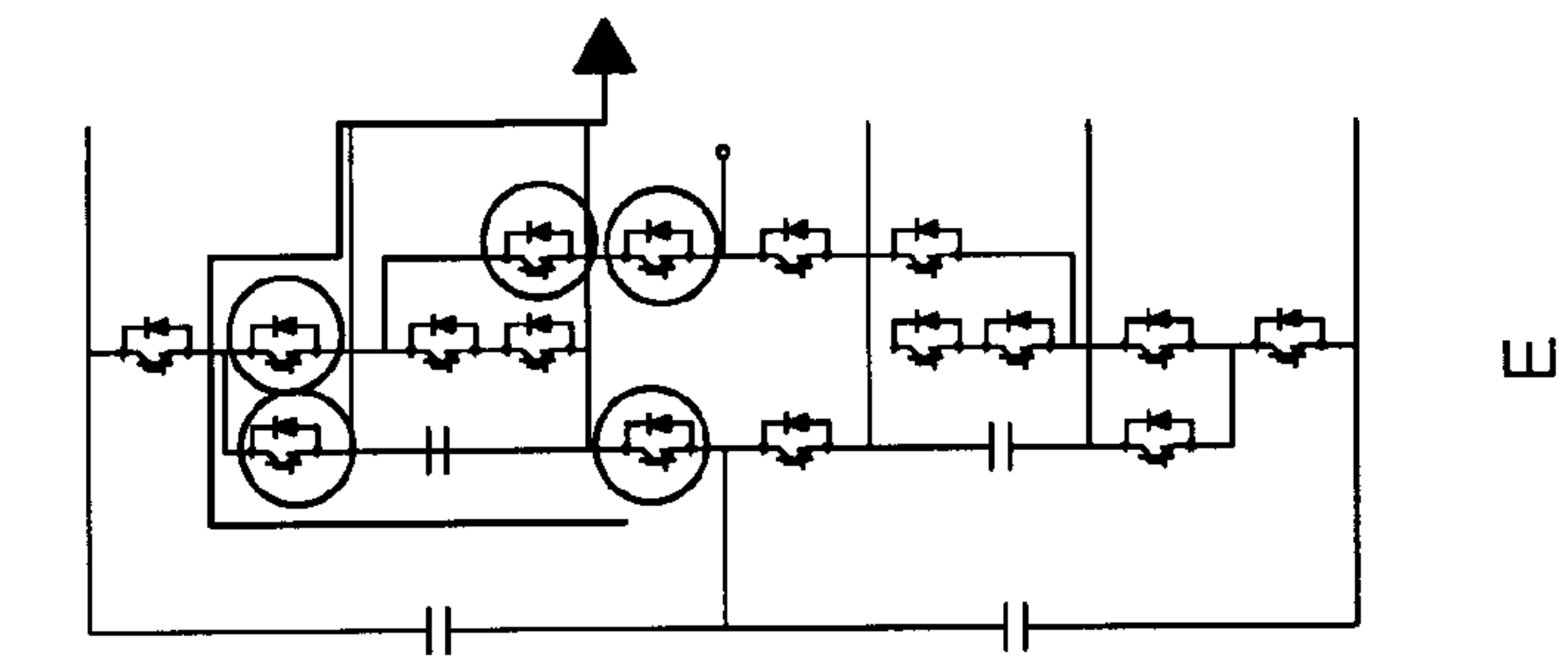


FIG. 32a

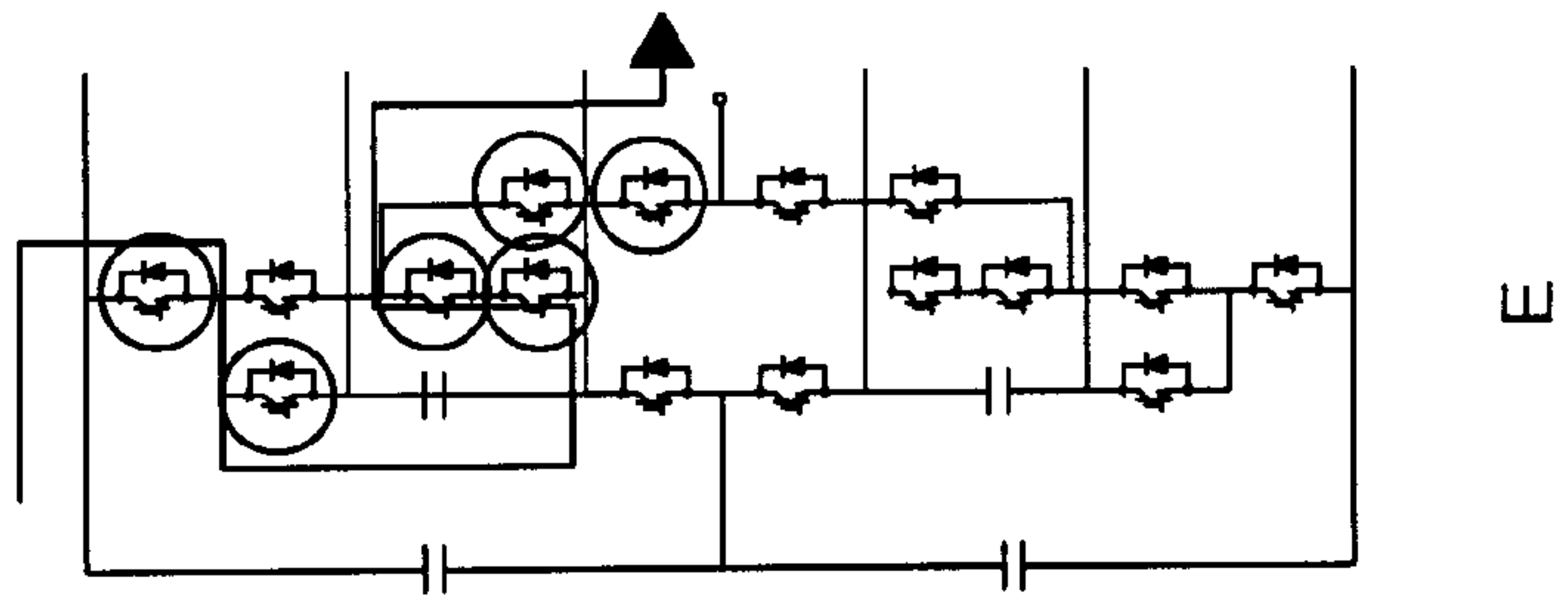


FIG. 32b

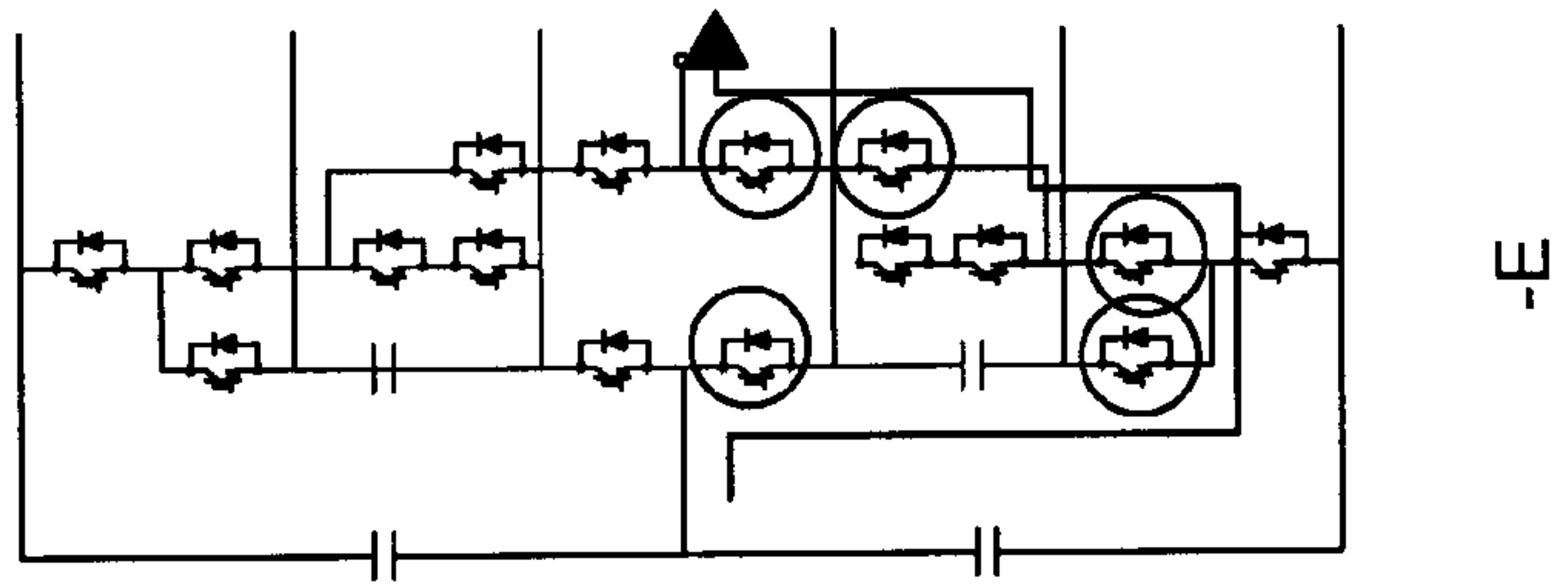


FIG. 32c

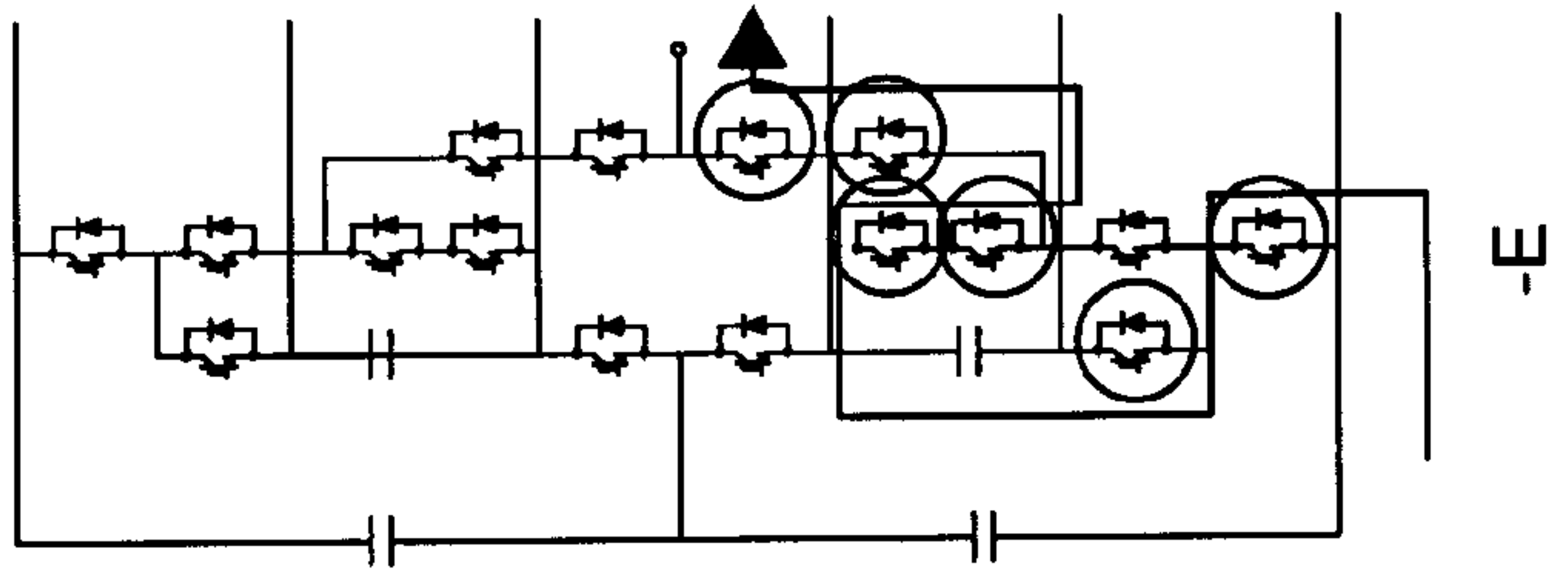


FIG. 32d

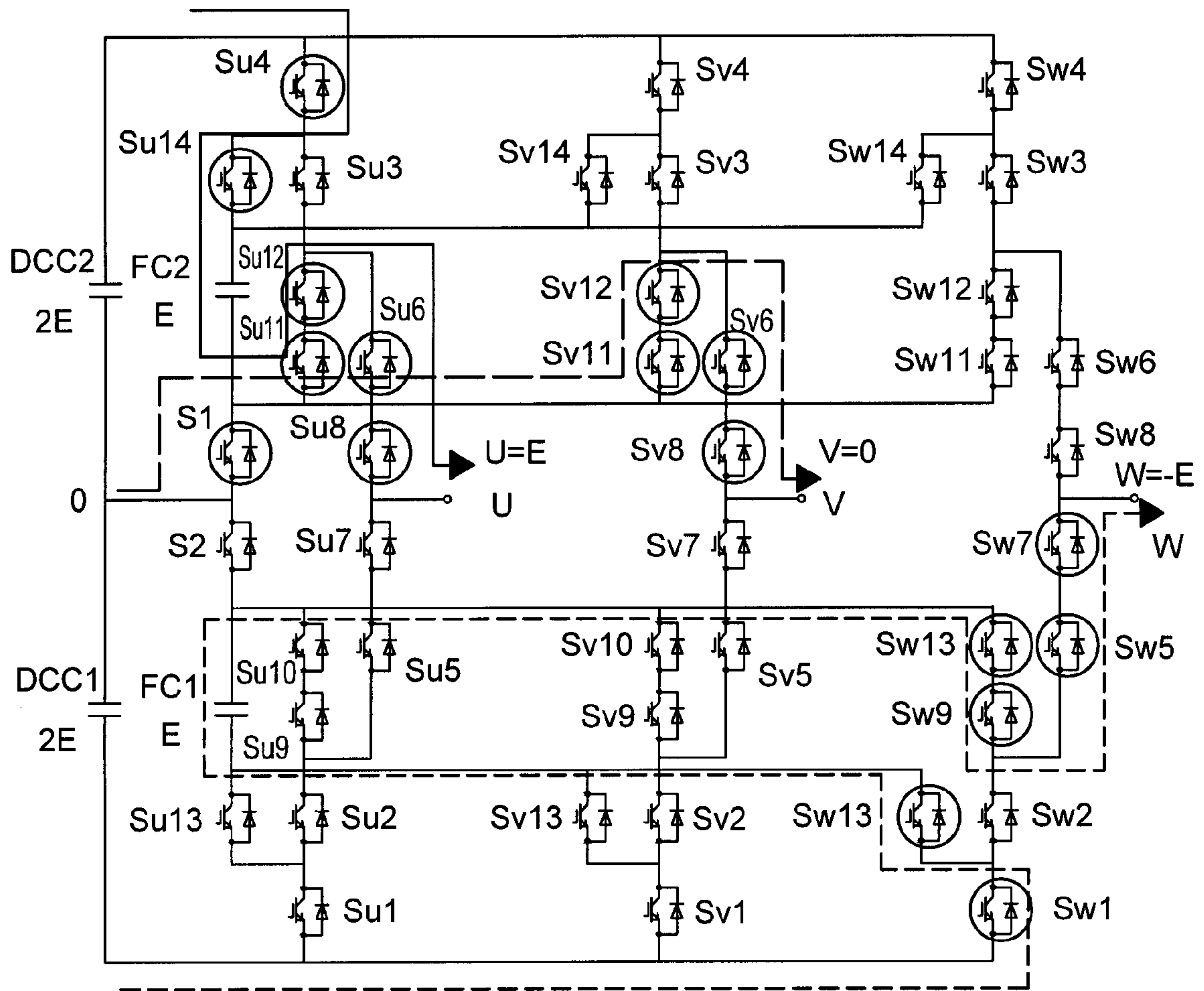


FIG. 33

