



US00D789496S

(12) **United States Design Patent**
Kuhlman

(10) **Patent No.:** **US D789,496 S**
(45) **Date of Patent:** **** Jun. 13, 2017**

- (54) **GARDEN VALVE MOUNT**
- (71) Applicant: **Timothy Kuhlman**, Lincoln, NE (US)
- (72) Inventor: **Timothy Kuhlman**, Lincoln, NE (US)
- (73) Assignee: **Whippet Innovations, LLC**, Lincoln, NE (US)
- (**) Term: **15 Years**

D516,678 S *	3/2006	Tripp	D23/245
D519,188 S *	4/2006	Hay	D23/233
D568,965 S *	5/2008	Johnson	D23/233
D637,696 S *	5/2011	Ball	D23/259
D678,477 S *	3/2013	Kuhlman	D23/238
D692,099 S *	10/2013	Freeth	D23/233
D692,100 S *	10/2013	Freeth	D23/233
2013/0292597 A1 *	11/2013	Liang	E03C 1/0404 251/356

- (21) Appl. No.: **29/540,117**
- (22) Filed: **Sep. 21, 2015**
- (51) **LOC (10) Cl.** **23-01**
- (52) **U.S. Cl.**
USPC **D23/259**
- (58) **Field of Classification Search**
USPC D23/259, 262-266, 233, 235, 238, 249,
D23/255, 241, 245, 247
CPC F17C 13/04; F16L 41/06; F16K 31/52408;
F16K 5/0647; F16K 43/00; E03C 1/04;
E03C 1/0401; E03C 1/0404; E03C 1/042;
E03C 1/122; E03D 3/06; E03F 7/04
See application file for complete search history.

* cited by examiner

Primary Examiner — Eric Goodman
Assistant Examiner — Amy Wierenga
 (74) *Attorney, Agent, or Firm* — Suiter Swantz pc llo

- (56) **References Cited**
U.S. PATENT DOCUMENTS
D179,145 S * 11/1956 Mueller D23/245
D318,319 S * 7/1991 Rokita D23/238
5,090,743 A * 2/1992 Obering B21C 37/29
285/133.21
D412,561 S * 8/1999 Voo D23/245
D477,655 S * 7/2003 Paine D23/245

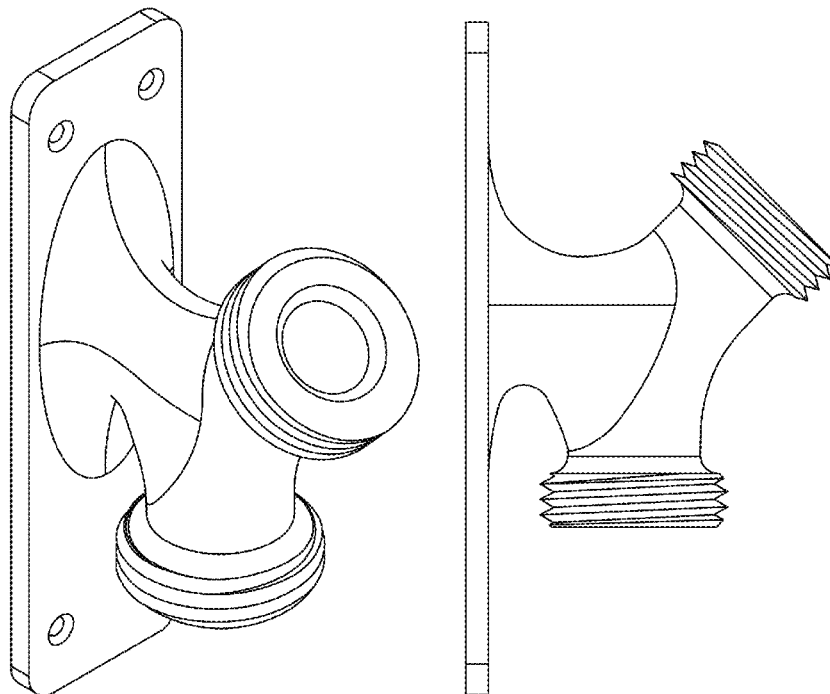
(57) **CLAIM**

The ornamental design for a garden valve mount, as shown and described.

DESCRIPTION

FIG. 1 is a perspective view showing my new design;
 FIG. 2 is a front view thereof;
 FIG. 3 is a back plan view thereof;
 FIG. 4 is a side plan view thereof;
 FIG. 5 is a second side plan view thereof;
 FIG. 6 is a top elevational view thereof; and,
 FIG. 7 is a bottom elevational view thereof.
 The dashed broken lines depict portions of the article that form no part of the claim.

1 Claim, 7 Drawing Sheets



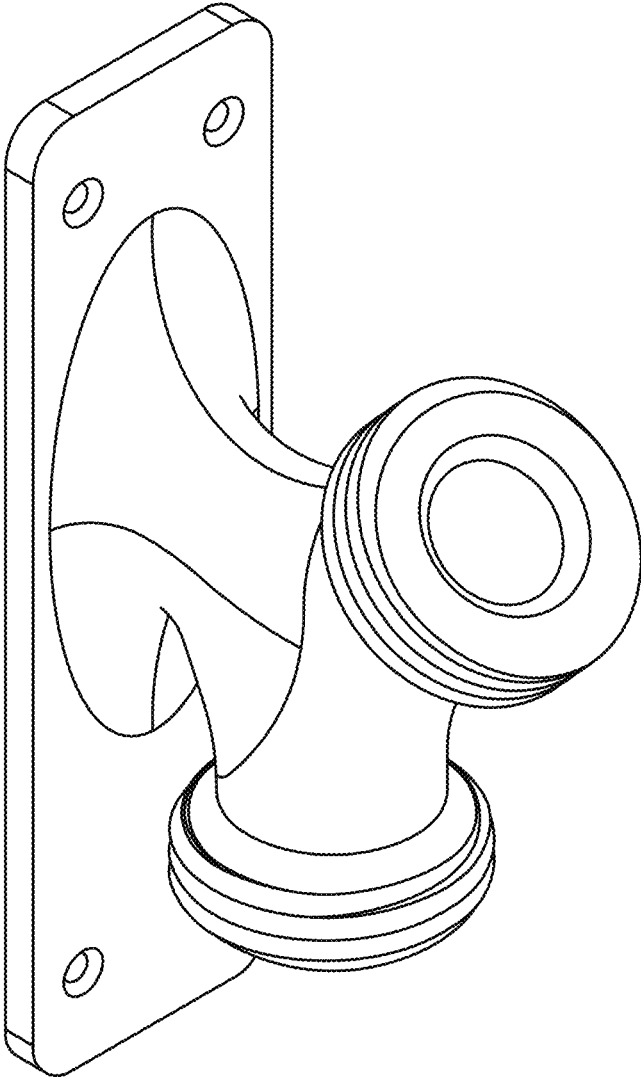


FIG.1

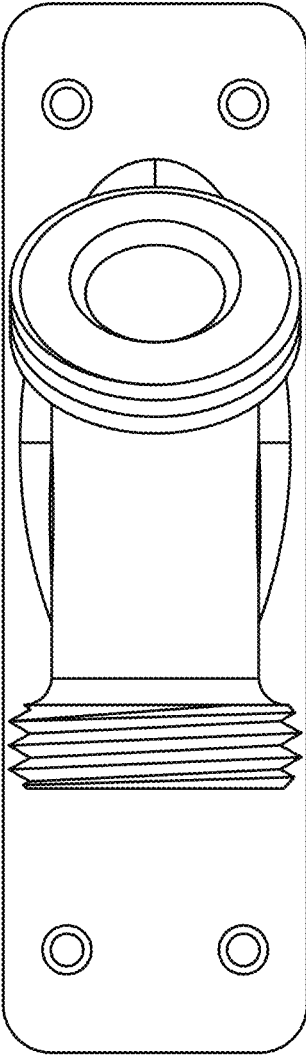


FIG.2

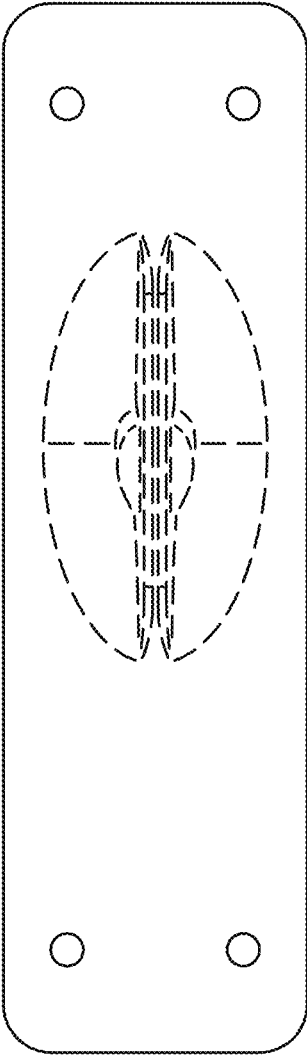


FIG.3

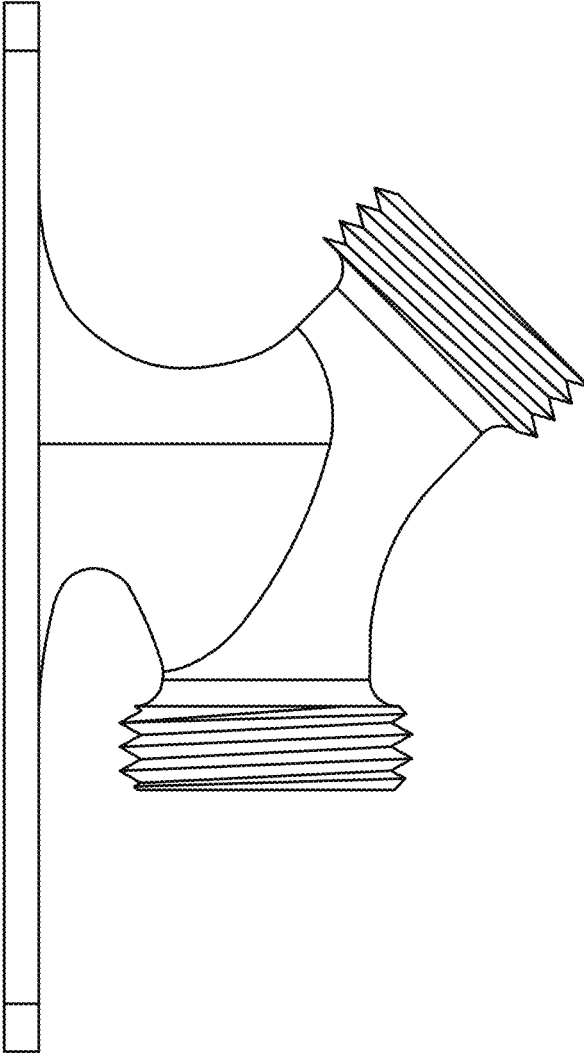


FIG.4

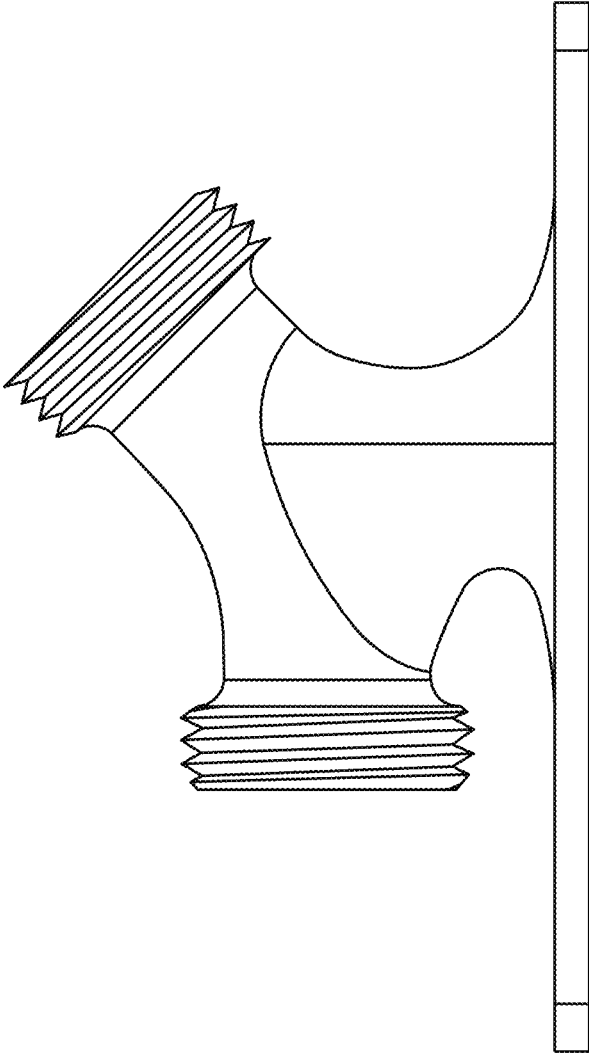


FIG.5

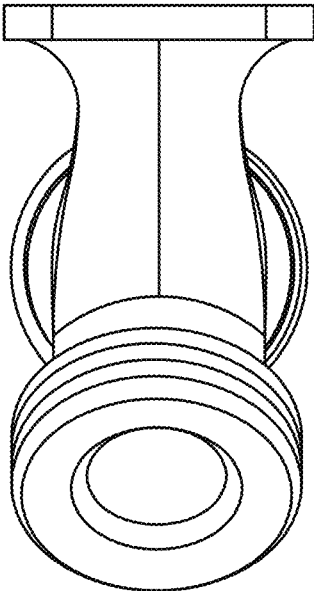


FIG.6

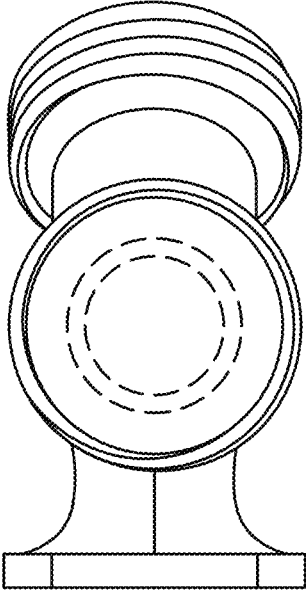


FIG.7