

[54] **JUICE EXTRACTOR**

[75] **Inventor: Salvador B. Bulto, Barcelona, Spain**

[73] **Assignee: Moulinex, Societe Anonyme, Bagnolet, France**

[**] **Term: 14 Years**

[21] **Appl. No.: 655,914**

[22] **Filed: Sep. 28, 1984**

[30] **Foreign Application Priority Data**

Apr. 9, 1984 [FR]	France	841630
Sep. 6, 1984 [FR]	France	843906
[52] U.S. Cl.		D7/49
[58] Field of Search	D7/48, 49; 99/501-506,	99/508

[56] **References Cited**

U.S. PATENT DOCUMENTS

D. 255,005	5/1980	Fuchs	D7/49
1,141,834	6/1915	Schatteman	99/508
1,962,856	6/1934	Benson	99/501

FOREIGN PATENT DOCUMENTS

2054362 2/1981 United Kingdom 99/506

OTHER PUBLICATIONS

Bloomington Supplement, 4/78, p. 18, item 5, Citrus Juicer.

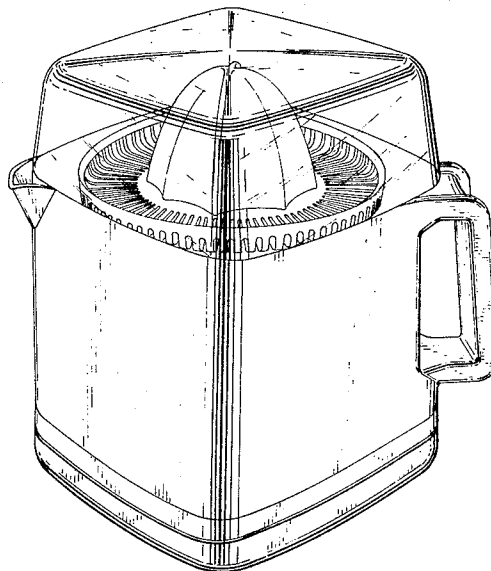
Primary Examiner—Bernard Ansher
Assistant Examiner—Terry Pfeffer
Attorney, Agent, or Firm—Young & Thompson

[57] **CLAIM**

The ornamental design for a juice extractor, as shown and described.

DESCRIPTION

FIG. 1 is a perspective view of a juice extractor showing my new design;
FIG. 2 is a front elevational view thereof, the rear elevational view being a mirror image;
FIG. 3 is a left-side elevational view thereof;
FIG. 4 is a right-side elevational view thereof;
FIG. 5 is a top plan view thereof;
FIG. 6 is a bottom plan view thereof; and
FIG. 7 is a side elevational view, as seen from arrow VII of FIG. 5.



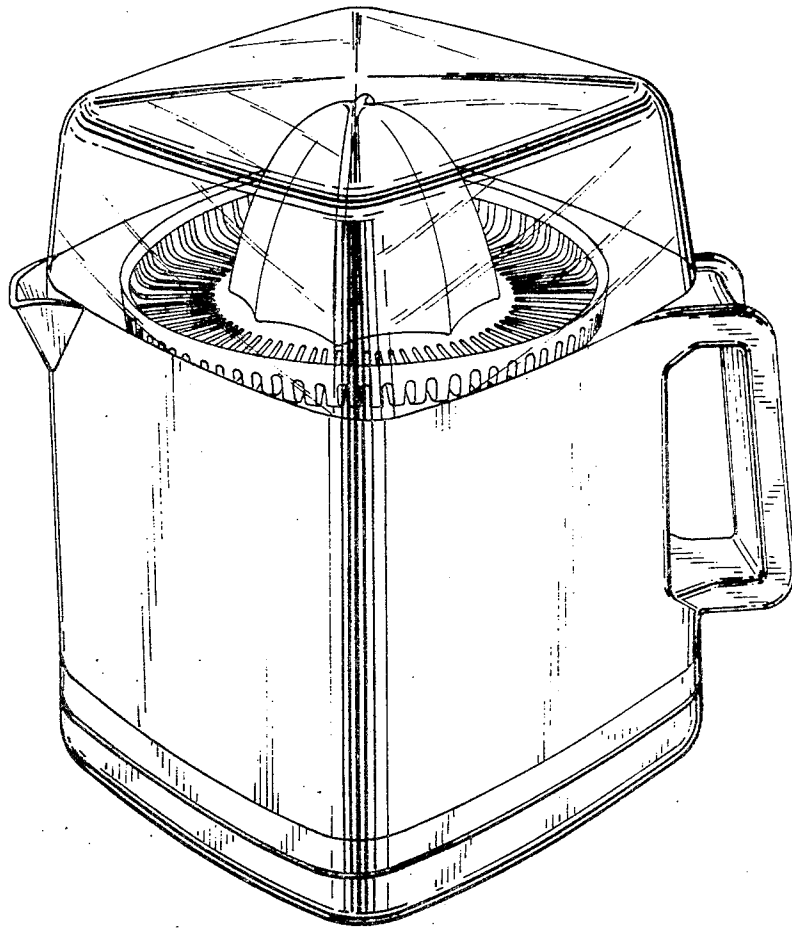


FIG. 1

FIG. 2

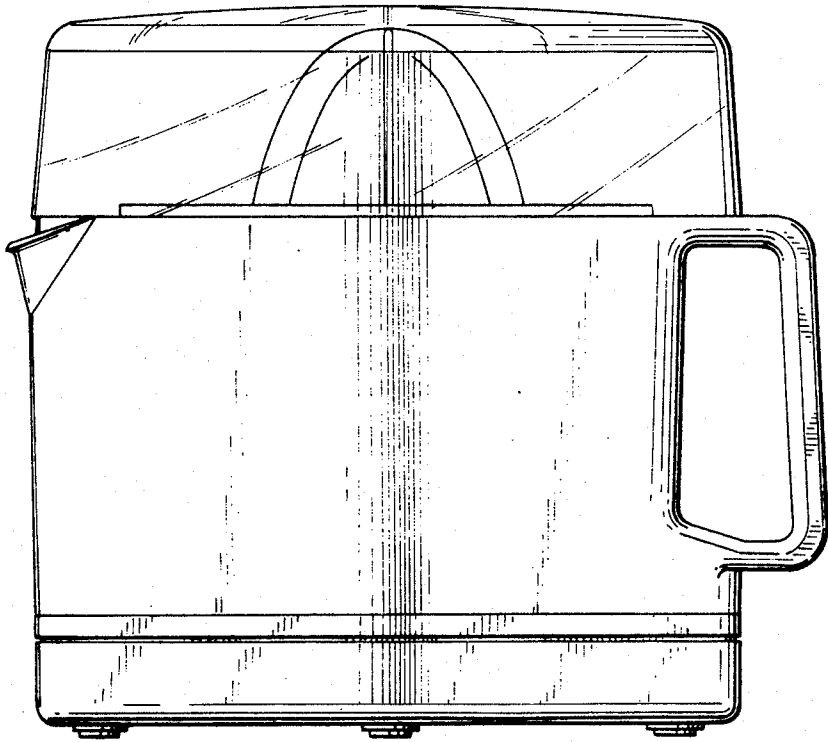


FIG. 3

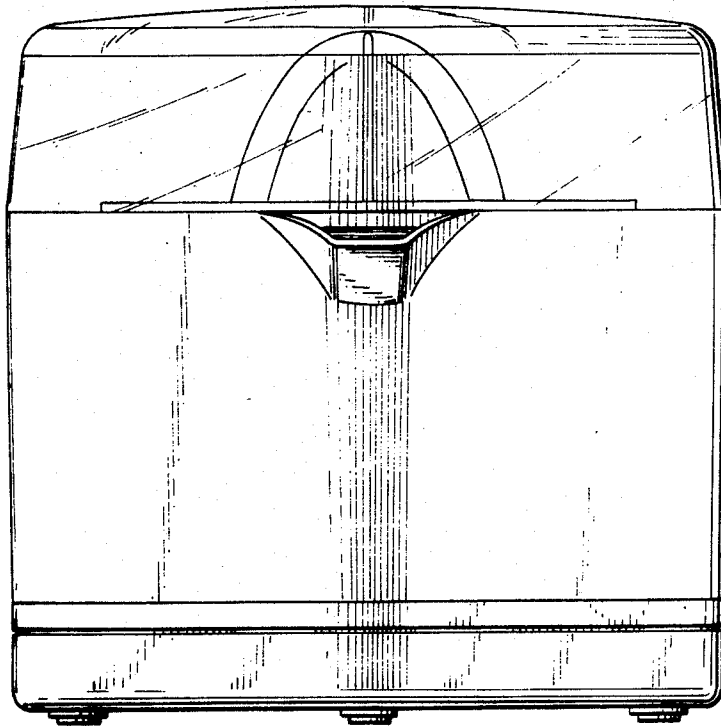


FIG. 4

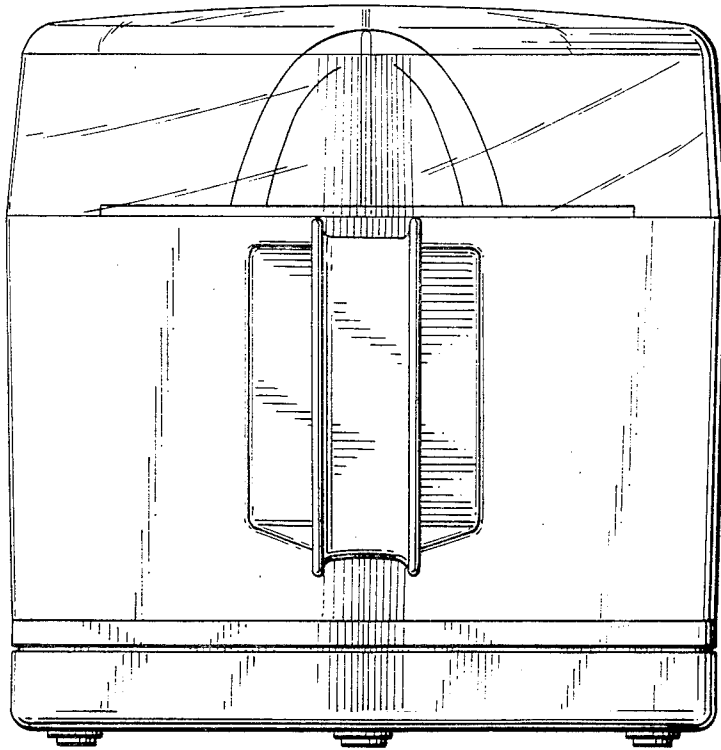


FIG. 5

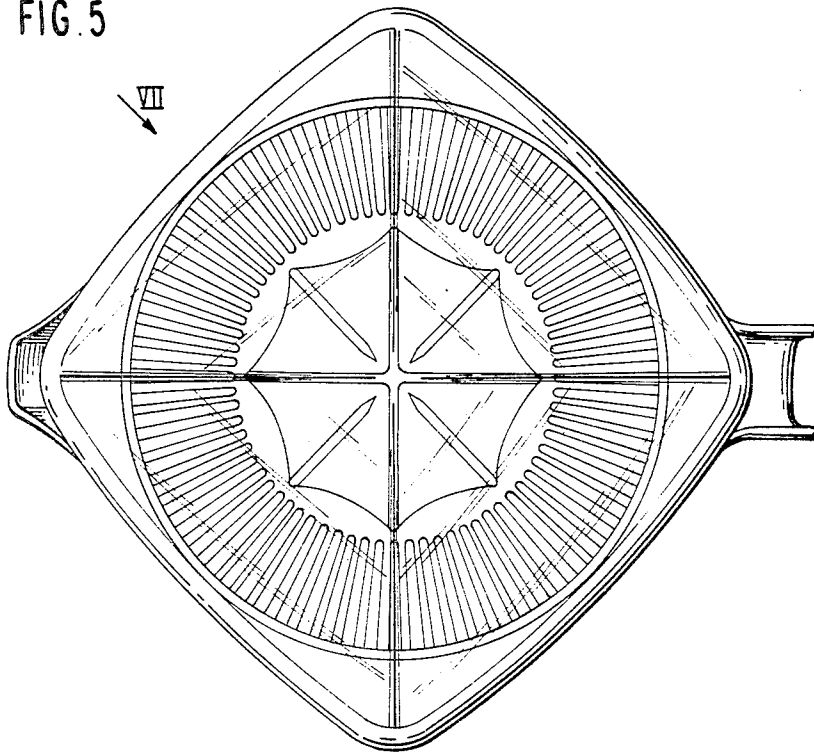


FIG. 6

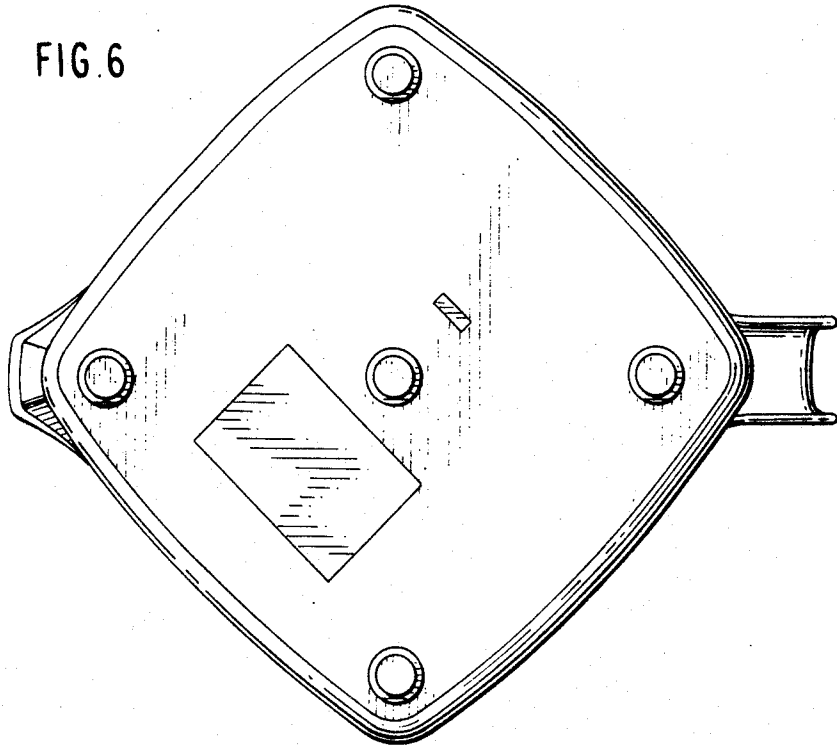
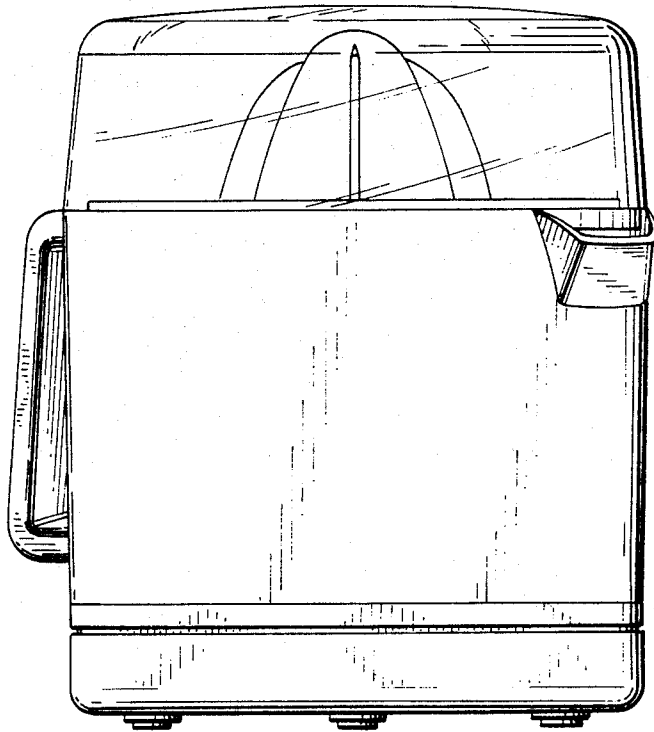


FIG. 7



UNITED STATES PATENT AND TRADEMARK OFFICE
CERTIFICATE OF CORRECTION

PATENT NO. : Des. 290,329
DATED : June 16, 1987
INVENTOR(S) : Salvador BIARNES BULTO

It is certified that error appears in the above—identified patent and that said Letters Patent is hereby corrected as shown below:

In the inventor's name, as it appears under item 19,
change "Bulto" to --Biarnes Bulto--.

In the heading of the patent, item 75, change "Salvador
B. Bulto" to --Salvador Biarnes Bulto--.

Signed and Sealed this
Twenty-ninth Day of September, 1987

Attest:

Attesting Officer

DONALD J. QUIGG

Commissioner of Patents and Trademarks